



JP54-056

# TAILGATE REINFORCEMENT

INSTALLATION INSTRUCTIONS



## DISASSEMBLY

**STEP 1:** Make sure your Jeep is on level ground and not facing uphill.

**STEP 2:** Remove spare tire from spare carrier.

**STEP 3:** Remove plastic cover which hides the third brake light connection. Disconnect third brake light wires from the inside of the tailgate and push them through to the outside of the tailgate, then unbolt and remove spare tire carrier (1/2" socket).

**STEP 4:** Remove spare tire snubber bumpers (Torx 30).

**STEP 5:** Remove plastic hinge covers and then remove hinges (Torx 40 or 1/2" socket depending on model year).

**NOTE:** Early models use Torx screws with a thread locking compound that can be difficult to remove without stripping the heads. Heating the bolt head should soften the locking compound, allowing easier removal.

**STEP 6:** As long as the tailgate is latched, it should stay in place with the hinges removed and the Jeep is on level ground.

**NOTE:** For **2002 and older** models, the hinge bolts for the tub side thread into loose backer plates. The upper plate will not be re-used. Instead, the roll bar bracket will take its place and the provided nuts will be used to tighten the bolts. The backer plate for the lower hinge will be re-used. The inside of the tub can be accessed through the rear passenger side wheel well.

### Tools Needed

- 1/2" Open Wrench
- Allen Wrench Set
- 1/2" Socket (deep well or extension will be needed)
- Torx 30, 40, 45, and 47 Bit/Screwdriver
- 3/16" or 5mm Wrench (depending on the model year)

MORryde

HEAVY. DUTY. ADVENTURE.

MORryde.com • 574.293.1581



JP54-056

# TAILGATE REINFORCEMENT

INSTALLATION INSTRUCTIONS



## ASSEMBLY

**STEP 1:** Pull back the carpet on the inside of the tub near the upper hinge mount location to expose the roll bar mount bolts. Remove the inner bolt (the seatbelt boot may need removed to access bolt). Align the roll bar bracket with the upper hinge holes and the hole for the roll bar mount just removed. Re-install bolt for roll bar but do not tighten (Torx 45 or 47 depending on model year).

**STEP 2:** Align the tailgate plate with the hole pattern on the tailgate and install at least two of the supplied 5/16 x 1 1/4" bolts into the top of the mount pattern of the spare carrier. Bolts do not need to be completely tightened at this time as they are only to hold the plate in place while the hinges are installed. (1/2" socket)

**STEP 3:** Fit the tub reinforcement plate over the passenger side tail light.

**STEP 4:** Align the top hinge with the holes in the tub reinforcement plate. Use the 1 1/2" bolts for the tub side of the upper hinge. Do not tighten completely (1/2" socket, deep well or extension will be needed).

**NOTE:** It is **IMPORTANT** that a small amount of anti-seize compound (provided) be used for all connections made into blind threads.

**NOTE:** For **2002 and older models** the bolts will pass through the hinge, the plate, the body and the roll bar bracket. Use washers and nuts to complete the connection.

**NOTE:** For **2003 and newer models** the bolts will thread into the body and once installed they should stick through the roll bar bracket also. The washer and nuts will still be needed to secure the roll bar bracket.

**STEP 5:** Fit the tub reinforcement plate over the passenger side tail light.

**NOTE:** Align the top hinge with the holes in the tub reinforcement plate. Use the 1 1/2" bolts for the tub side of the upper hinge. Do not tighten completely (1/2" socket, deep well or extension will be needed).

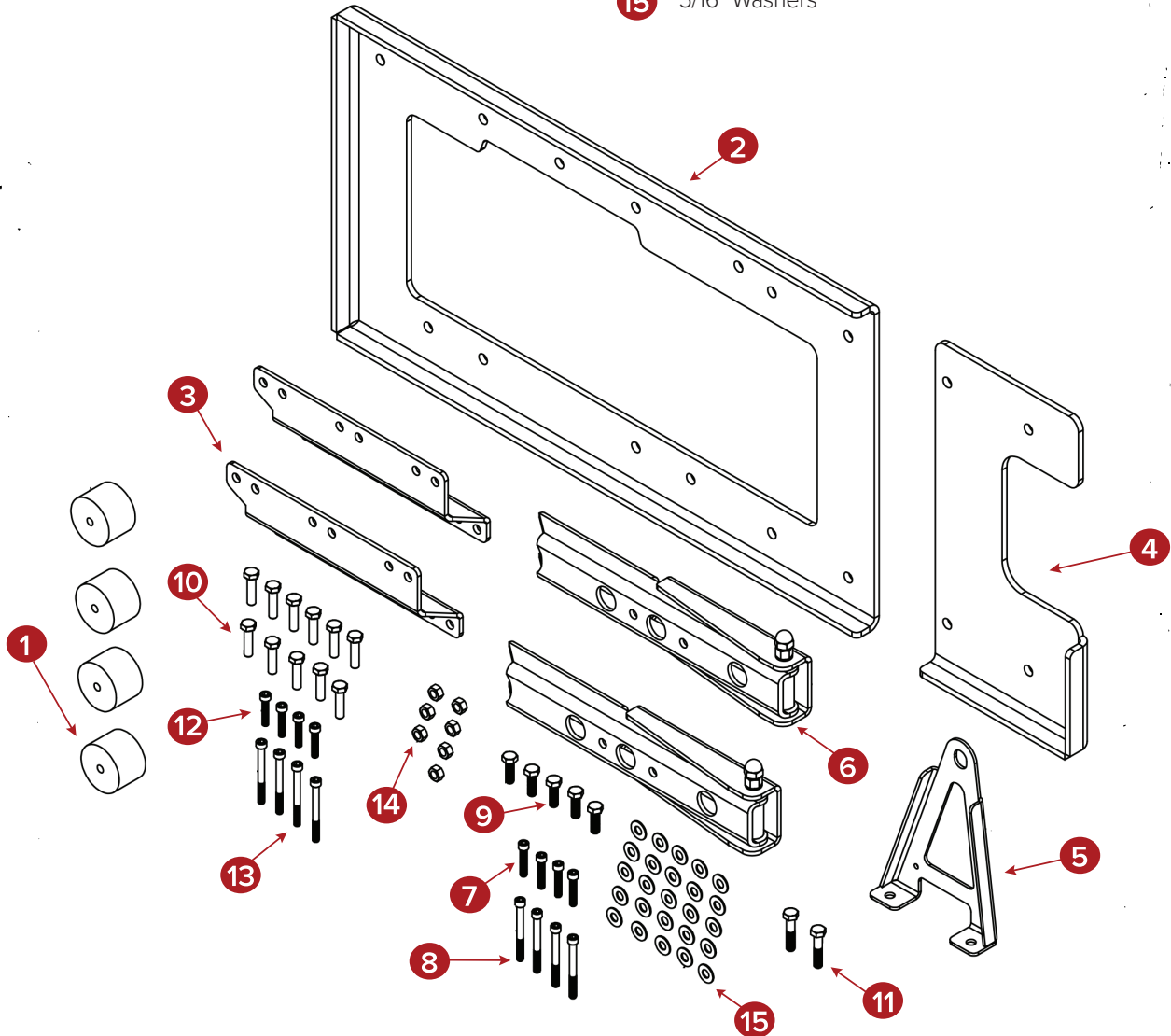
# TAILGATE REINFORCEMENT



## INSTALLATION INSTRUCTIONS

### PARTS LIST

- |   |  |
|---|--|
| <b>1</b> Snubber spacers (use with offset brackets) | <b>8</b> 1/4-20 x 2 1/2" Snubber bolts |
| <b>2</b> Tailgate plate                             | <b>9</b> 5/16-18 X 1"                  |
| <b>3</b> Offset brackets                            | <b>10</b> 5/16-18 X 1 1/4"             |
| <b>4</b> Tub reinforcement plate                    | <b>11</b> 5/16 -18 x 1 1/2"            |
| <b>5</b> Roll bar bracket                           | <b>12</b> M6-1.0 x 30 Snubber bolts    |
| <b>6</b> Hinges                                     | <b>13</b> M6-1.0 x 65 Snubber bolts    |
| <b>7</b> 1/4-20 x 1 1/4" Snubber bolts              | <b>14</b> 5/16" Nylock nuts            |
|   | <b>15</b> 5/16" Washers                |





# TAILGATE REINFORCEMENT



## INSTALLATION INSTRUCTIONS

### IF USING OFFSET BRACKETS

**STEP 1:** Attach the bottom bracket first using 1 1/4" bolts (1/2" socket). Then remove the bolts that were used to hold the tailgate plate in place for the hinge assembly and then attach the top bracket using 1 1/4" bolts. Once the brackets are installed all of the hardware for the hinges and roll bar bracket can be tightened.

**STEP 2:** Install spare carrier onto offset brackets using 5/16 x 1" bolts and nuts (1/2" socket and open end wrench).

**STEP 3:** Install third taillight onto spare carrier and reconnect wiring (due to the new position of the spare-carrier the wiring may need extended).

**STEP 4:** Re-install spare tire snubber bumpers. Spacers and hardware are included to accommodate for the offset brackets (3/16" or 5mm Allen wrench depending on model year).

**NOTE:** If aftermarket rims/ tires are being used it is possible that the tire will not make contact with the bumpers once installed. It is highly recommended that changes/ adjustments be made so the tire fits snugly against bumpers.

### IF NOT USING OFFSET BRACKETS

**STEP 1:** Remove bolts used to temporarily hold the tailgate plate in place.

**STEP 2:** Install spare carrier onto the tailgate plate using 5/16 x 1 1/4" bolts (1/2" socket). Once carrier is installed all of the hardware for the hinges and roll bar bracket can be tightened.

**STEP 3:** Install third taillight onto spare carrier.

**STEP 4:** Re-install spare tire snubber bumpers. New hardware is provided to accommodate for the added thickness of the tailgate plate (3/16" or 5mm Allen wrench depending on model year).

**NOTE:** If aftermarket rims/ tires are being used it is possible that the tire will not make contact with the bumpers once installed. It is highly recommended that changes/ adjustments be made so the tire fits snugly against bumpers.