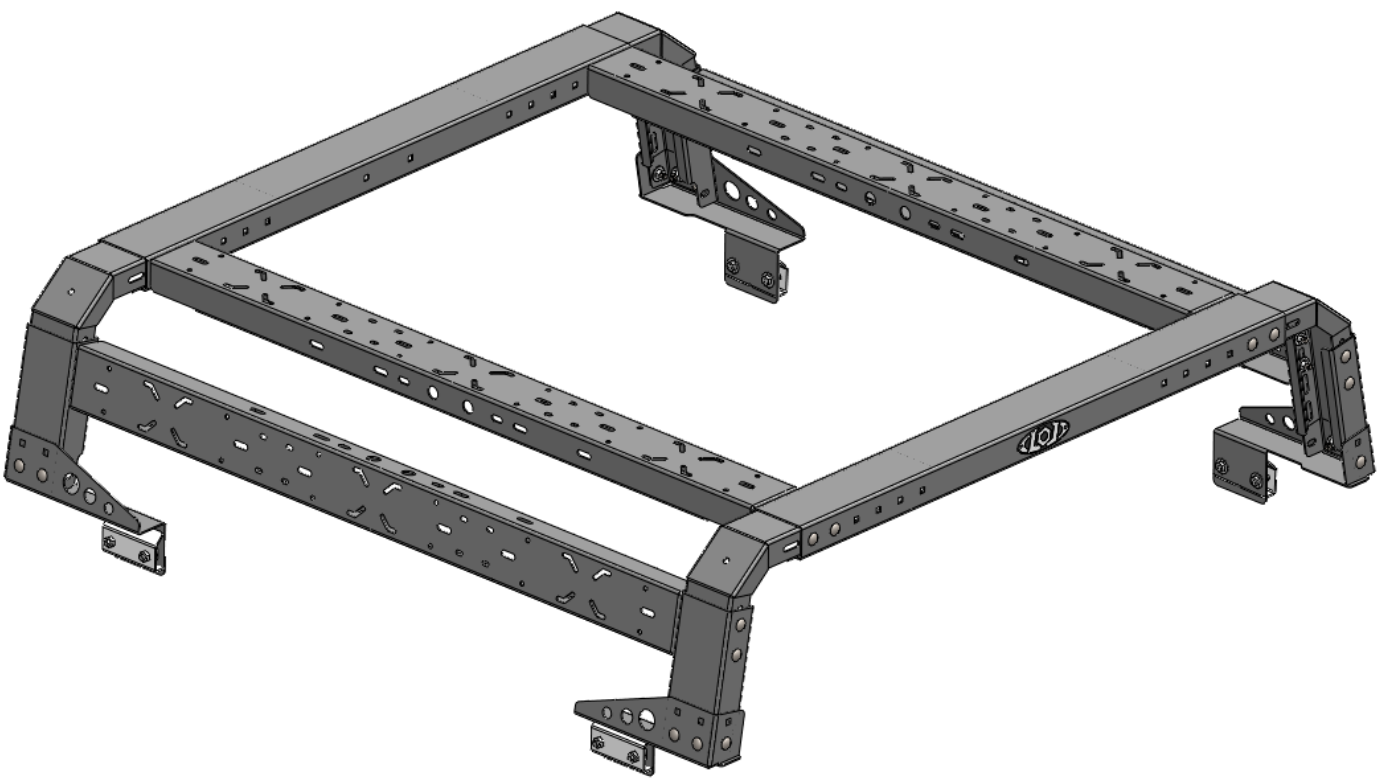



BLACK OPS SERIES
JT
JEEP JT BED RACK



VERIFY YOU HAVE ALL THE COMPONENTS BEFORE STARTING THE INSTALLATION. REFER TO THE ENGINEERING DRAWINGS AT THE END OF THIS DOCUMENT FOR A COMPLETE PARTS LIST



Start by installing the four Mounting Brackets at each corner of the truck bed as shown here.

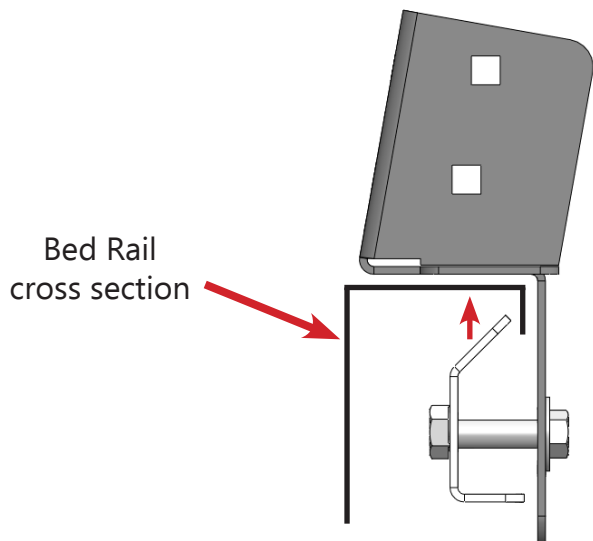


If you have an accessory rail inside your bed, you do not need the Rail Clamps. You can simply fasten the four Mounting Brackets to your accessory rail if you prefer.

****Accessory rail fasteners are not included with this bed rack.****

If you do not have an accessory rail, insert the Rail Clamps underneath the bed rail and fasten using the $\text{Ø}3/8$ Hex Bolts and Washers provided. Leave these loose for now while you finish the rack installation.

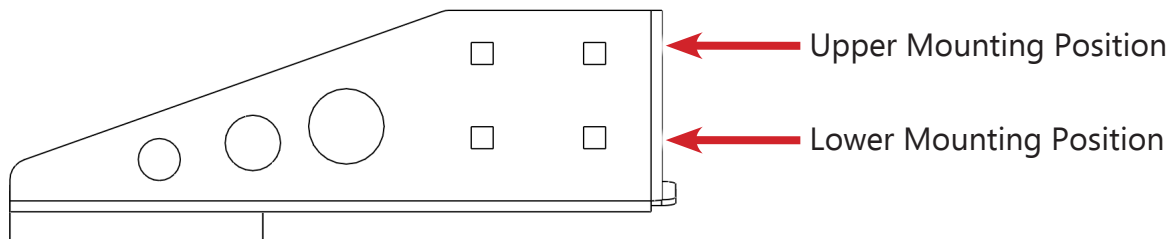
Before you tighten the Rail Clamp, be sure to push it up underneath the bed rail as high as it will go.



Next install the Corner Vertical Members at each corner using the Ø3/8 Carriage Bolts, Nuts and Washers. Leave these bolts slightly loose while you finish the installation.

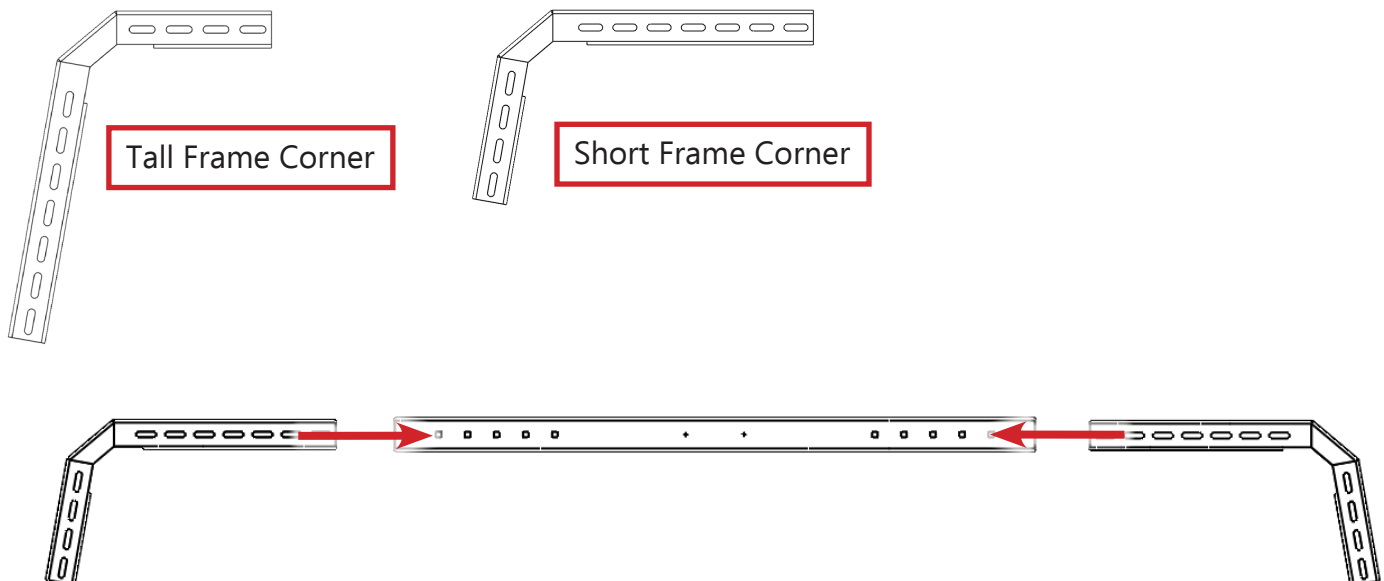
The four Corner Mounting Brackets have two positions for mounting the Vertical Members. If you have a bed cover you may need to mount the Vertical Members in the upper position

The upper mounting position will raise the rack 1.5".



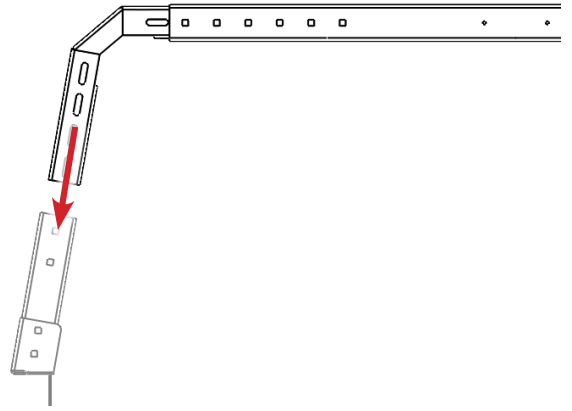
Next install your Frame Corners and Crossmembers. You can position the Frame Corners in either the tall or short orientation as shown below depending how tall you want your bed rack.

Slide both of the Frame Corners all the way into the Crossmember



Now carefully lower the Frame Corners and Crossmember into the Vertical Members.

Do this for both the front and rear positions of the bed rack.

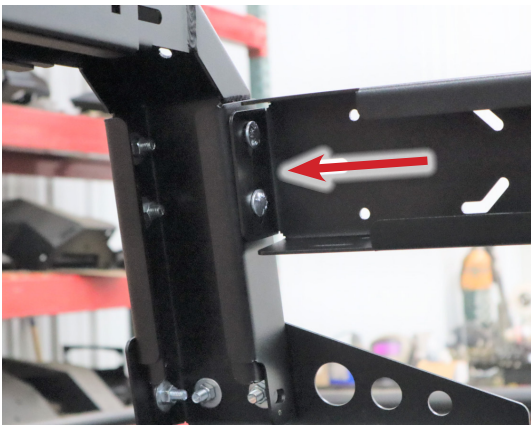


Determine the height you want your rack to be, then install two of the Ø3/8 Carriage Bolts, Nuts and Washers as shown here. Leave these bolts loose while you finish the installation.



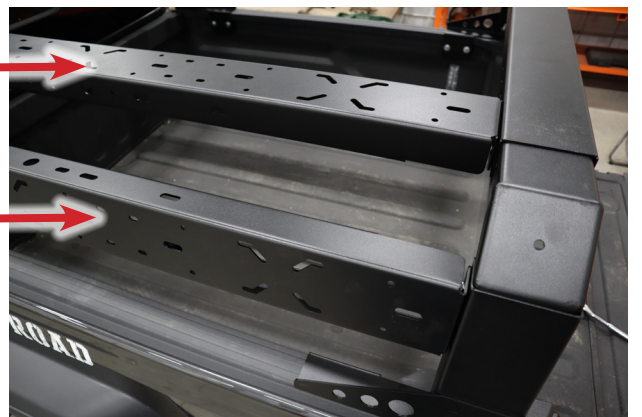
Next install the four Span Members on the sides and top of the bed rack as shown here using the Ø3/8 Carriage Bolts, Nuts and Washers.

Finish the installation by installing Ø3/8 Carriage Bolts, Nuts and Washers into the Front and Rear Crossmember.



Top Span Member

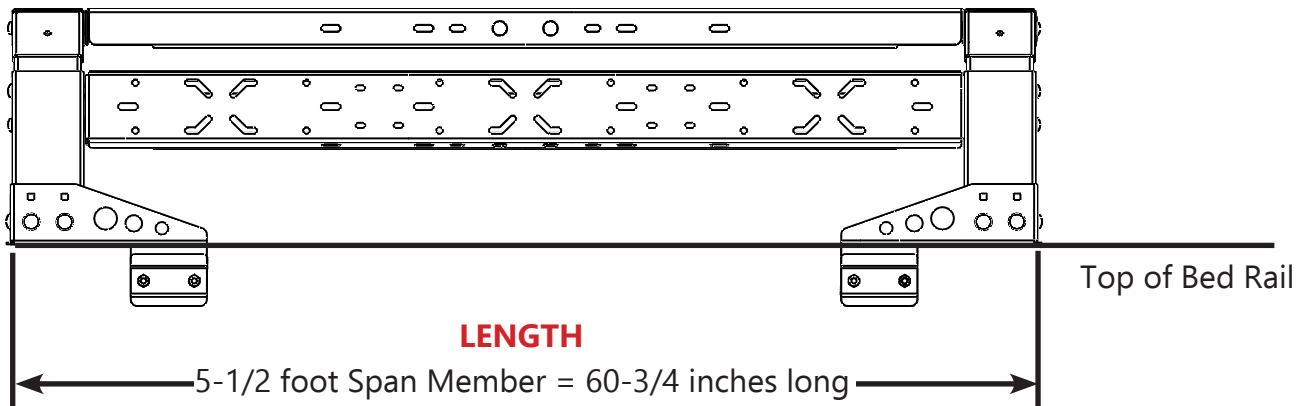
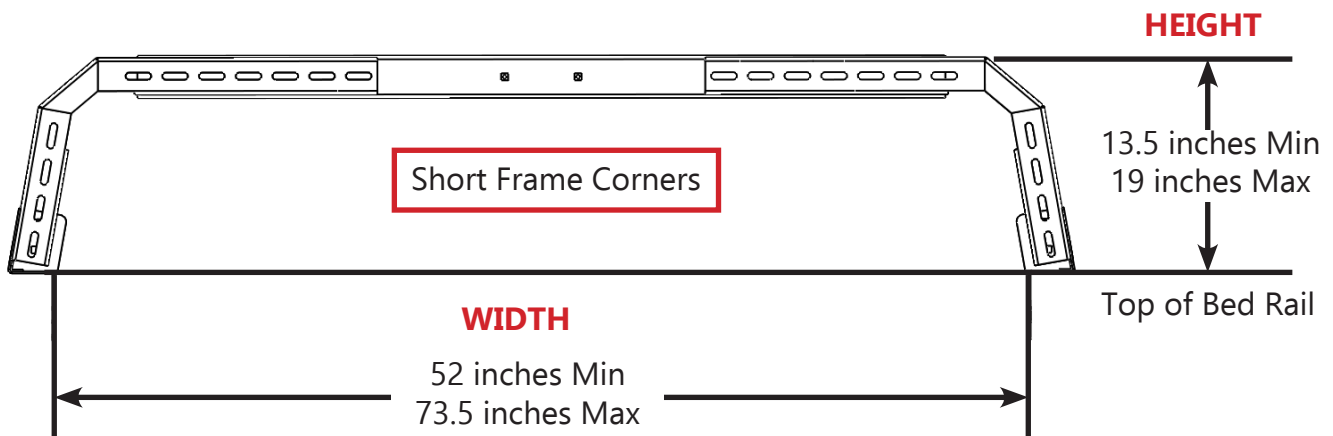
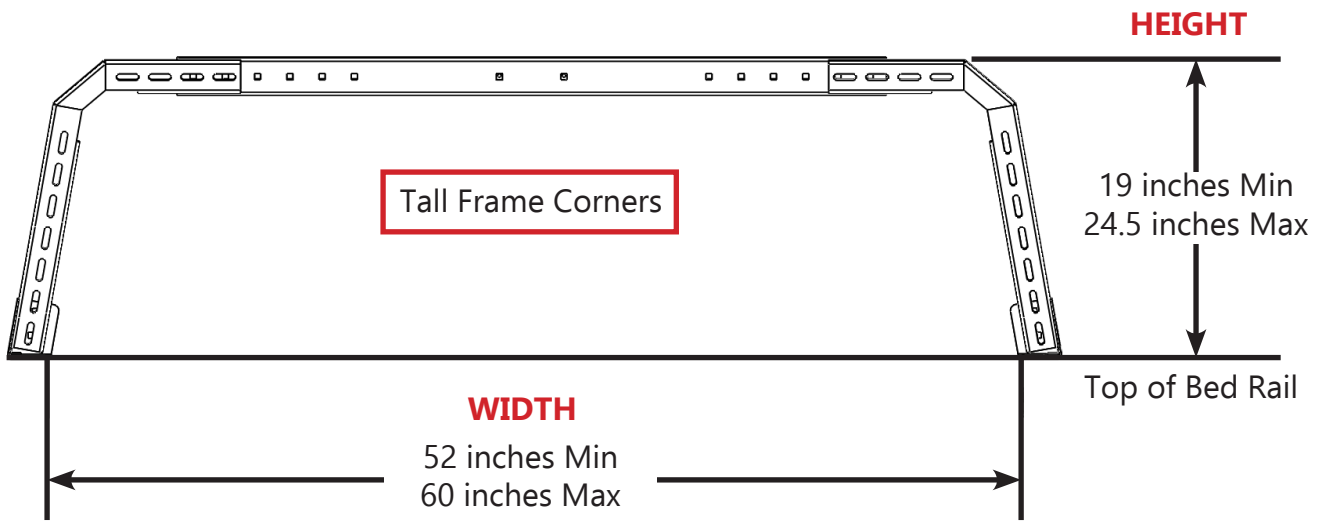
Side Span Member



The Bed Rack installation is now complete. Be sure to tighten all the bolts and mounting brackets!

Dimensions and Specifications

Weight Limit = 500 lbs dynamic

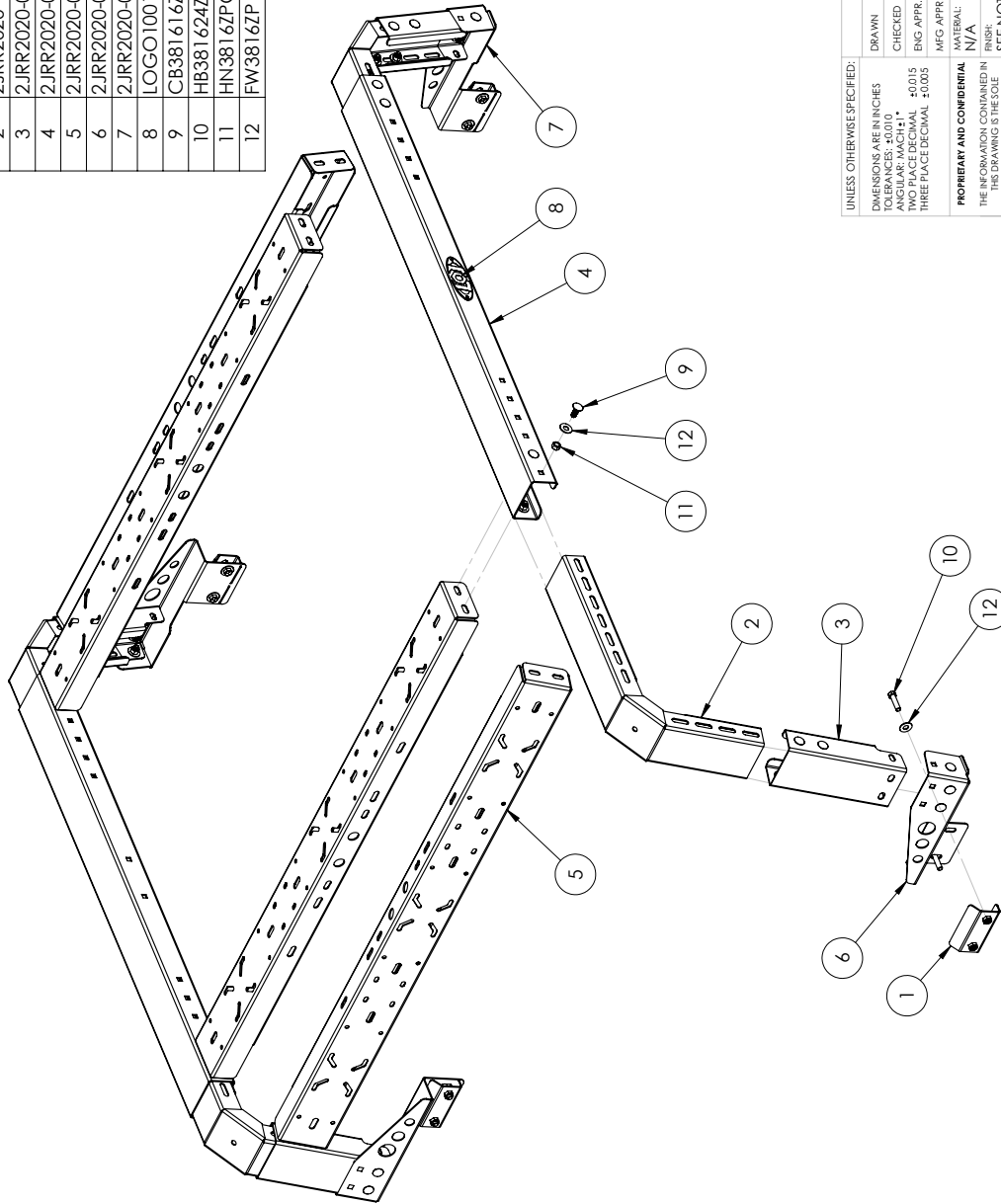


****Maintenance****

- Periodically check and re-tighten all fasteners.
- Periodically check your product for scratches or dings which can happen over time or after heavy use or highway driving. It is important to address these areas as soon as possible to prevent flaking and corrosion or rust from spreading. We recommend using Rustoleum® brand Black Semi-Gloss Protective Enamel (oil based). Remove loose powder coating, sand the area and clean using alcohol. Apply using a foam brush by dabbing to match the powder coat texture.



ITEM NO.	PART NUMBER	DESCRIPTION	QTY.
1	4JRR2020-01	RAIL CLAMP	4
2	2JRR2020-10	FRAME CORNER	4
3	2JRR2020-05	CORNER VERT MEMBER	4
4	2JRR2020-09	CROSS MEMBER	2
5	2JRR2020-06	5-1/2FT SPAN MEMBER	4
6	2JRR2020-03	RACK MOUNTING BRACKET - R	2
7	2JRR2020-04	RACK MOUNTING BRACKET - L	2
8	LOGO1001	DESTROYER LOGO - EMBOSSED	1
9	CB381624ZPGR5	CARRIAGE BOLT 3/8-16 X 1.00 ZINC PLATE GR5	44
10	HB381624ZPGR5	HEX BOLT 3/8-16 X 1.500 ZINC PLATE GR5	8
11	HN3816ZPGR5	HEX NUT 3/8-16 ZINC PLATE GR5	44
12	FW3816ZP	FLAT WASHER Ø3/8" X 1.00 ZINC PLATE	52



NOTES:

- JRR2020 = BARE STEEL OPTION
- JRR2021 = BLACK POWDER COAT
- WEIGHT = APPROX 134.09 LBS

UNLESS OTHERWISE SPECIFIED:		NAME	DATE
DIMENSIONS ARE IN INCHES	DRAWN	MCH	9/23/2022
TOLERANCES: ±0.010	CHECKED		
ANGULAR: MACH ±1°	ENG APPR:		
TWO PLACE DECIMAL	MEG APPR:		
THREE PLACE DECIMAL	MATERIAL:		
	N/A		
PROPRIETARY AND CONFIDENTIAL			
THE INFORMATION CONTAINED IN THIS DRAWING IS THE SOLE PROPERTY OF LOD LLC. ANY REPRODUCTION IN PART OR AS A WHOLE WITHOUT THE WRITTEN PERMISSION OF LOD LLC IS PROHIBITED.			
LOD LLC.		DWG. NO.	JRR2020
DESCRIPTION:		JRR2021	REV
JT BED RACK			A
SCALE: 1:9		SHEET SIZE: B	SHEET 1 OF 1



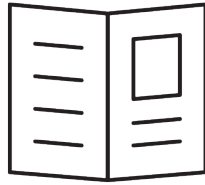


**JT Jeep
BLACK OPS SERIES**

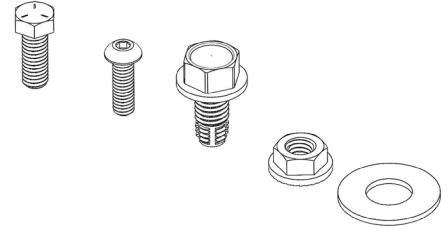
JEEP JT BED RACK
SHIPPING SHEET

Packaged by:

On:



Instruction
Booklet

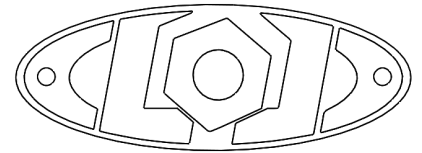


BOLT KIT
(may vary)



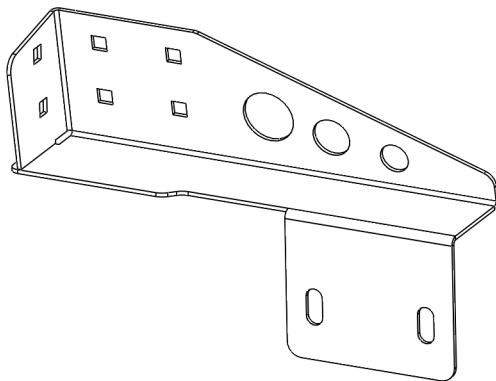
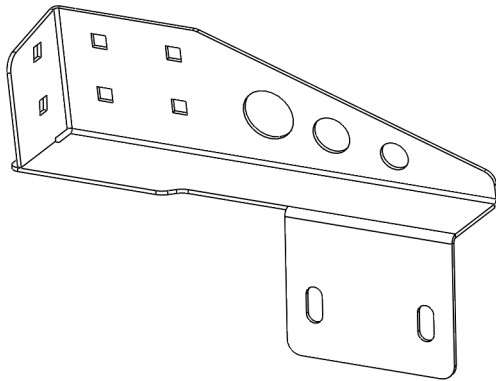
LOD LOGO
(PACKAGED SEPERATE
IF BARE STEEL)

(x1)



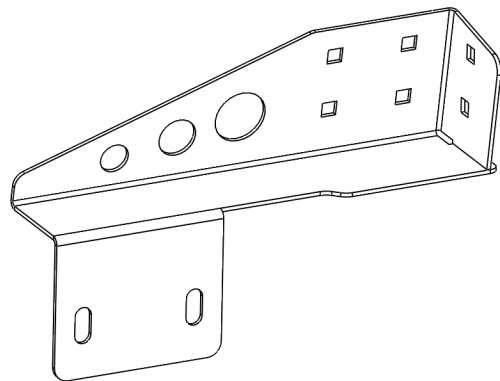
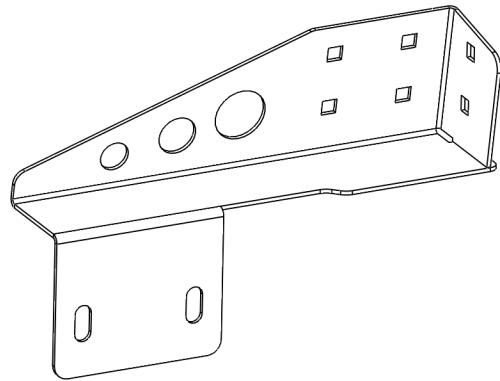
RACK MOUNTING
BRACKET - R
2JRR2020-03

(x2)

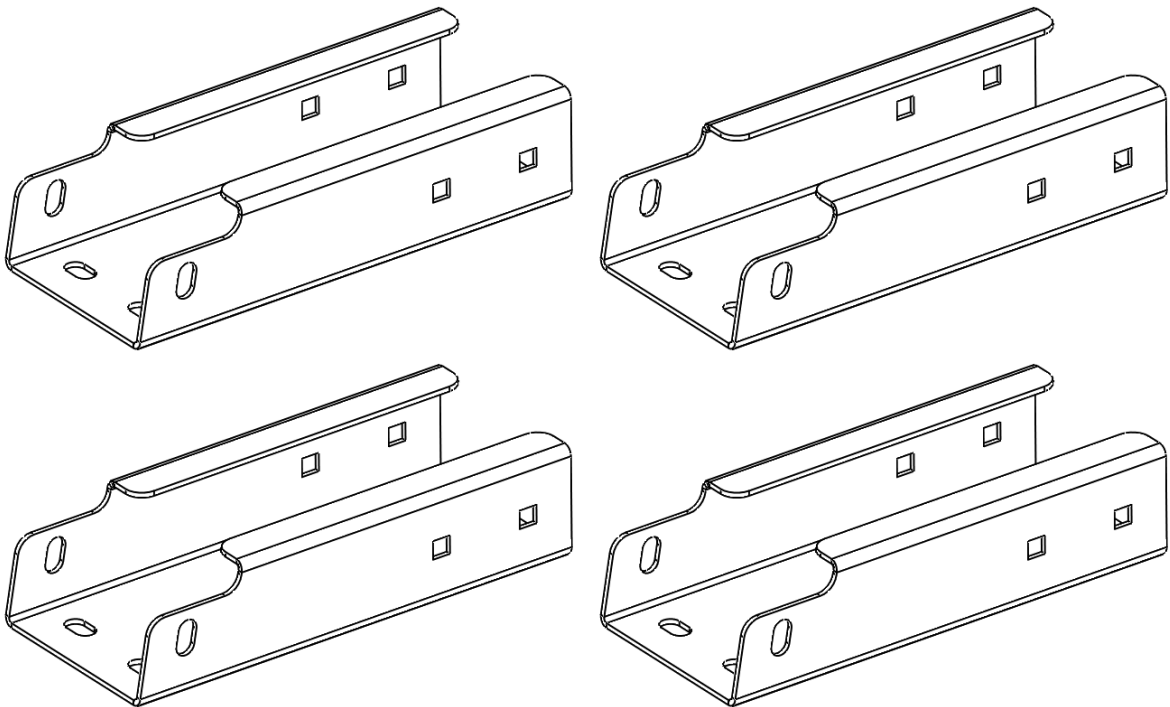
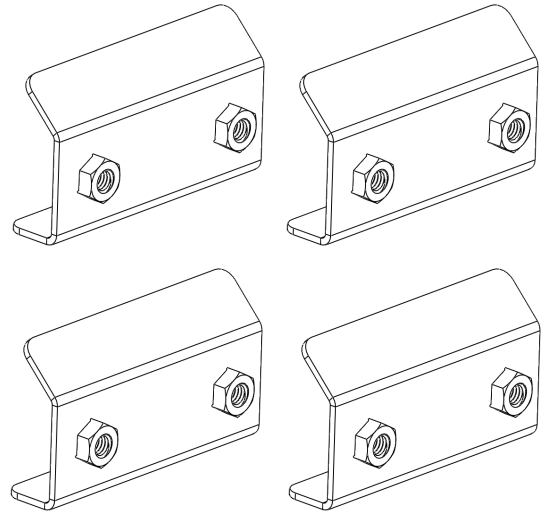


RACK MOUNTING
BRACKET - L
2JRR2020-04

(x2)

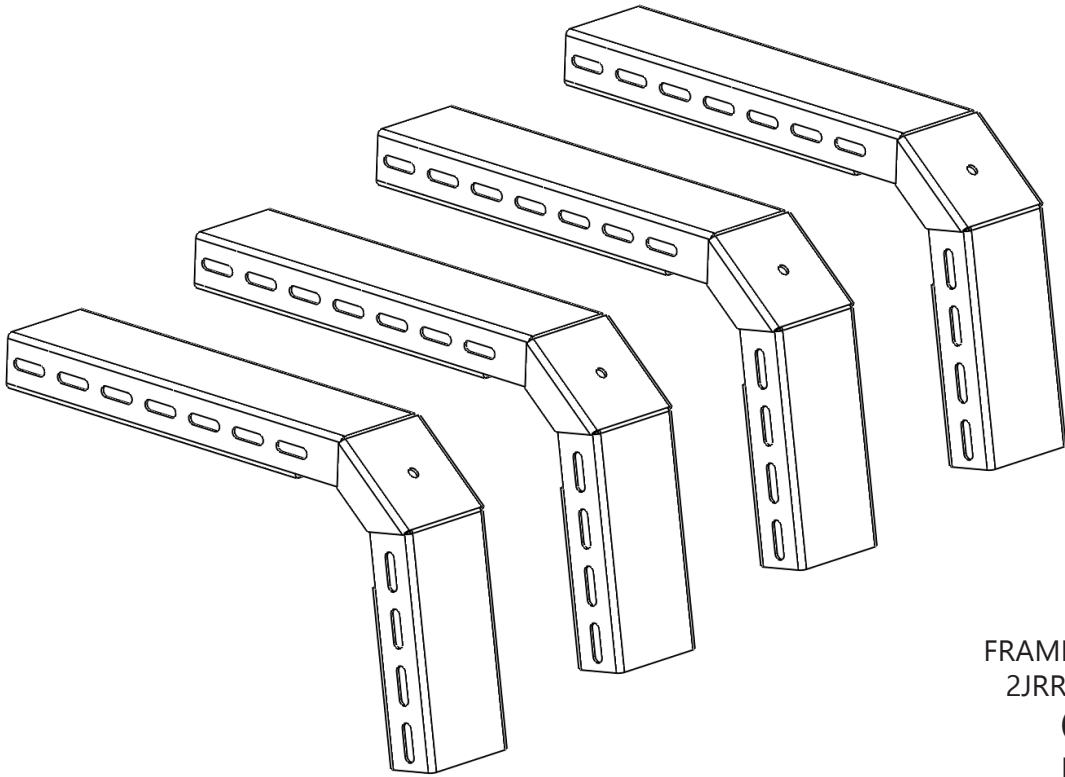


RAIL CLAMP
4JRR2020-01
(x4)

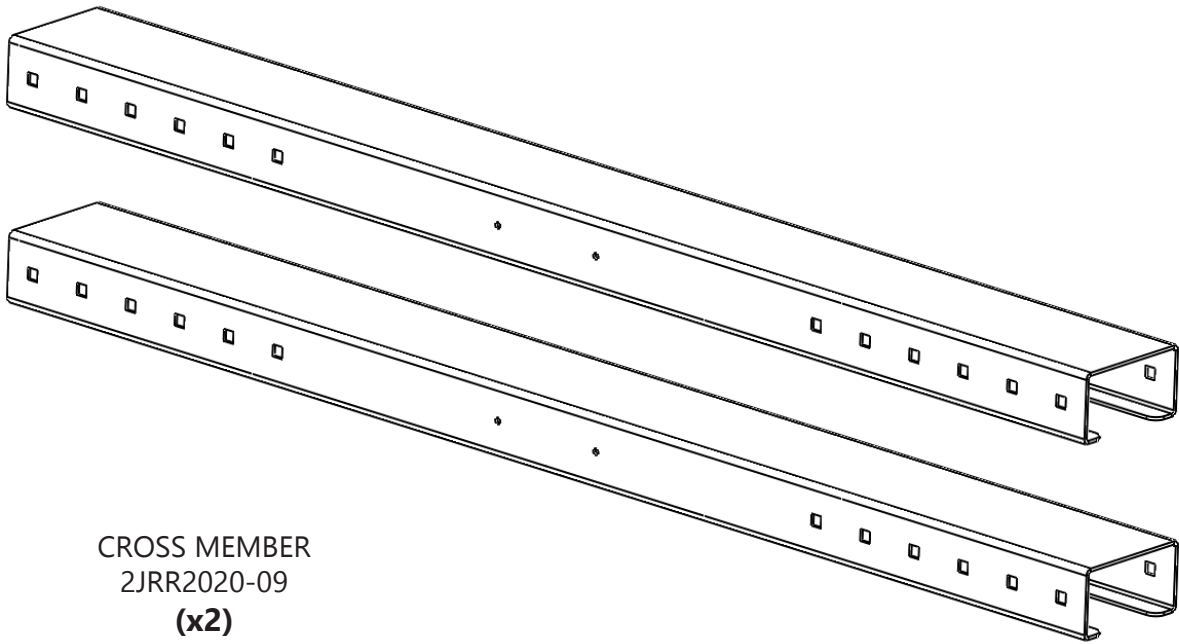


CORNER VERTICAL MEMBER
2JRR2020-05
(x4)



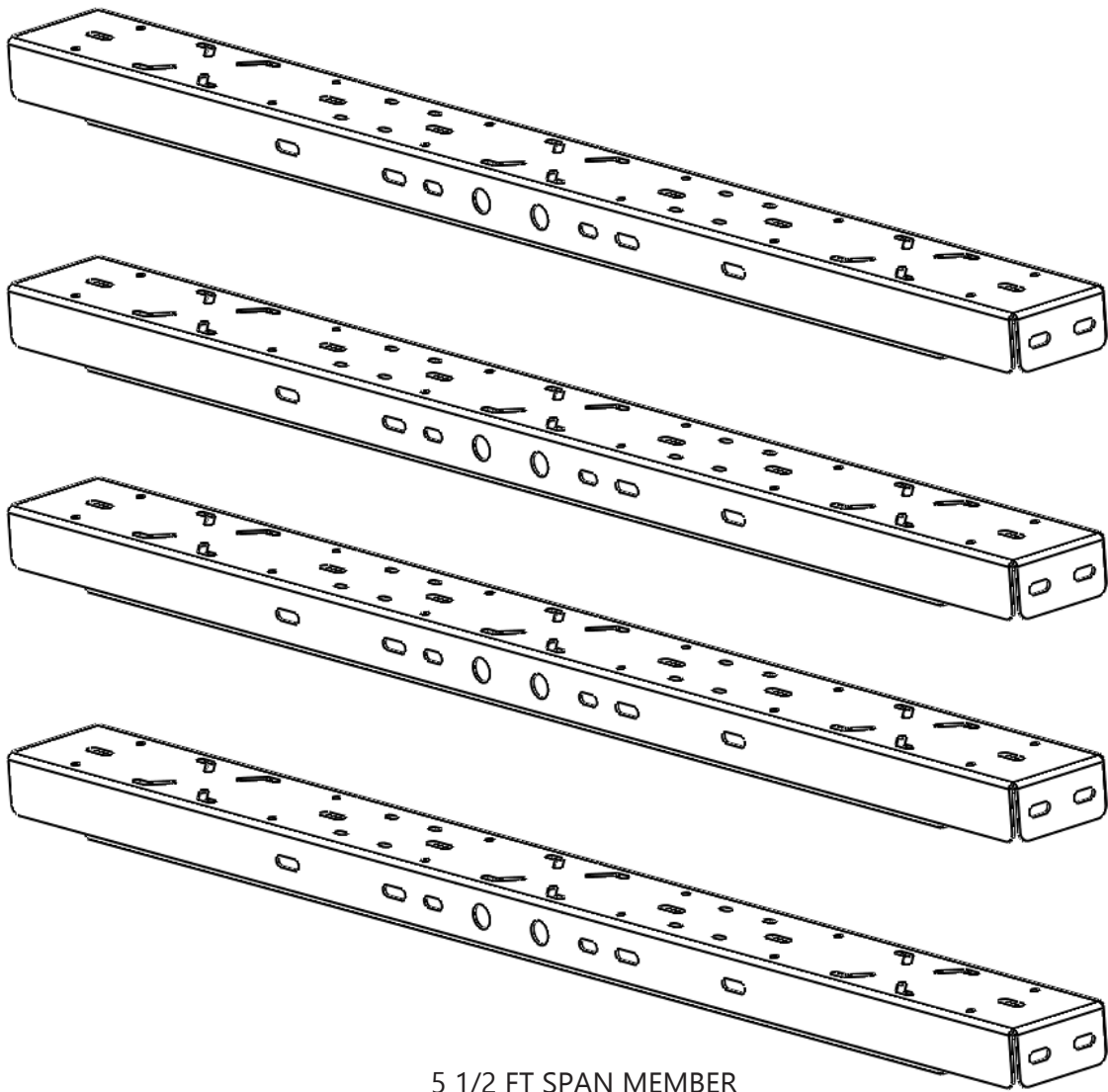


FRAME CORNER
2JRR2020-10
(x4)



CROSS MEMBER
2JRR2020-09
(x2)





5 1/2 FT SPAN MEMBER

2JRR2020-06

(x4)





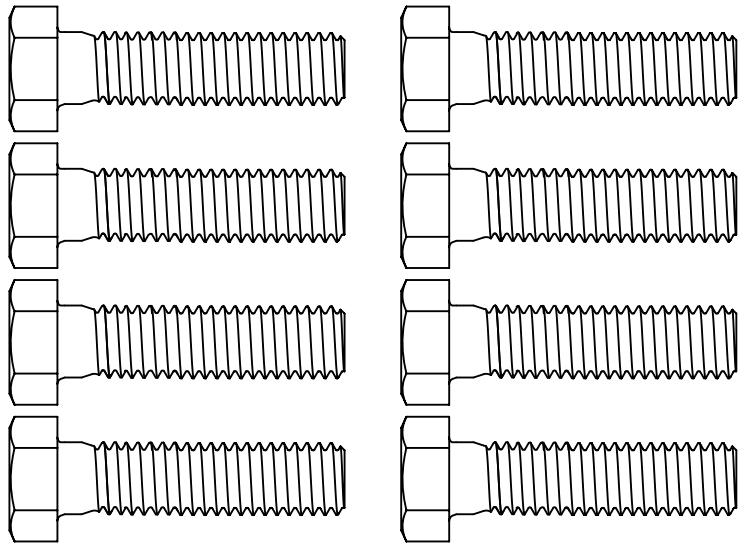
**JT Jeep
BLACK OPS SERIES**

JEEP JT BED RACK

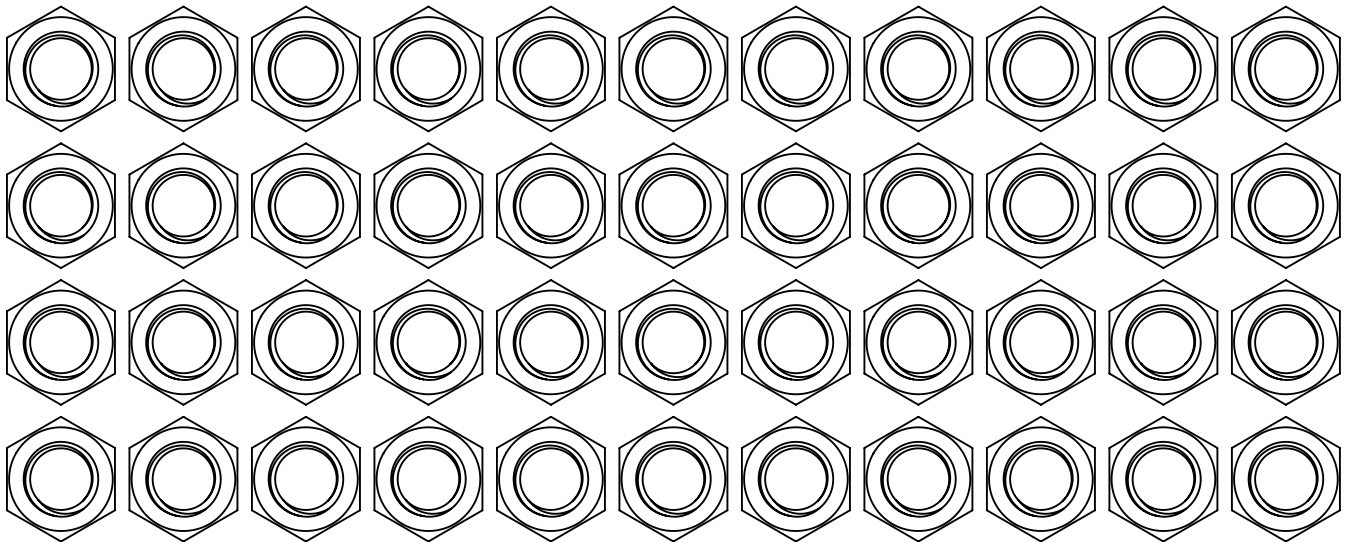
BOLT KIT

Packaged by:

On:

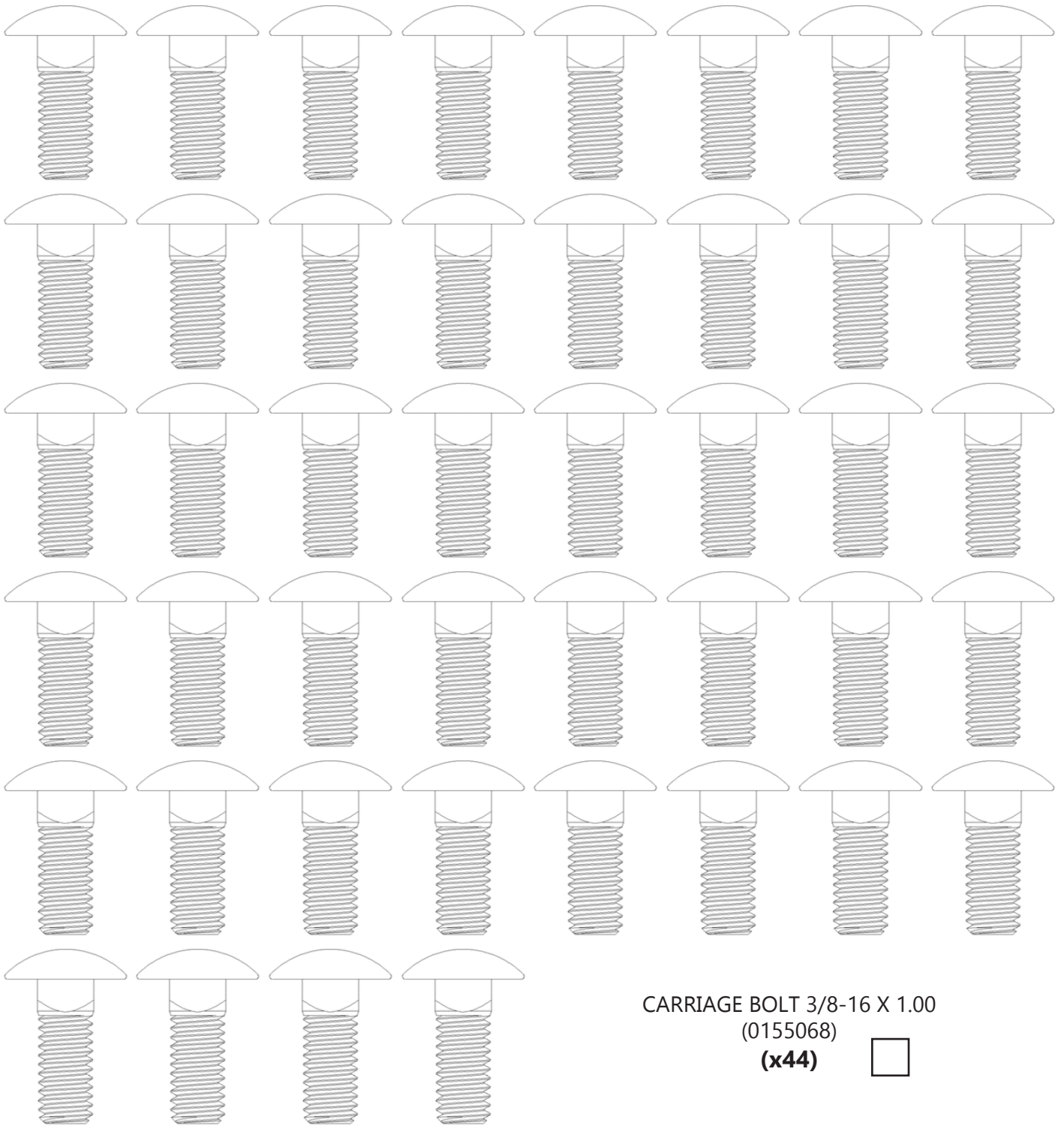


HEX BOLT 3/8-16 X 1.50
(13109)
(x8)



HEX NUT 3/8-16
1136306
(x44)





CARRIAGE BOLT 3/8-16 X 1.00
(0155068)
(x44)

