



SIGNATURE SERIES
JL JEEP
ROCK RAILS

**INSTALLATION
INSTRUCTIONS**

***PLEASE READ THROUGH THE INSTRUCTIONS BEFORE BEGINNING ANY PART OF THE
INSTALLATION PROCESS***

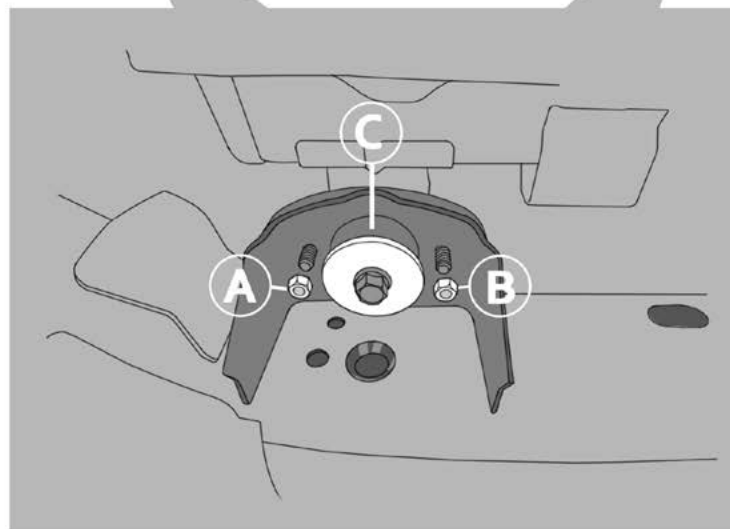
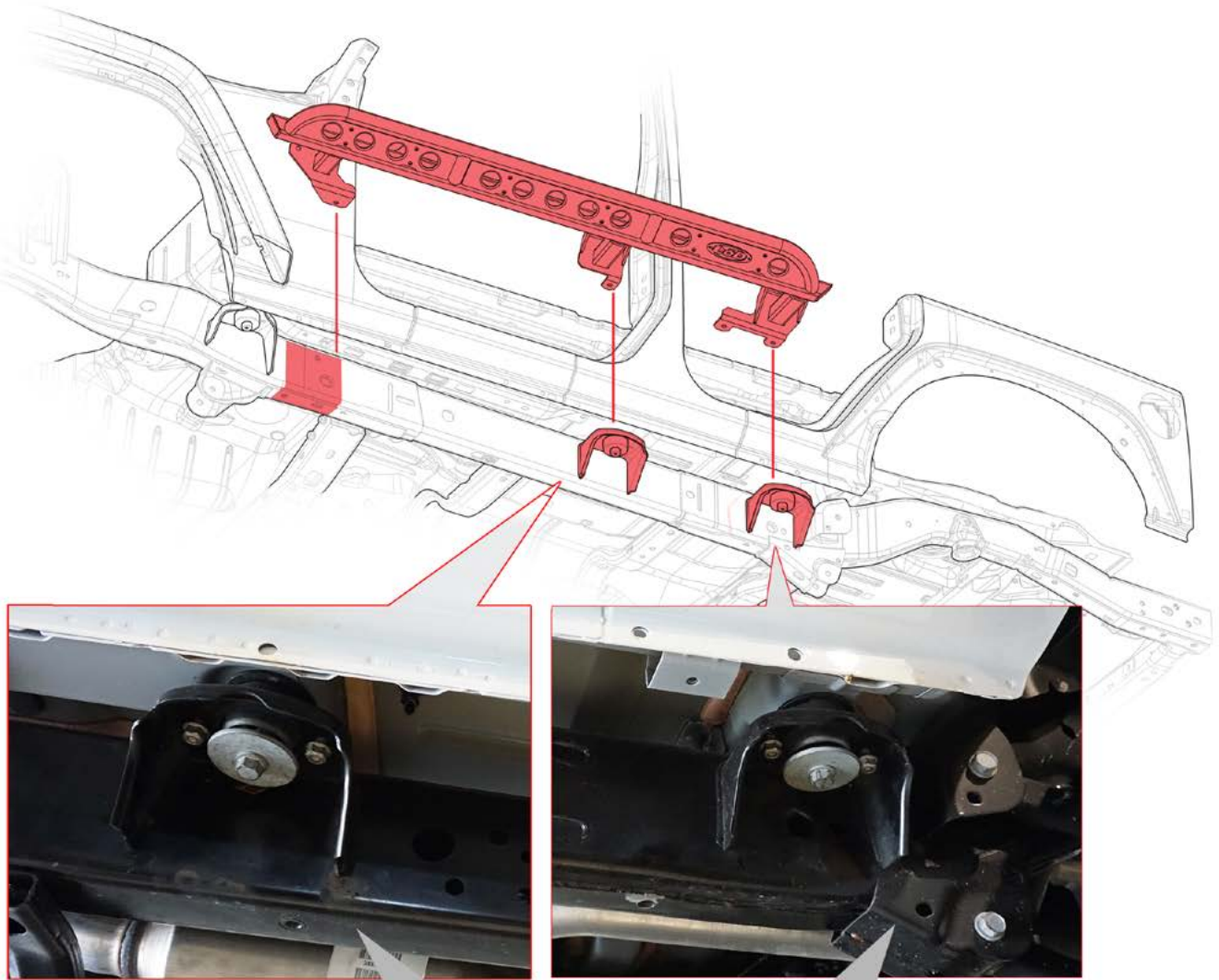
WEB LINK: <http://lodoffroad.com/assets/pdfs/JRS1841INS.pdf>

1.



Remove the stock rock sliders (if included on vehicle)

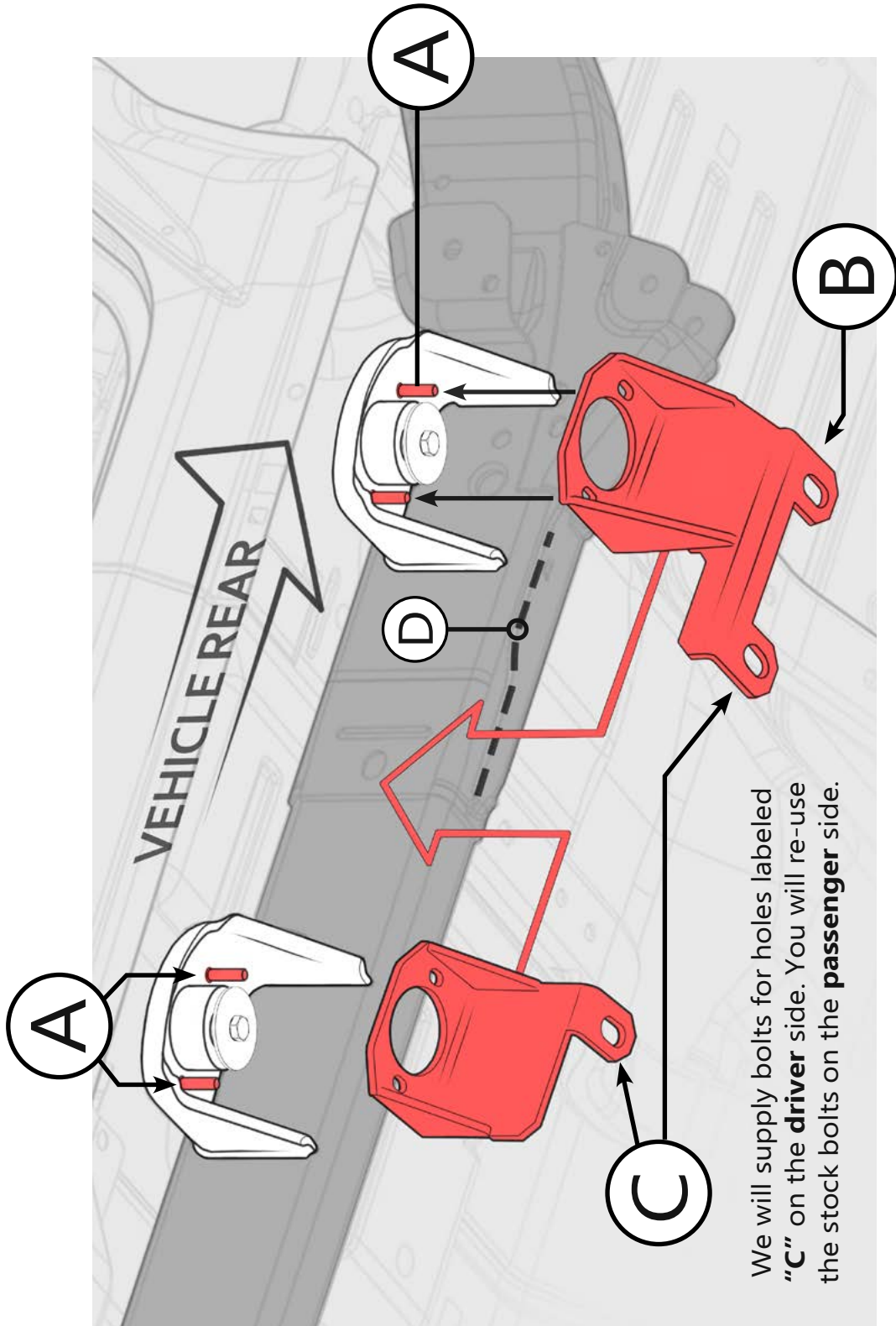
The rock sliders mount in the shown areas.



Remove the nuts in position "A" and "B."
"C" stays in place.

CENTER AND REAR MOUNTS - (DRIVER SIDE SHOWN)

This illustration shows the easiest method to attach the sliders. Simply place the mounts into the openings and attach the nuts onto the studs labeled "A".



We will supply bolts for holes labeled "C" on the **driver** side. You will re-use the stock bolts on the **passenger** side.

Hole labeled "B" is **optional** (on both passenger and driver sides), and should be drilled with a **7/16"** drill bit. Then insert provided self-tapping screw.

Some welds and seams may need to be ground flat with a hand grinder. The dashed line indicates where we had to grind a drippy weld.



FRONT MOUNT - (PASS. SIDE SHOWN)



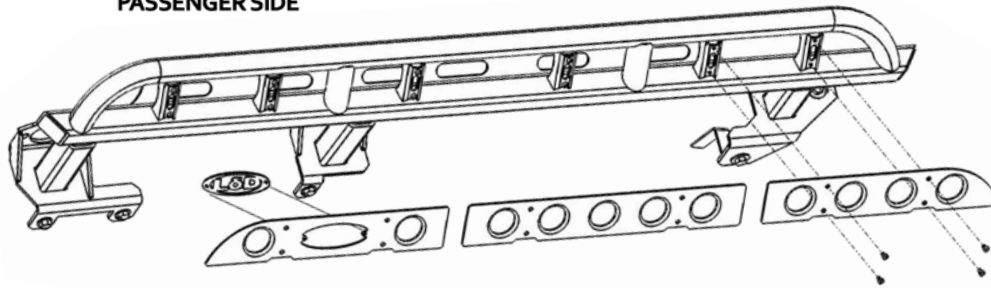
Insert the flag nut into the rectangle hole to match with the bolt inserted in position "A".
The hole at location "B" is optional, but it recommended for heavy-duty off-road use.

Mark the hole location, then use a **9/16"** drill bit (passenger side only - driver side has a hole)

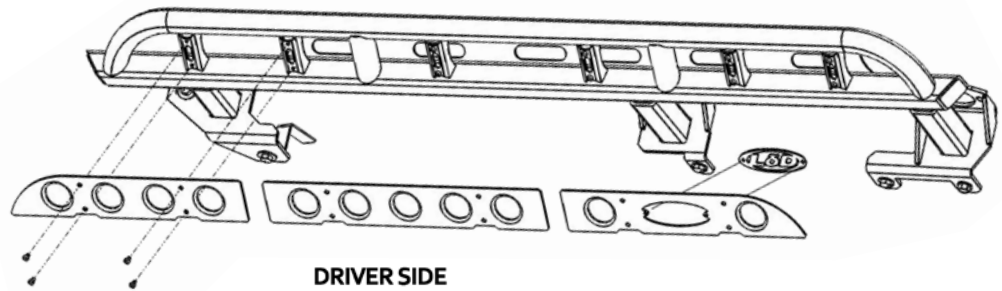


Installing Cosmetic + Logo Panels

PASSENGER SIDE



DRIVER SIDE



ITEM NO.	PART NUMBER	FINISH	DESCRIPTION	QTY.
1	4JRS1840-05	BS / BP	SIG SLIDER PASS SIDE WELDMENT	1
2	4JRS1840-06	BS / BP	SIG SLIDER DRIVER SIDE WELDMENT	1

HARDWARE KIT

ITEM NO.	PART NUMBER	FINISH	DESCRIPTION	QTY.
3	2JRS1840-07	BS / BP	PASS SIDE LOWER FRONT COVER PLATE	1
4	2JRS1840-21	BS / BP	DRIVER SIDE LOWER FRONT COVER PLATE	1
5	2JRS1840-08	BS / BP	LOWER MIDDLE COVER PLATE	2
6	2JRS1840-09	BS / BP	PASS SIDE LOWER REAR COVER PLATE	1
7	2JRS1840-23	BS / BP	DRIVER SIDE LOWER REAR COVER PLATE	1
8	LOD Logo		Logo	2
9	THN5013ZPGR5-02		TABBED HEX NUT 1/2-13 ZINC PLATE GR5	2
10	HB501372ZPGR5		HEX BOLT 1/2-13 X 4.50 HEX BOLT ZINC PLATE GR5	2
11	HN5013ZPGR5		HEX NUT 1/2-13 ZINC PLATE GR5	2
12	FW5022ZP		FLAT WASHER Ø1/2" X 1.375" ZINC PLATE	6
13	TR501316ZP		THREAD ROLLER 1/2-13 X 1.00 HEX ZINC PLATE	2
14	BHSCS252808SS		BHSCS 1/4-28 X 0.50 STAINLESS STEEL	24
15	HB12150M25ZPCL88		HEX BOLT M12-1.50 x 25mm ZINC PLATE CL8.8	2
16	FW4318ZP		FLAT WASHER Ø7/16 X 1.25" ZINC PLATED	2
17	HB501316ZPGR5		HEX BOLT 1/2-13 X 1.00 HEX BOLT ZINC PLATE GR5	2

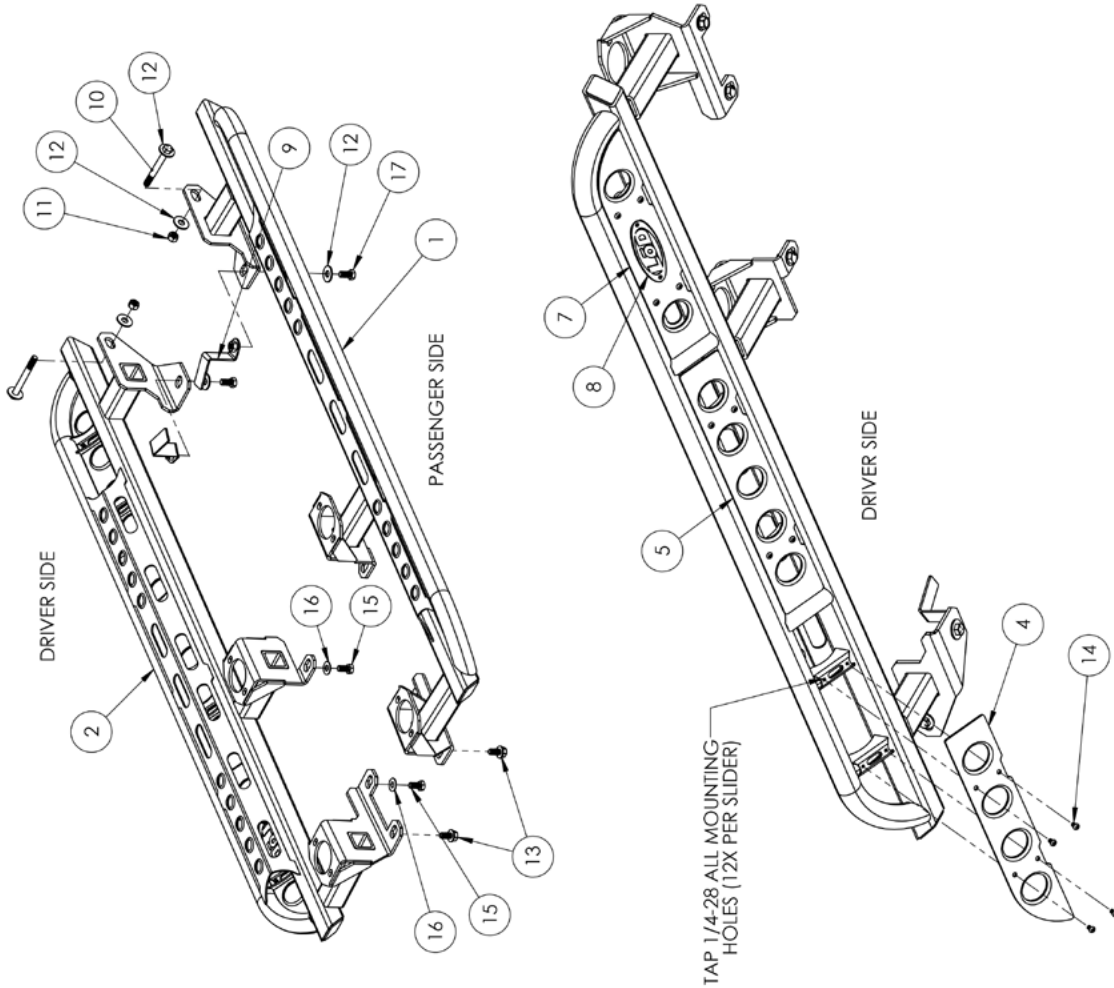
FINISH CODE:
BS = BARE STEEL OPTION / BP = BLACK POWDER COAT OPTION

NOTES:

1. JRS1840 = BARE STEEL OPTION
2. JRS1841 = BLACK POWDER COAT OPTION

SIGNATURE SERIES FRAME MOUNTED
4 DOOR ROCK SLIDERS

JRS1840
JRS1841

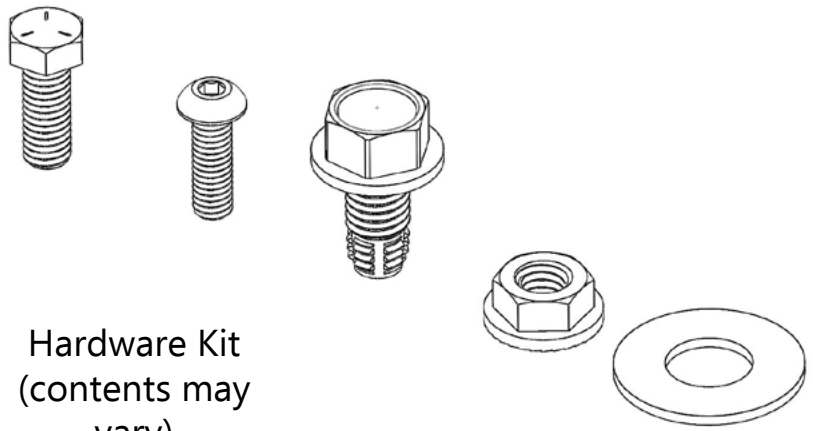




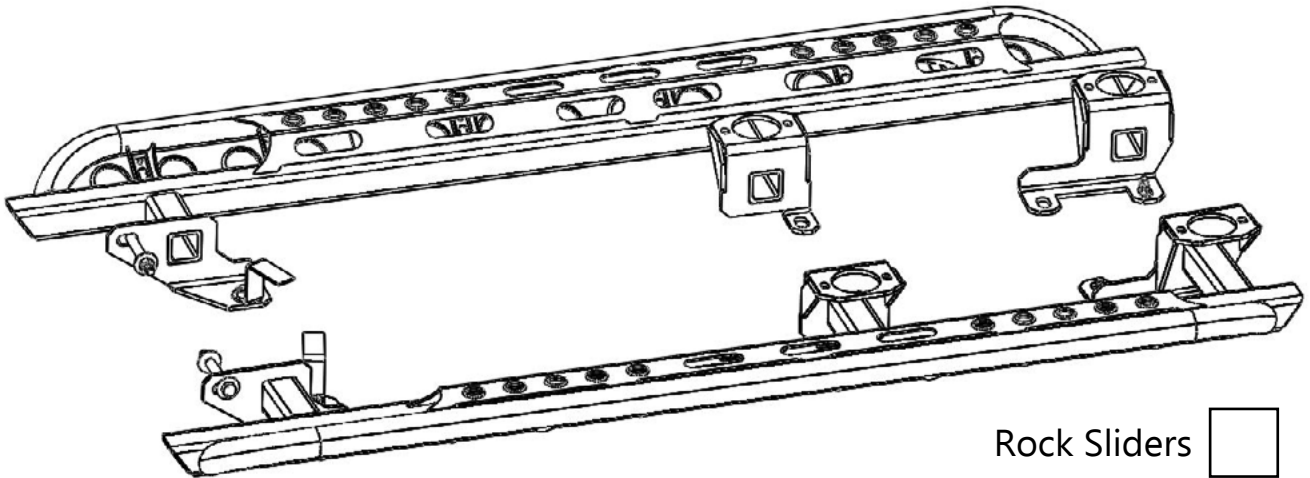
**JL Jeep
Signature Series
Rock Sliders
Hardware Sheet**

Packaged by:

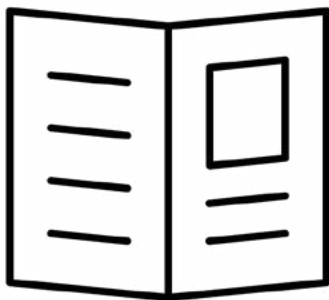
On:



Hardware Kit
(contents may
vary)



Rock Sliders

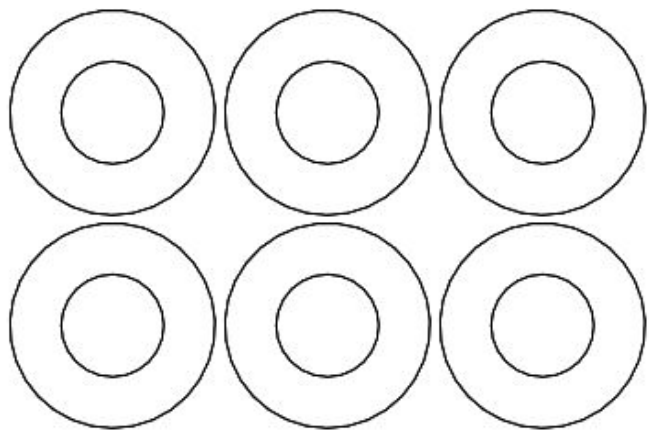


Rock Slider Instruction Booklet

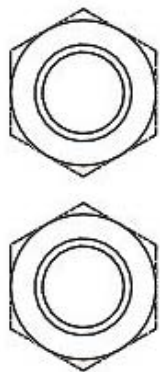
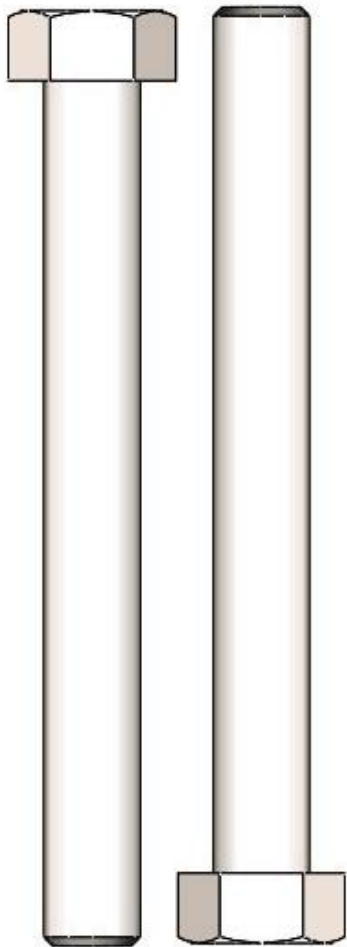


JL Jeep
Signature Series
 Rock Sliders
 Packing Sheet
 Packaged by:

On: _____



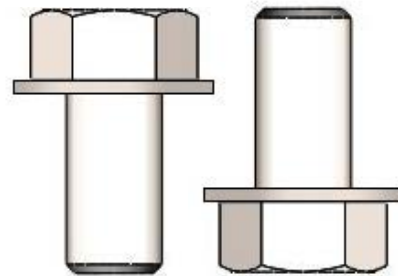
1/2" (13) x 1.375"
 Washer
(x 6)



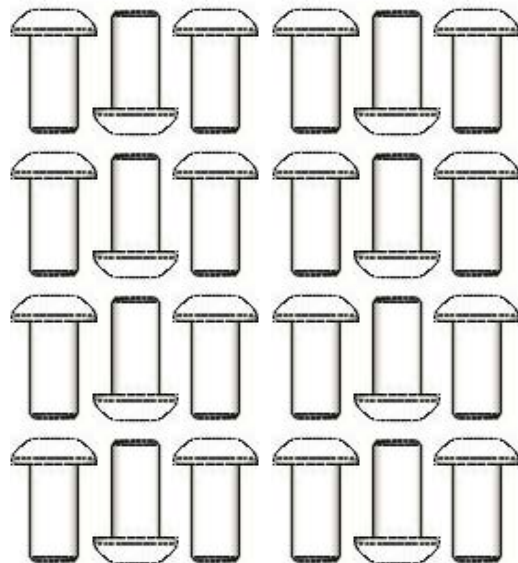
1/2" (13)
 Hex Nut
(x 2)



1/2" (13) x 4.5"
 Hex Bolt
(x 2)

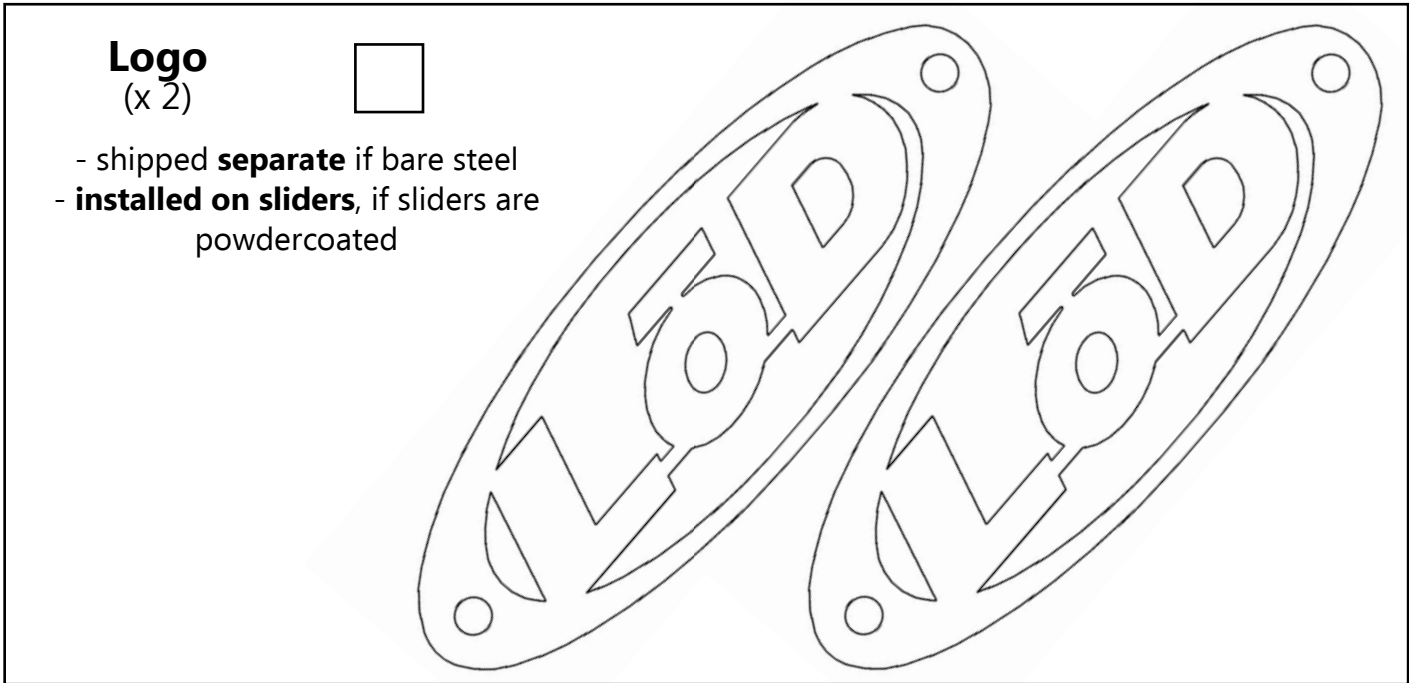
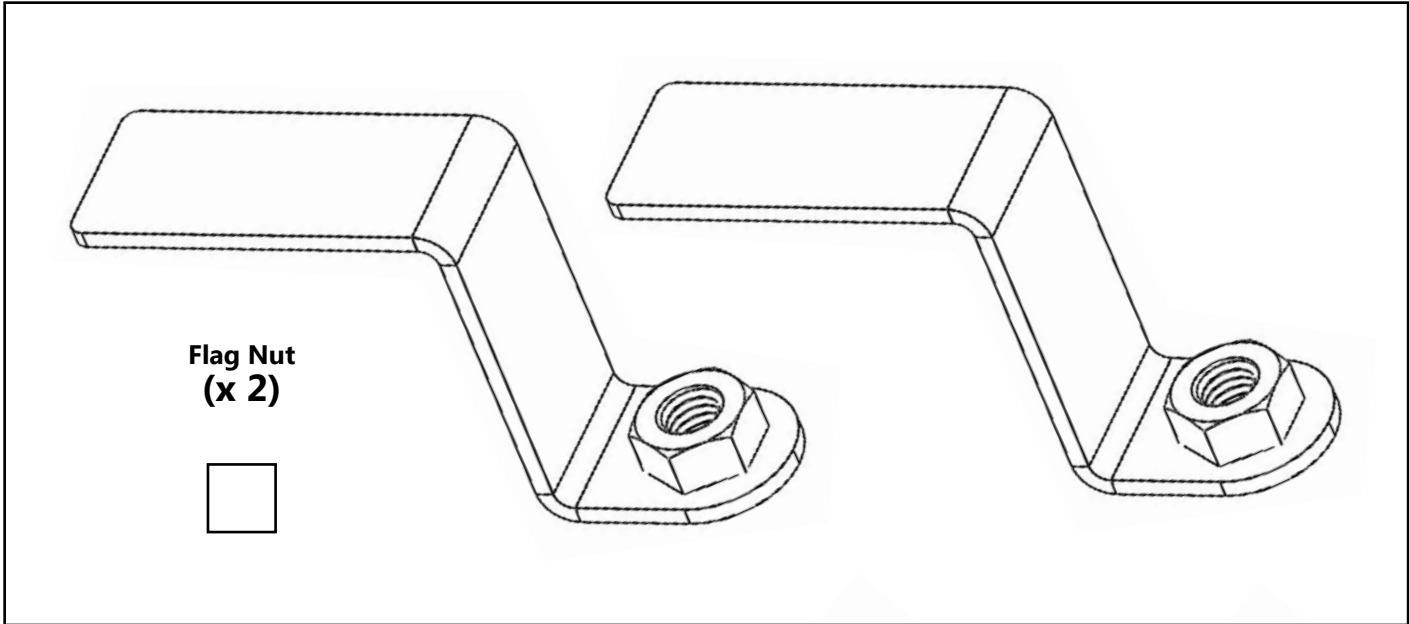
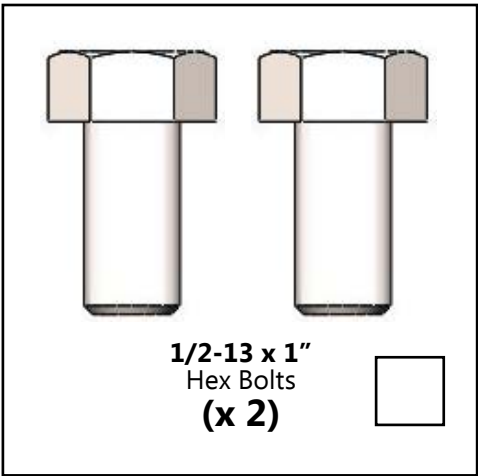
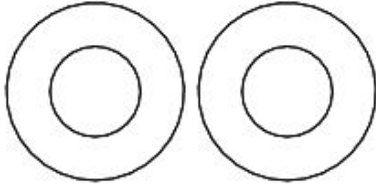
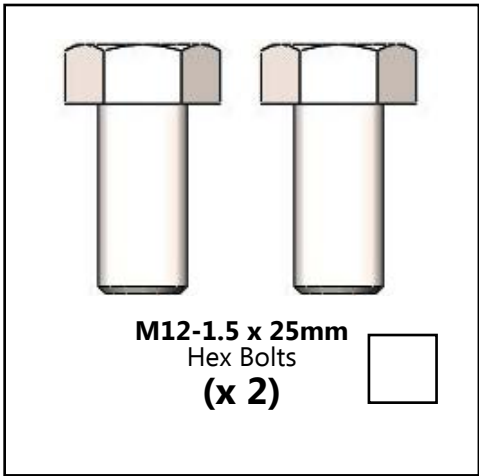


1/2" (13) x 1"
 Self Tapping Screw
(x 2)



1/4" (28) x 0.5"
 Buttonhead Bolts
(x 24)

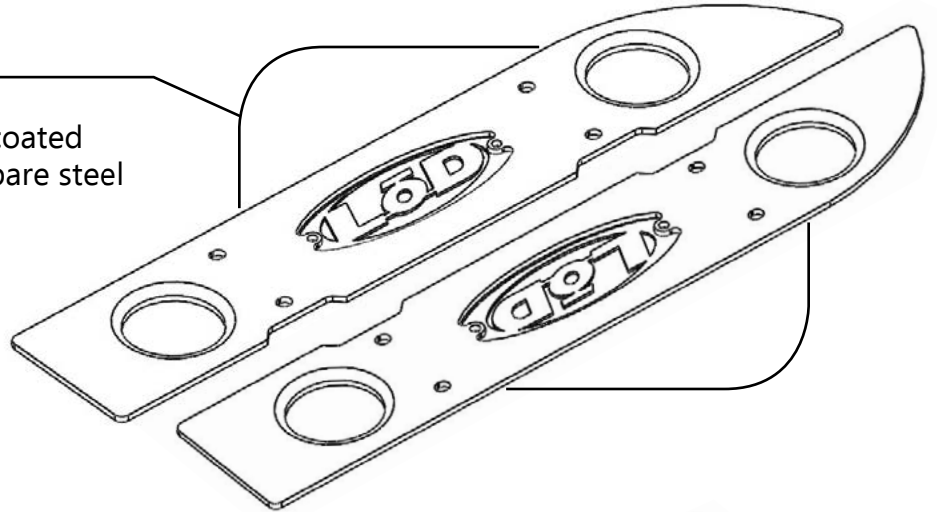




Cosmetic Panels Included

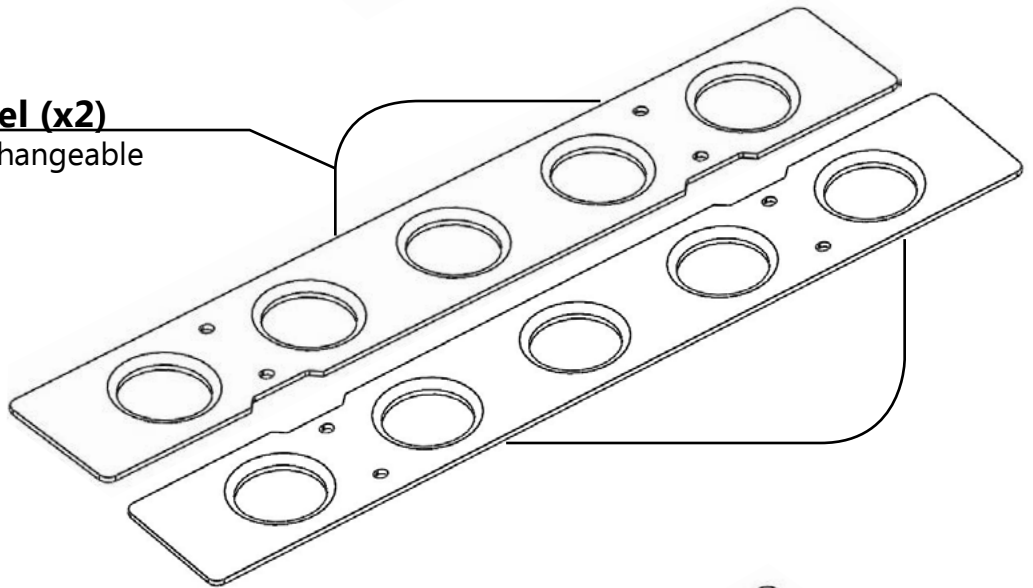
Front Panel (x2)

- opposite sides
- logo installed if powdercoated
- logo packaged separate if bare steel



Middle Panel (x2)

- identical/interchangeable



Rear Panel (x2)

- opposite sides

