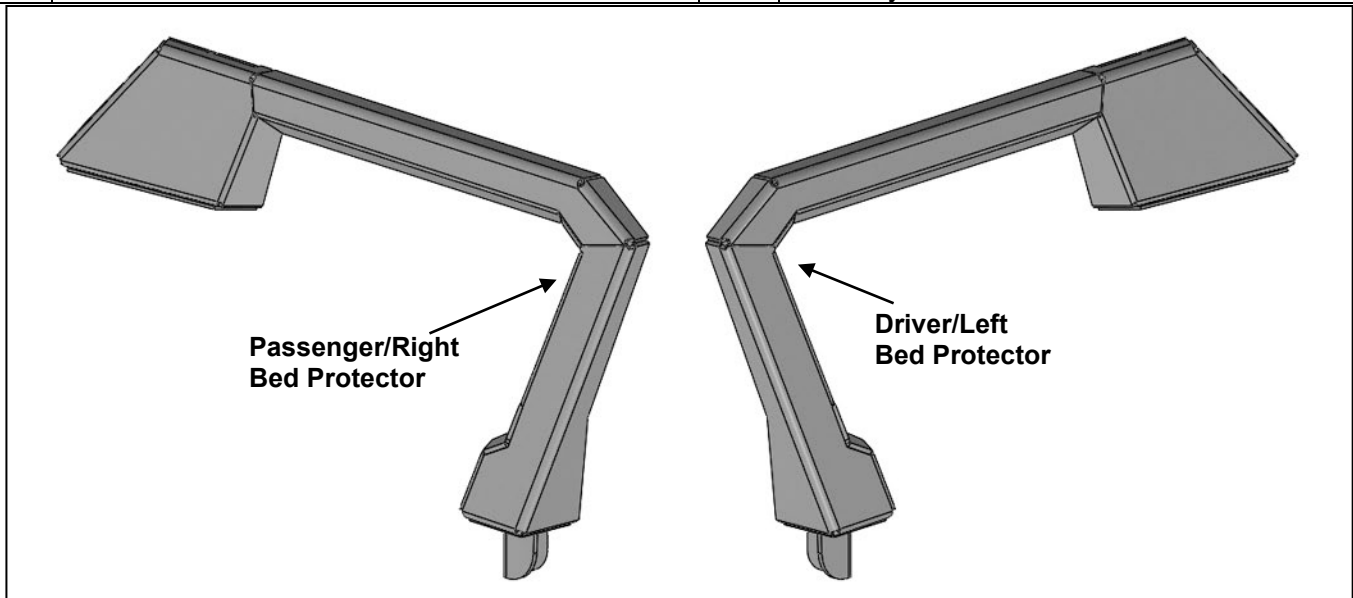


**2019-2020 GLADIATOR JT BED PROTECTOR
(REQUIRES JT-5100 FITS JL-2965 BUMPER)
PART #JT-5101**

PARTS LIST:

1	Driver/Left Bed Protector	4	10mm Nylon Lock Nuts
1	Passenger/Right Bed Protector	4	8mm x 25mm Hex Bolts
2	10mm x 35mm Double Bolts Plates	8	8mm x 20mm OD x 2mm Flat Washers
4	10mm x 24mm OD x 2.2mm Flat Washers	4	8mm Nylon Lock Nuts



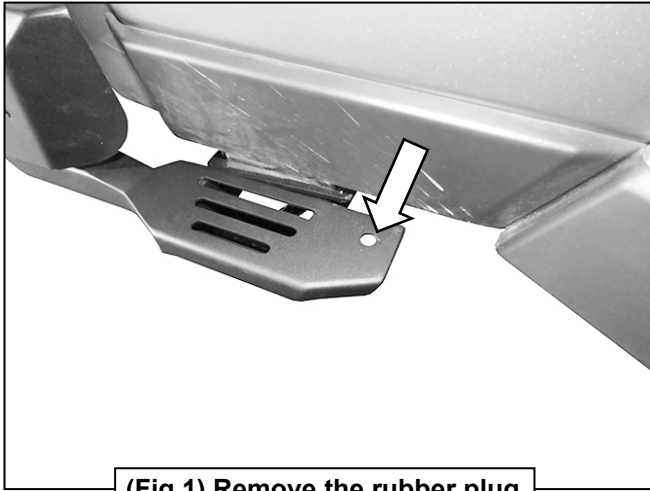
PROCEDURE:

REMOVE CONTENTS FROM BOX. VERIFY ALL PARTS ARE PRESENT. READ INSTRUCTIONS CAREFULLY BEFORE STARTING INSTALLATION. INSTALLATION REQUIRES BODY ARMOR REAR BUMPER AND BODY ARMOR BED GUARD.

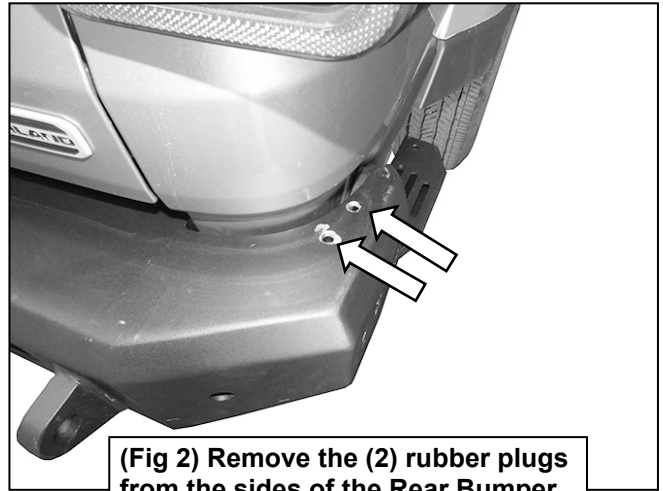
1. Start installation on the Passenger/Right side of the vehicle. Remove the rubber plugs in the top of the bed guard and the top edge of the rear bumper, **(Figures 1 & 2)**.
2. Select the Passenger/Right Bed Protector. Attach the Bed Protector to the top of the Passenger/Right bed guard with (1) 8mm Hex Bolt, (2) 8mm Flat Washers and (1) 8mm Nylon Lock Nut, **(Figures 3 & 5)**. Do not tighten hardware.
3. Attach the Lower tab on the Bed Protector to the bottom of the bed guard with (1) 8mm Hex Bolt, (2) 8mm Flat Washers and (1) 8mm Nylon Lock Nut, **(Figures 4 & 5)**. Do not tighten hardware.
4. Attach the Bed Protector to the Passenger/Right side of the bumper with (1) 10mm Double Bolt Plate, (2) 10mm Flat Washers and (2) 10mm Nylon Lock Nuts, **(Figures 6 & 7)**. Do not tighten hardware.
5. Repeat **Steps 1—4** to attach the Passenger/Right Bed Protector.
6. Do periodic inspections to the installation to make sure that all hardware is secure and tight.

To protect your investment, Do not use any type of polish or wax that may contain abrasives that could damage the finish. Mild soap may be used to clean the Bumper assembly.

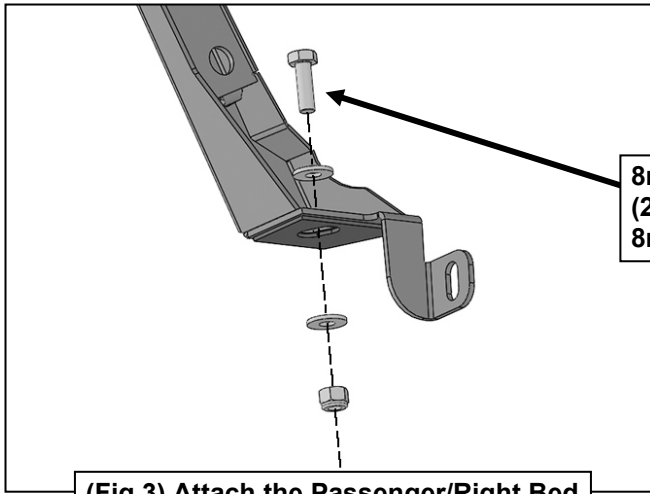
Passenger/Right Side Installation Pictured



(Fig 1) Remove the rubber plug from the end of the Bed Guard

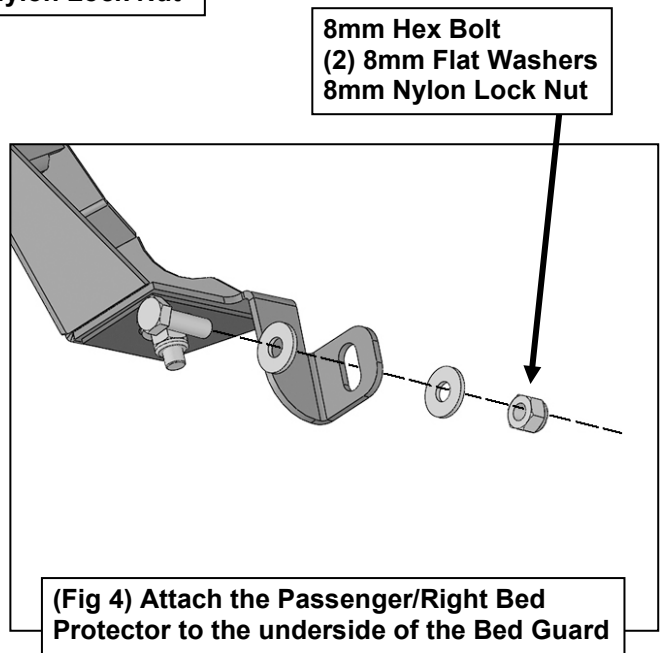


(Fig 2) Remove the (2) rubber plugs from the sides of the Rear Bumper



8mm Hex Bolt
(2) 8mm Flat Washers
8mm Nylon Lock Nut

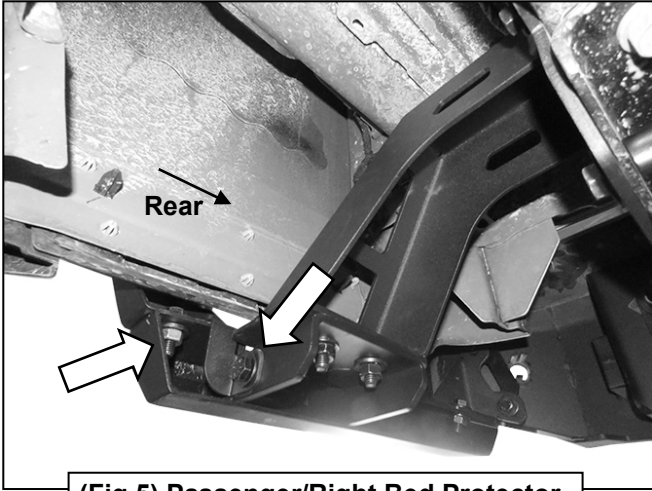
(Fig 3) Attach the Passenger/Right Bed Protector to the top of the Bed Guard



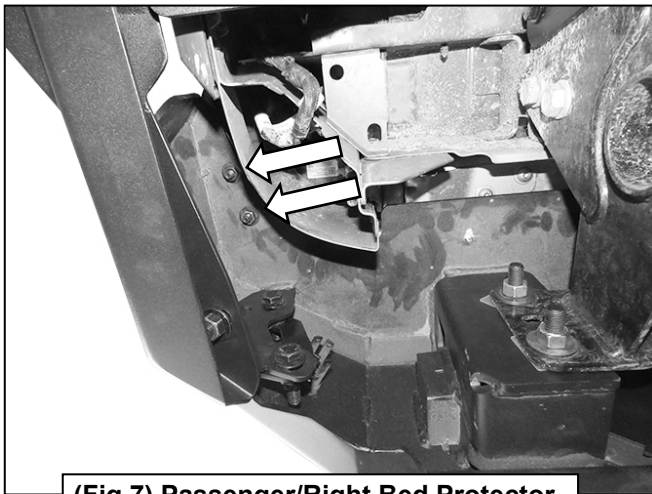
8mm Hex Bolt
(2) 8mm Flat Washers
8mm Nylon Lock Nut

(Fig 4) Attach the Passenger/Right Bed Protector to the underside of the Bed Guard

Passenger/Right Side Installation Pictured

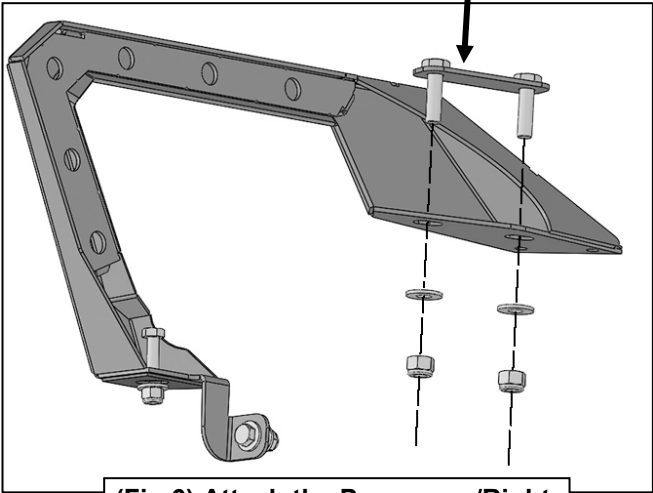


(Fig 5) Passenger/Right Bed Protector attached to the Bed Guard



(Fig 7) Passenger/Right Bed Protector attached to the Rear Bumper

- 10mm Double Bolt Plate
- (2) 10mm Flat Washers
- (2) 10mm Nylon Lock Nuts



(Fig 6) Attach the Passenger/Right Bed Protector to the Rear Bumper



Installation Complete