

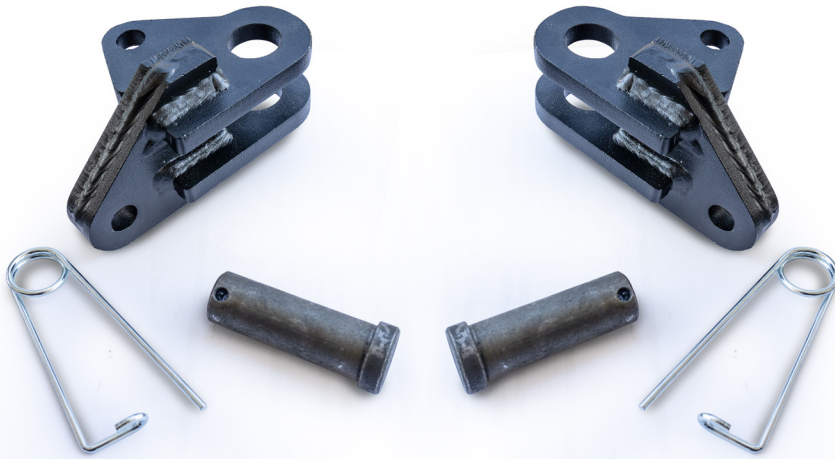


JL JK TOW ADAPTORS

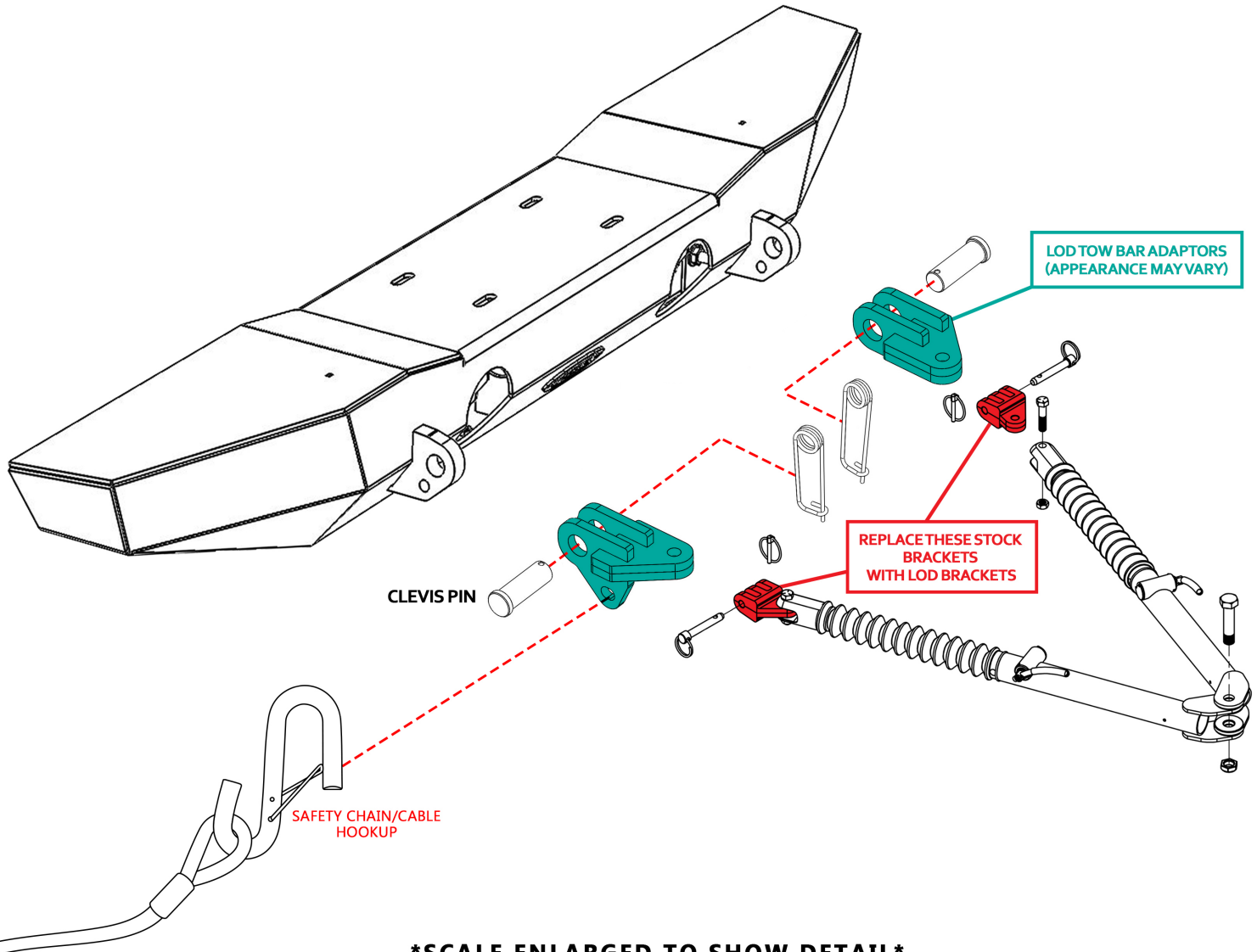
PLEASE READ THROUGH THE INSTRUCTIONS BEFORE BEGINNING ANY PART OF THE INSTALLATION PROCESS

WEB FILE:

<http://lodoffroad.com/assets/pdfs/JTK0720.pdf>



BLUE OX TOW BAR ADAPTORS

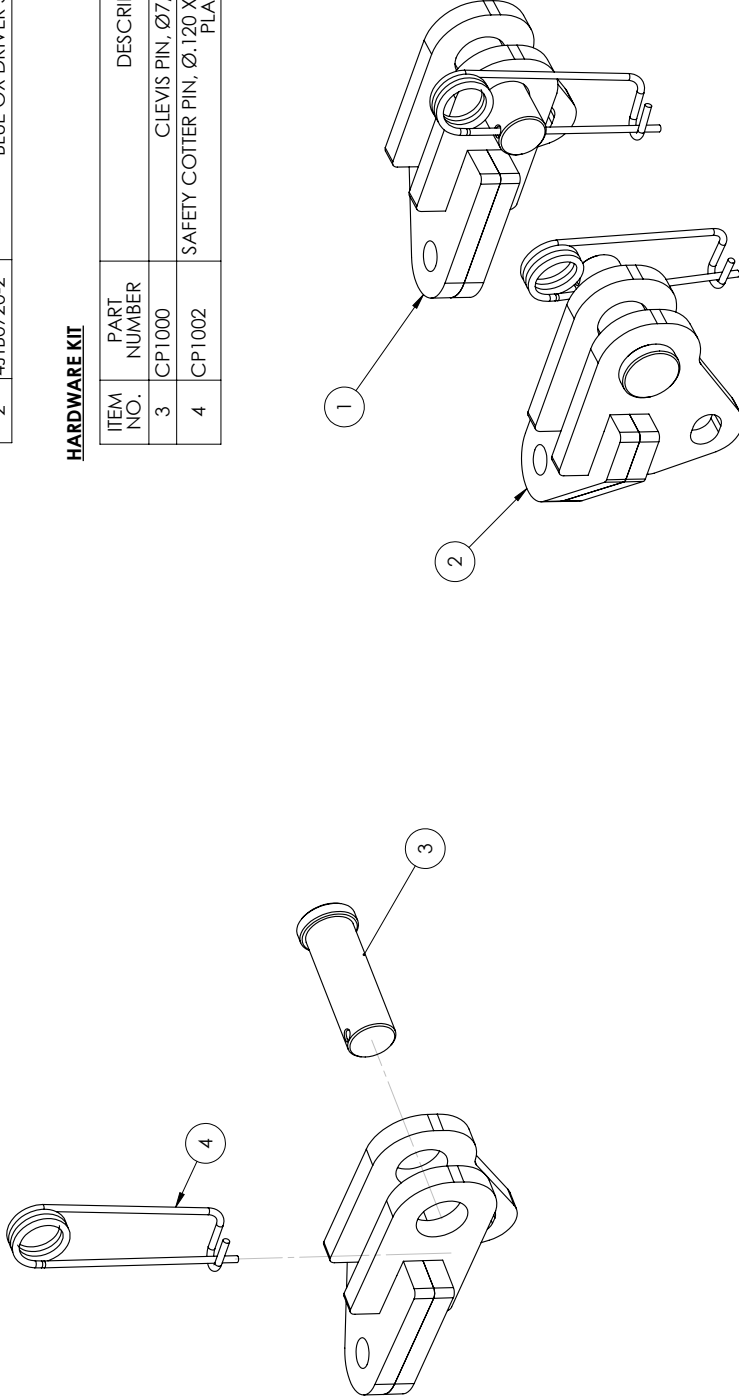


SCALE ENLARGED TO SHOW DETAIL

ITEM NO.	PART NUMBER	DESCRIPTION	QTY.
1	4JTB0720-1	BLUE OX PASS SIDE WELDMENT	1
2	4JTB0720-2	BLUE OX DRIVER SIDE WELDMENT	1

HARDWARE KIT

ITEM NO.	PART NUMBER	DESCRIPTION	QTY.
3	CP1000	CLEVIS PIN, Ø7/8" X 2 1/2" LG	2
4	CP1002	SAFETY COTTER PIN, Ø.120 X 4.375" LG X 13/16" W, ZINC PLATE	2



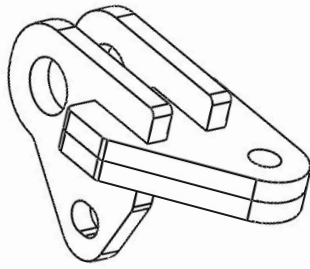
UNLESS OTHERWISE SPECIFIED: DIMENSIONS ARE IN INCHES TOLERANCES: ±0.010 ANGULAR: MACH±1° TWO PLACE DECIMAL THREE PLACE DECIMAL ±0.005		DRAWN	CHECKED	ENG APPR.	MEG APPR.	NAME	DATE
						MCH	5/11/2020
PROPRIETARY AND CONFIDENTIAL THE INFORMATION CONTAINED IN THIS DRAWING IS THE SOLE PROPERTY OF LOD. LLC. REPRODUCTION IN PART OR AS A WHOLE WITHOUT THE WRITTEN PERMISSION OF LOD. LLC IS PROHIBITED.		FINISH: BLACK POWDER COAT		MATERIAL: N/A		LOD LLC. DESCRIPTION: BLUE OX TOW BAR ADAPTER	
		DWG. NO. JTB0720		SCALE: 1:4		SHEET SIZE: B	
		REV C		SHEET 1 OF 1			



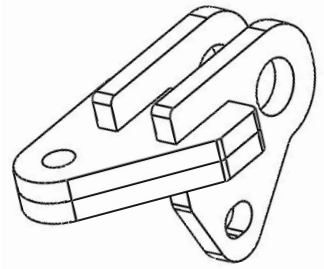
JL + JK Jeep
Blue Ox Tow Adaptors
SHIPPING SHEET

Packaged by:

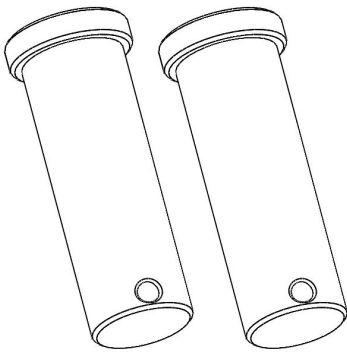
On:



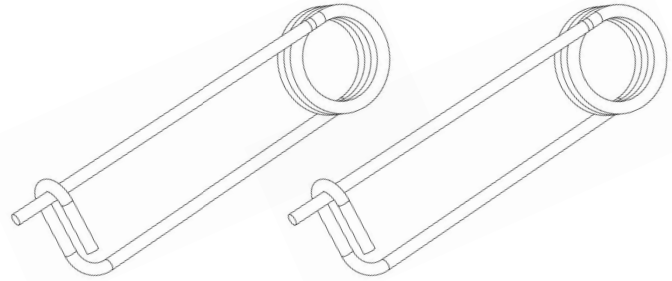
Tow Adaptor
Passenger **(1)**



Tow Adaptor
Driver **(1)**



Clevis Pins **(2)**



Safety Pins **(2)**