



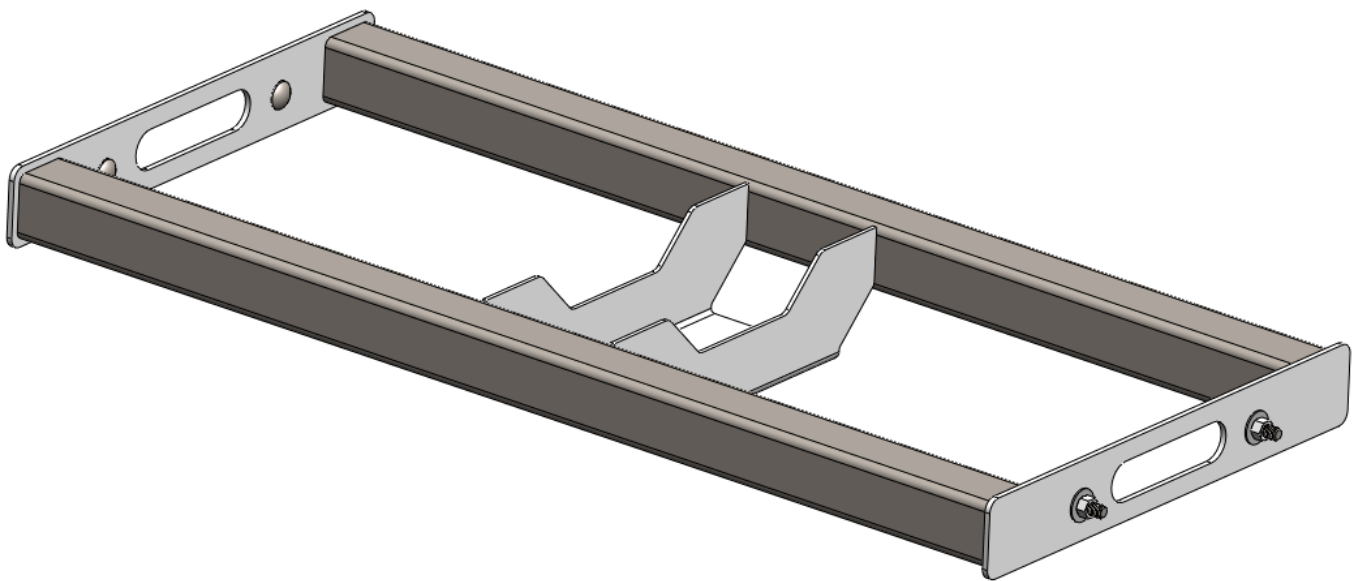
**BLACK OPS SERIES**

**JT**

JEEP JT BED RACK TIRE  
CARRIER



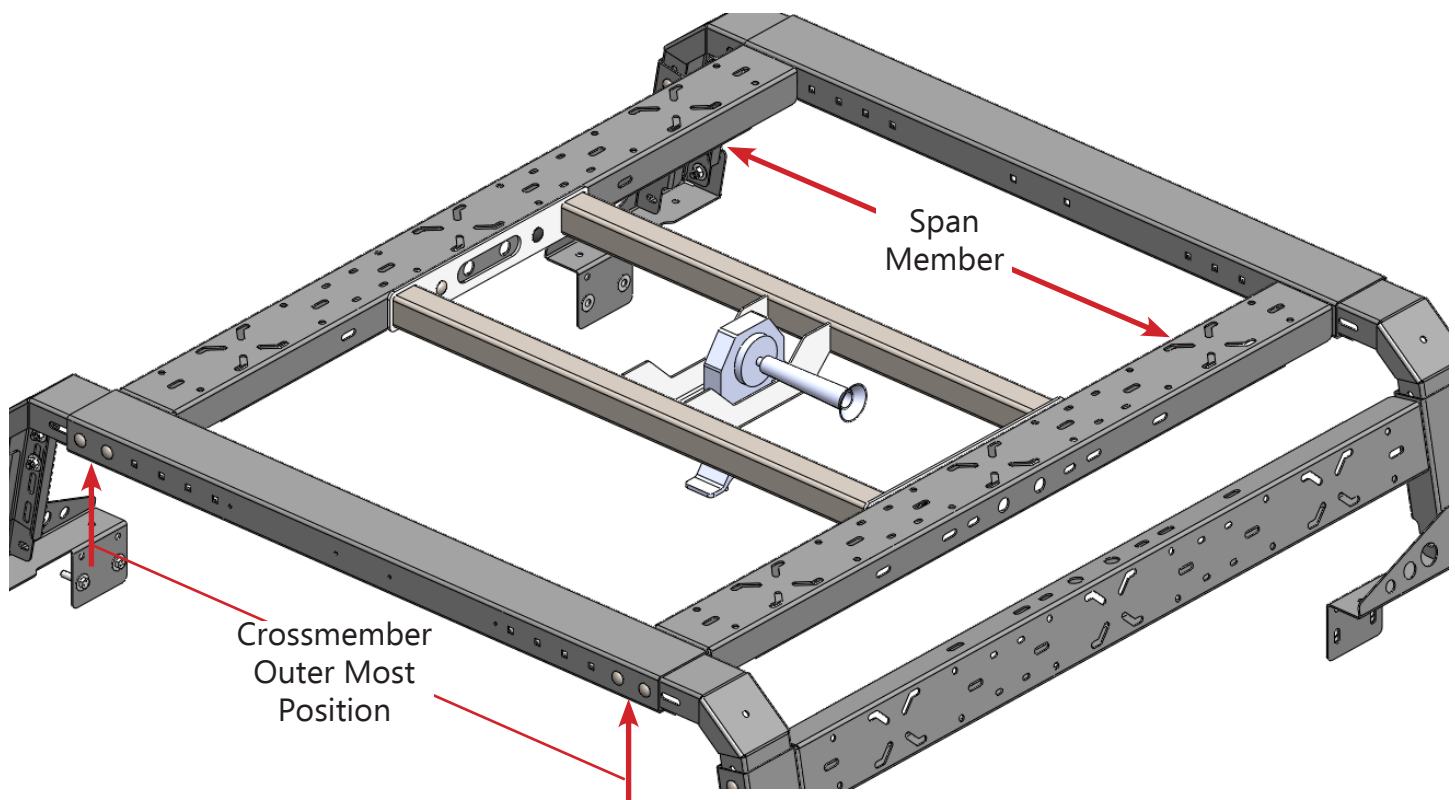
**\*VERIFY YOU HAVE ALL THE COMPONENTS BEFORE STARTING THE INSTALLATION. REFER TO THE ENGINEERING DRAWINGS AT THE END OF THIS DOCUMENT FOR A COMPLETE PARTS LIST\***



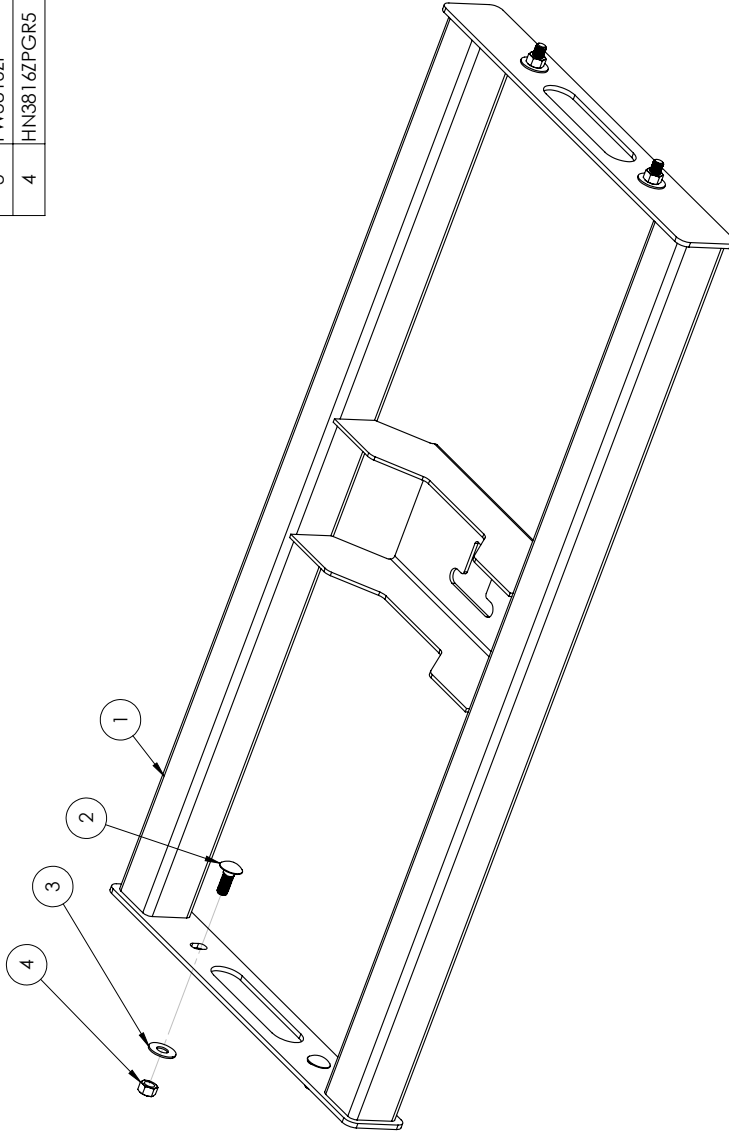
Install the Tire Carrier as shown in the image below. Align the slots on the Span Member with the mounting holes on the Tire Carrier. Install using the Ø3/8 Carriage Bolts, Nuts and Washers Provided.

The Span Members will need to be installed in the outer most positions on the Cross Member as shown below. You can orient the Tire Carrier so that the tire iron extension is accessible via the driver or passenger side.

Install your tire winch as shown. The Tire Carrier was designed to mount the stock Jeep Gladiator winch, but will also fit most aftermarket tire winches (some modifications may be required depending on the brand).



ITEM NO.	PART NUMBER	DESCRIPTION	QTY.
1	4JTC2020-01	TIRE CARRIER FRAME	1
2	CB381616ZPGR5	CARRIAGE BOLT 3/8-16 X 1.00 ZINC PLATE GR5	4
3	FW3816ZP	FLAT WASHER Ø3/8" X 1.00 ZINC PLATE	4
4	HN3816ZPGR5	HEX NUT 3/8-16 ZINC PLATE GR5	4



- NOTES:**
- JTC2020 = BARE STEEL OPTION
  - JTC2021 = BLACK POWDER COAT
  - WEIGHT = APPROX 25 LBS

UNLESS OTHERWISE SPECIFIED:		NAME	DATE
DIMENSIONS ARE IN INCHES		MCH	9/20/2022
TOLERANCES: ±0.010		DRAWN	
FRACTIONS: 1/16, 1/8, 1/4, 3/8, 1/2		CHECKED	
ANGLES: 15, 30, 45, 60, 75, 90, 105, 120, 135, 150, 165, 180		ENG APPR.	
THREE PLACE DECIMAL ±0.005		MFG APPR.	
<b>PROPRIETARY AND CONFIDENTIAL</b>		MATERIAL:	
THE INFORMATION CONTAINED IN THIS DRAWING IS THE SOLE PROPERTY OF LOD LLC. ANY REPRODUCTION IN PART OR AS A WHOLE WITHOUT THE WRITTEN PERMISSION OF LOD LLC IS PROHIBITED.		FINISH:	
		SEE NOTES	
		ECO:	
		DWG. NO.	JTC2020
			JTC2021
		SCALE:	1:4
		SHEET SIZE:	B
		REV	A
			SHEET 1 OF 1



LOD LLC.

DESCRIPTION:  
JEEP JT BED RACK TIRE CARRIER

DESCRIPTION:  
JEEP JT BED RACK TIRE CARRIER

DWG. NO. JTC2020  
JTC2021

SCALE: 1:4 SHEET SIZE: B

REV A

SHEET 1 OF 1



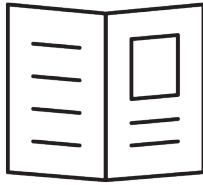
**JT Jeep**  
**BLACK OPS SERIES**  
 JEEP JT BED RACK  
 TIRE CARRIER  
 SHIPPING SHEET

Packaged by:

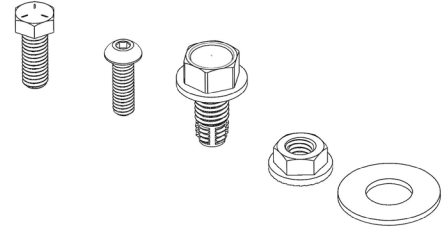
\_\_\_\_\_

On:

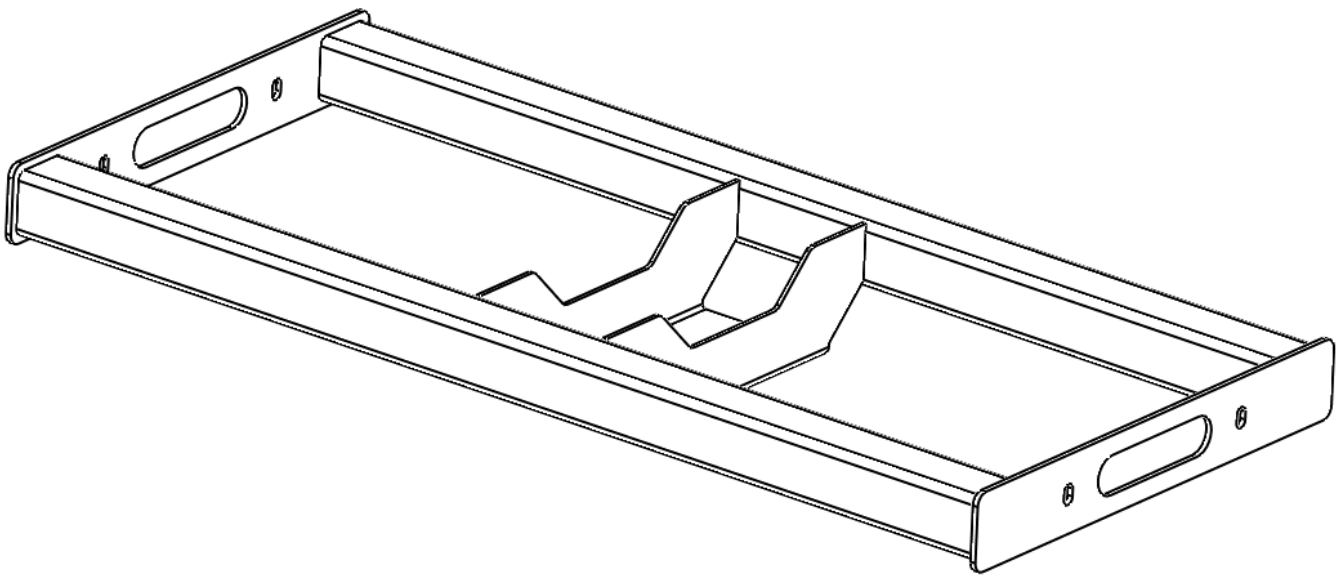
\_\_\_\_\_



Instruction  
Booklet



BOLT KIT  
(may vary)



TIRE CARRIER FRAME  
 4JTC2020-01  
**(x1)**





**JT Jeep  
BLACK OPS SERIES**

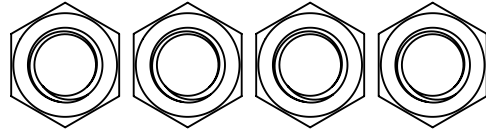
JEEP JT BED RACK  
TIRE CARRIER  
BOLT KIT

Packaged by:

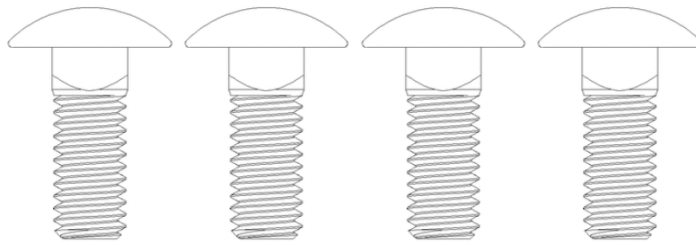
\_\_\_\_\_

On:

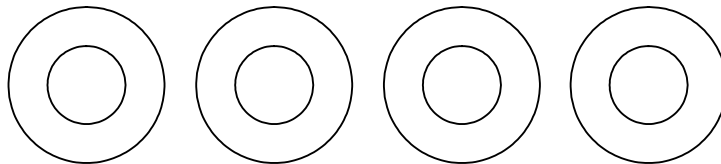
\_\_\_\_\_



HEX NUT 3/8-16  
1136306  
**(x4)**



CARRIAGE BOLT 3/8-16 X 1.00  
(0155068)  
**(x4)**



FLAT WASHER  
Ø3/8 X 1.00  
**(x4)**

