

VECTOR GRILL

INSTALLATION GUIDE

TOOLS NEEDED:

- Flat-head Screwdriver
- T-15 Torx Screwdriver
- 15mm Deep Socket

Step 1:

INSTALLATION VIDEOS:

DIY TUTORIAL



vimeo.com/243023048

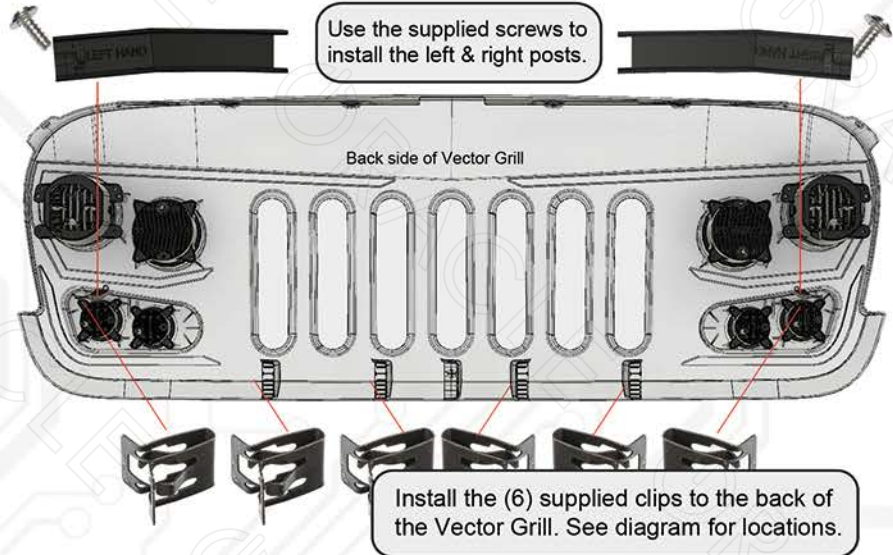
OPEN BOX



vimeo.com/253869166

PAINTING YOUR GRILL?

WATCH THIS FIRST: vimeo.com/266781599



- 2** Use a flat head screwdriver or panel tool to remove the 6 clips holding the OEM grill in place.



- 3** Twist and unplug the turn signal sockets from the OEM grill. Remove the turn signal bulbs.



- 4** Start from the bottom and pull back on the OEM grill to release it from its fasteners.



- 5** Once the OEM grill is removed, use a T15 torx to remove the headlight adjuster.

QUESTIONS? www.OracleLights.com/VectorFAQ



6 Once the adjuster is removed, the headlight and bracket can now be separated from the vehicle.



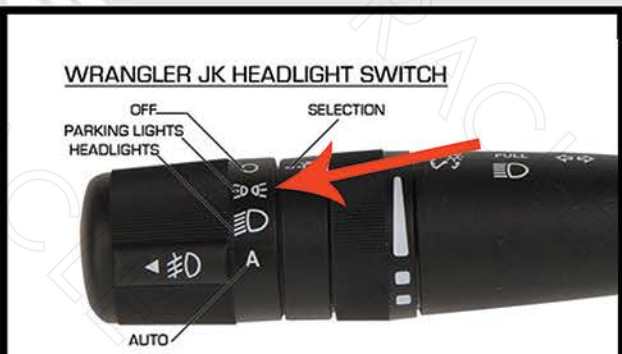
7 Unplug the OEM headlight adapter from the factory wiring harness.



8 Use a 15mm Socket to remove the two headlight posts. Refer to picture above for the locations.



9 Plug the Vector Grill fog light adapter into the OEM turn signal socket.



10 Now switch on the Parking Lights and CHECK to be sure the DRL Turns on if not unplug Step 9 and reverses the plug direction and test again.



10 Locate the H13 headlight socket, and plug the Vector Grill headlight adapter into the socket. Check your connector: <https://bit.ly/2xaSeNN>



11 There is a pin in the center of the grill. Make sure that is lined up first, then apply pressure to the bottom of the grill to snap in place.



12 Once the Vector Grill snaps in place, re-install the 6 clips on the top of the grill. Apply the rubber gasket across the top of the Grill and enjoy!

QUESTIONS? www.OracleLights.com/VectorFAQ