

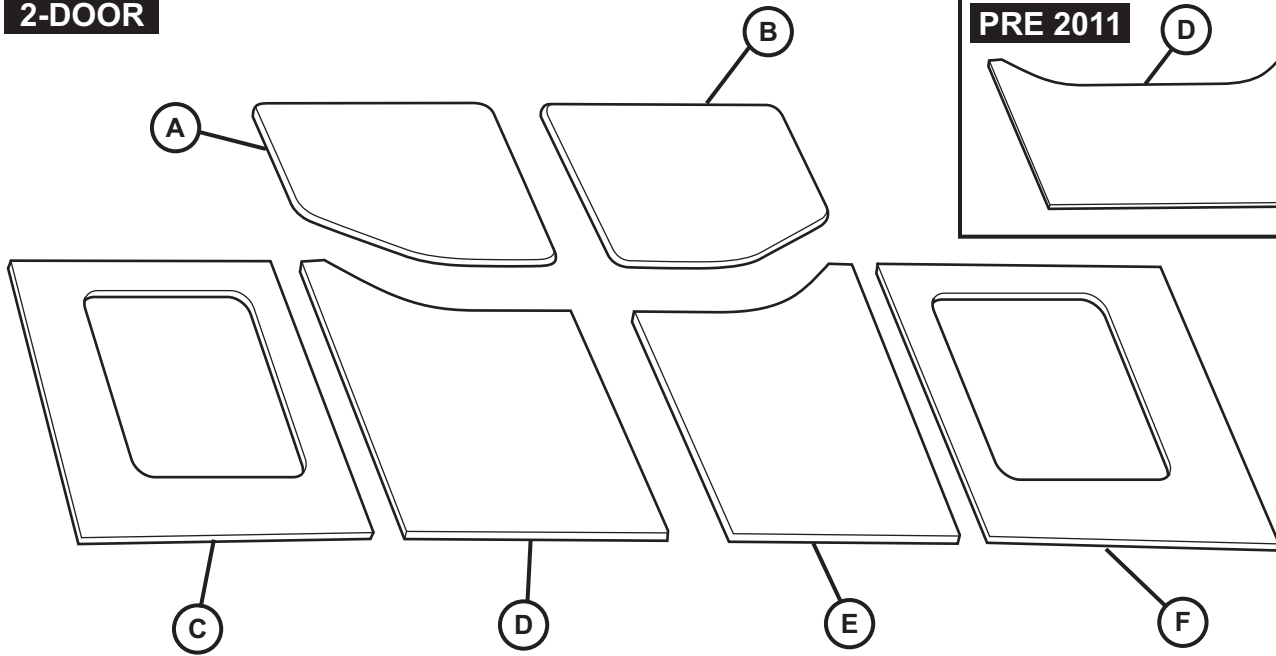


MOPAR. www.mopar.com

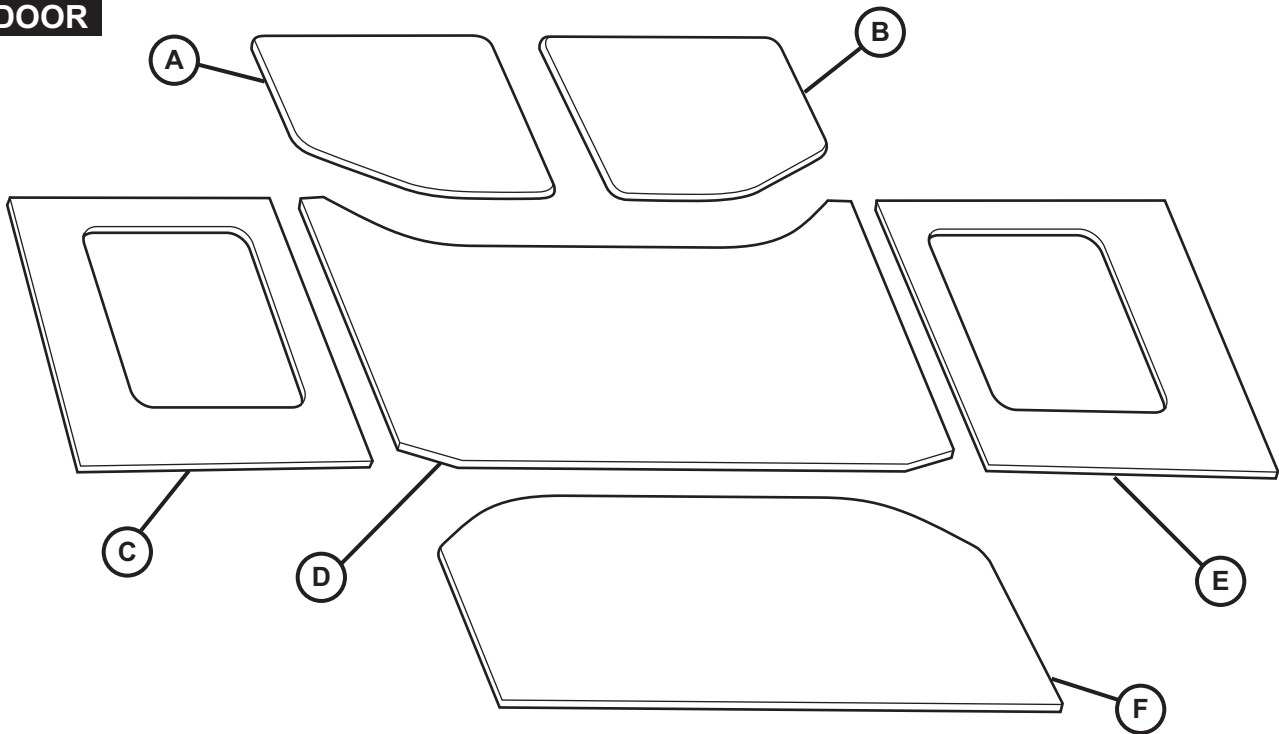
JEEP WRANGLER

TOP LINER

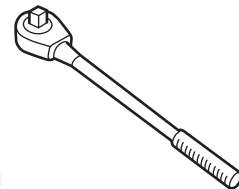
2-DOOR



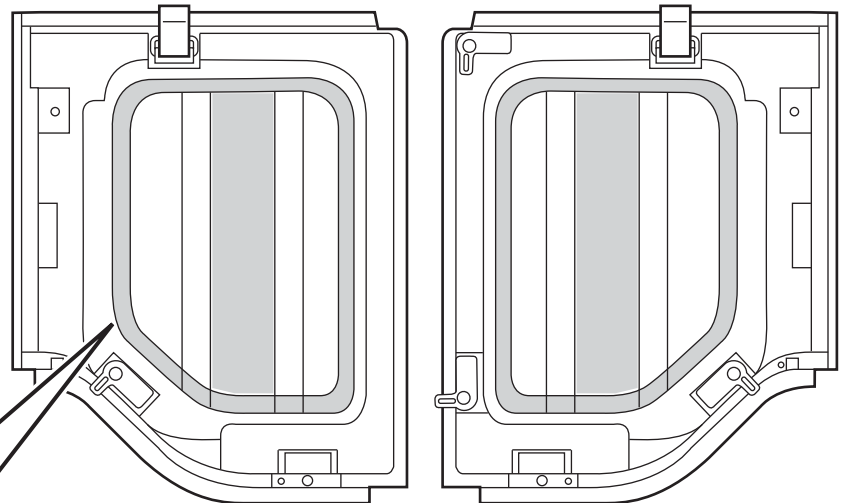
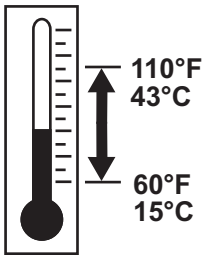
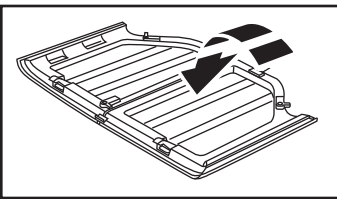
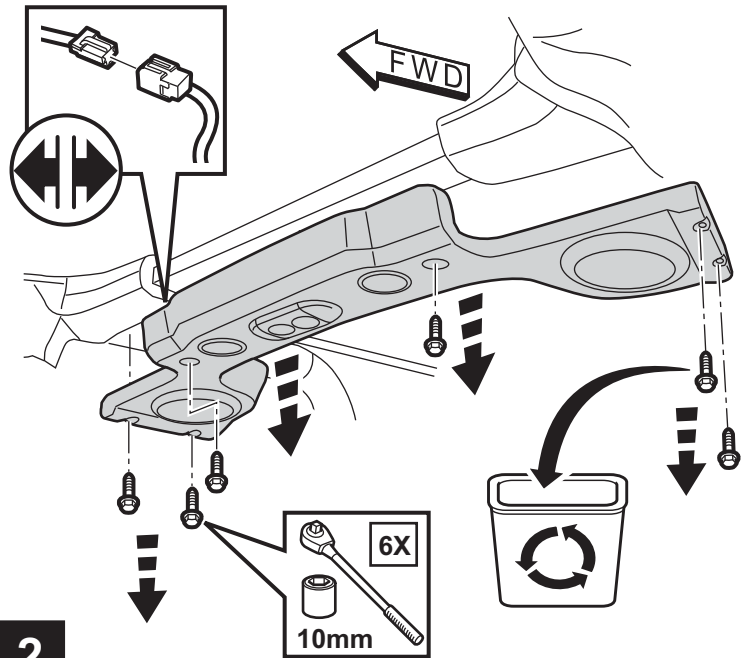
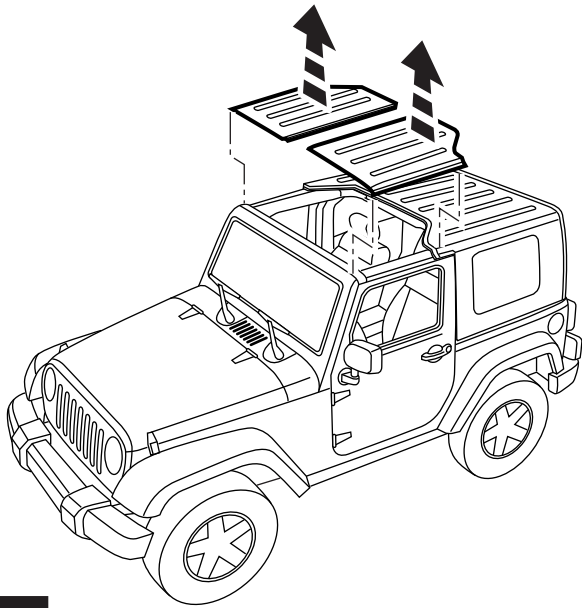
4-DOOR



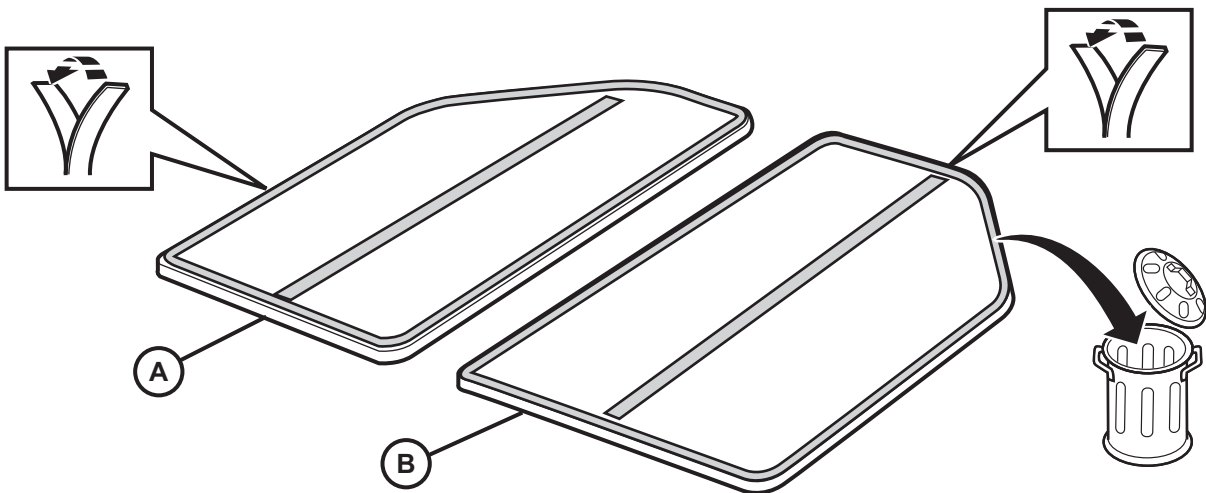
10mm

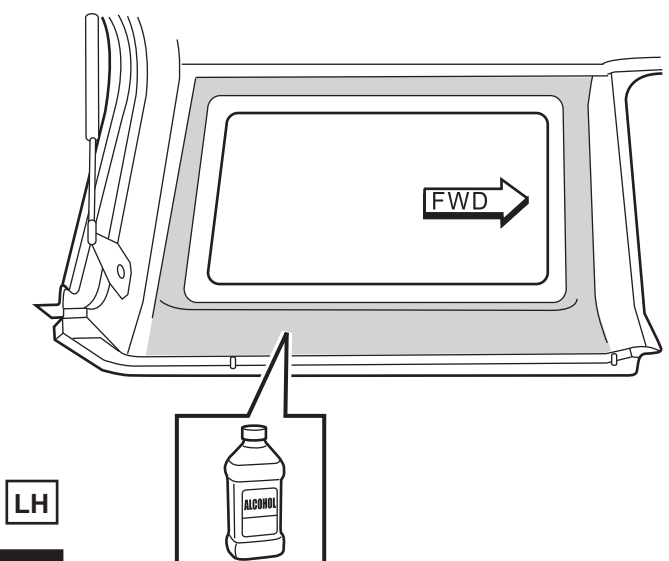
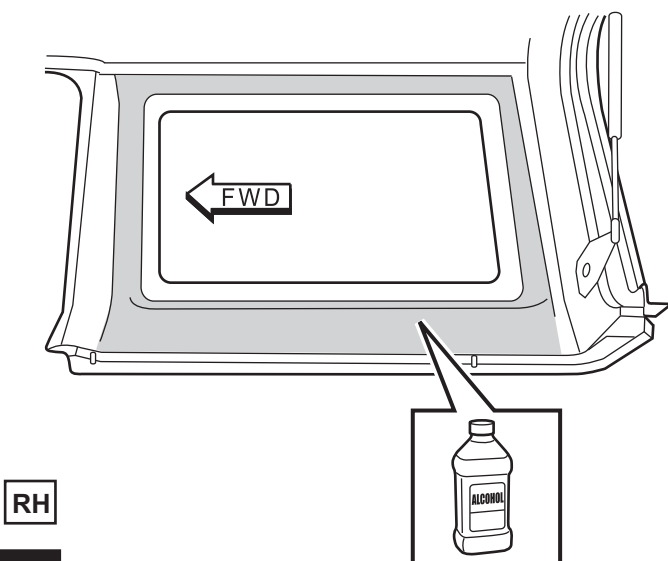
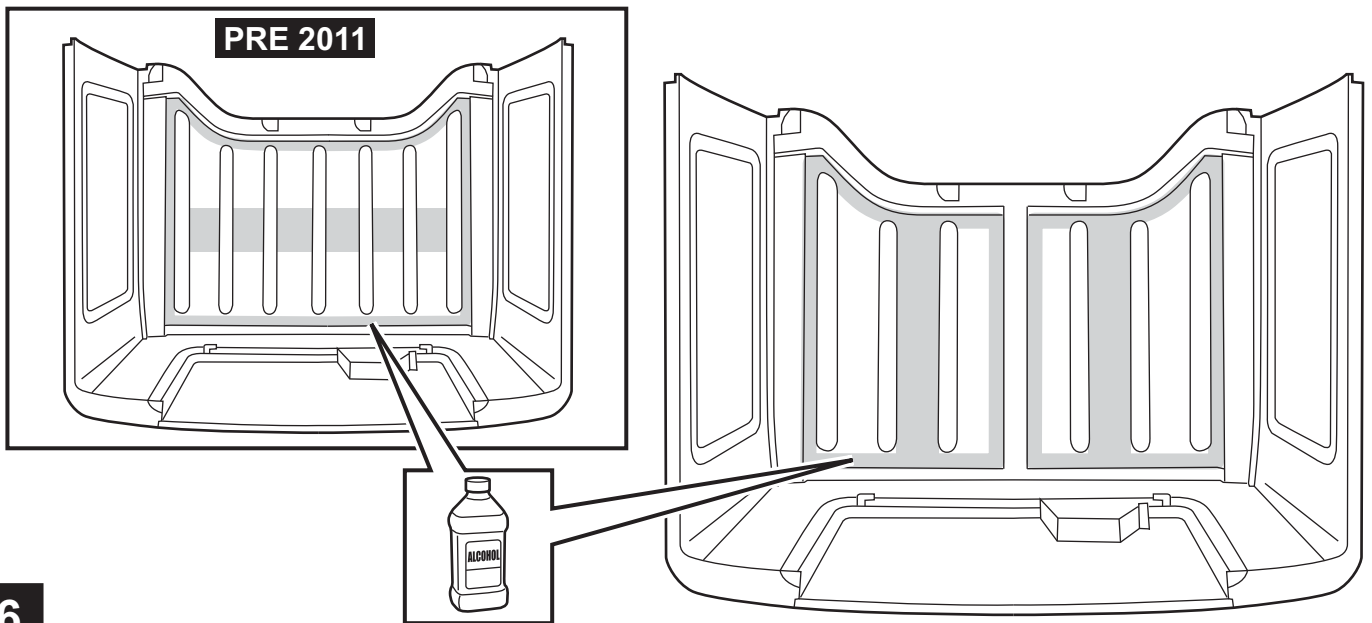
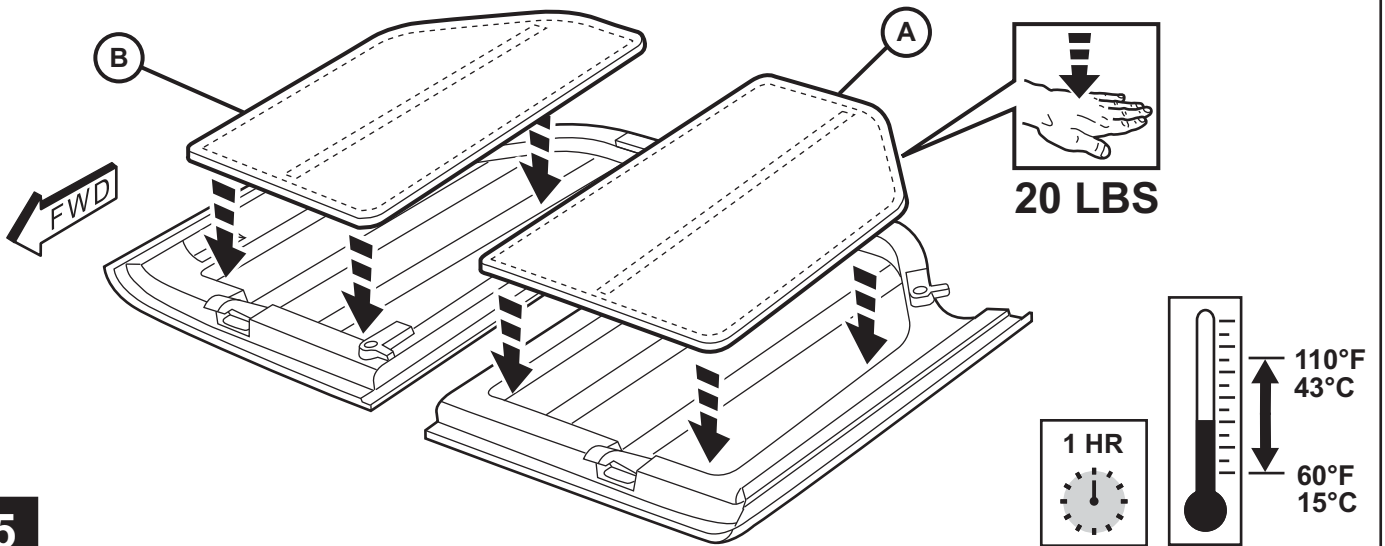


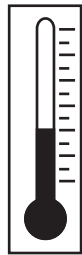
2-DOOR



3

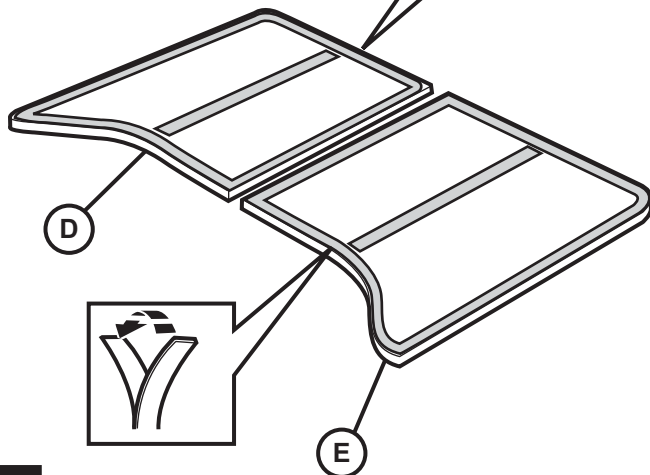




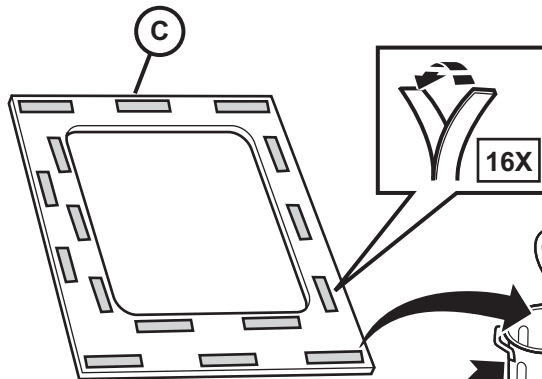


110°F
43°C

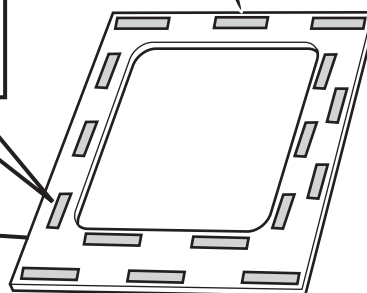
60°F
15°C



9



F



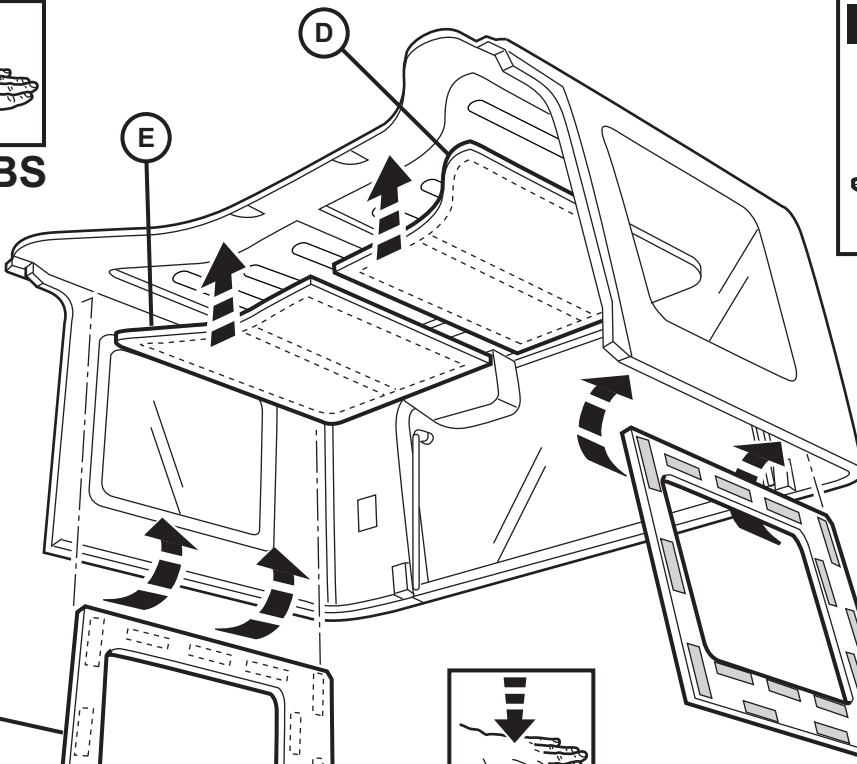
10



20 LBS

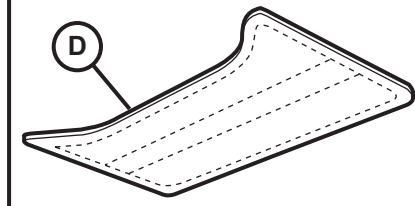
D

E



PRE 2011

D

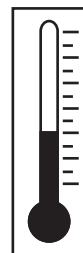


F



20 LBS

1 HR

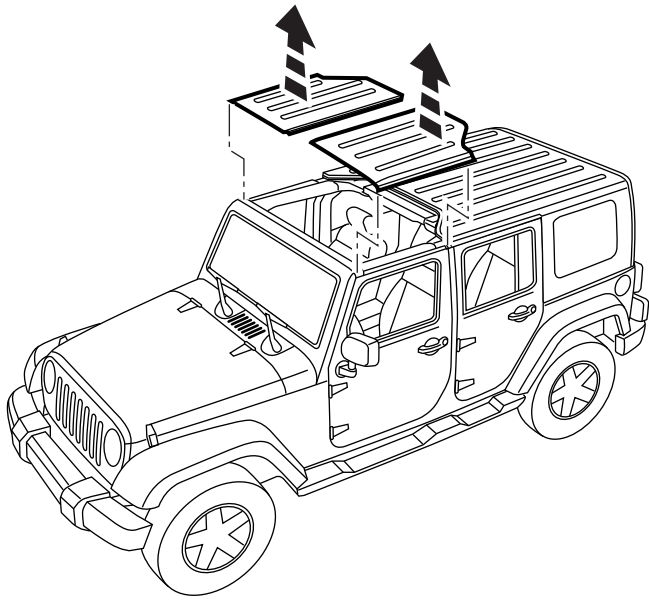


110°F
43°C

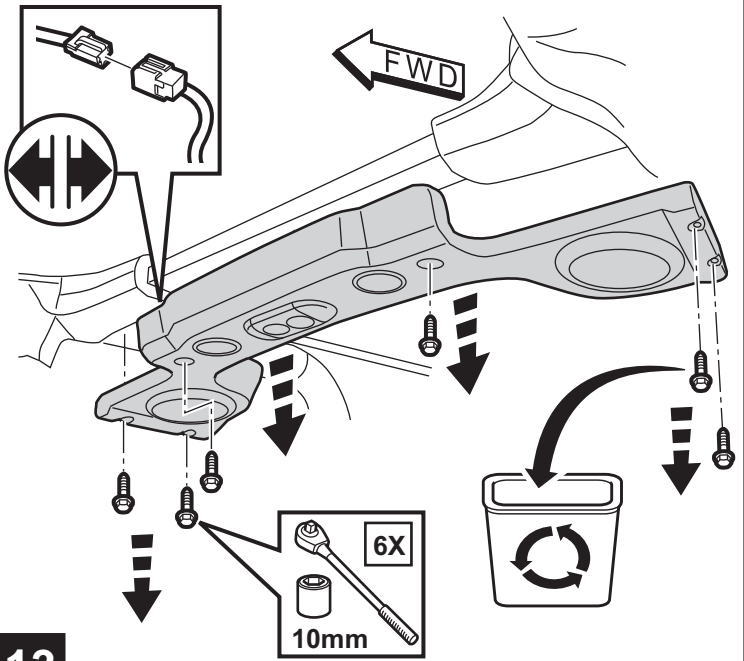
60°F
15°C

11

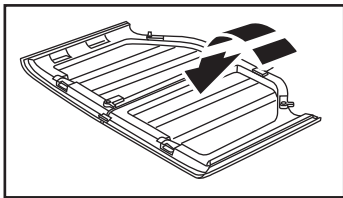
4-DOOR



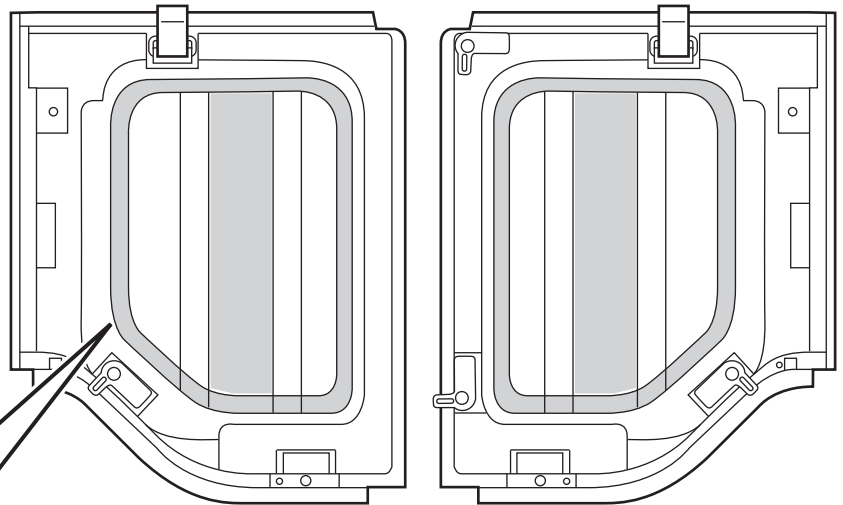
12



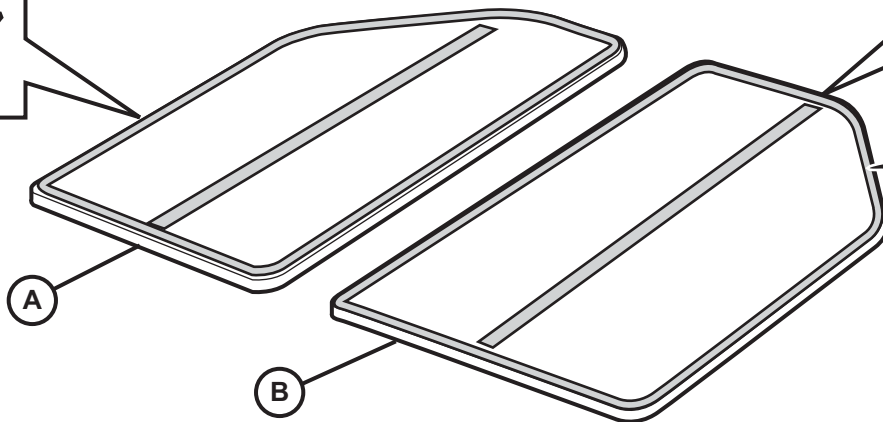
13



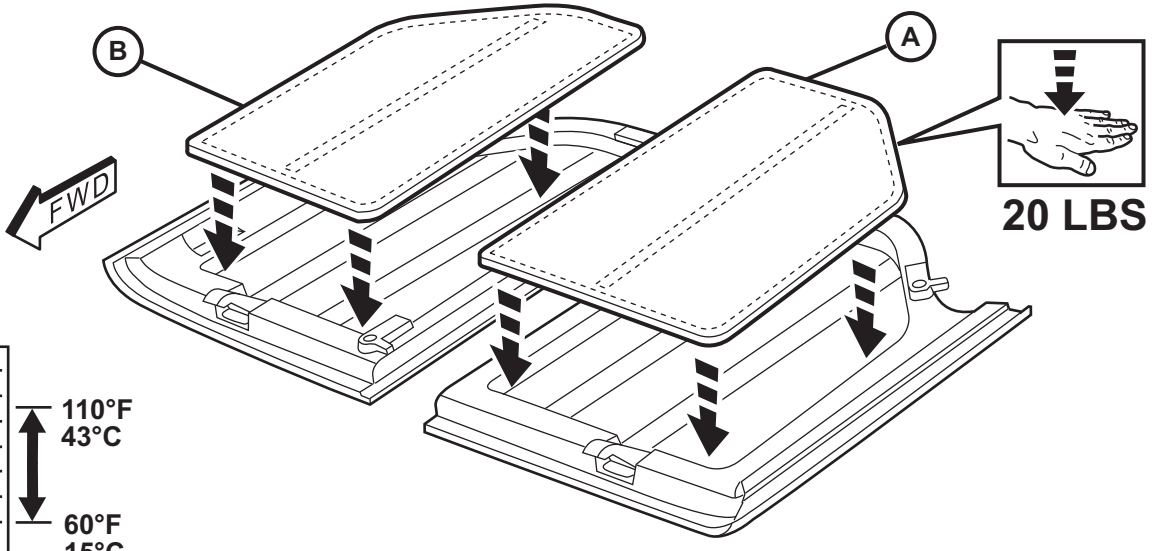
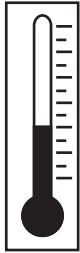
110°F
43°C
60°F
15°C



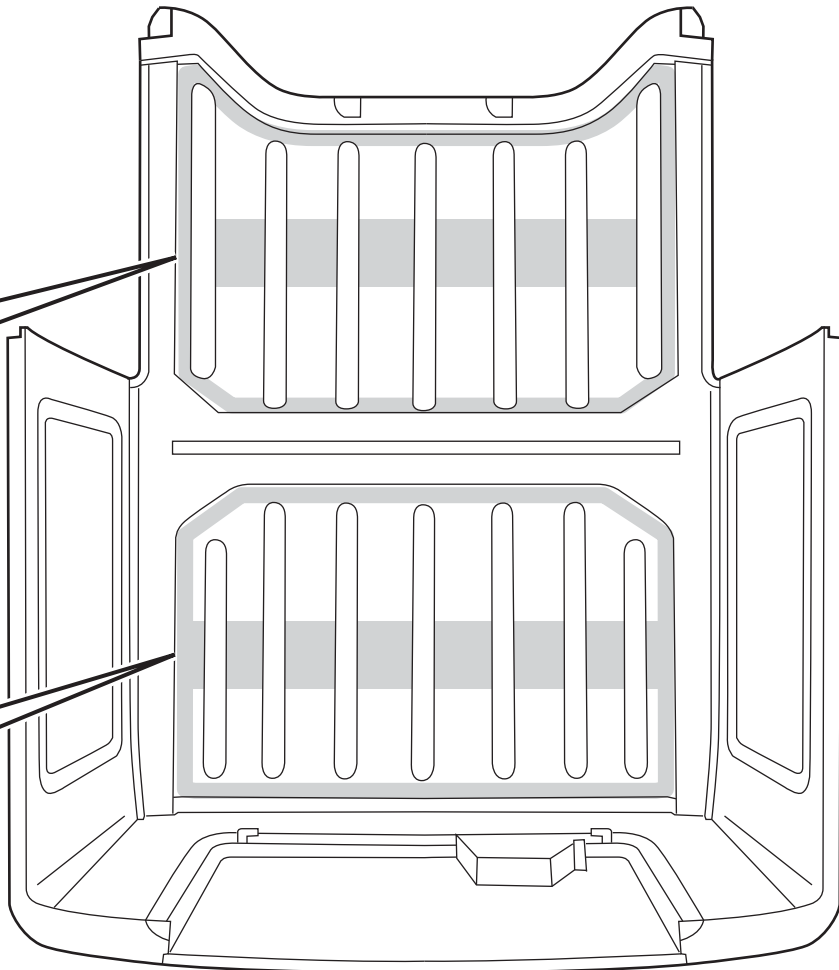
14



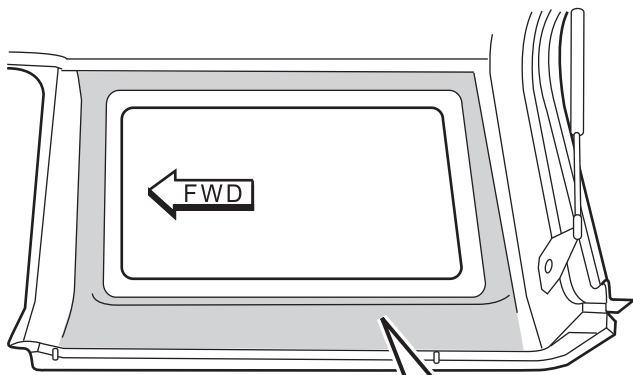
15



16

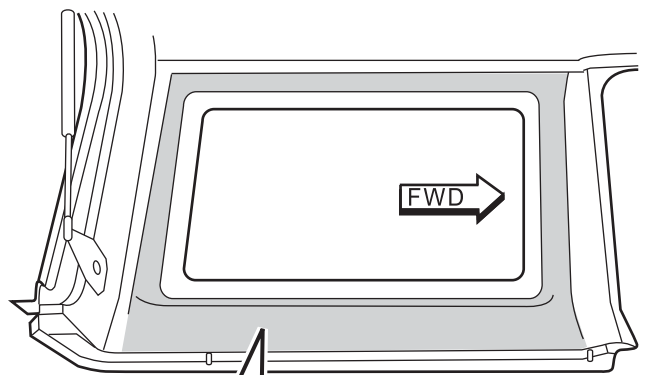


17



RH

18

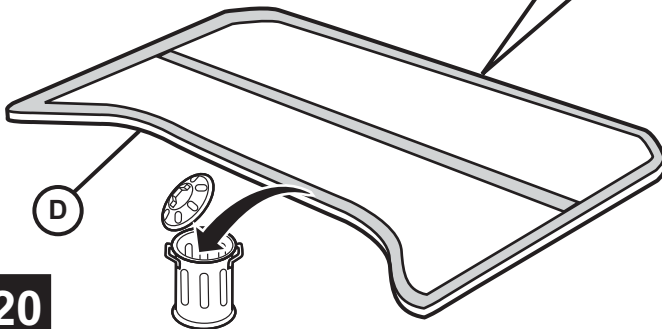


LH

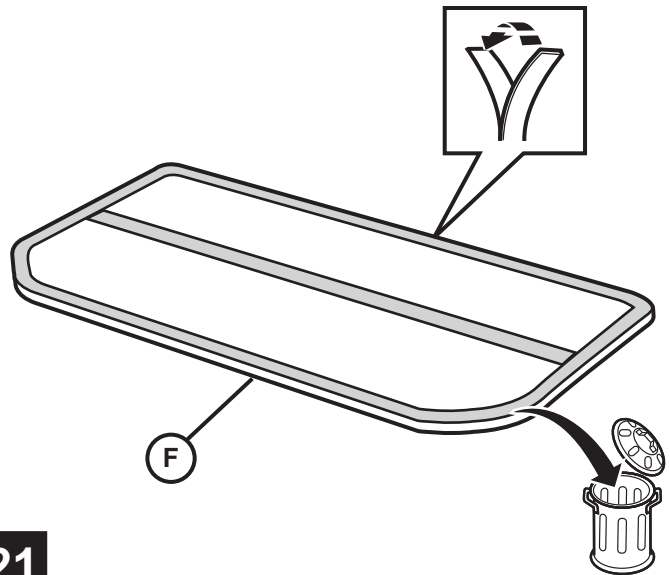
19



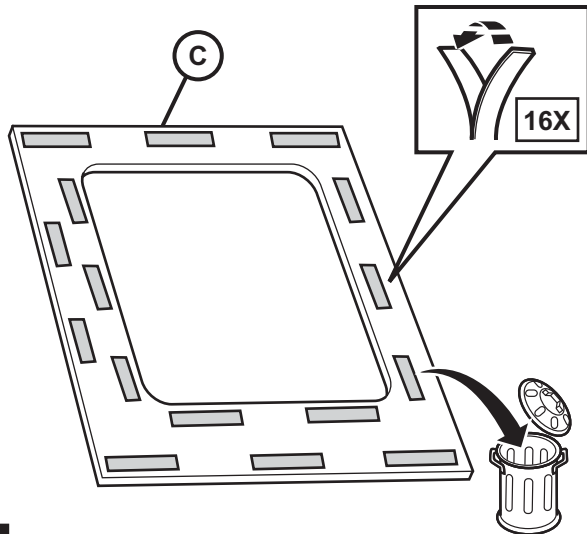
110°F
43°C
60°F
15°C



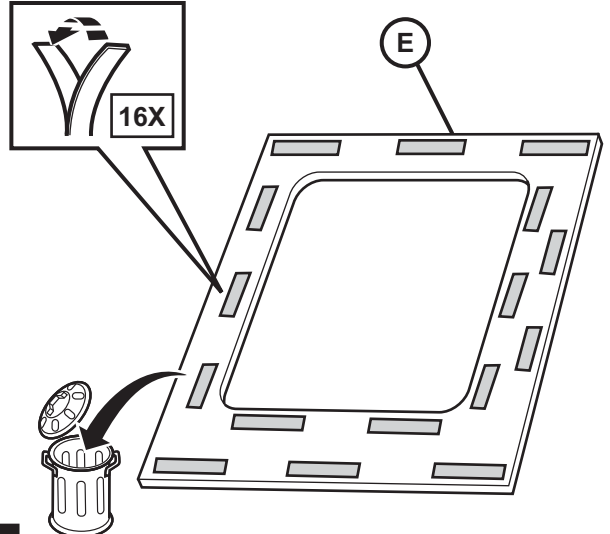
20



21



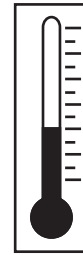
22



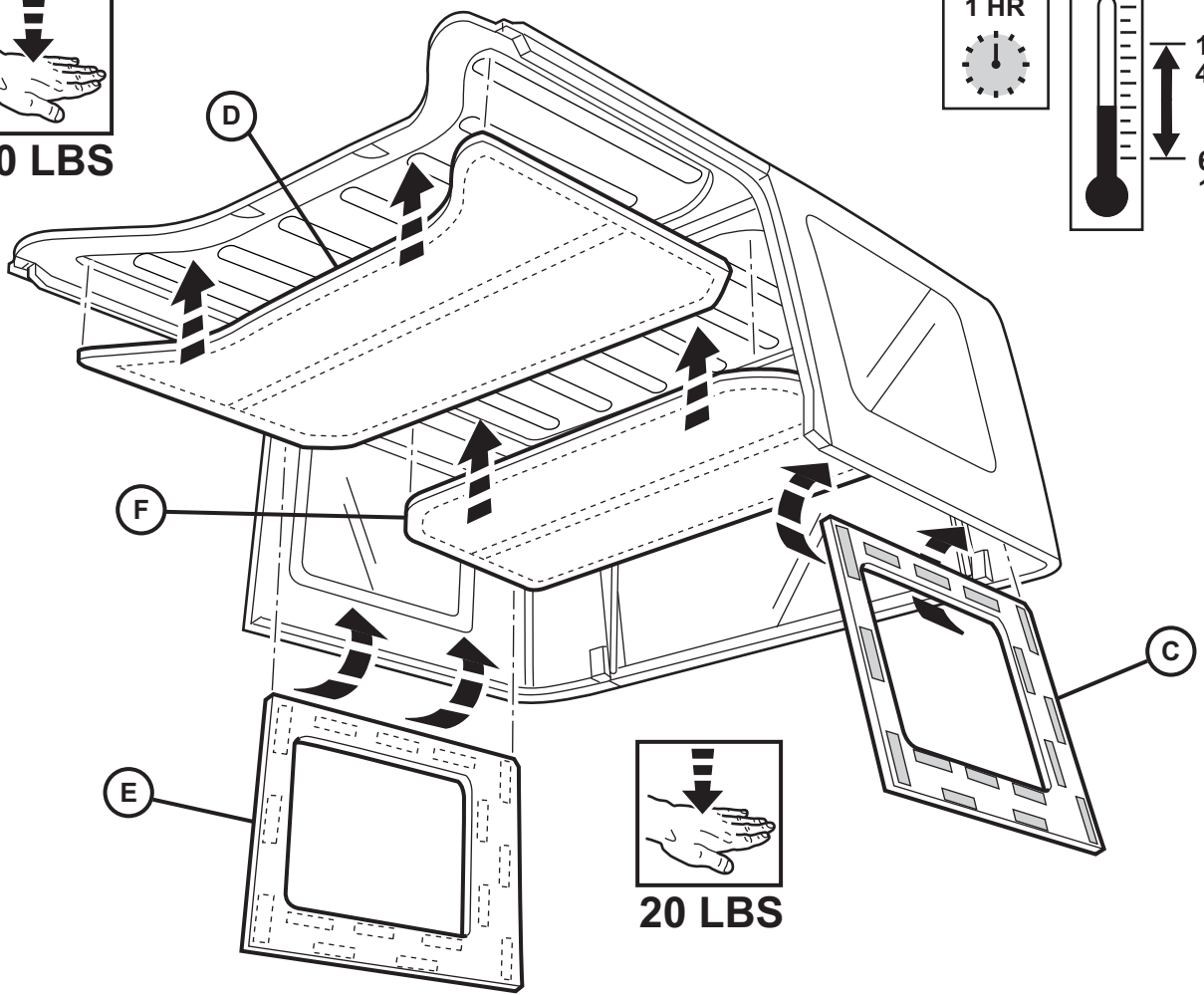
23



20 LBS

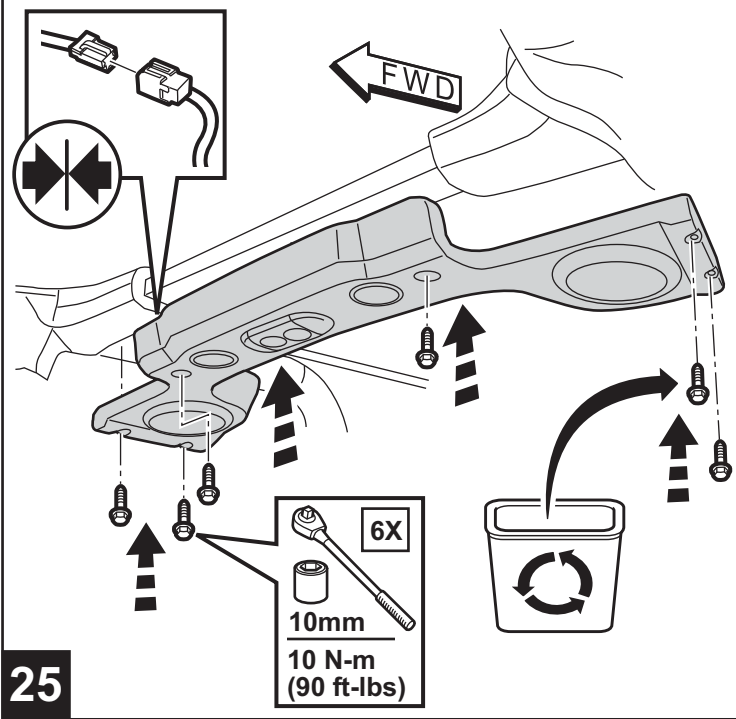


110°F
43°C
60°F
15°C



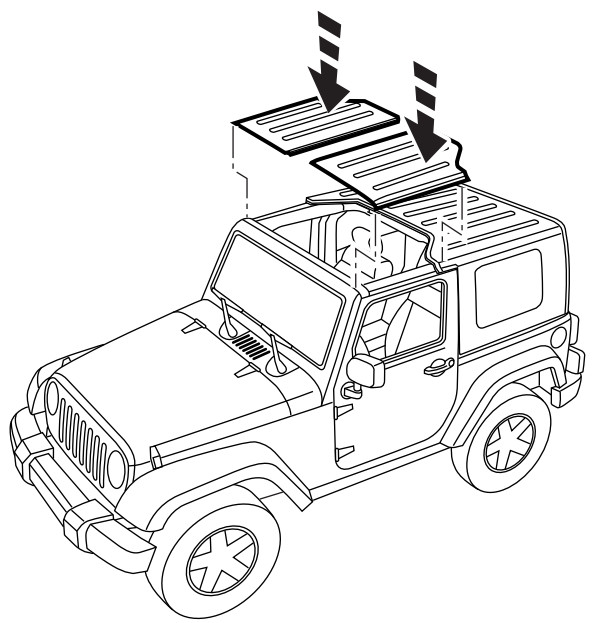
24

2-DOOR AND 4-DOOR



25

2-DOOR AND 4-DOOR



26