



# DECKED Storage System



## Installation Instructions: MJ1

# JEEP GLADIATOR 5'3" BED LENGTH

(2020-CURRENT)

## TOOLS REQUIRED

- adjustable wrench (that opens to about 1")
- 1/2" open end wrench
- #2 Phillip screwdriver
- short 7/32" hex wrench
- 3/8" socket
- 7/16" deep socket
- electric drill
- 9/64" drill bit
- drill stop
- Torx 45 driver
- 10" socket extension

Watch short installation videos at [www.decked.com/video](http://www.decked.com/video) | Register your system at [www.decked.com/warranty](http://www.decked.com/warranty)

FOLLOW US:      @DECKEDUSA | #DECKEDUSA

VERSION 4

DECKED.COM | 208.806.0251

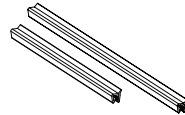
# CONTENTS

## DECKED carton

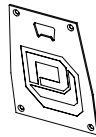
- LEFT deck half - 1
- RIGHT deck half - 1
- Center vert - 1
- Cabside vert - 1
- Drawer - 2
- Left ammo can - 1
- Right ammo can - 1
- Ammo can lid - 2
- Left stud - 1
- Right stud - 1
- C-channel - 2
- Ruler - 1
- Hardware box - 1
- Torsion brace - 1

## Hardware box - unbagged components

(inside DECKED carton):



Weather strips - 2

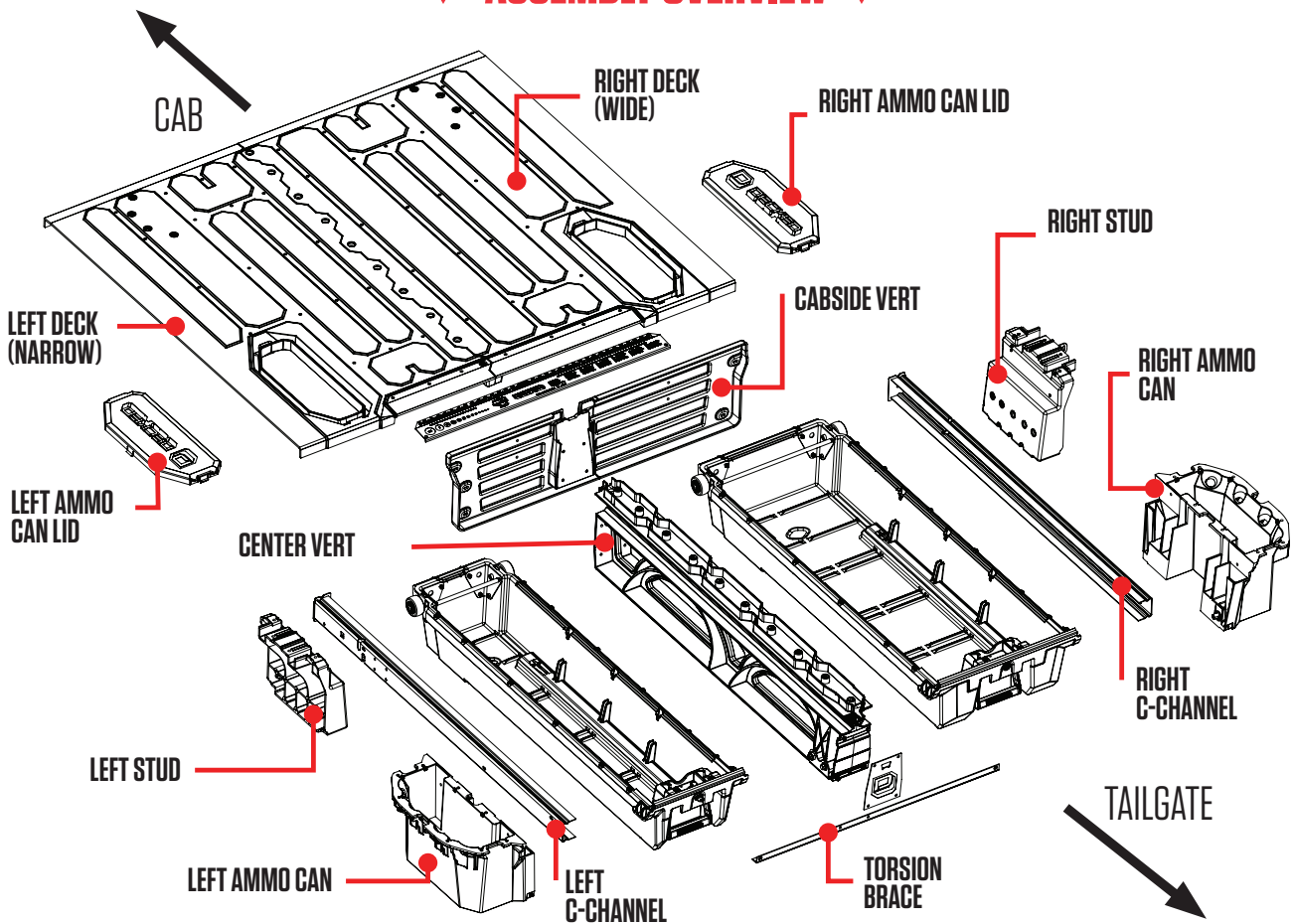


Bottle opener - 1

## HARDWARE box - bagged components

- PREP MJ1 - 1
- S1 - 1
- N1 - 1
- J7C - 2
- DRAWER 1 - 1
- DRAWER 2 - 1
- WHEELS C - 1
- FINAL MID - 1
- PREP-EXTRA - 1
- MS WASHERS - 1
- BED TAPE MJ1 - 1
- SHIM-JEEP GLADIATOR - 1

## ASSEMBLY OVERVIEW



*Need Help? Watch our installation videos or call us. We're happy to help!*

**DECKED.COM/VIDEO**

## ▼ HEY! TORQUE BOY: READ BEFORE YOU INSTALL DECKED ▼

1. **DON'T** be an idiot read the instructions.
2. Use fingers to start all bolts to avoid cross-threading.
3. **DON'T** over tighten bolts, get em' hand-tight.
4. **DON'T** use power tools.
5. If you don't follow directions and *do* use power tools:
  - 1). Set clutch at a very low setting. 2). If you blow it, see NOTE.\*
6. **DON'T** over tighten J-hooks during installation. Make 'em good and snug enough to keep the system from moving in the bed.
7. Nice job if you're still reading .

**NOTE\*** Two extra threaded inserts are included in **BAG PREP-EXTRA**. That's all you get. The inserts will replace any stripped inserts in the tailgate ammo cans, but **NOT THE CENTER VERT**, so hand tighten until snug only! You can also screw the inserts back in if dislocated. There is a straight screwdriver slot on the underside of the insert.

**TAILGATE** ammo cans have wide bottoms; **CABSIDE** ammo cans have narrow bottoms.

**NOTE:** You will need a buddy to help with exactly two steps.

*Prevent abusive, expletive-filled language, watch our detailed installation video or give us a call. We're happy to help!*

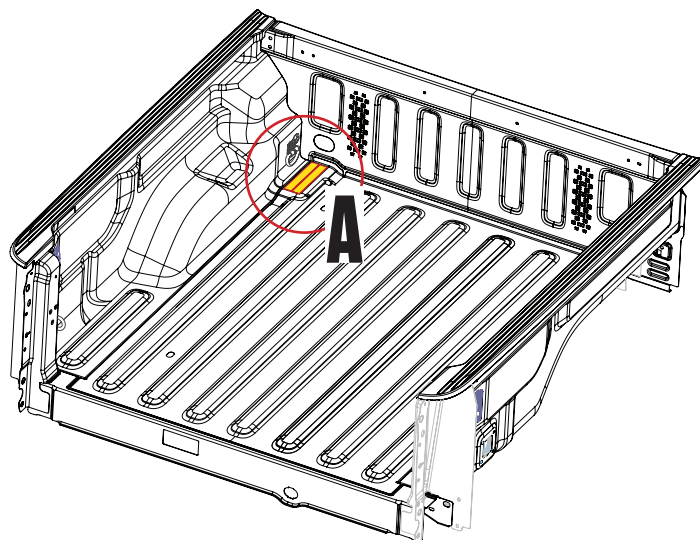
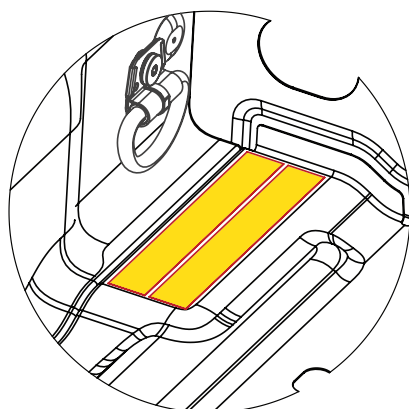
**208.806.0251 | DECKED.COM/INSTALLVIDEO**

# PREPARE BED: INSTALL BED TAPE

To protect your paint: **INSTALL THIS TAPE BEFORE YOU INSTALL YOUR DECKED SYSTEM**

- You will not need this tape if you have a spray-in bed liner, Bedrug or mat.
- There is a strip of protective tape provided: **BAG BED TAPE MJ1**.
- Clean the surfaces where the protective tape will be located - isopropal alcohol is recommended.
- Cut the tape strip into 7" lengths. Apply to locations in **DETAIL A** and repeat for the right side.

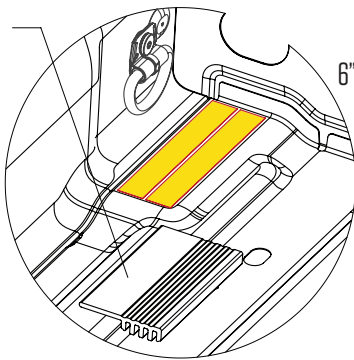
### DETAIL A



# PREPARE BED: INSTALL SHIMS

- There are **12 SHIMS** provided: **BAG SHIM-JEEP GLADIATOR**.
- Using the information in the respective circular detail views:
- Clean the surfaces where the shims will be located (isopropyl alcohol is recommended).
- Remove the layer of tape on the bottom of the shim to expose the adhesive surface.
- Place the shim and apply with pressure.

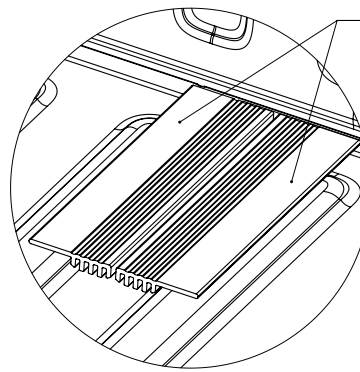
6" LONG SHIM



### DETAIL A

6" shims - Place as shown. Repeat on right side, but opposite of left shim shown.

12" LONG SHIMS



### DETAIL B

Place front of shims against cabside panel of bed.

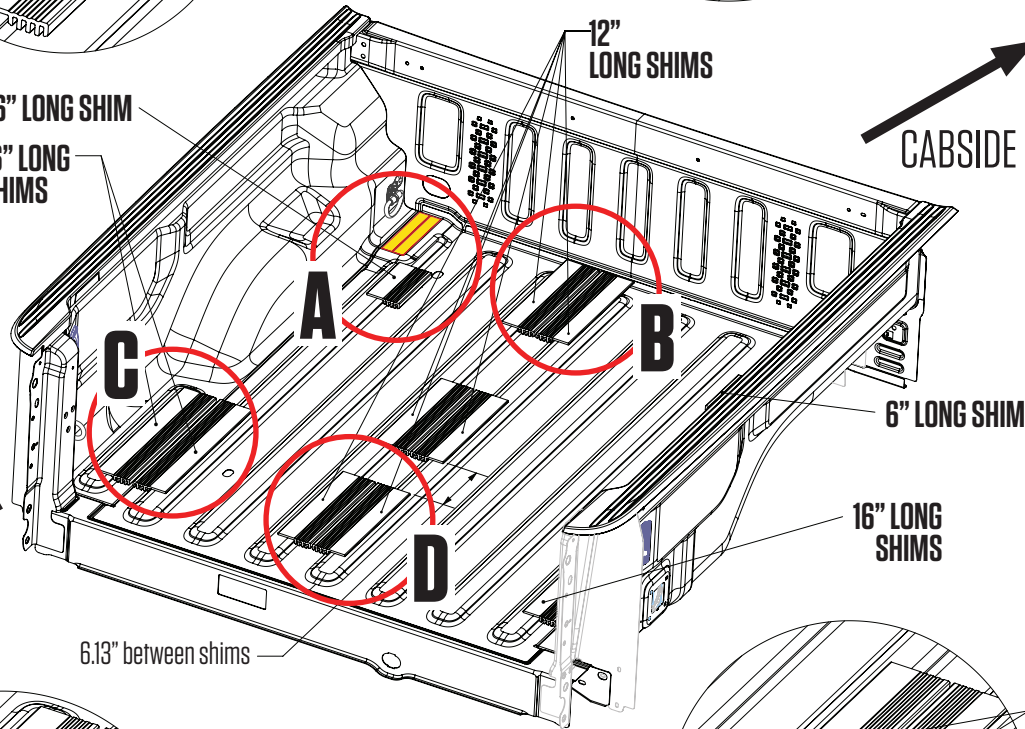
6" LONG SHIM

16" LONG SHIMS

12" LONG SHIMS

CABSIDE

TAILGATE

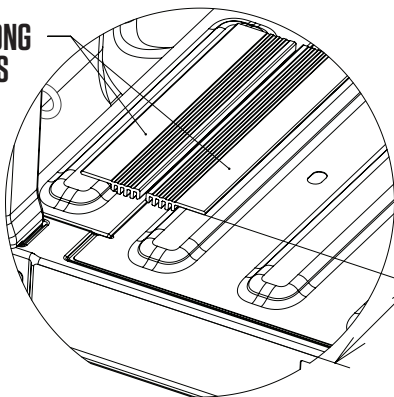


6" LONG SHIM

16" LONG SHIMS

6.13" between shims

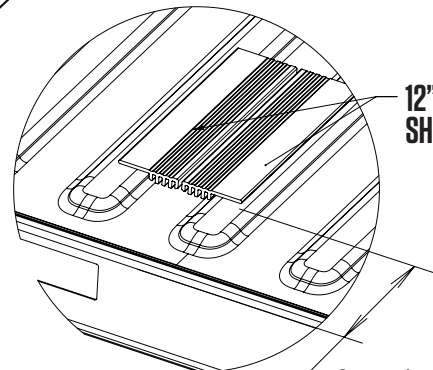
16" LONG SHIMS



### DETAIL C

16" shims - Place 7 1/2" from rear of shims to rear of bed. Repeat on right side.

12" LONG SHIMS

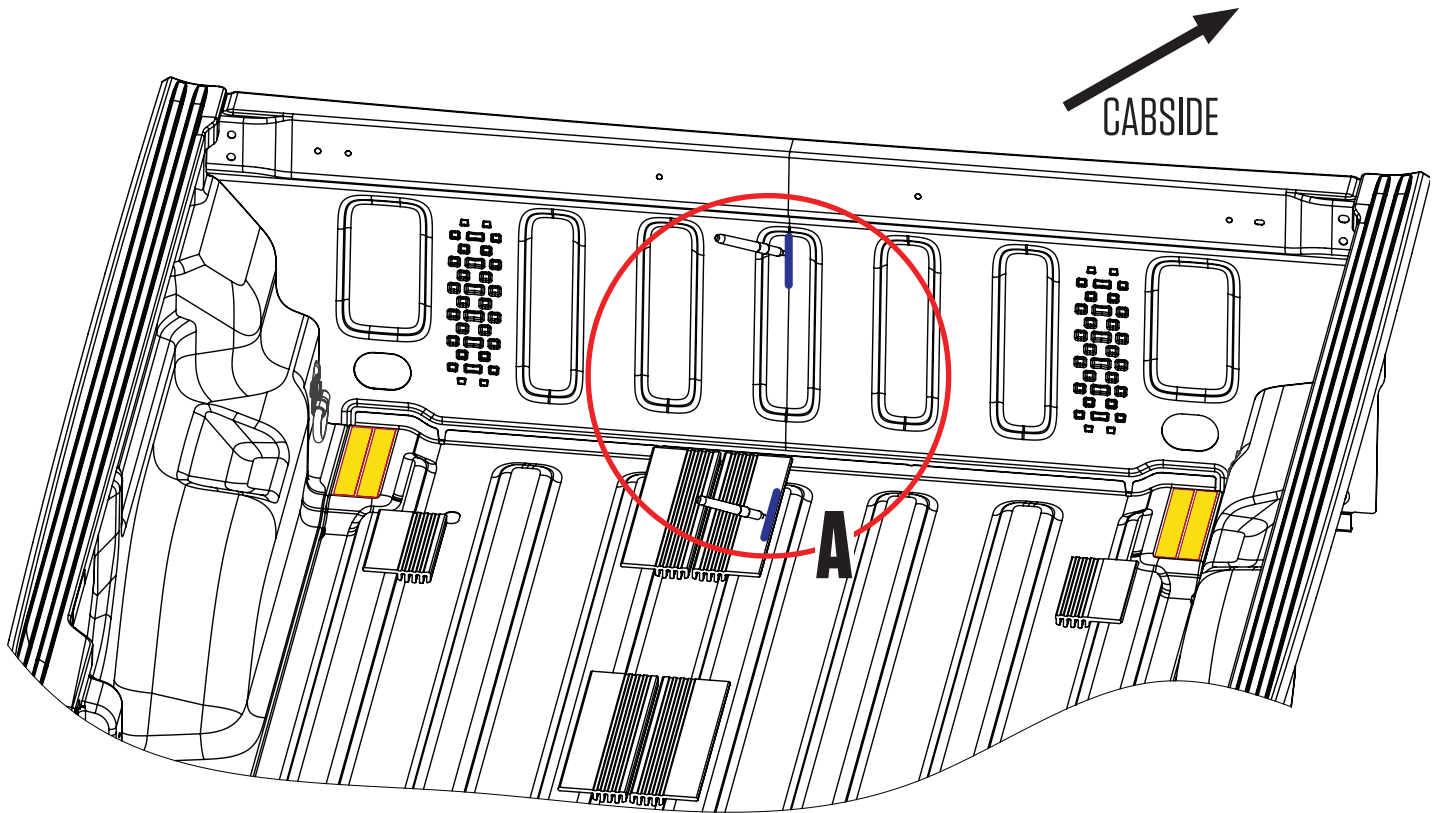


### DETAIL D

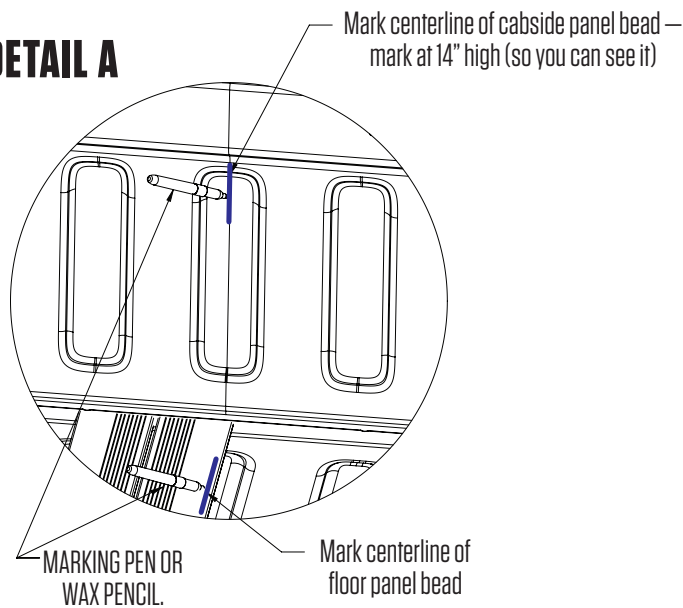
Center shim between floor beads shown. Place 6 1/2" from rear of shim to rear of bed.

# PREPARE BED: MARK CENTER OF BED

- Using a tape measure, locate centerline of bed floor (blue), which may be raised or depressed.
- Use a marking pen or wax pencil to mark the centerline on shim.
- Mark centerline on cabside panel.



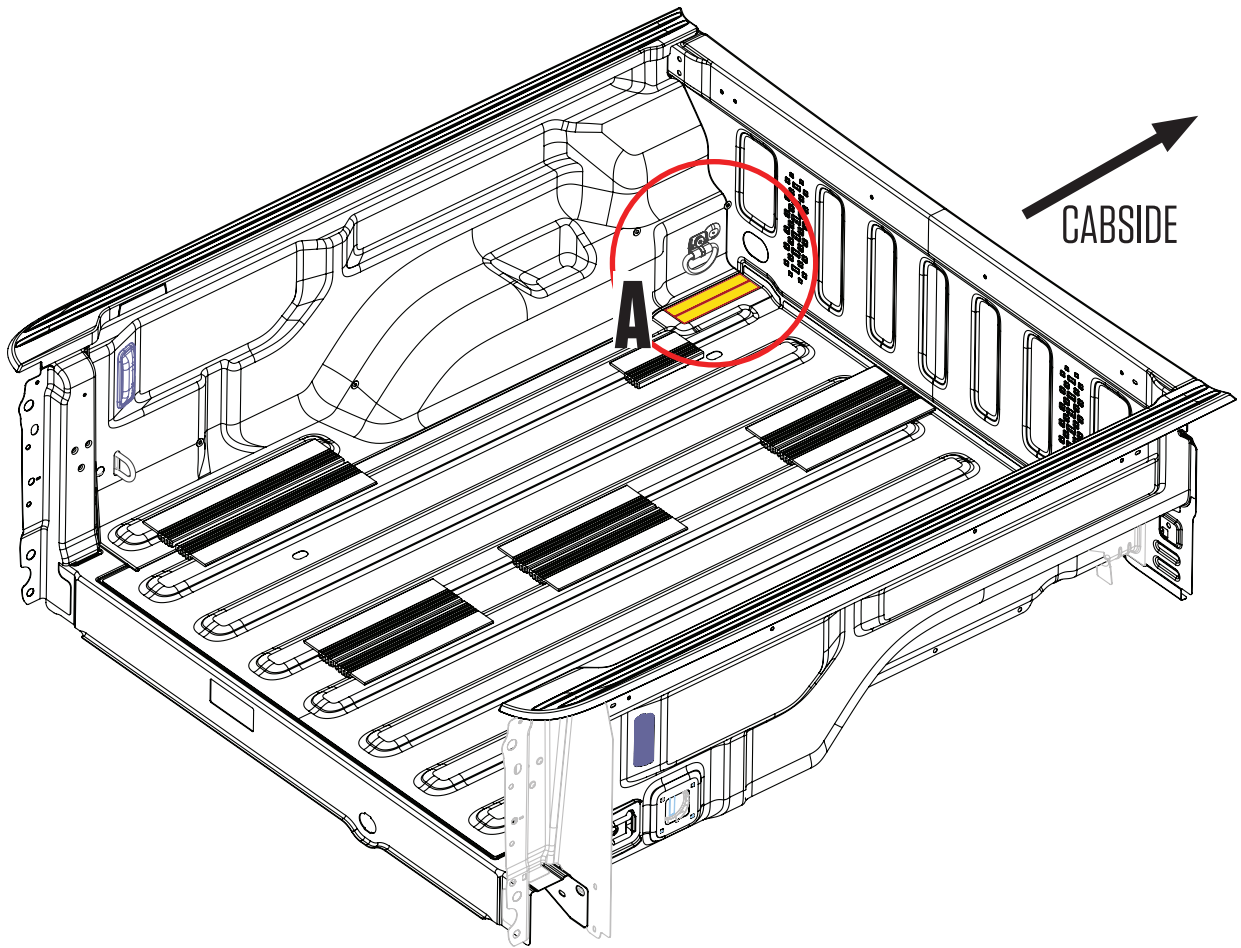
## DETAIL A



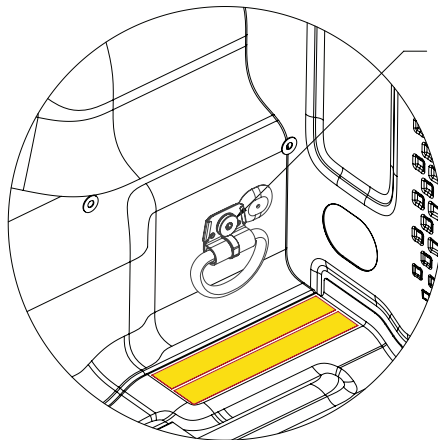
# PREP BED: CABSIDE TIE DOWNS

(LET'S DO THIS!)

- Using a Torx T45 bit, remove screw from cabside tie down ring and remove ring.
- Set aside screw and ring; they will not be reused.
- Repeat process for opposite side cargo ring.



## DETAIL A



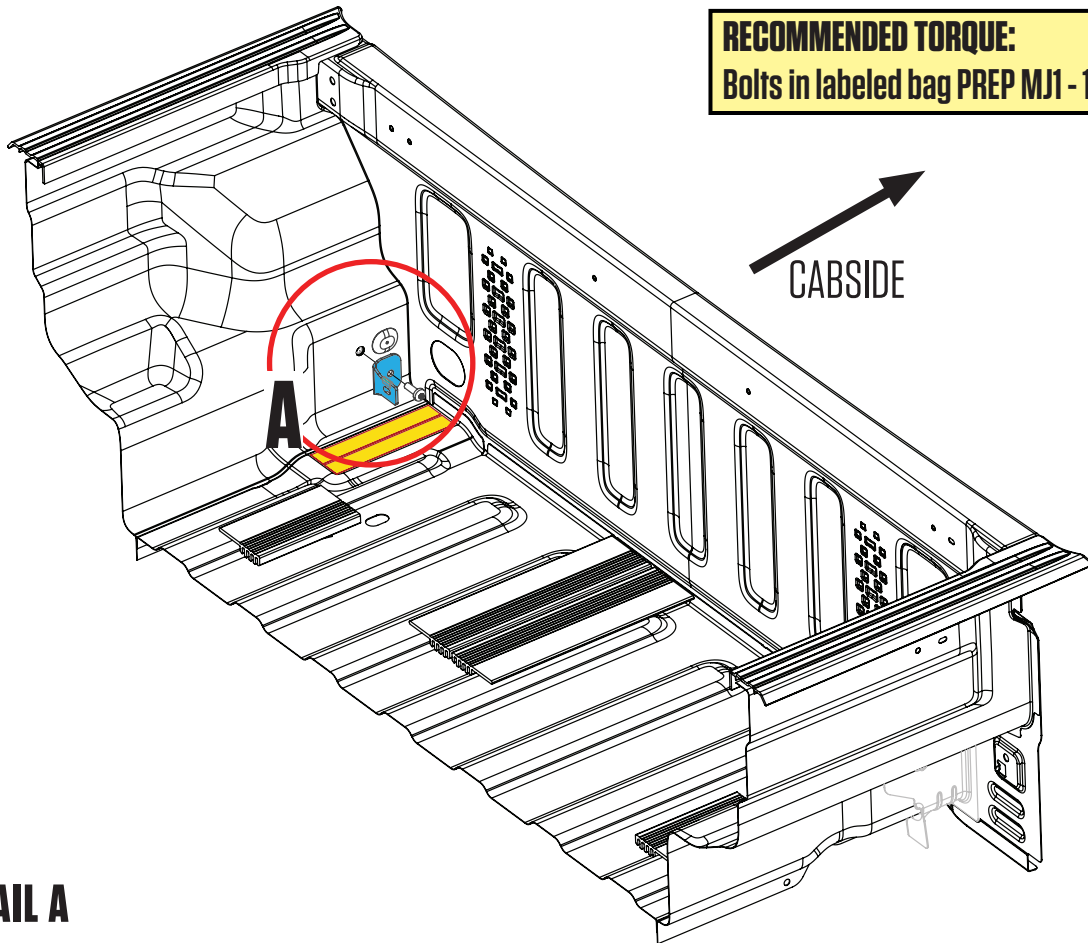
Remove Torx head  
screw with T45 bit.

# PREP BED: CABSIDE TIE DOWNS

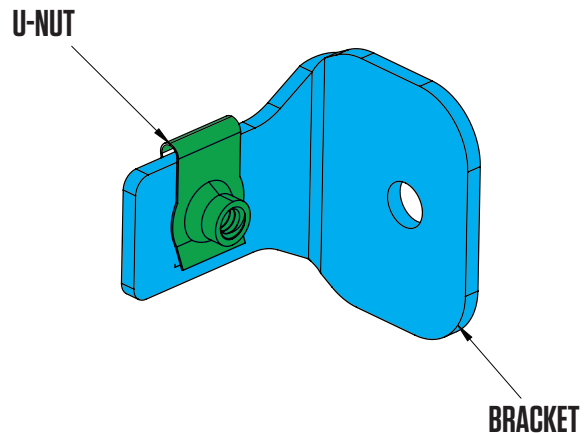
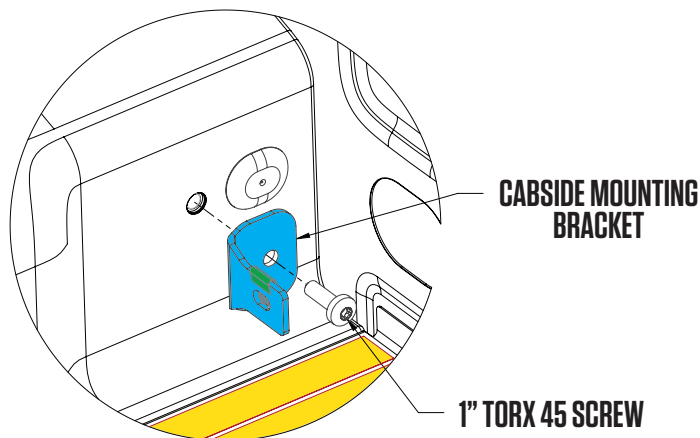
(NOW YOU'RE ACTUALLY GETTING SOMEWHERE!)

- Install u-nuts onto cabside mounting brackets in the direction shown; **BAG PREP MJ1**.
- Install bedside mounting bracket with 1" Torx 45 screw, using T45 Torx bit; **BAG PREP MJ1**.  
Verify bracket orientation is as shown.
- Tighten securely.
- Repeat this sequence for the passenger side cabside mounting bracket.

**RECOMMENDED TORQUE:**  
Bolts in labeled bag PREP MJ1 - 11 Ft-lb.



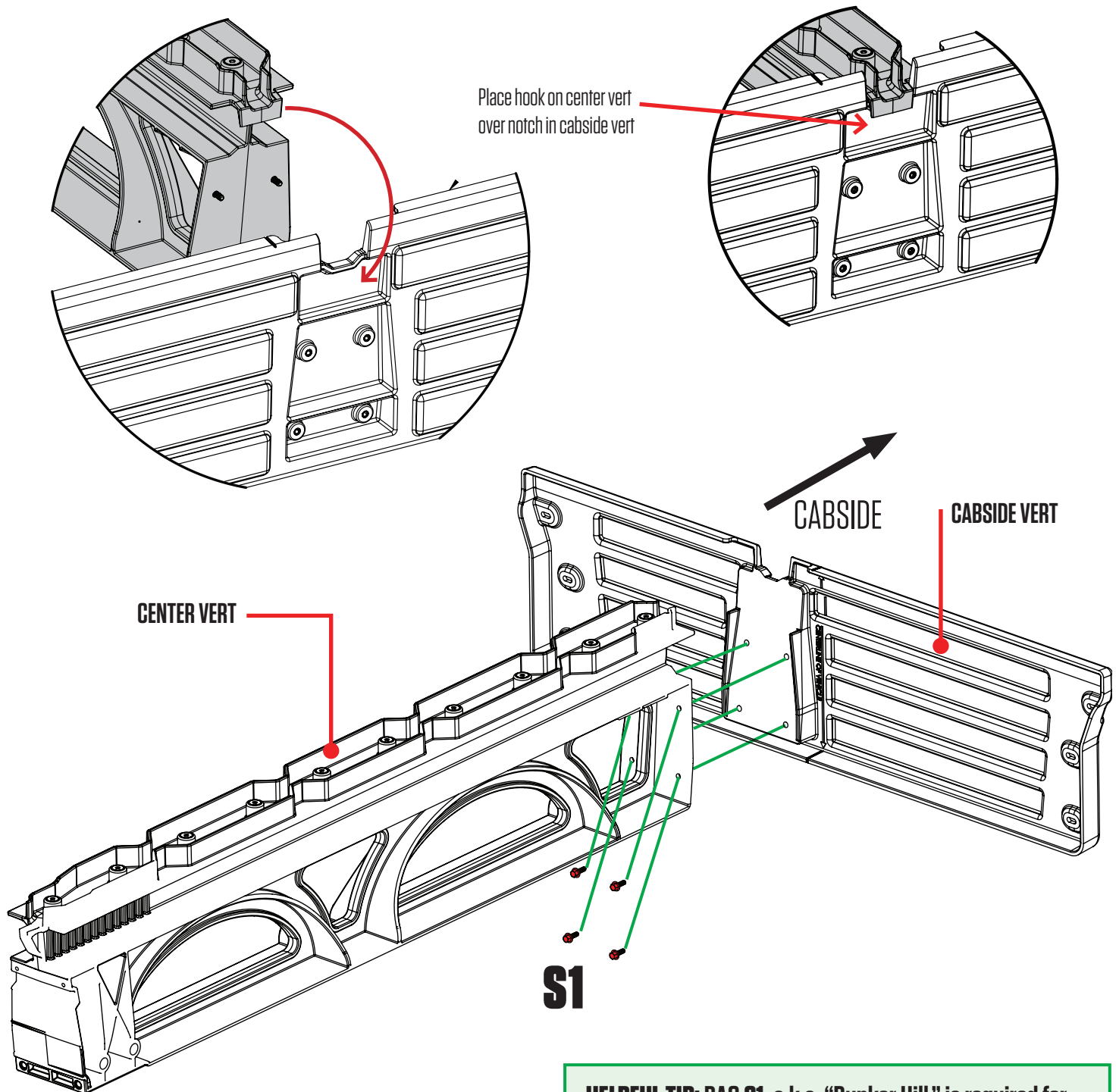
**DETAIL A**



# ASSEMBLY: CENTER VERT + CABSIDE VERT

**NOTE:** Perform the next few steps on a flat surface.

- Attach center vert to cabside vert with four bolts. Alternate to tighten; BAG S1.



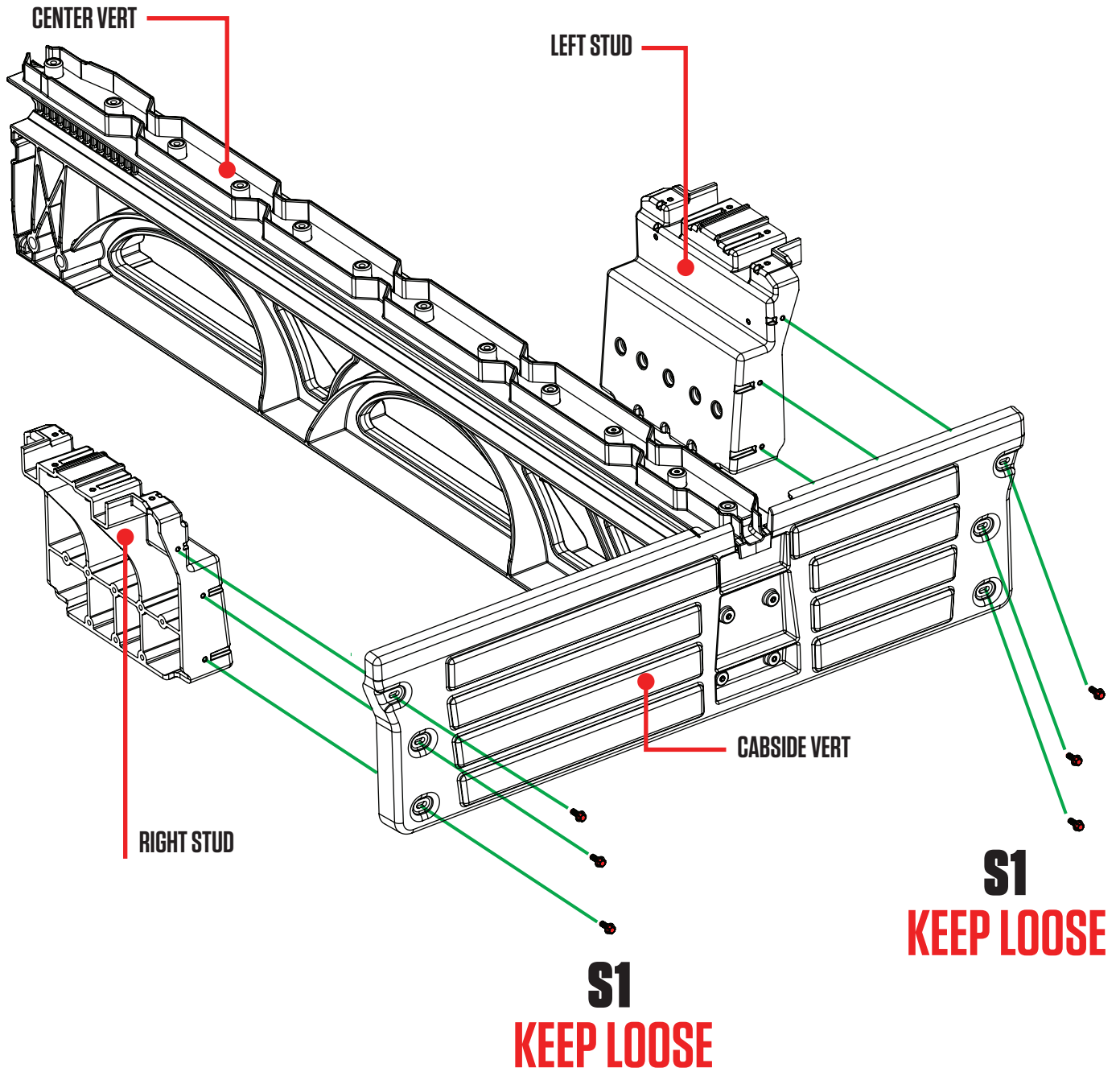
**RECOMMENDED TORQUE:**  
 .905" bolts in bag S1 - 27 in-lb.

**HELPFUL TIP:** BAG S1, a.k.a. "Bunker Hill," is required for most steps, so keep it close. These bolts are highlighted throughout instructions in **RED**.



# ASSEMBLY: LOOSELY ATTACH STUDS

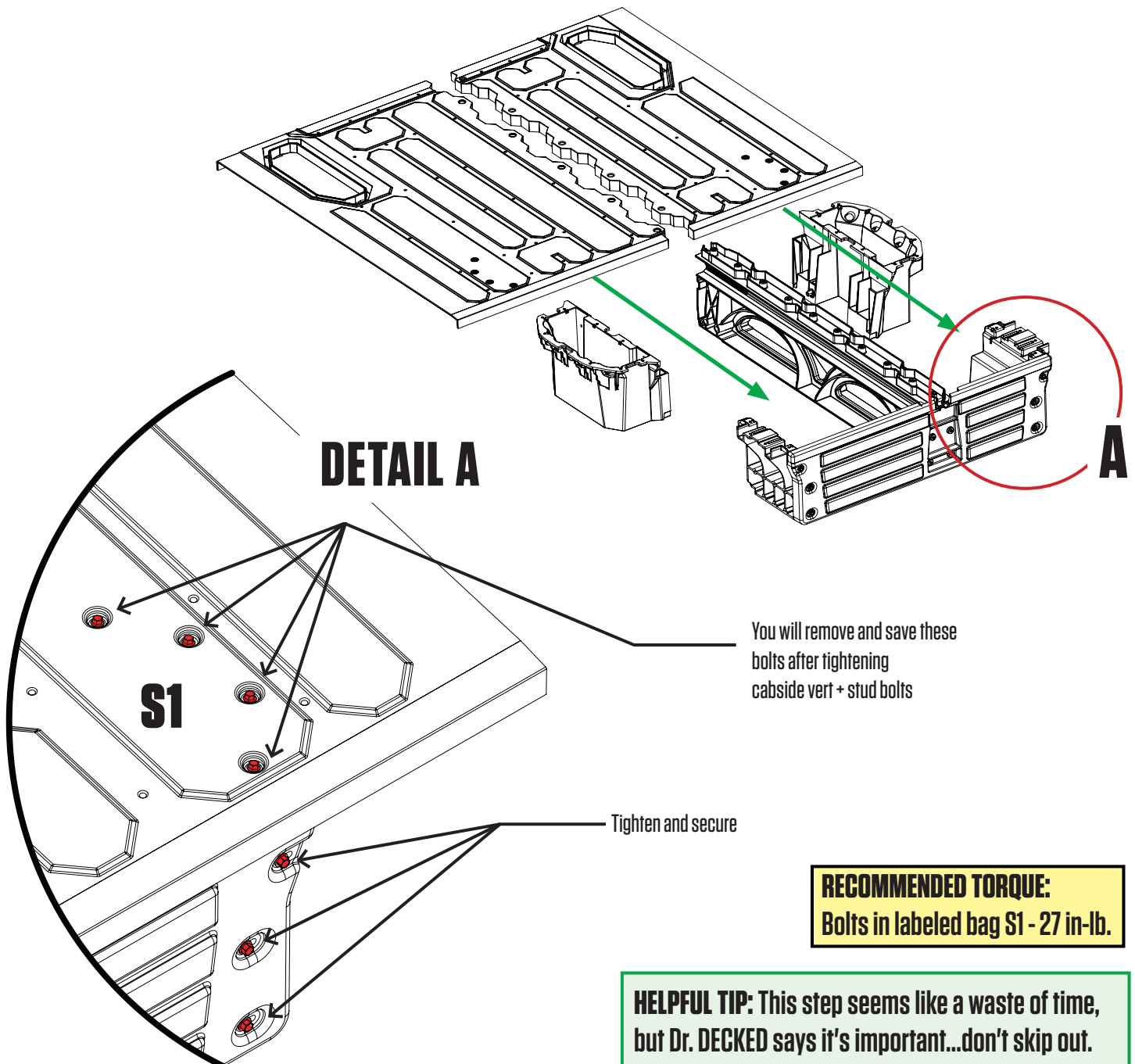
- **LOOSELY** attach studs to cabside vert with six bolts; BAG **S1**.



# ASSEMBLY: ALIGN & TIGHTEN STUDS

**NOTE:** This step ensures the studs are properly located before tightening bolts. It's important.

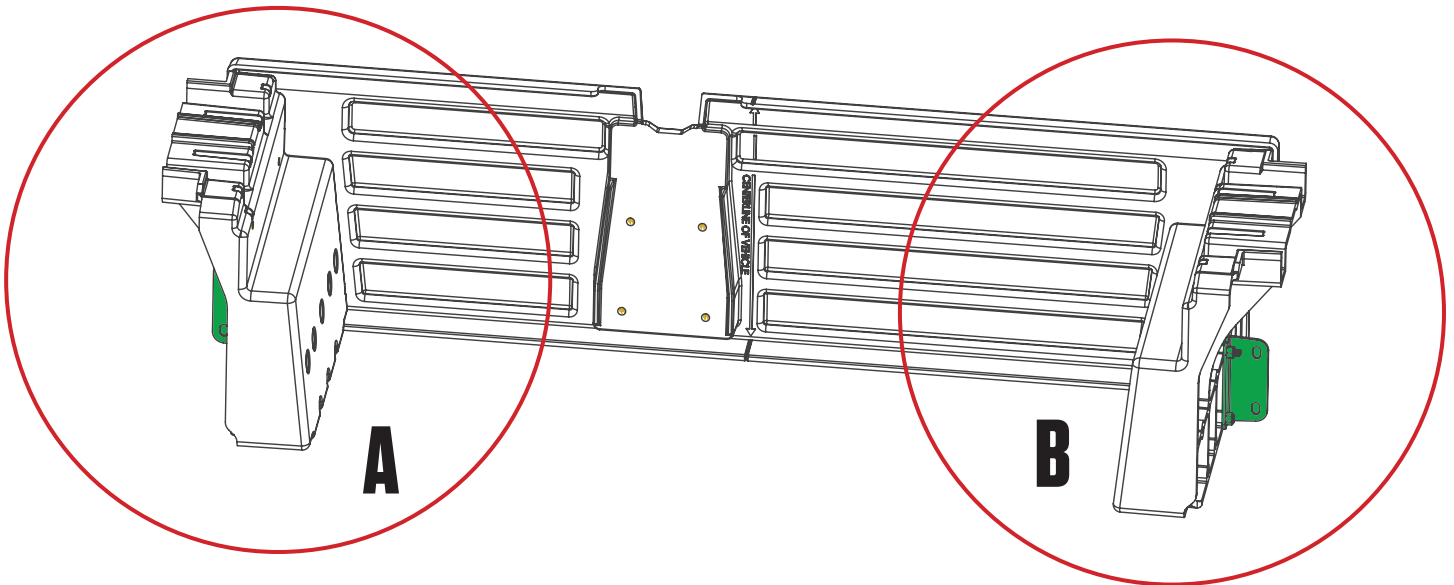
- Place ammo cans to support tailgate end of deck panels.
- Lift deck panels on center vert + stud + cabside vert assembly.
- Slide studs around L-R until deck panels are seated.
- **DETAIL A:** Loosely secure four bolts to hold decks onto studs; **BAG S1.**
- Now you can securely tighten the bolts that hold the studs to the cabside vert.
- Unbolt deck from studs, remove deck panels, save bolts, remove ammo cans and set aside for later assembly.



# ASSEMBLY: STUD BRACKETS

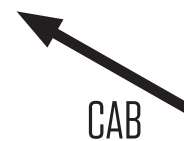
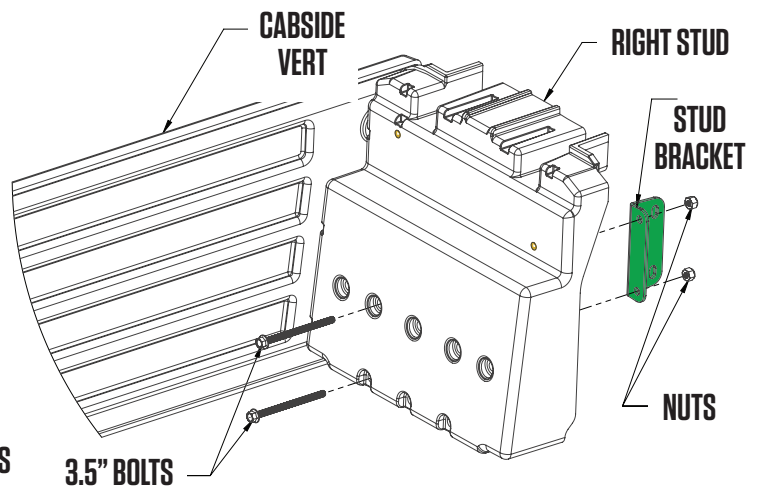
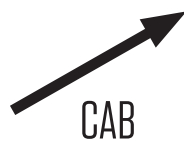
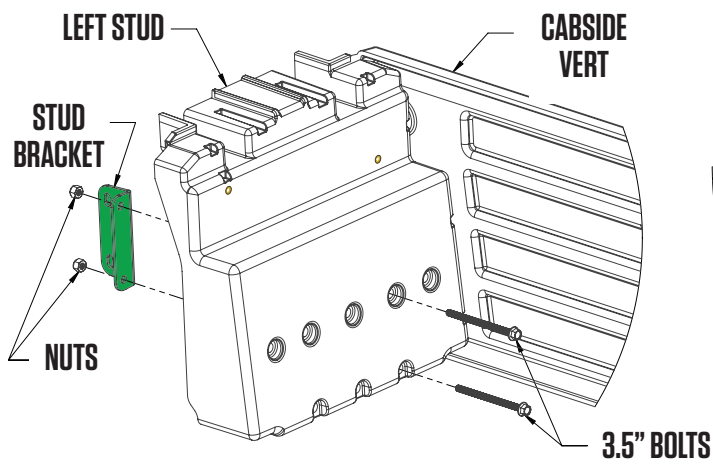
- Per **DETAIL A**, attach stud bracket to left stud using (2) 3.5" bolts and (2) nuts, **BAG PREP MJ1**, making note of the proper hole locations.
- Verify orientation as shown. Repeat on right side.
- Tighten nuts securely.

**RECOMMENDED TORQUE:**  
Bolts in labeled bag PREP MJ1 - 27 in-lb.



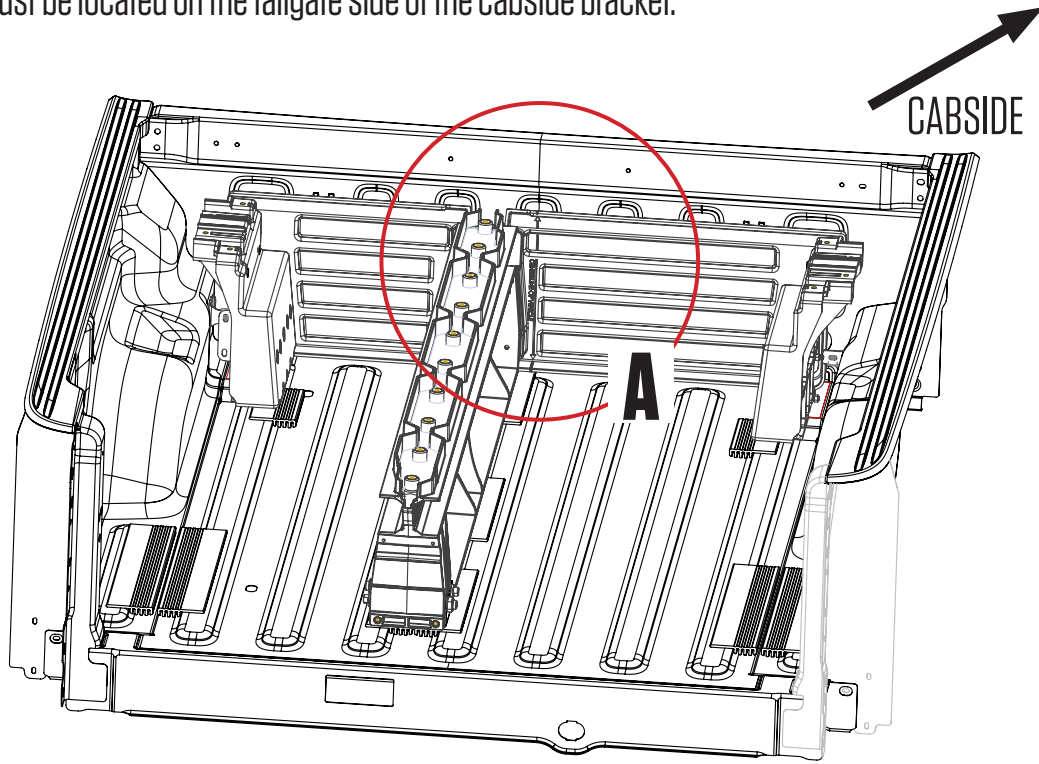
## DETAIL A

## DETAIL B

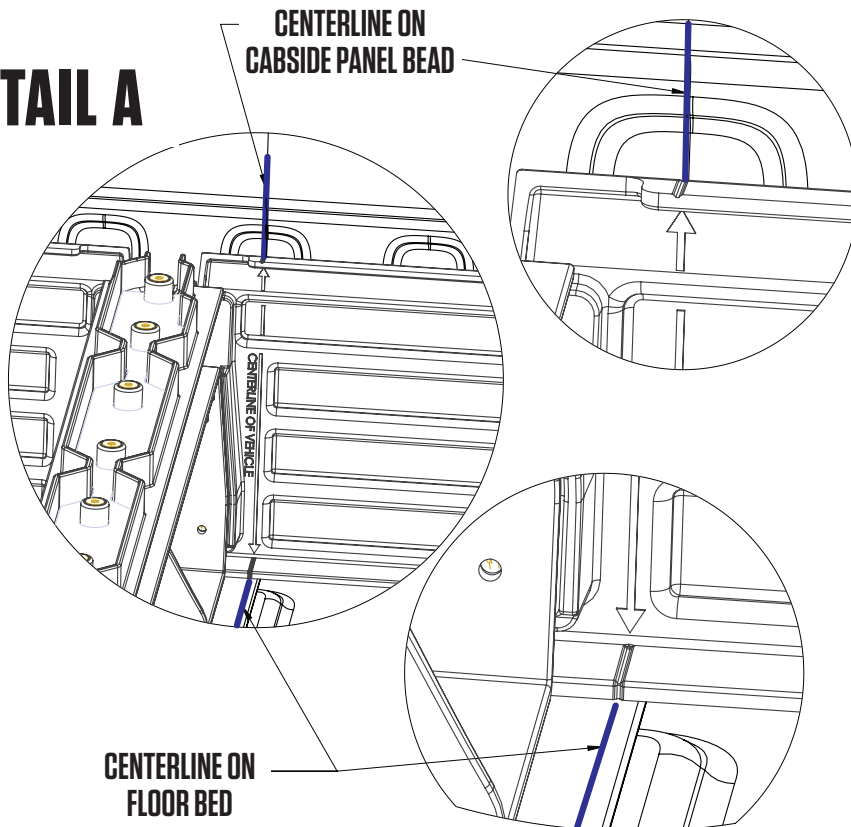


# ASSEMBLY: MOUNT ASSEMBLY

- Install cabside vert/stud assembly in pickup bed and position against cabside panel of bed.
- Align molded-in centerline markings on cabside vert with the centerline marks on the pickup bed.
- The stud bracket must be located on the tailgate side of the cabside bracket.

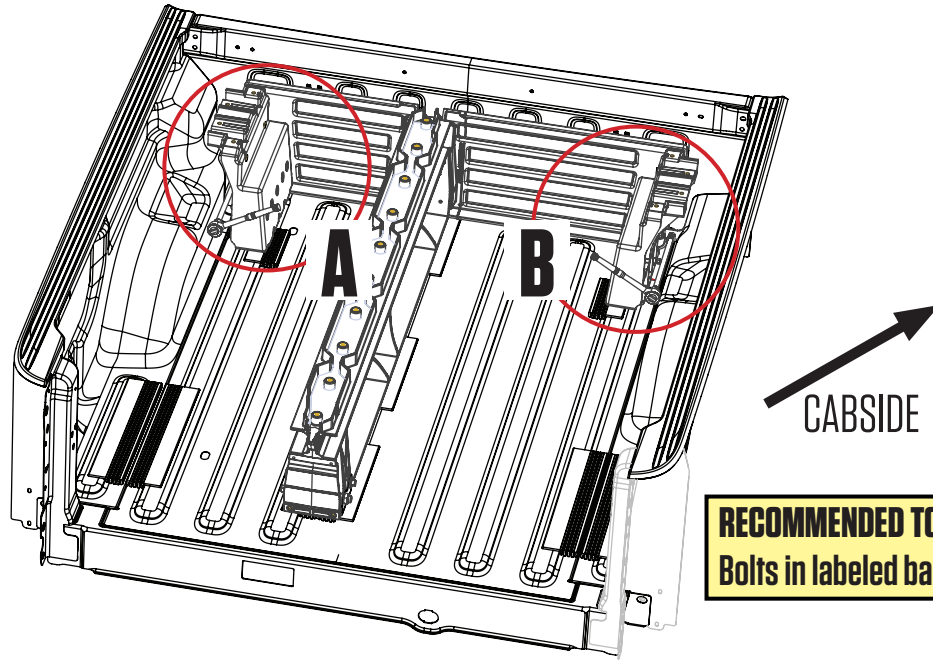


## DETAIL A

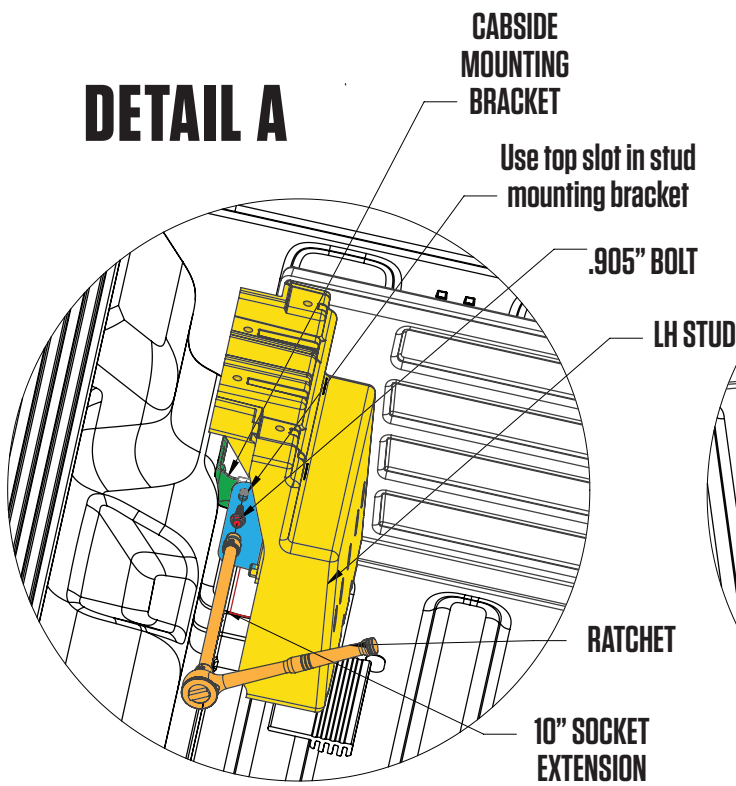


# ASSEMBLY: MOUNT ASSEMBLY

- Referencing **DETAIL A**, using a 10" socket extension, loosely assembly .905" bolt through top slot in stud bracket into U-nut in cabside bracket; **BAG S1**. Tighten bolt securely.
- Repeat on right side.

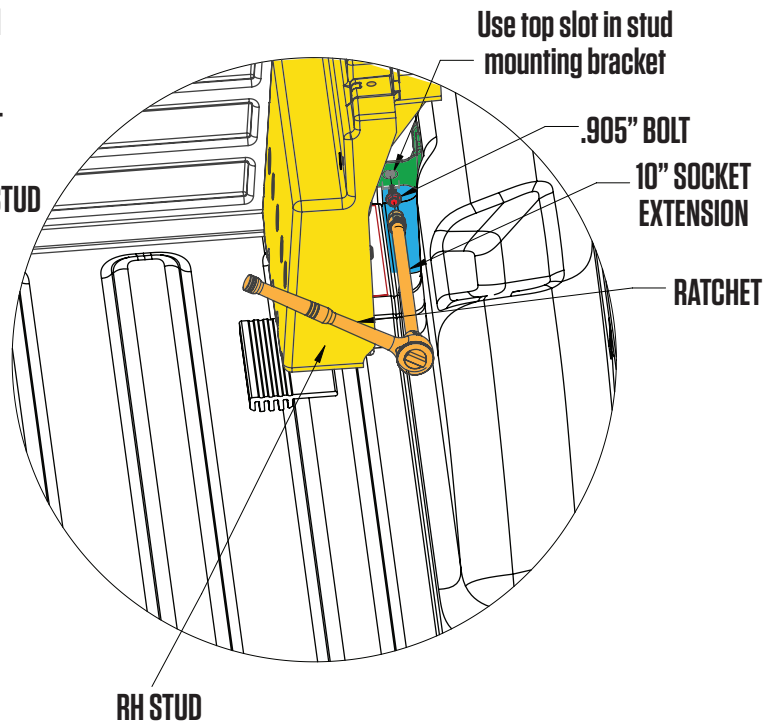


## DETAIL A



## CABSIDE MOUNTING BRACKET

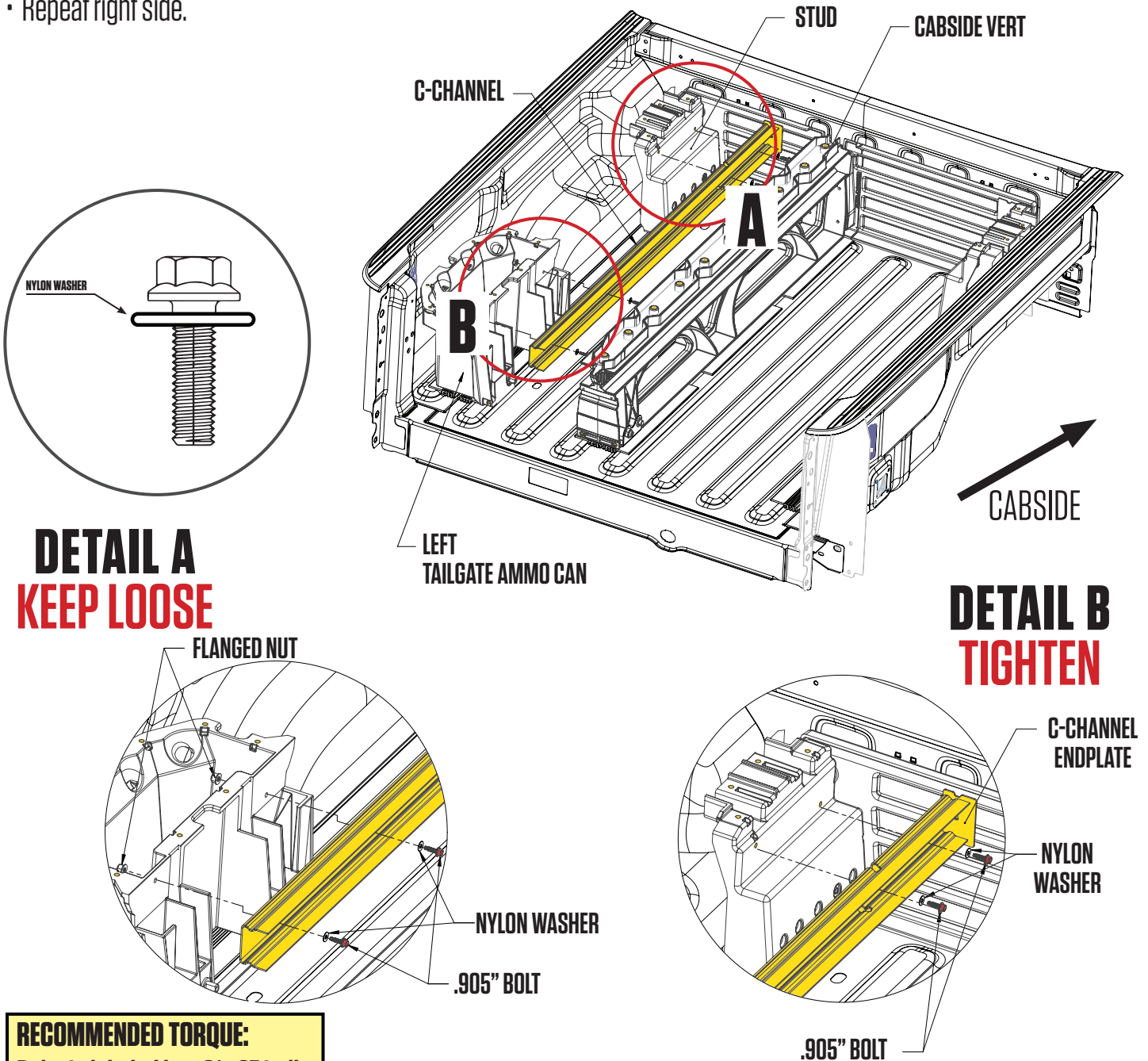
## DETAIL B



# INSTALL: C CHANNELS

**IMPORTANT:** There is a left and right ammo can. The inside of each ammo can is marked L or R.

- Loosely place left side ammo can at tailgate corner of bed. The axle will be closest to you.
- Place C-channel on ledge of stud and ammo can with end plate on the stud (cabside).
- **DETAIL A:** Place nylon washer on eight .905" bolts. Insert two bolts through C-channel into ammo can and loosely fasten with flanged nuts. Make sure the bolt head is on the C-channel side, not inside the ammo can; **BAG S1, BAG MS WASHER, BAG N1. KEEP LOOSE.**
- **DETAIL B:** Attach C-channel to stud with same bolts; **BAG S1.**
- Repeat right side.



**DETAIL A**  
**KEEP LOOSE**

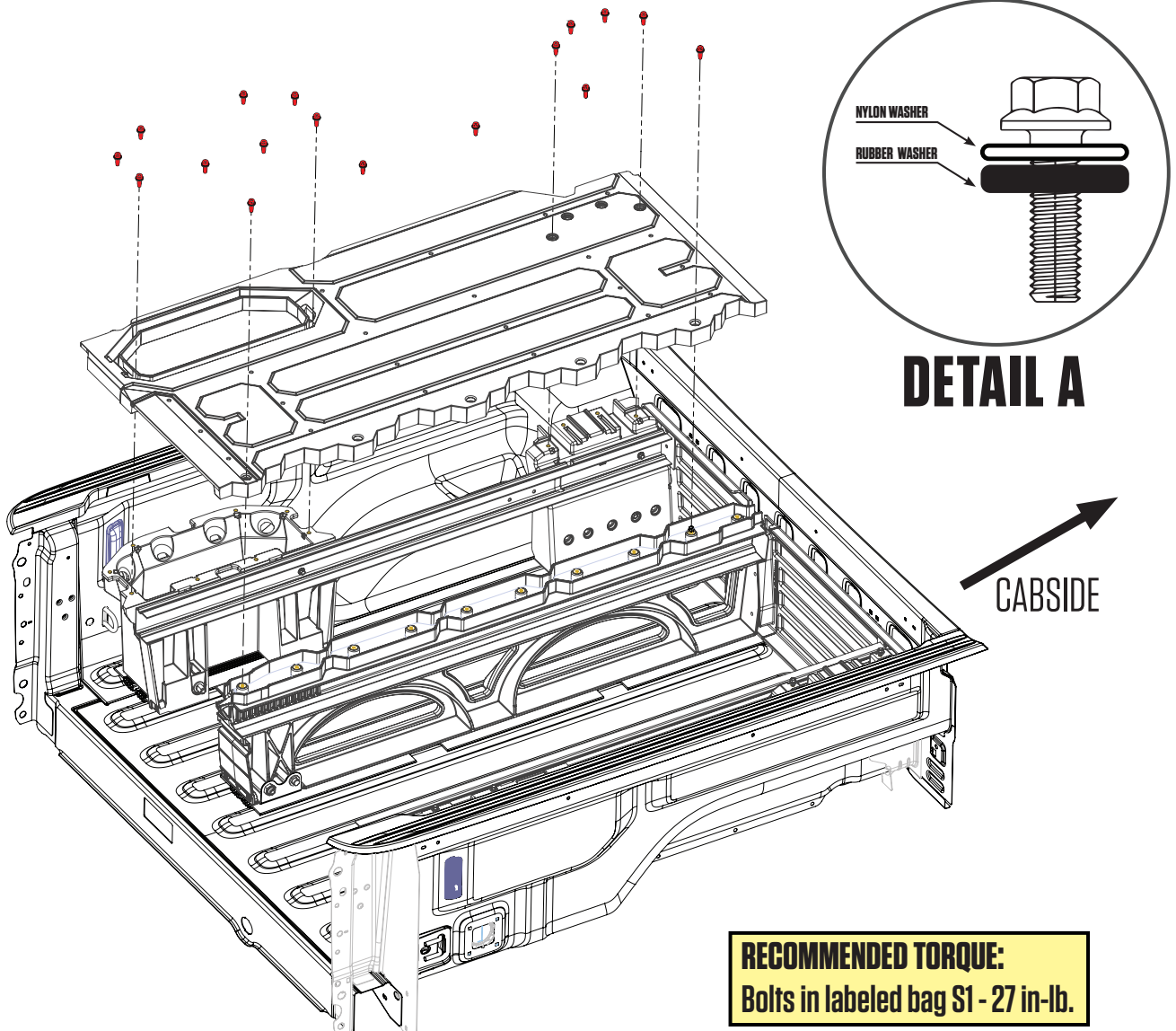
**DETAIL B**  
**TIGHTEN**

**RECOMMENDED TORQUE:**  
Bolts in labeled bag S1 - 27 in-lb.

# INSTALL: DECK HALVES

- Loosely place deck panel on side stud, center vert and ammo can.
- Shift ammo can forward, rearward, L-R, as necessary to align with fully seated deck panel.
- Loosely assemble:
  - Five bolts through deck panel into center vert; **BAG S1**.
  - Four bolts with nylon and rubber washers installed as shown through deck panel into stud; **BAG S1, BAG MS WASHERS**.
  - Eight bolts with nylon and rubber washers installed as shown through deck panel into ammo can; **BAG S1, BAG MS WASHERS**. Use the four nylon washers from **BAG S1** and remaining 20 nylon washers from **BAG MS WASHERS** to complete this step for both sides.
  - Tighten all **S1** bolts.
  - **Securely tighten C-Channel/ammo can nuts and bolts.**
- Repeat other side (**making sure you don't forget to securely tighten C-channel/ammo can nuts and bolts**).

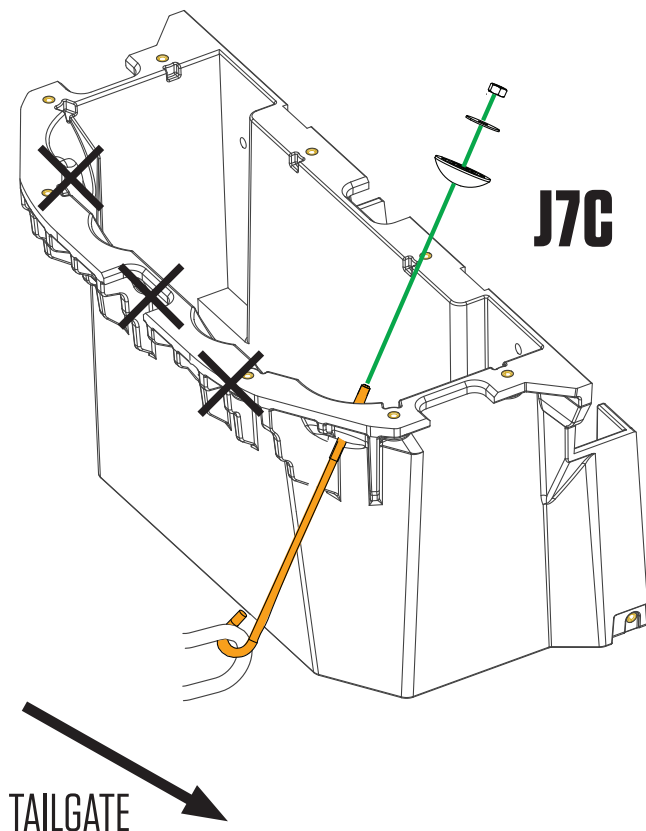
## S1



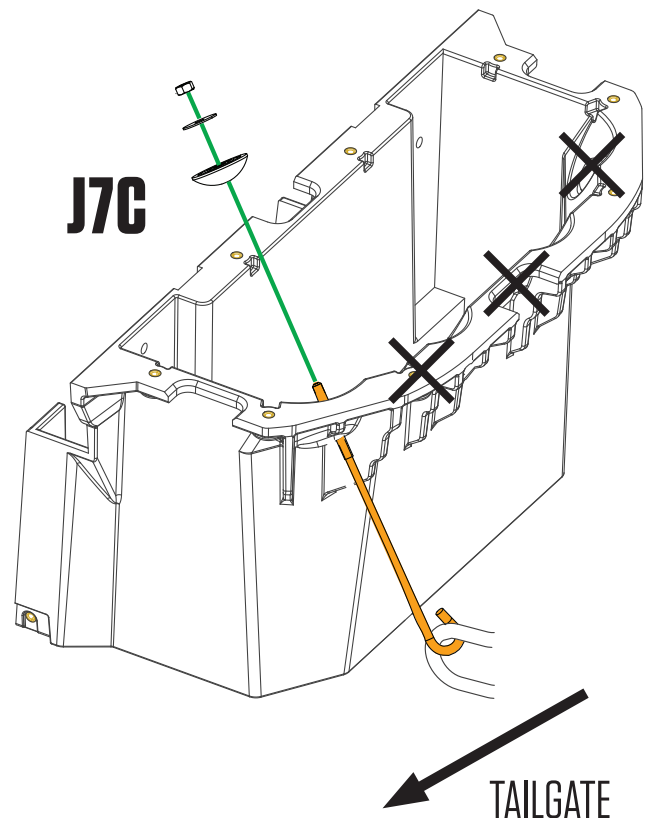
# INSTALL: J-HOOKS

- **Loosely** assemble J-hook assembly in order shown through the **TAILGATE** side hole in ammo can; **BAG J7C**.
- Repeat other side.

## DRIVER SIDE AMMO CAN KEEP LOOSE



## PASSENGER SIDE AMMO CAN KEEP LOOSE



**HELPFUL TIP:** make sure the hooks open toward cabside.



# DRAWERS: BRACKETS + WHEELS

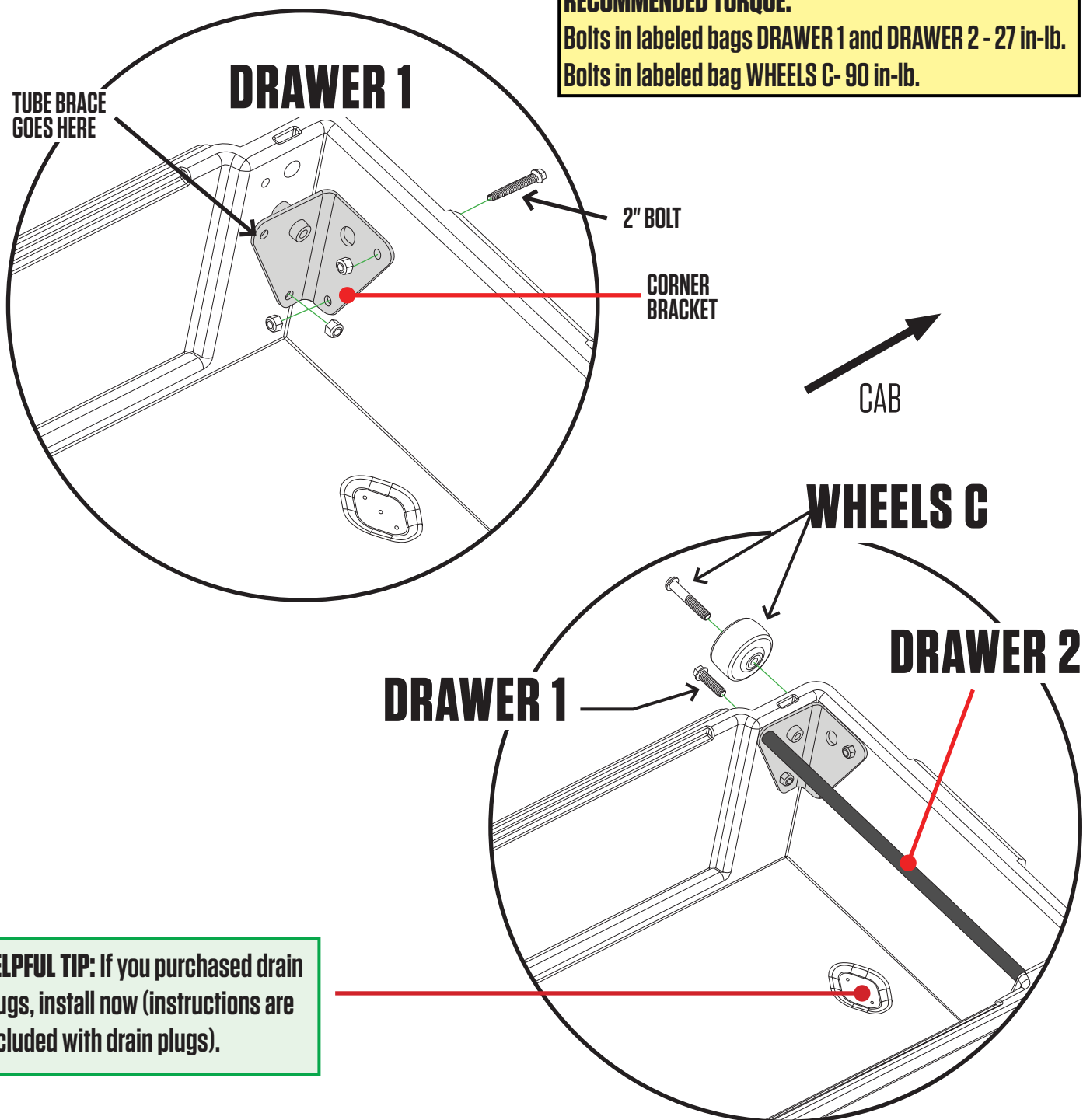
(SO EASY A CHIMPANZEE CAN DO IT)

- Each drawer has a left and a right bracket. Bolt the brackets into place via bottom two holes in bracket with 3/4" length bolts. Use the 2" length bolt for the upper cabside wall hole in bracket; **BAG DRAWER 1**.
- Install a tube brace in each drawer with two 3/4" length bolts; **BAG DRAWER 1**, **BAG DRAWER 2**.
- Attach wheels onto the drawer brackets with a 7/32" hex wrench; **BAG WHEELS C**.

## RECOMMENDED TORQUE:

Bolts in labeled bags **DRAWER 1** and **DRAWER 2** - 27 in-lb.

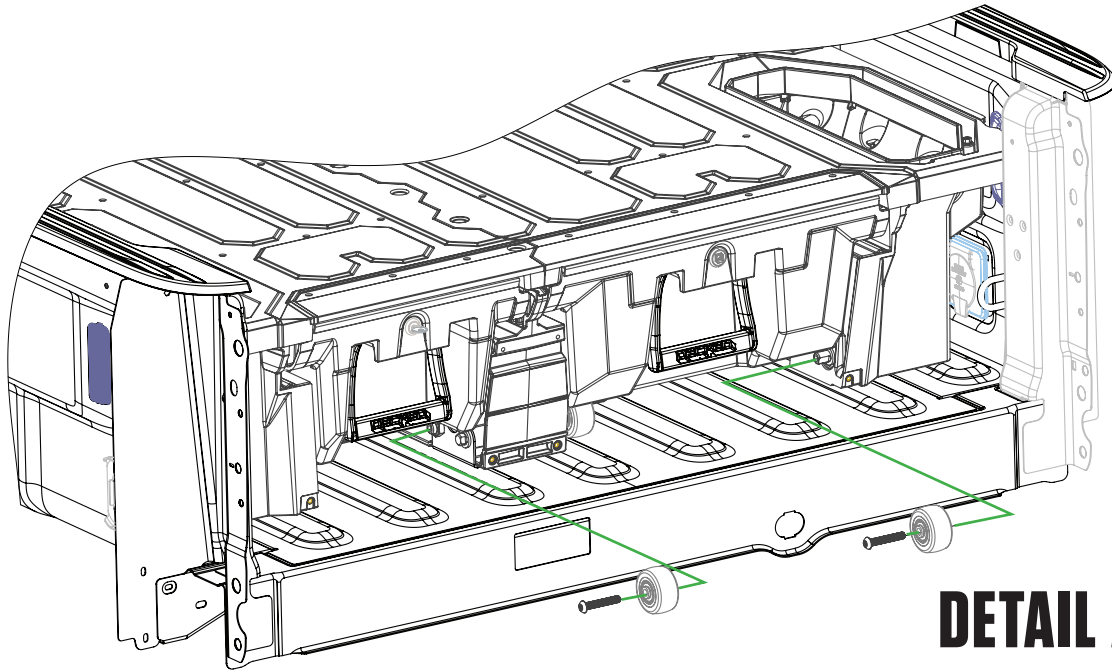
Bolts in labeled bag **WHEELS C** - 90 in-lb.



**HELPFUL TIP:** If you purchased drain plugs, install now (instructions are included with drain plugs).

# DRAWERS: AXLE WHEELS + WEATHERSTRIPS

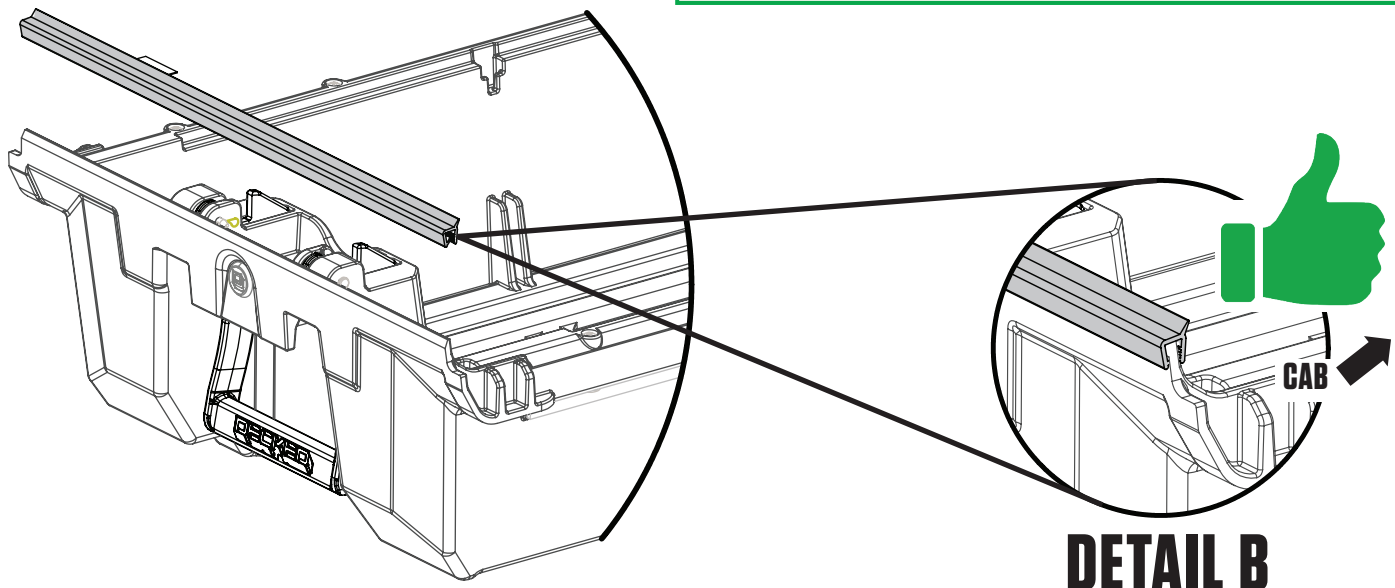
- Slide narrow drawer into the left side drawer cavity. **NOTE: It is easier to fully install narrow drawer first.**
- **DETAIL A:** Install two tailgate wheels onto narrow drawer axles with a 7/32" Allen key; **BAG WHEELS C.**
- Repeat with wide drawer.
- **DETAIL B:** Install weatherstrips on top of drawer edges **WITH WIPER BLADE POINTING TOWARD DRIVER.**  
**IMPORTANT: Incorrect installation of the weatherstrip will funnel water into the drawer!**



## DETAIL A

**RECOMMENDED TORQUE:**  
Wheel bolts - 90 in-lb.

**HELPFUL TIP:** To make this step easier, support the drawer on a piece of material (approx 2") or have an assistant hold the drawer up against the deck.



## DETAIL B

# FINAL STEPS: TORSION BRACE + BOTTLE OPENER

- Slide torsion brace under center support and tailgate ammo cans.

**NOTE: Ensure the J-hooks are not tight.**

- Loosely install:

- Two .905" bolts with nylon washers through the end holes in torsion brace into ammo cans; **BAG PREP MJ1.**
- Two .905" bolts with nylon washers through the bottom bottle opener holes and torsion brace into center vert; **BAG PREP MJ1.**
- Two 1/2" length bolts through upper holes in bottle opener into center vert; **BAG FINAL MID.**

- Align bottle opener to edges of center vert and tighten four bottle opener bolts.

- Tighten end bolts into tailgate ammo cans.

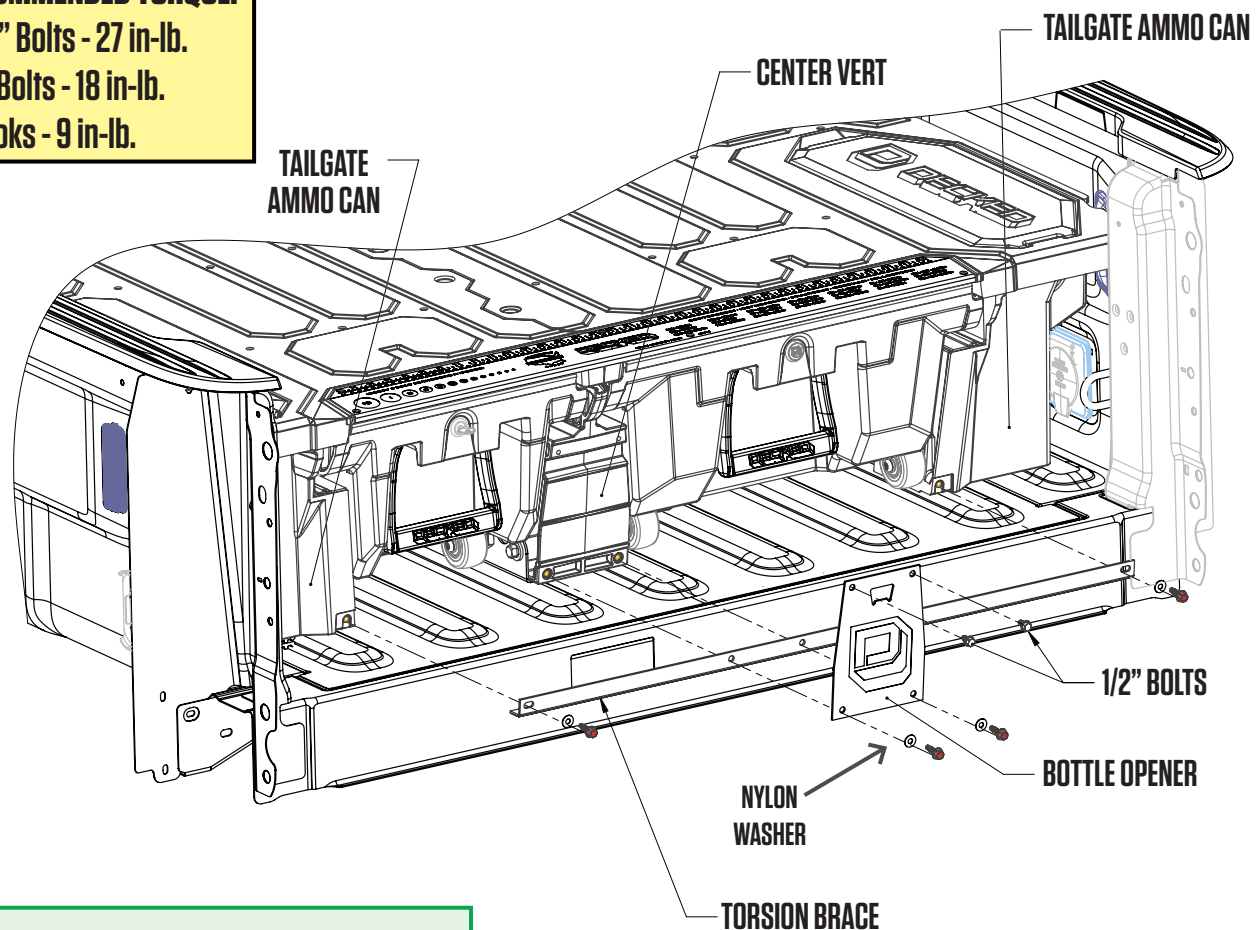
- **Finally, tighten the J-hooks! DO NOT OVER TIGHTEN. Make sure the gap between the sidewall of the bed and the deck is equal on both sides.**

## RECOMMENDED TORQUE:

.905" Bolts - 27 in-lb.

1/2" Bolts - 18 in-lb.

J-hooks - 9 in-lb.



**HELPFUL TIP:** Bottle opener goes on the outside of torsion brace.

# FINAL STEPS: THE RULER

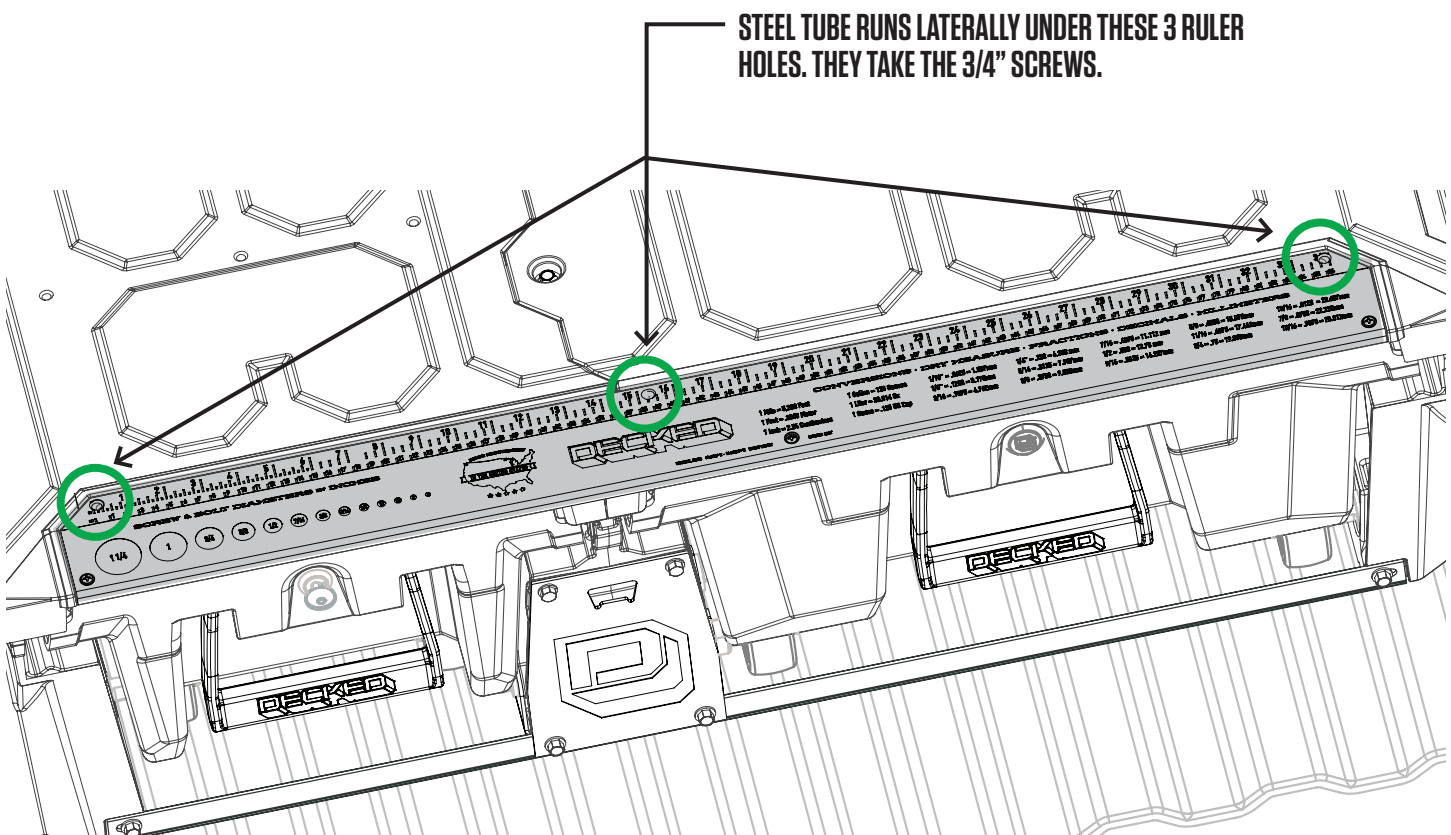
- Center ruler in embossed area and screw three 1/2" length Phillips screws through the tailgate side holes directly into deck panels; **BAG FINAL MID.**

**NOTE:** These are small gauge screws. **DO NOT OVERTIGHTEN.**

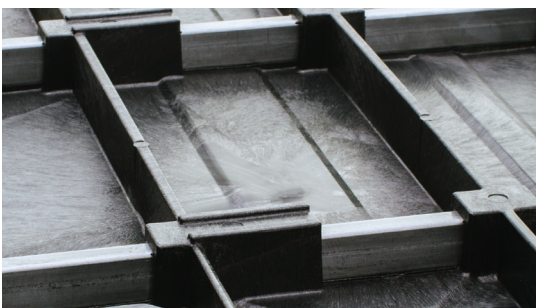
- For the three cabside ruler mounting holes, drill each with a 9/64" drill bit and a drill stop set to 1/2". There is a lateral steel tube that runs on the underside of the deck at this location. (SEE UNDERSIDE VIEW OF DECK).

**IMPORTANT:** Only drill through TOP of steel tube; do not drill through bottom of tube, otherwise you will funnel water into your drawers.

- Screw three 3/4" length Phillips screws into the cabside ruler holes you just drilled; **BAG FINAL MID.**



## UNDERSIDE VIEW OF DECK



**DO:** Drill through the top of steel tube ONLY.

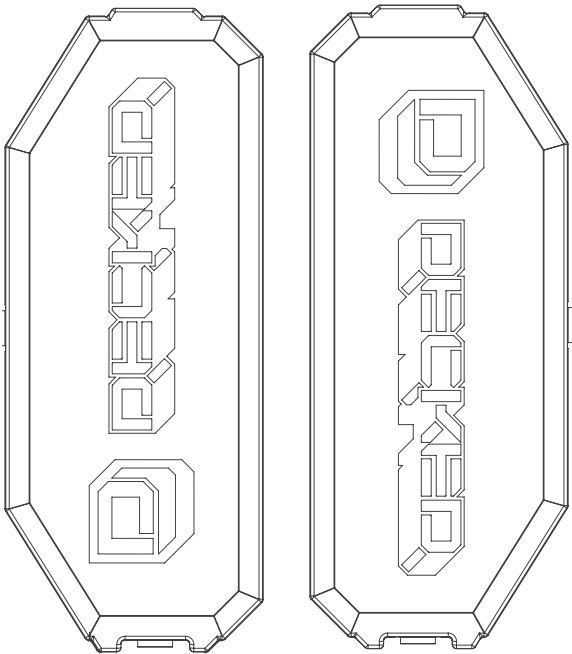
**DO NOT:** Drill through both sides of steel tube.



# FINAL STEPS: AMMO CAN LIDS

- **DETAIL A:** Ammo can lids are left (marked L) and right (marked R) side specific.
- **DETAIL B:** Holding lid in orientation shown, insert tab on tailgate end of ammo can lid and push the cabside end of lid down to secure. Don't be afraid to push down hard.
- Insert lock hole plugs, unless you ordered drawer locks. Install drawer locks now (instructions with locks);  
**BAG FINAL MID.**

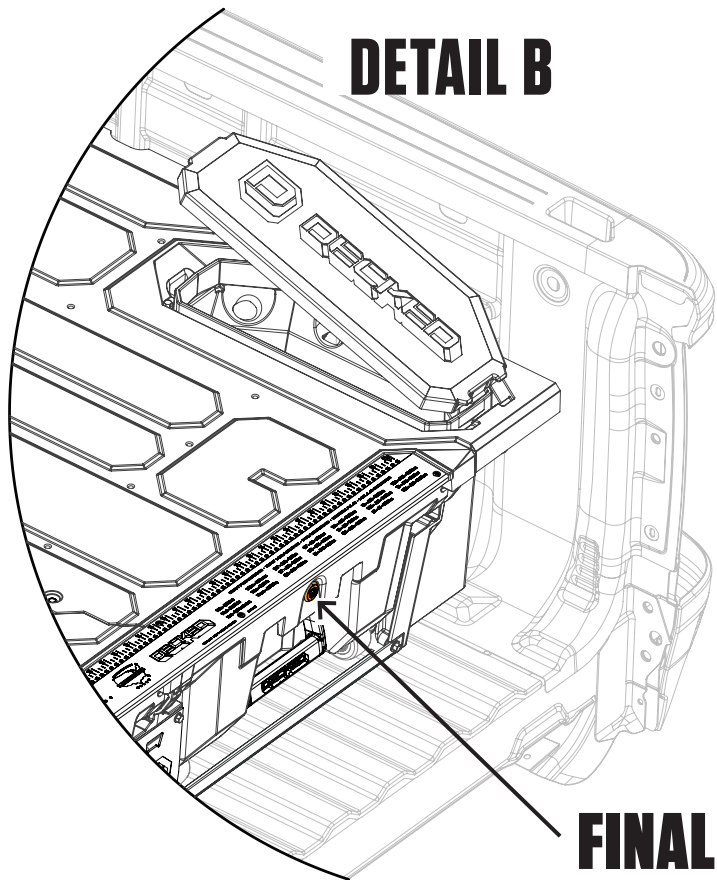
## DETAIL A



LEFT AMMO  
CAN LID

RIGHT AMMO  
CAN LID

## DETAIL B



**FINAL MID**

# DECKED 3-YEAR LIMITED WARRANTY

(a.k.a. LEGAL MUMBO JUMBO)

DECKED LLC warrants to the original purchaser of this product that the product will be free from manufacturing defects in workmanship and materials for a period of three (3) years from the date of the original purchase. If within three (3) years from the original date of purchase this product fails due to defect in materials or workmanship, DECKED LLC will replace any defective part at its option.

The original purchaser must contact the DECKED LLC customer service team and provide a description of the defective part, including digital pictures if requested, with the original purchase documentation as validation of warranty coverage or have previously activated their warranty online.

This warranty DOES NOT cover or apply to:

- Damage to the product due to misuse, mishandling and abuse.
- Products not used in accordance with the manufacturer's instructions or recommendations.
- Product not assembled or installed according to manufacturer's instructions.
- Normal wear and tear.
- Undeclared damage to the system during shipping, acts of God. In addition, consequential damage and incidental damages (including lost time) such as damage to persons or property are not covered under this warranty.

REGISTER YOUR PRODUCT FOR ANY FUTURE WARRANTY NEEDS. [\*\*DECKED.COM/REGISTER\*\*](https://www.decked.com/register)

**#DECKEDUSA | @DECKEDUSA**