

Quadratec® Standing 2 Bike Vertical Rack

Assembly Manual: Universal Accessory

#92034.1009



⚠ WARNING ⚠

TO REDUCE RISK OF SERIOUS INJURY OR PROPERTY DAMAGE: READ ALL SAFETY MESSAGES AND UNDERSTAND ALL INSTRUCTIONS AND PROCEDURE NOTICES BEFORE ATTEMPTING TO INSTALL OR USE THIS PRODUCT. FOLLOW ALL INSTRUCTIONS AND WARNINGS WITH PRODUCT.

⚠ CAUTION ⚠

RISK OF EYE INJURY! SAFETY GLASSES MUST BE WORN AT ALL TIMES WHILE ASSEMBLING OR MAINTAINING THIS PRODUCT.

⚠ CAUTION ⚠

MAKE CERTAIN BICYCLES ARE PROPERLY SECURED. FAILURE TO DO SO COULD CAUSE PROPERTY DAMAGE OR PERSONAL INJURY.



The Trusted Source

A Few Words About Product Safety:

Your 2 Bike Vertical Storage Rack is intended to enhance your bicycling lifestyle. Before installation, please take a moment to review the following safety information and installation instructions

Important safety information is generally preceded by one of three signal words indicating the relative risk of injury. The signal words mean:

⚠ WARNING ⚠

a hazardous situation which, if not avoided, could result in death or serious injury. You CAN be KILLED or SERIOUSLY HURT if you don't follow instructions.

⚠ CAUTION ⚠

a hazardous situation which, if not avoided, could result in minor or moderate injury. You CAN be moderately HURT and also may suffer property damage if you don't follow instructions.

NOTICE

Careful attention is required to this instruction or operation but does generally not relate to personal injury. Damage to your Quadratec® product or other property may result if you don't follow instructions.

Before You Begin Installation:

Congratulations on your purchase of Bike Rack. When unpacking, check to make sure all parts are included and not damaged due to shipping.

Regarding Bike Rack Safety: Always check that the rack and bicycles are securely mounted. Failure to do so could cause property damage or personal injury.

If any part is missing or broken, please call Customer Service at 800-745-6037 as soon as possible.

Thank you again for your purchase and let's start the assembly process.

⚠ CAUTION ⚠

ALWAYS FOLLOW ALL SAFETY WARNINGS, CAUTIONS AND NOTICES IN THE INSTALLATION INSTRUCTIONS AND DOCUMENTATION THAT CAME WITH YOUR BIKE RACK. THIS DOCUMENT ONLY REFERS TO BIKE RACK ASSEMBLY AND INSTALLATION.

⚠ CAUTION ⚠

MAKE CERTAIN BICYCLES ARE PROPERLY SECURED. FAILURE TO DO SO COULD CAUSE PROPERTY DAMAGE OR PERSONAL INJURY.

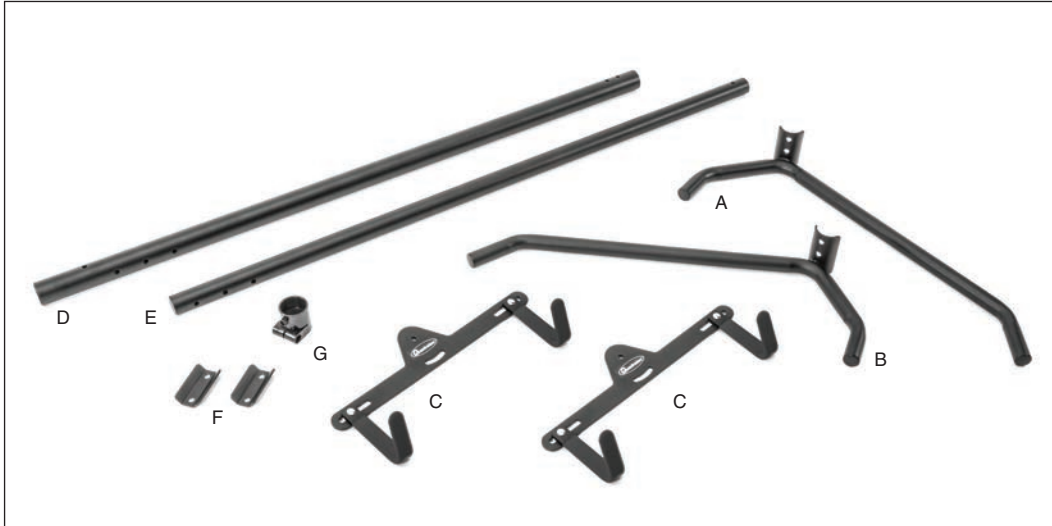
⚠ CAUTION ⚠

ALWAYS LOAD RACK EVENLY TO PREVENT TIPPING. DO NOT OVERLOAD. OBSERVE MAXIMUM CAPACITY OF 65 LBS.



The Trusted Source

Installation Hardware:



PARTS LIST:

- A) Rack Base Left Qty 1
- B) Rack Base Right Qty 1
- C) Rack Hanger Qty 2
- D) Lower Stand Tube Qty 1
- E) Upper Stand Tube Qty 1
- F) Hangar Bracket Qty 2
- G) Pinch Clamp Qty 1
- H) M8x50 Button Head Bolt Qty 3
- I) M8x55 Button Head Bolt Qty 2
- J) M8x60 Button Head Bolt Qty 2
- K) M8 Plastic Washer Qty 4

PARTS LIST:

- L) M8 Steel Washers Qty 14
- M) M8 Nylock Nuts Qty 7

INCLUDED TOOLS:

- N) M5 Hex Wrench
- O) 13/14mm Combo Wrench

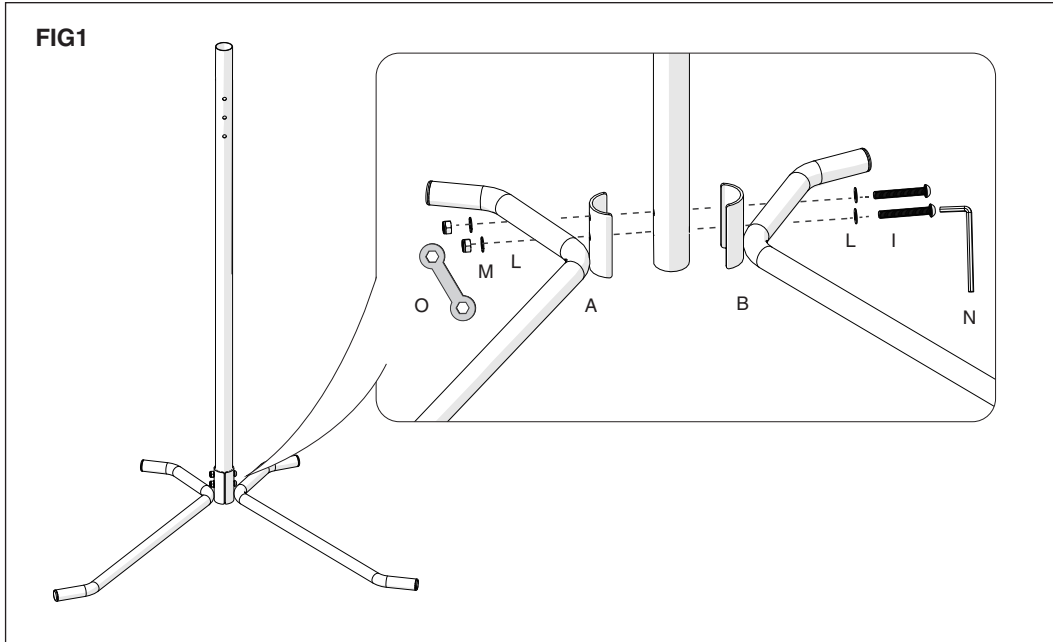
REQUIRED TOOLS:

- Safety Glasses

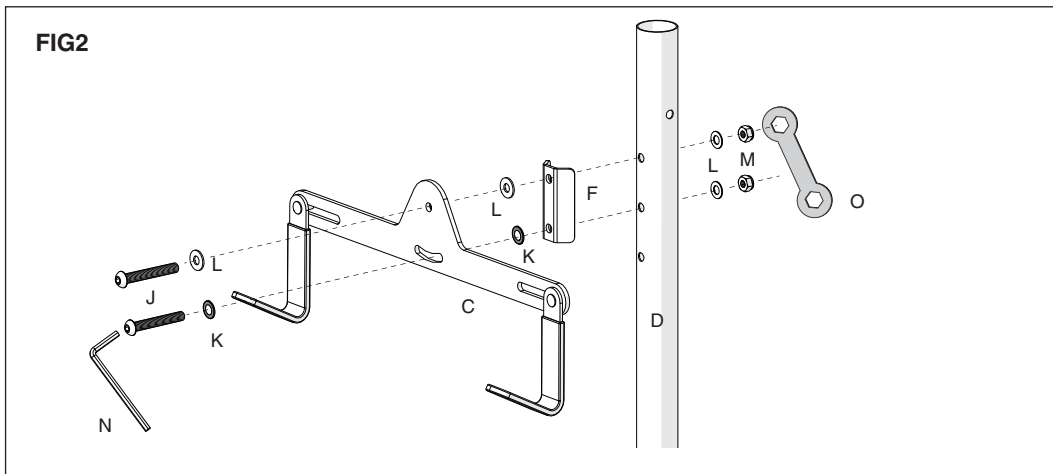


The Trusted Source

Bike Rack Assembly:



Put on safety glasses. Secure both halves of the Rack Base (A&B) to the lower stand tube (D) with (2) M8 x55 button head bolts (I), (4) M8 washers (L) and, (2) Nylocks (M). Tighten with the provided 5mm hex key and combination wrench. (FIG1)

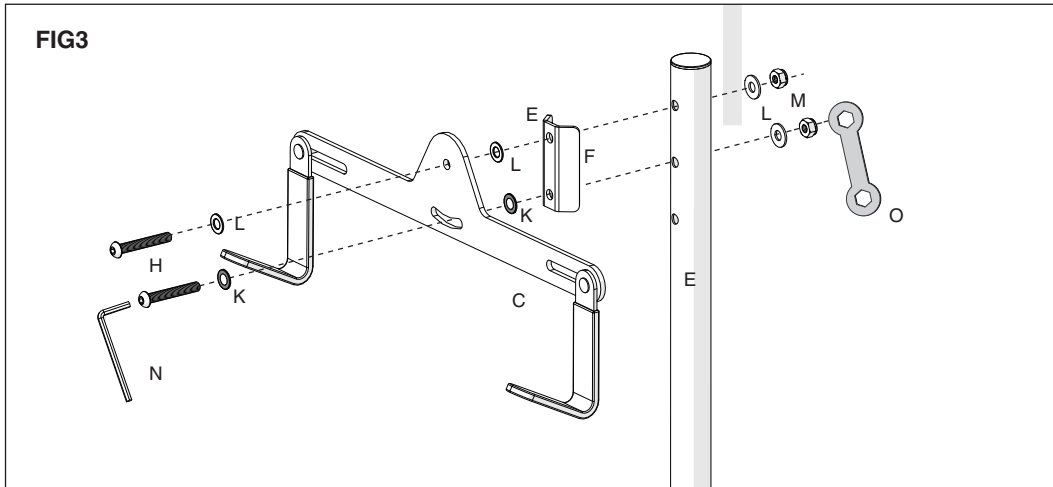


Attach one of the hangers (C) to the top of the lower stand tube (D). Assemble the hanger with (2) M8x60 bolts (J), (1) hanger bracket (F), and (4) M8 washers (L), (2) plastic washers (K) and (4) nylocks (M) as shown above. Ensure that the plastic washers are used on either side of the hanger. Use the included 5mm hex wrench and 13/14 combo wrench (N) to tighten. (FIG2)

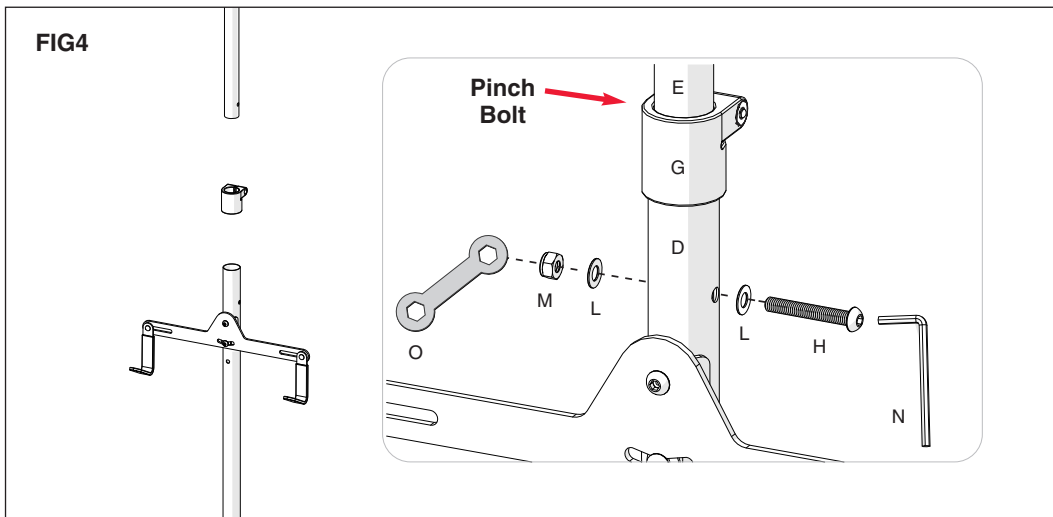


The Trusted Source

Bike Rack Assembly:



Attach the 2nd hanger (C) to the top of the Upper tube (E) with (2) M8x 50 bolts (H), (1) hanger bracket (F), (4) M8 washers (L), (2) plastic washers (K) and (4) nylocks (M). Assembly steps are the same as on the lower tube. (FIG3)



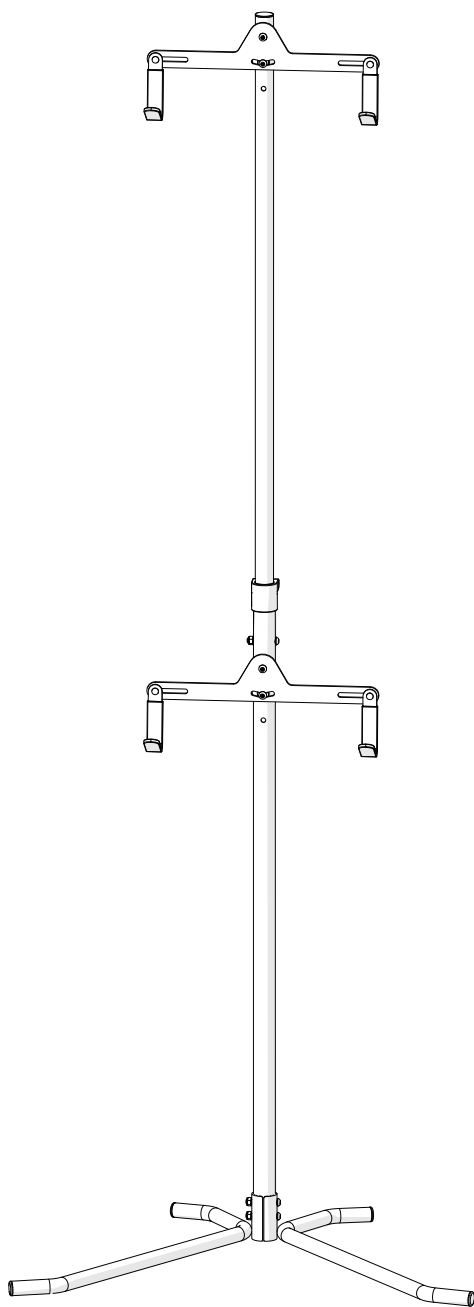
Assemble the top and bottom tube assemblies as shown with the pinch clamp (G) in between the two tubes (D & E). Secure the two assemblies with a M8x50 bolt (H), (2) M8 Washers (L) and a M8 nylock (M). Tighten with the supplied hex key and combination wrench. Finally, tighten the pinch clamp bolt with the 5mm hex key. (FIG4)



The Trusted Source

Bike Rack Assembly:

FIG5



The Trusted Source

Bike Rack Use:

FIG6



Note: Maximum Capacity 65 LBS.



The Trusted Source

Quadratec® Exclusive Three Year Limited Warranty

Your Quadratec® branded accessories are covered by the following **Limited Warranty** provided exclusively by Quadratec, Inc., 1028 Saunders Lane, West Chester PA 19380.

This **Limited Warranty** is the only warranty made in connection with your purchase. Quadratec neither assumes nor authorizes any vendor, retailer or other person or entity to assume for it any other obligation or liability in connection with this product or **Limited Warranty**. This **Limited Warranty** does not apply and is not cumulative to any accessory or part distributed by Quadratec for which the Manufacturer provides a separate written warranty.

What is Covered: Subject to the terms, exclusions and limitations herein and with respect only to Quadratec branded accessories first sold in the United States, Quadratec warrants to the initial retail purchaser only that your Quadratec accessory shall be free of defects in material and workmanship: **for a period of three (3) years from date of retail purchase.**

This **Limited Warranty** is not assignable and shall terminate upon sale of the vehicle upon which the Quadratec accessory is installed or other transfer third persons.

All other warranties are hereby disclaimed, except to the extent prohibited by applicable law in which case any implied warranty of merchantability or fitness for a particular purpose on this product is limited to 3 year from date of initial retail sale. Quadratec reserves the rights to: (a.) require invoice or other proof your accessory is within the terms of this **Limited Warranty** as a condition of warranty service and, (b.) make future revisions to this product and **Limited Warranty** without prior notice or obligation to upgrade your product.

What is Not Covered:
Your Quadratec **Limited Warranty** does not cover products or parts Quadratec determines to have been damaged by or subjected to:

(a.) installation damage, alteration, modification, combination with other parts, failure to maintain or improper repair or service, (b.) normal wear & tear, cosmetic damage or damage from moisture or water immersion, (c.) Acts of God, accidents, misuse, negligence, inadequate mounting or impact with vehicle(s), obstacles or other aspects of the environment, (d.) theft, vandalism or other intentional damage.

Remedy Limited to Repair/Replacement:
The exclusive remedy provided hereunder shall, upon Quadratec inspection and at Quadratec's option, be either repair or replacement of product or parts (new or refurbished) covered under this Limited Warranty. Customers requesting warranty consideration should first contact Quadratec to obtain a RGA number (610-701-3336). All labor, removal, shipping and installation costs are customer's responsibility.

Other Limitations - Exclusion of Damages - Your Rights Under State Law:
In consideration of the purchase price paid, neither Quadratec nor any independent Quadratec distributor/licensee are responsible for any time loss, rental costs, or for any incidental, consequential, punitive or other damages you may have or incur in connection with any part or product purchased. Your exclusive remedy hereunder for covered parts is repair/replacement as described above.

This **Limited Warranty** gives you specific rights. You may also have other rights that vary from state to state. For example, some states do not allow limitations of how long an implied warranty lasts and /or do not allow the exclusion or limitation of incidental or consequential damages, so the limitations and exclusions herein may not apply to you.

©Quadratec, Inc. 2019. All Rights Reserved.
6.6.19 A4 Version

Part #12999.3137



The Trusted Source