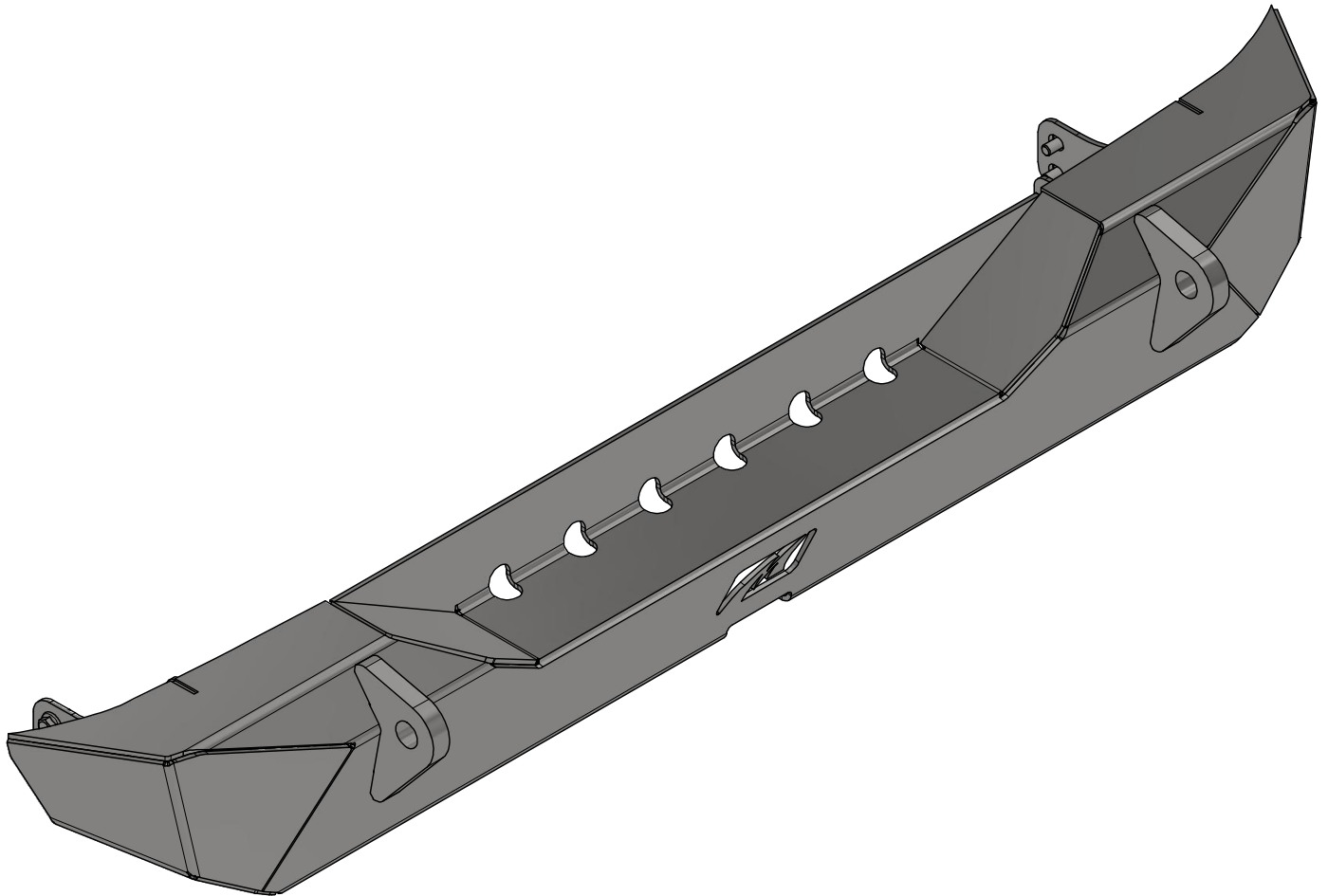


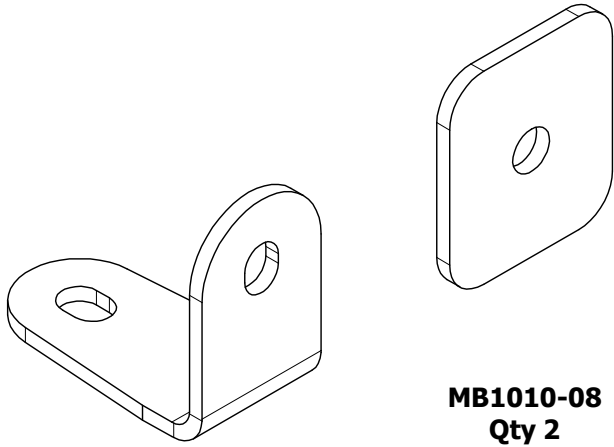
**MB1010 - Assembly Instructions****STUBBY REAR BUMPER FOR JK / JKU**

Compatible with 2007 - 2018

**ASSEMBLY INSTRUCTIONS**

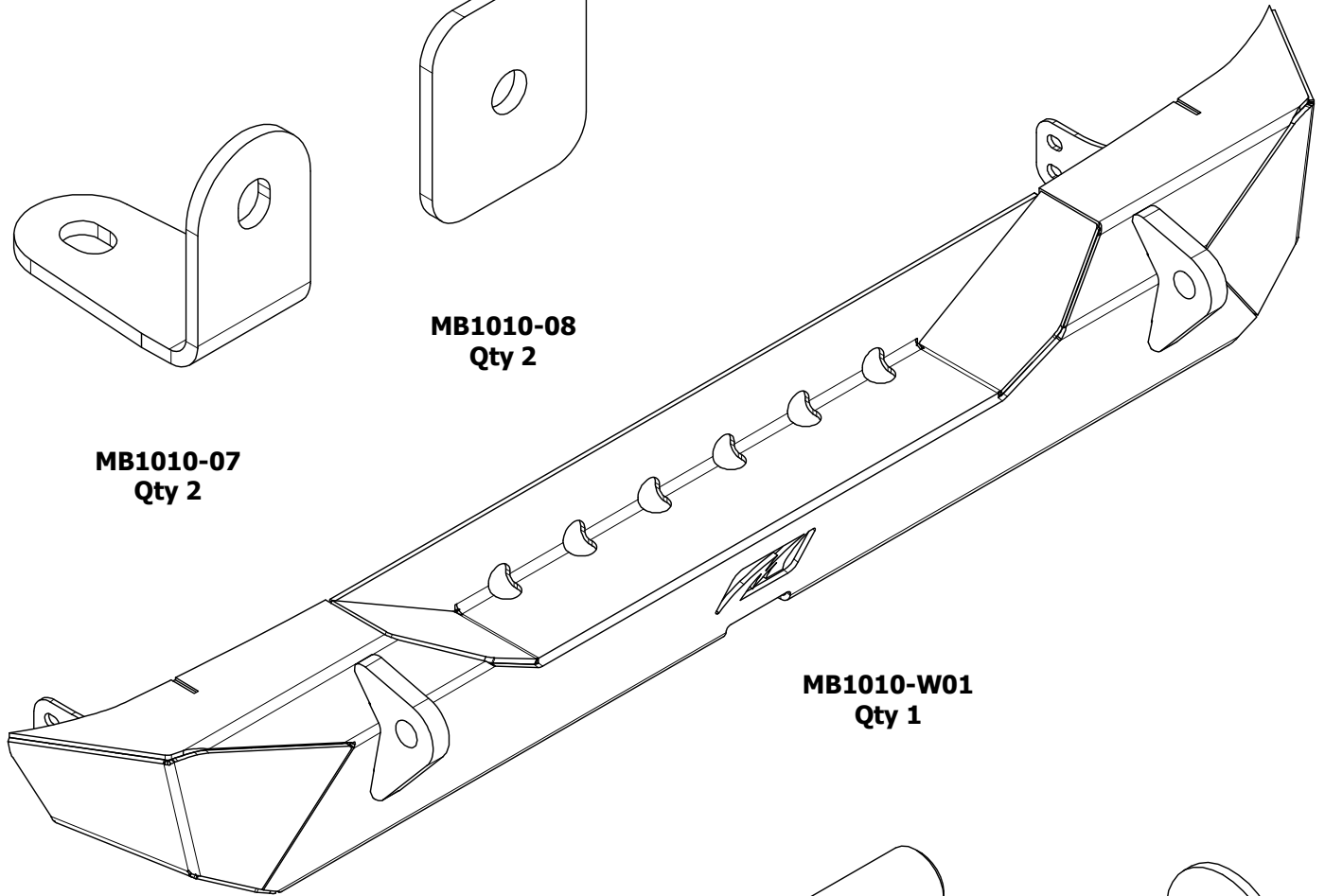
**MB1010 - Assembly Instructions**

**CONTENTS**

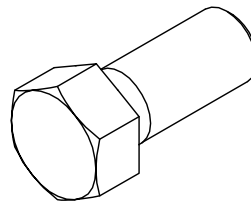


**MB1010-07**  
Qty 2

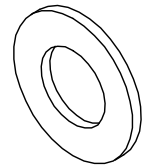
**MB1010-08**  
Qty 2



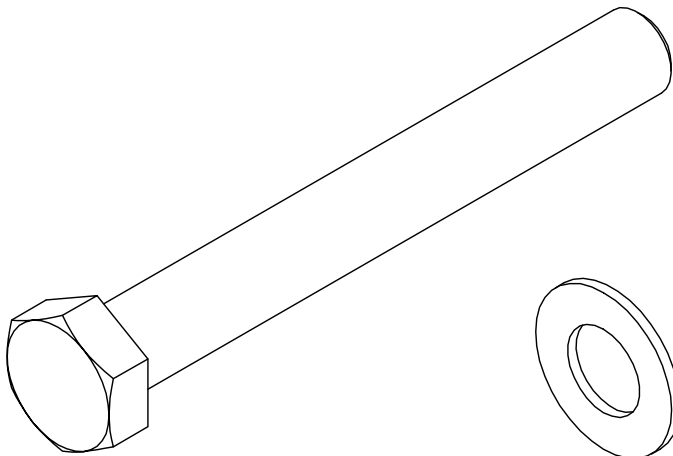
**MB1010-W01**  
Qty 1



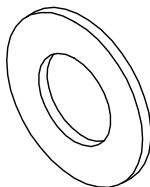
**7/16-14 x 1" Hex G8 YZ**  
Qty 2



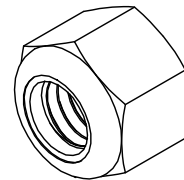
**7/16" Flat Washer G8 YZ**  
Qty 2



**1/2-13 x 4" Hex G8 YZ**  
Qty 2



**1/2" Flat Washer G8 YZ**  
Qty 4



**1/2"-13 Nylock Nut G8 YZ**  
Qty 2

## MB1010 - Assembly Instructions



### Preparation and Installation Guide

**Compatibility:** This product is designed to work with the Jeep JK 2-Door and 4-Door models. The bumper is engineered for off-road use and can be installed with or without a factory-style receiver hitch (hitch sold separately).

**1. Factory Hitch:** If equipped, remove the factory rear bumper and receiver hitch before installation.

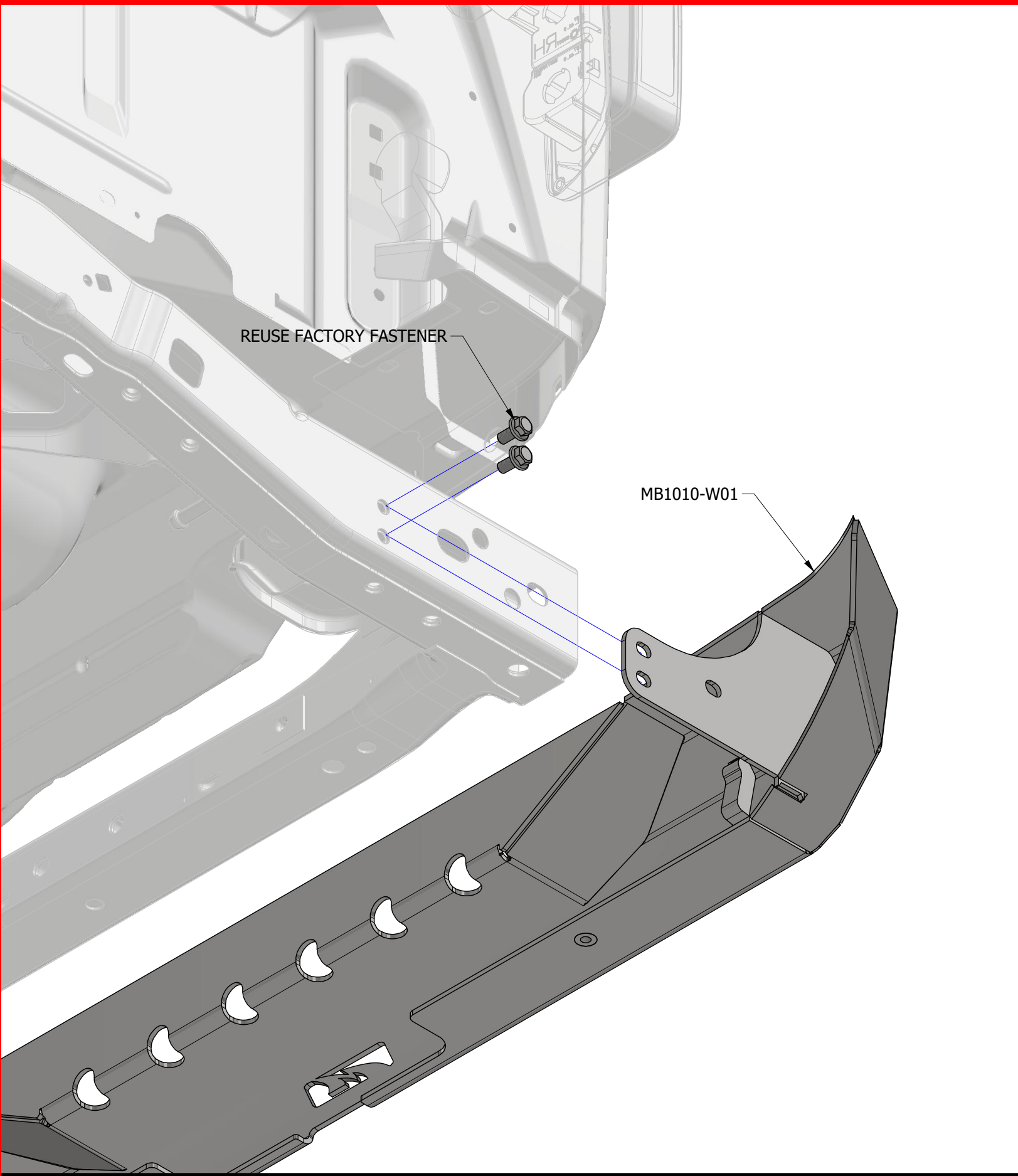
**2. Hardware:** The bumper is a direct bolt-on installation and utilizes the supplied hardware and original OE hardware.

**3. Finishing:** The bumper ships as bare steel and must be painted or powder coated to prevent rust.

**Pro Tip:** Use STEEL-IT paint, which can be welded through and easily touched up afterward.

**Note:** Motobilt, Inc. products are intended for **OFF-ROAD USE ONLY**. See full legal disclaimer at the end of these instructions.

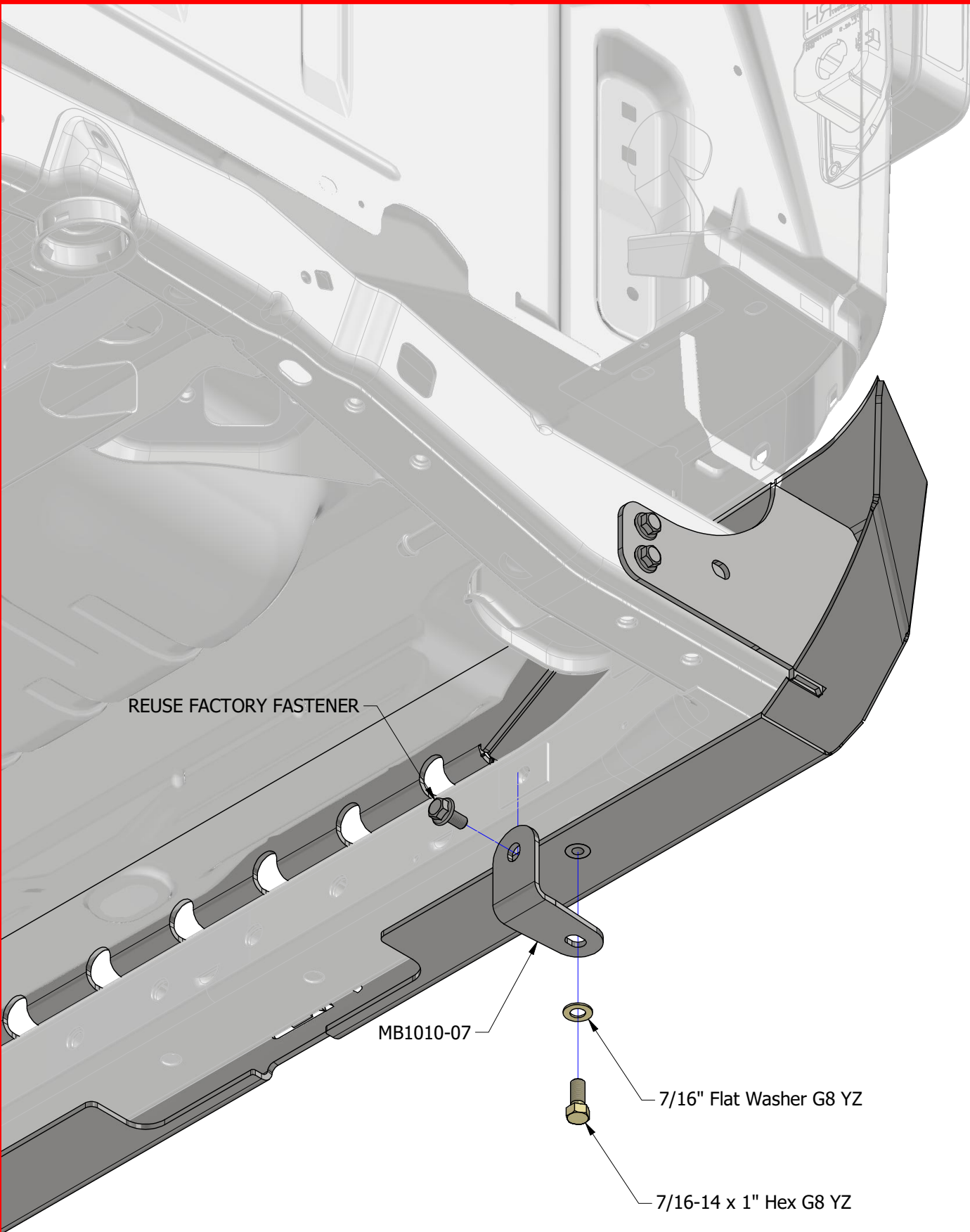
**MB1010 - Assembly Instructions**



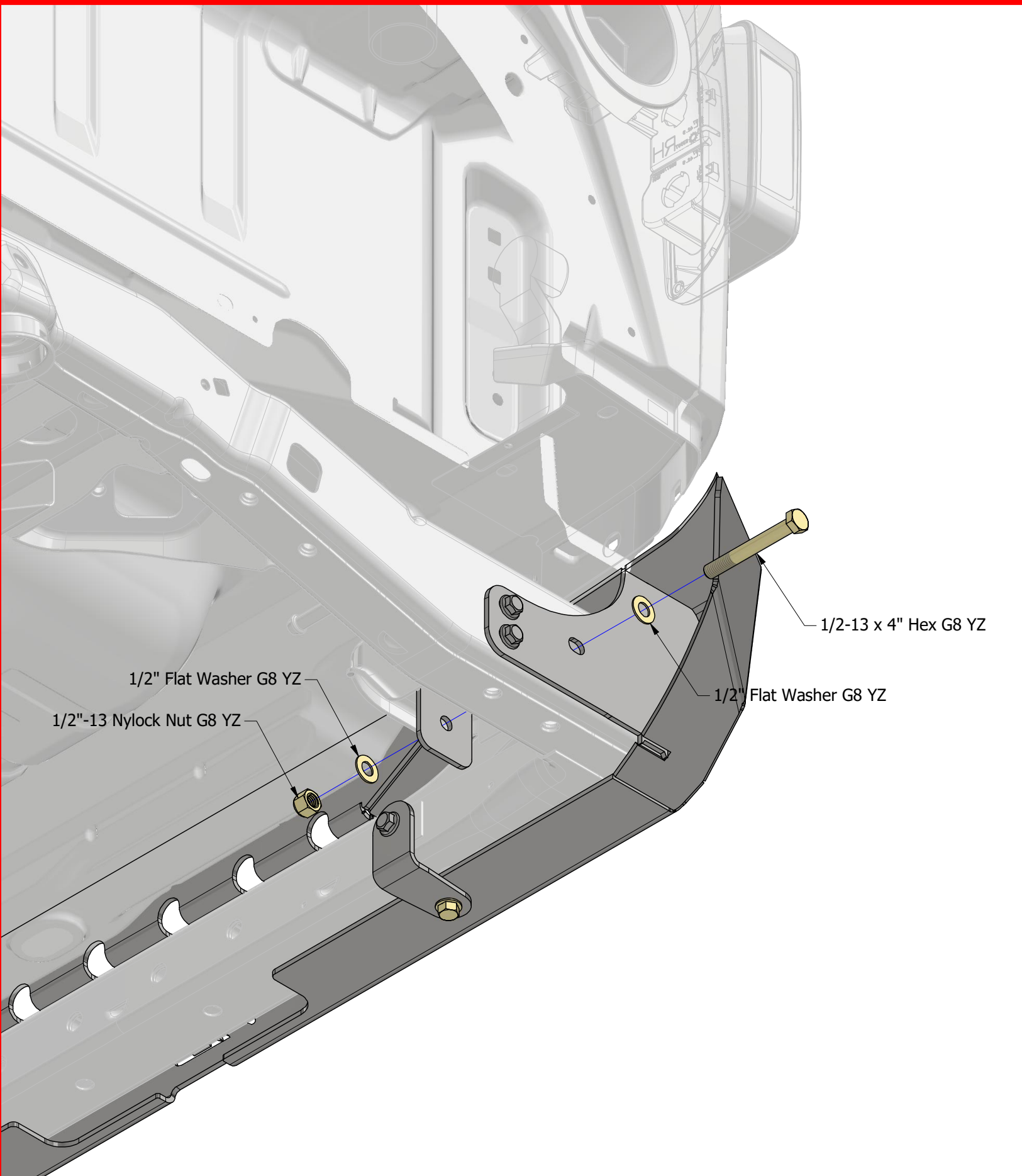
REUSE FACTORY FASTENER

MB1010-W01

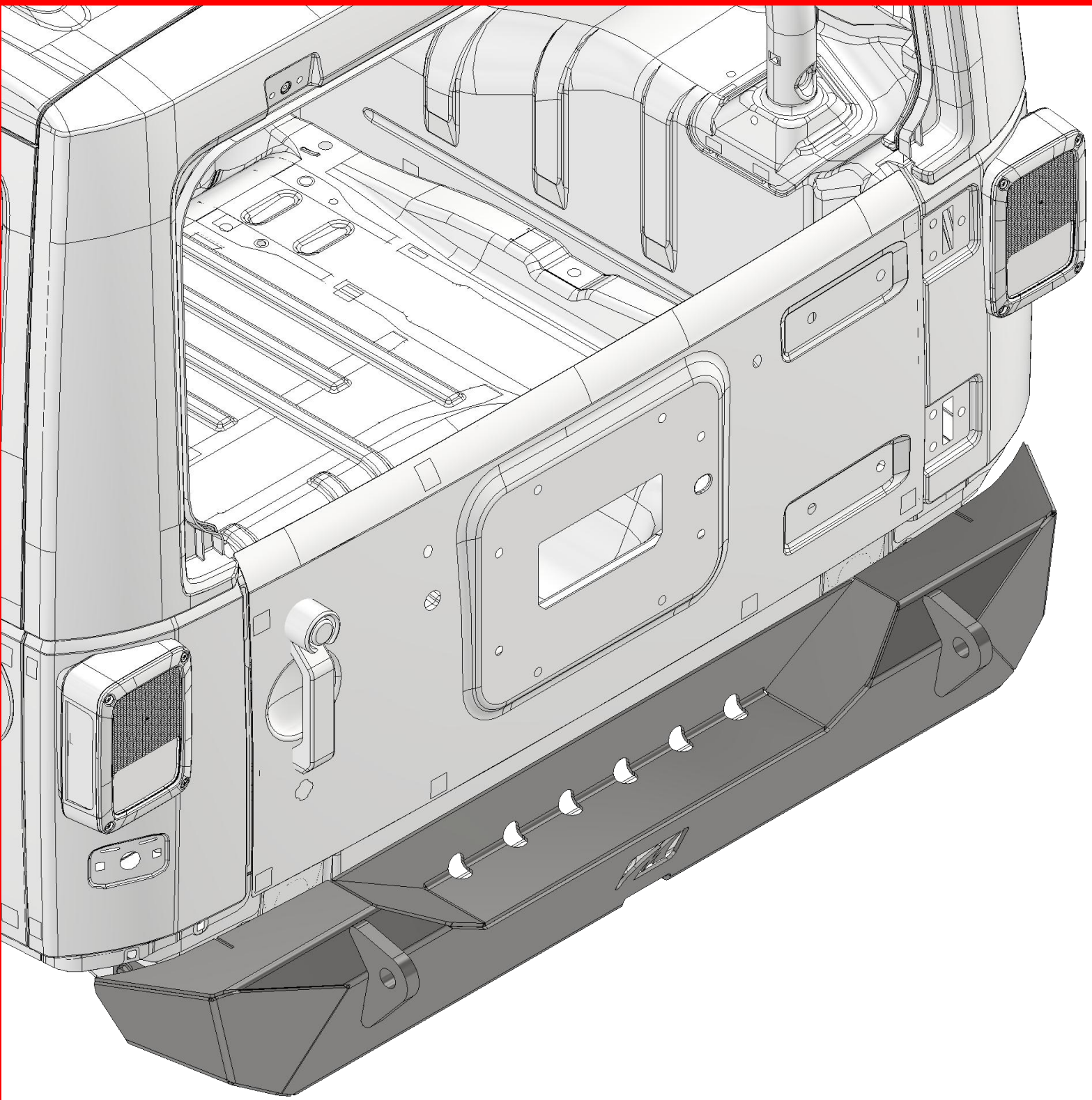
**MB1010 - Assembly Instructions**



**MB1010 - Assembly Instructions**



**MB1010 - Assembly Instructions**



## **LEGAL DISCLAIMER**

**Motobilt, Inc.** products are designed and manufactured primarily for **OFF-ROAD USE ONLY**. They are not certified or approved for street or highway use and may not comply with vehicle safety standards or regulations. Vehicle modifications, including the installation of Motobilt, Inc. products, may alter the handling, performance, and durability of a vehicle.

By purchasing, installing, or using any Motobilt, Inc. product, the purchaser and installer expressly acknowledge and agree to the following terms:

### **1. ASSUMPTION OF RISK**

The purchaser and installer understand and accept that the installation and use of aftermarket products involve inherent risks, including but not limited to vehicle damage, property damage, serious injury, or death. All such risks are voluntarily assumed.

### **2. NO WARRANTY OF SAFETY**

Motobilt, Inc. makes no representations, warranties, or guarantees, express or implied, regarding the safety, performance, or structural integrity of its products. Motobilt, Inc. products are not intended to prevent injury or death in the event of an accident, rollover, or collision.

### **3. INSTALLATION RESPONSIBILITY**

Some Motobilt products require advanced fabrication, cutting, or welding skills. Others may require specialized tools or mechanical knowledge. Motobilt, Inc. is not responsible for improper installation, modification, or misuse of its products. Professional installation by a qualified individual is strongly recommended.

### **4. COMPLIANCE WITH LAWS AND REGULATIONS**

The purchaser and installer are solely responsible for ensuring that the vehicle and installed products comply with all applicable local, state, and federal laws and safety regulations. Vehicle modifications may void factory warranties and may render the vehicle illegal for use on public roads.

### **5. MAINTENANCE AND INSPECTION**

All products should be inspected regularly for signs of wear, fatigue, or damage. Continued use of damaged or improperly installed equipment increases the risk of failure and potential injury. The responsibility for inspection and maintenance rests solely with the owner and operator.

### **6. WARRANTY DISCLAIMER**

Unless expressly stated in a written limited warranty issued by Motobilt, Inc. for a specific product, all Motobilt, Inc. products are sold "as is" and without express warranties of any kind. If a written limited warranty applies, its terms are exclusive and govern the extent of Motobilt, Inc. obligations.

To the fullest extent permitted by law, Motobilt, Inc. expressly disclaims all implied warranties, including but not limited to implied warranties of merchantability, fitness for a particular purpose, and non-infringement. No oral or written statement by Motobilt, Inc., its employees, dealers, or representatives shall constitute or create any warranty, obligation, or liability beyond what is contained in official written documentation issued by Motobilt, Inc.

### **7. LIMITATION OF LIABILITY**

To the fullest extent permitted by law, Motobilt, Inc. disclaims all liability for any direct, indirect, incidental, consequential, or punitive damages arising out of the purchase, installation, or use of its products. This includes, but is not limited to, claims for property damage, personal injury, loss of use, or loss of income.

### **8. USER ACKNOWLEDGMENT**

By purchasing, installing, or using Motobilt, Inc. products, the purchaser and installer acknowledge that they have read, understood, and accepted the terms of this disclaimer and voluntarily assume all associated risks.