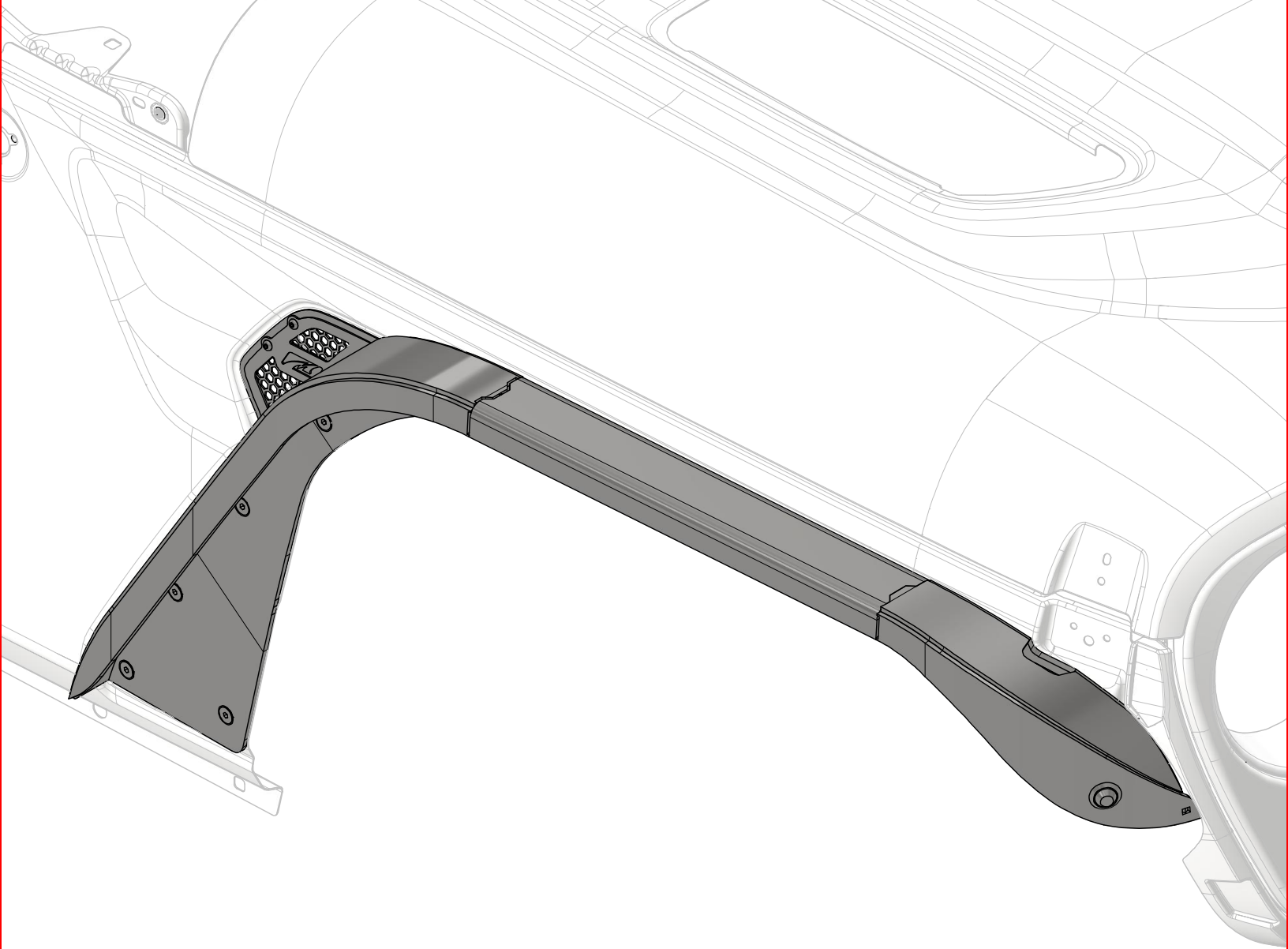


MB1196 - Assembly Instructions

Hatchet High Line Front Fenders

Compatible with JL / JLU / JT



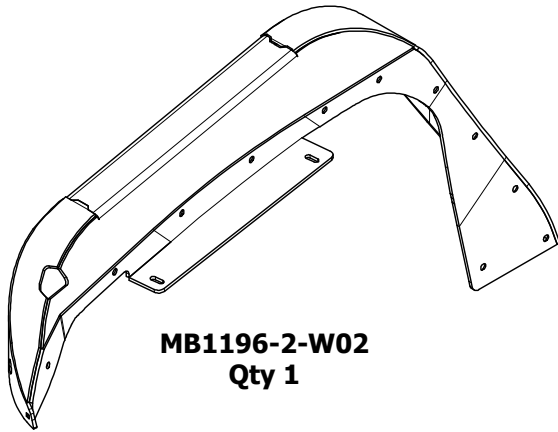
ASSEMBLY INSTRUCTIONS

MB1196-2

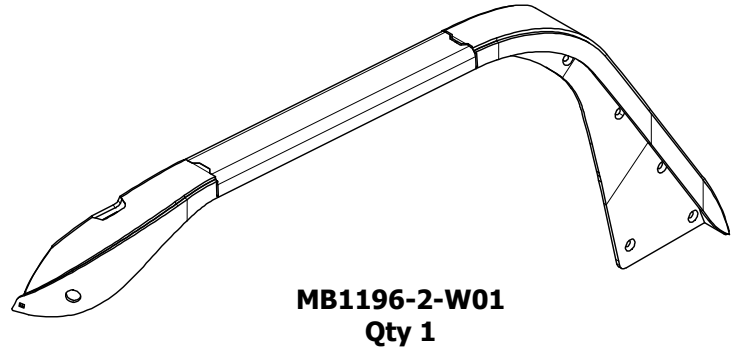
PASSENGER

CONTENTS

DRIVER



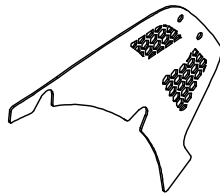
MB1196-2-W02
Qty 1



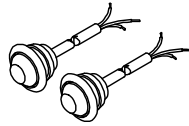
MB1196-2-W01
Qty 1



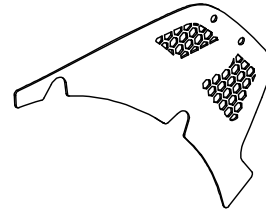
MB1196-04
Qty 1



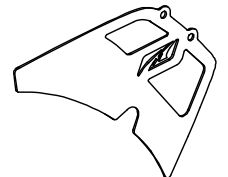
MB1196-02
Qty 1



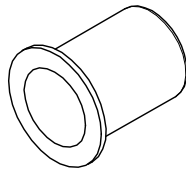
MB6500
Qty 1



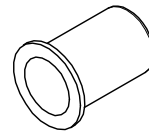
MB1196-01
Qty 1



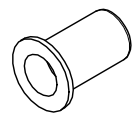
MB1196-03
Qty 1



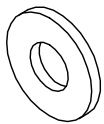
5/16"-18 Riv Nut YZ
Qty 22



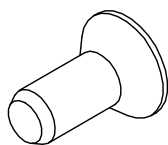
1/4"-20 Riv Nut YZ
Qty 4



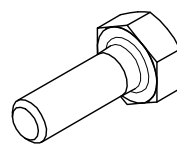
#10-24 Riv Nut YZ
Qty 4



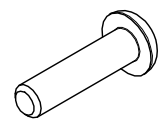
1/4" Flat Washer G8 YZ
Qty 4



1/4-20 x 3/4" Hex G8 YZ
Qty 22



1/4-20 x 3/4" Hex G8 YZ
Qty 4



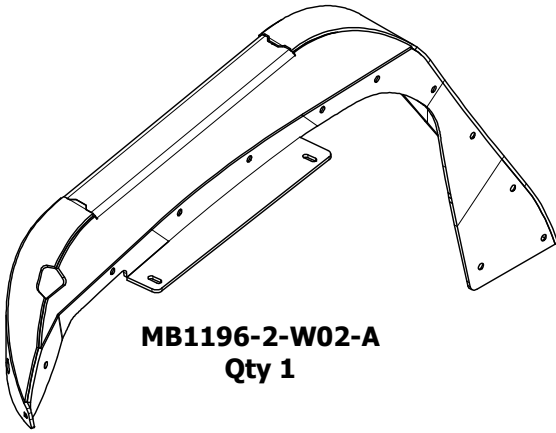
#10-24 x 3/4" BHS-SS
Qty 4

MB1196-2-A

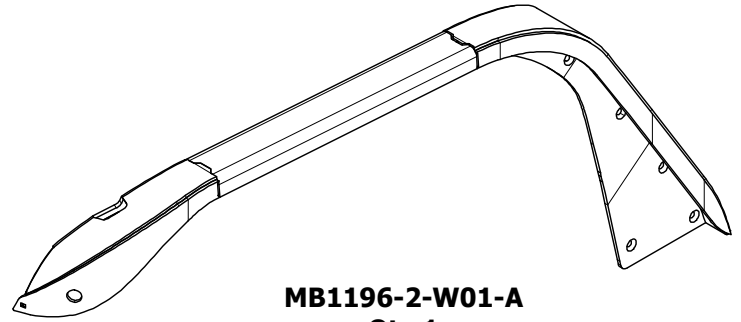
PASSENGER

CONTENTS

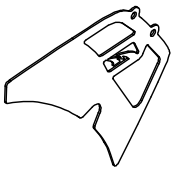
DRIVER



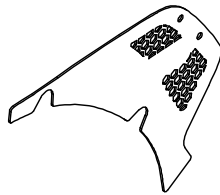
MB1196-2-W02-A
Qty 1



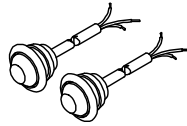
MB1196-2-W01-A
Qty 1



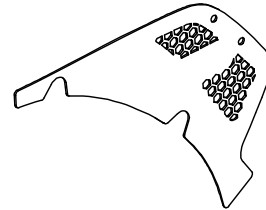
MB1196-04
Qty 1



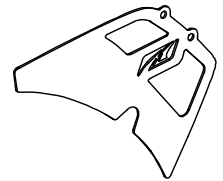
MB1196-02
Qty 1



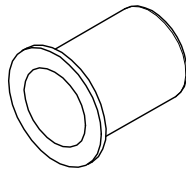
MB6500
Qty 1



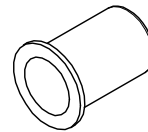
MB1196-01
Qty 1



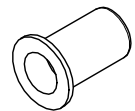
MB1196-03
Qty 1



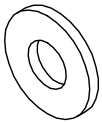
5/16"-18 Riv Nut YZ
Qty 22



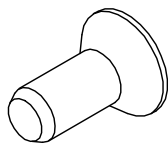
1/4"-20 Riv Nut YZ
Qty 4



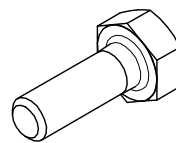
#10-24 Riv Nut YZ
Qty 4



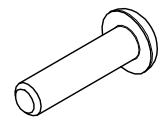
1/4" Flat Washer G8 YZ
Qty 4



1/4-20 x 3/4" Hex G8 YZ
Qty 22



1/4-20 x 3/4" Hex G8 YZ
Qty 4



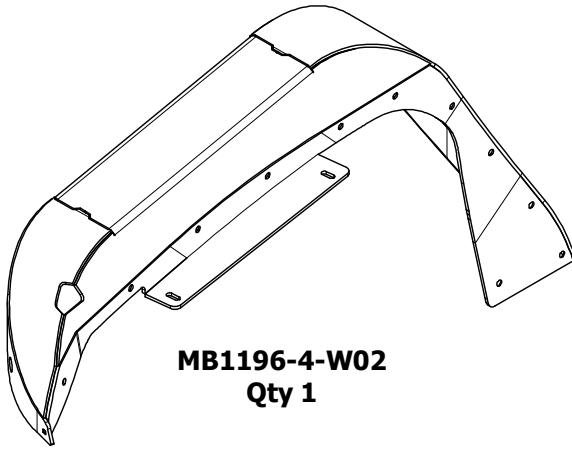
#10-24 x 3/4" BHS-SS
Qty 4

MB1196-4

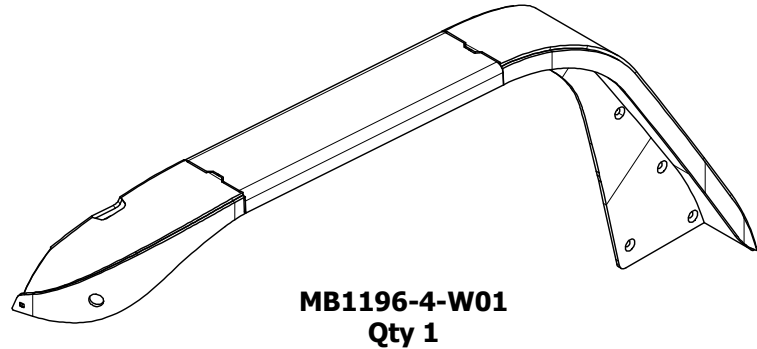
CONTENTS

PASSENGER

DRIVER



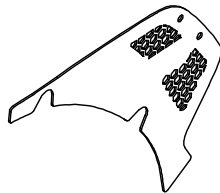
MB1196-4-W02
Qty 1



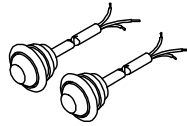
MB1196-4-W01
Qty 1



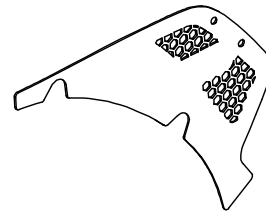
MB1196-04
Qty 1



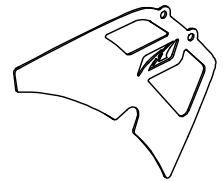
MB1196-02
Qty 1



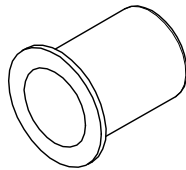
MB6500
Qty 1



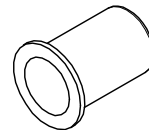
MB1196-01
Qty 1



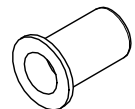
MB1196-03
Qty 1



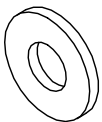
5/16\"-18 Riv Nut YZ
Qty 22



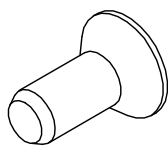
1/4\"-20 Riv Nut YZ
Qty 4



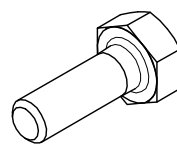
#10-24 Riv Nut YZ
Qty 4



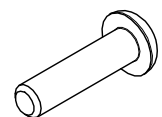
1/4\" Flat Washer G8 YZ
Qty 4



1/4-20 x 3/4\" Hex G8 YZ
Qty 22



1/4-20 x 3/4\" Hex G8 YZ
Qty 4



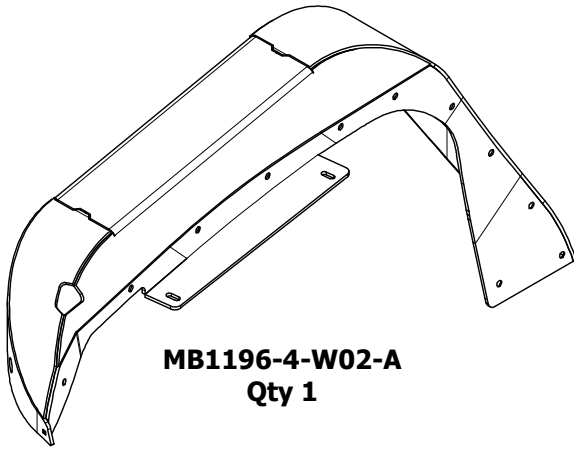
#10-24 x 3/4\" BHS-SS
Qty 4

MB1196-4-A

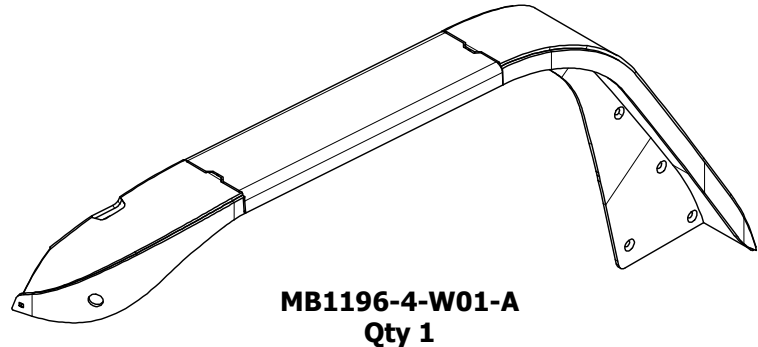
CONTENTS

PASSENGER

DRIVER



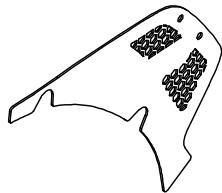
MB1196-4-W02-A
Qty 1



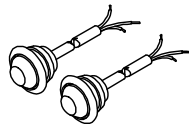
MB1196-4-W01-A
Qty 1



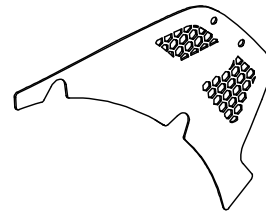
MB1196-04
Qty 1



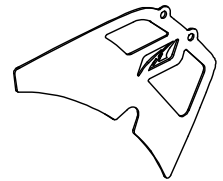
MB1196-02
Qty 1



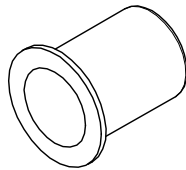
MB6500
Qty 1



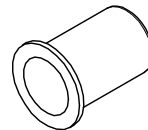
MB1196-01
Qty 1



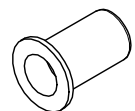
MB1196-03
Qty 1



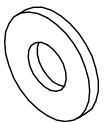
5/16"-18 Riv Nut YZ
Qty 22



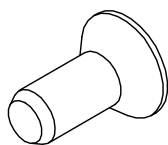
1/4"-20 Riv Nut YZ
Qty 4



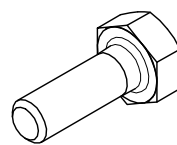
#10-24 Riv Nut YZ
Qty 4



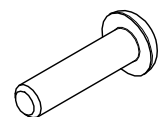
1/4" Flat Washer G8 YZ
Qty 4



1/4-20 x 3/4" Hex G8 YZ
Qty 22



1/4-20 x 3/4" Hex G8 YZ
Qty 4



#10-24 x 3/4" BHS-SS
Qty 4



Preparation and Installation Guide

Compatibility: This product fits Jeep JL / JLU / JT from 18-Present. These fenders are designed to replace factory fenders and provide more clearance for larger tires or for aftermarket suspension systems that need the clearance needed to cycle freely.

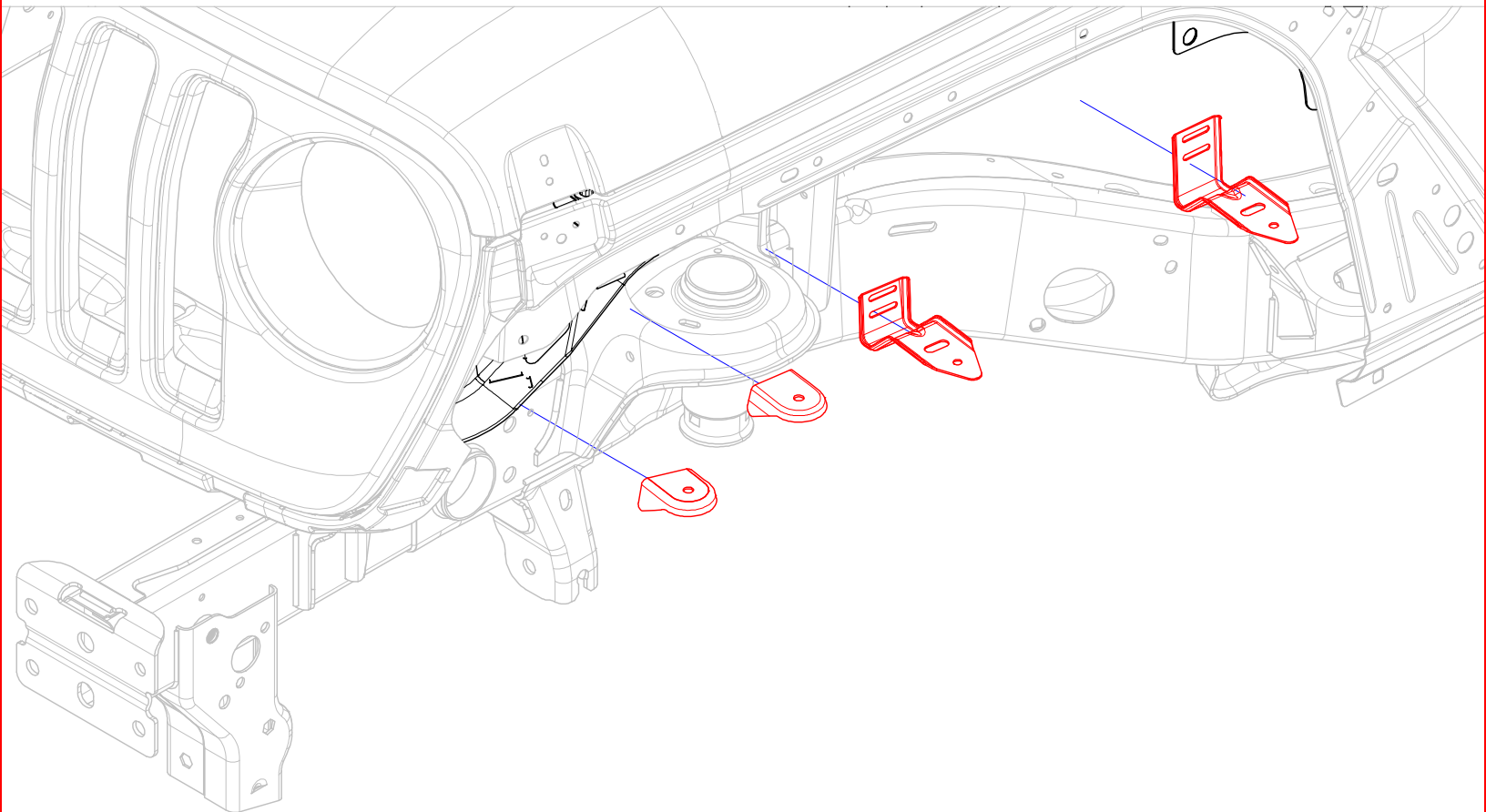
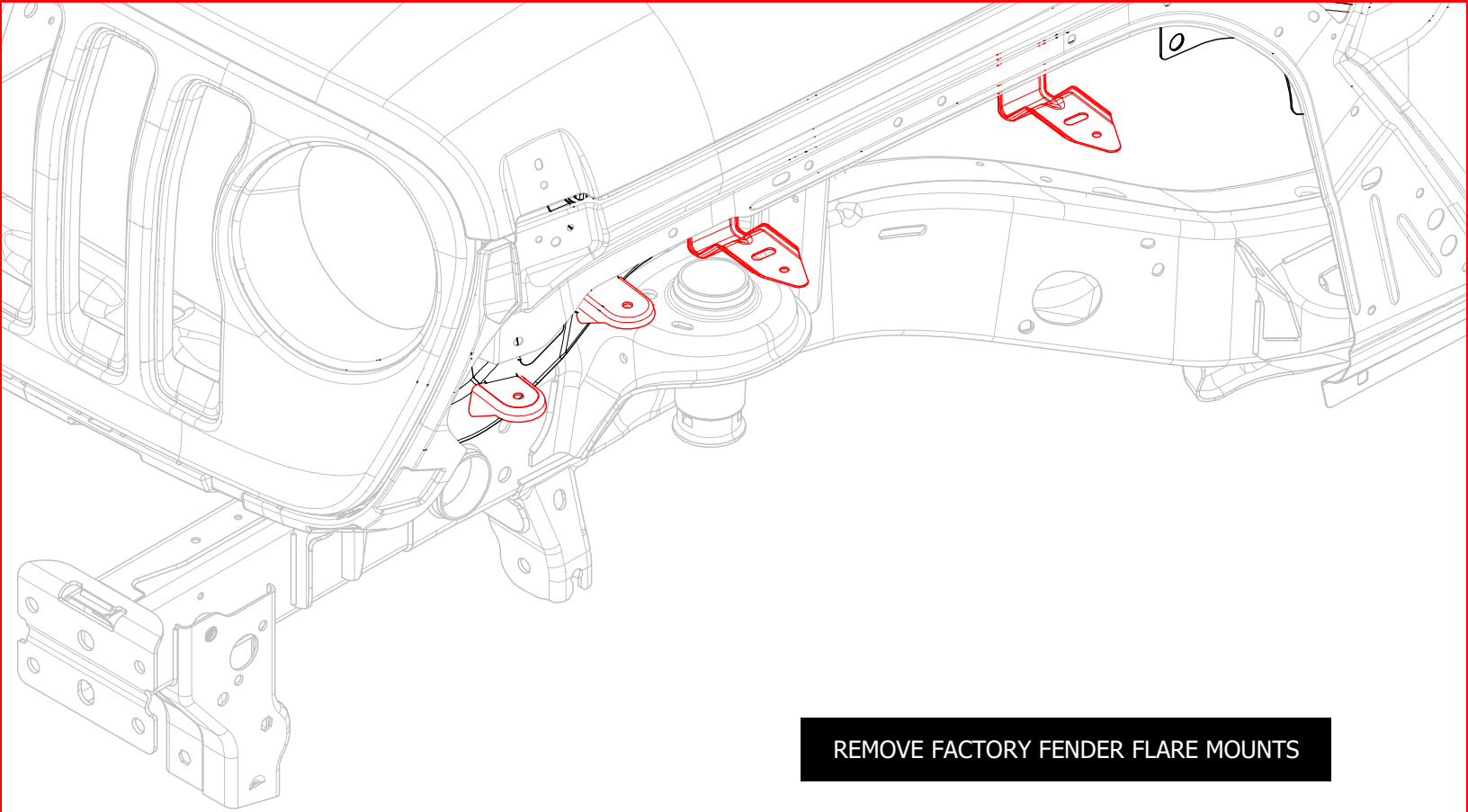
1. Prepare and Inspect: Unbox and inspect all components to ensure everything is included and free of damage.

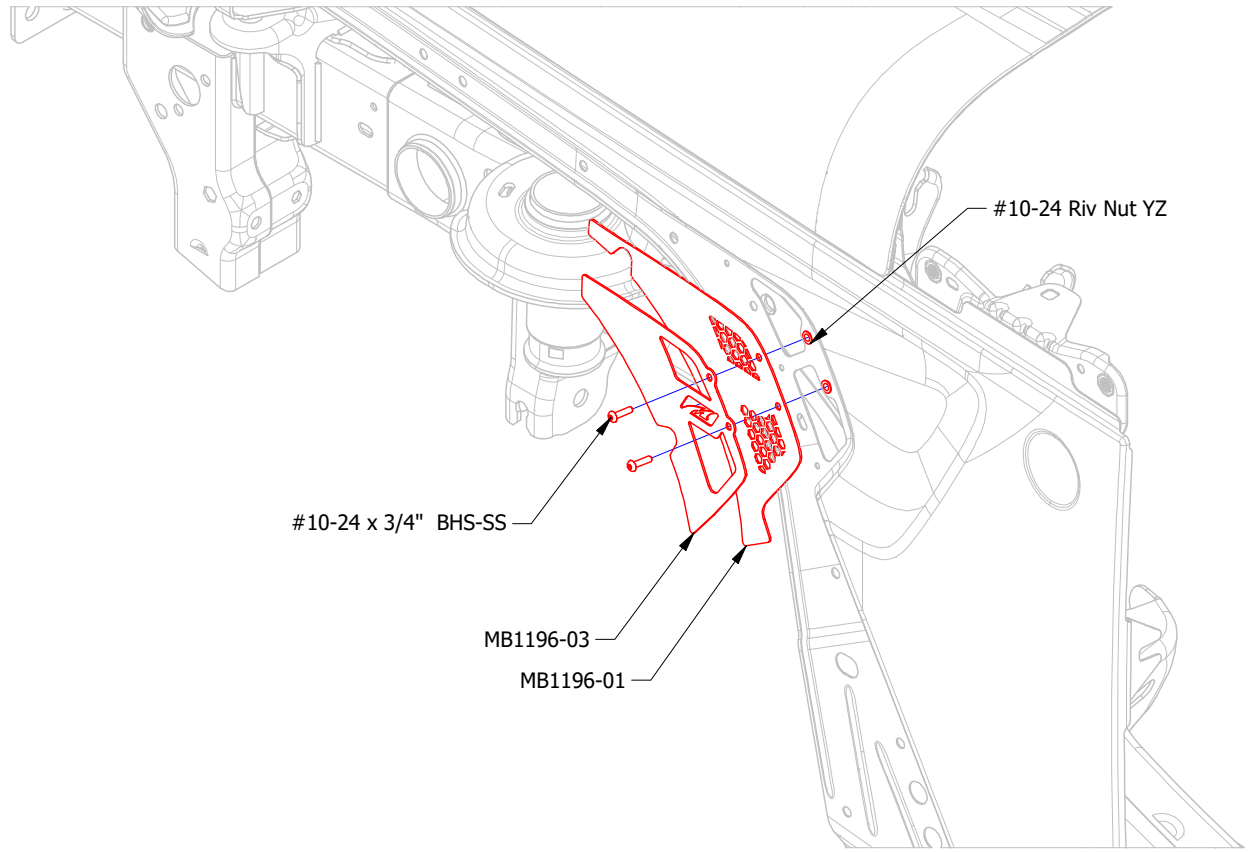
2. Prep for Install: Begin by removing the factory fender flares. Then remove the factory flare mounts.

3. Finishing: All parts are shipped bare metal and will need to be painted or powder coated to prevent corrosion.

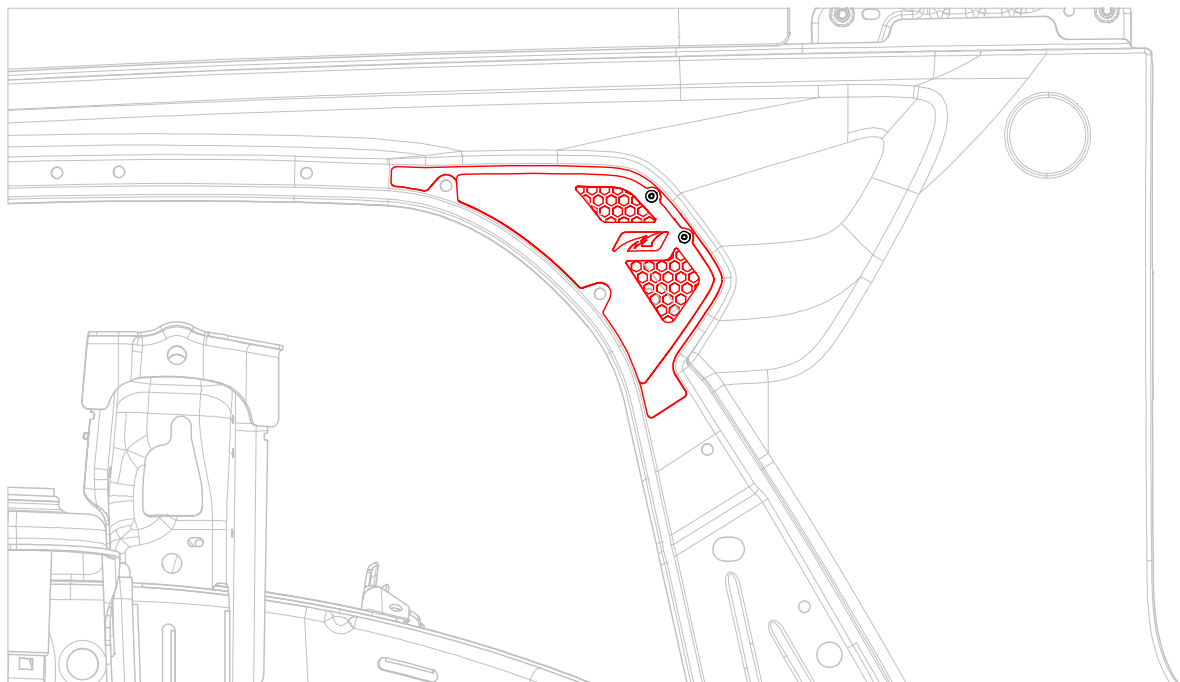
Pro Tip: Use STEEL-IT paint, which can be welded through and easily touched up afterward.

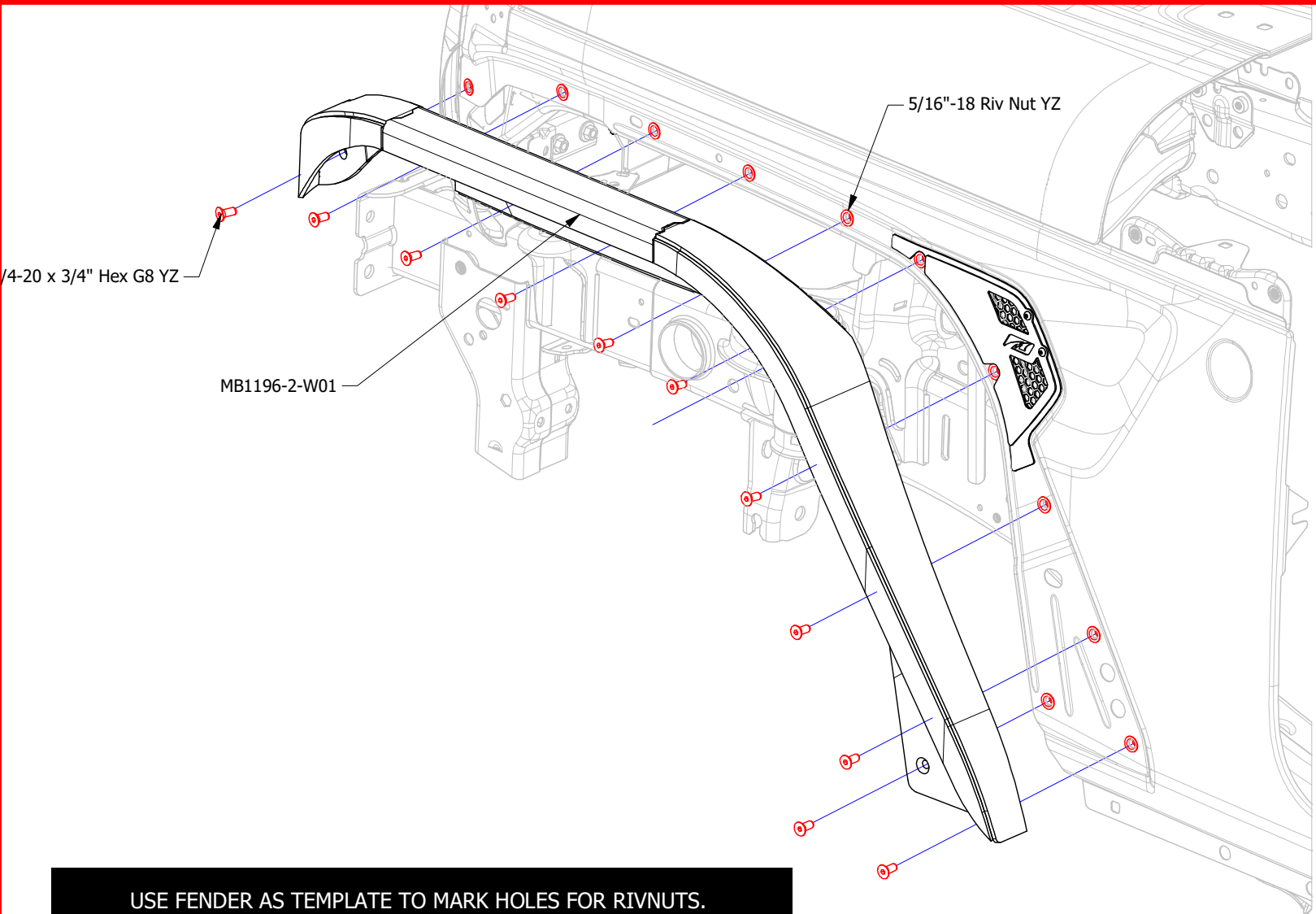
Note: Motobilt, Inc. products are intended for **OFF-ROAD USE ONLY**. See full legal disclaimer at the end of these instructions.

MB1196 - Assembly Instructions

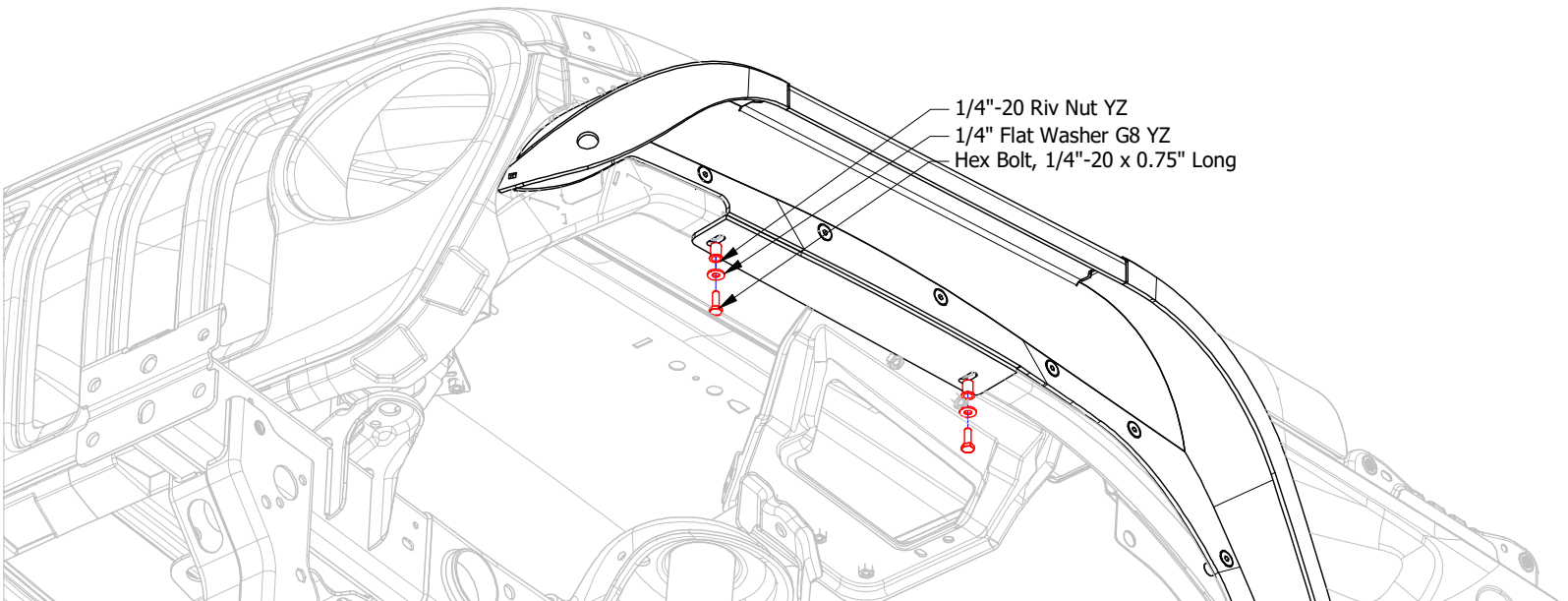
MB1196 - Assembly Instructions

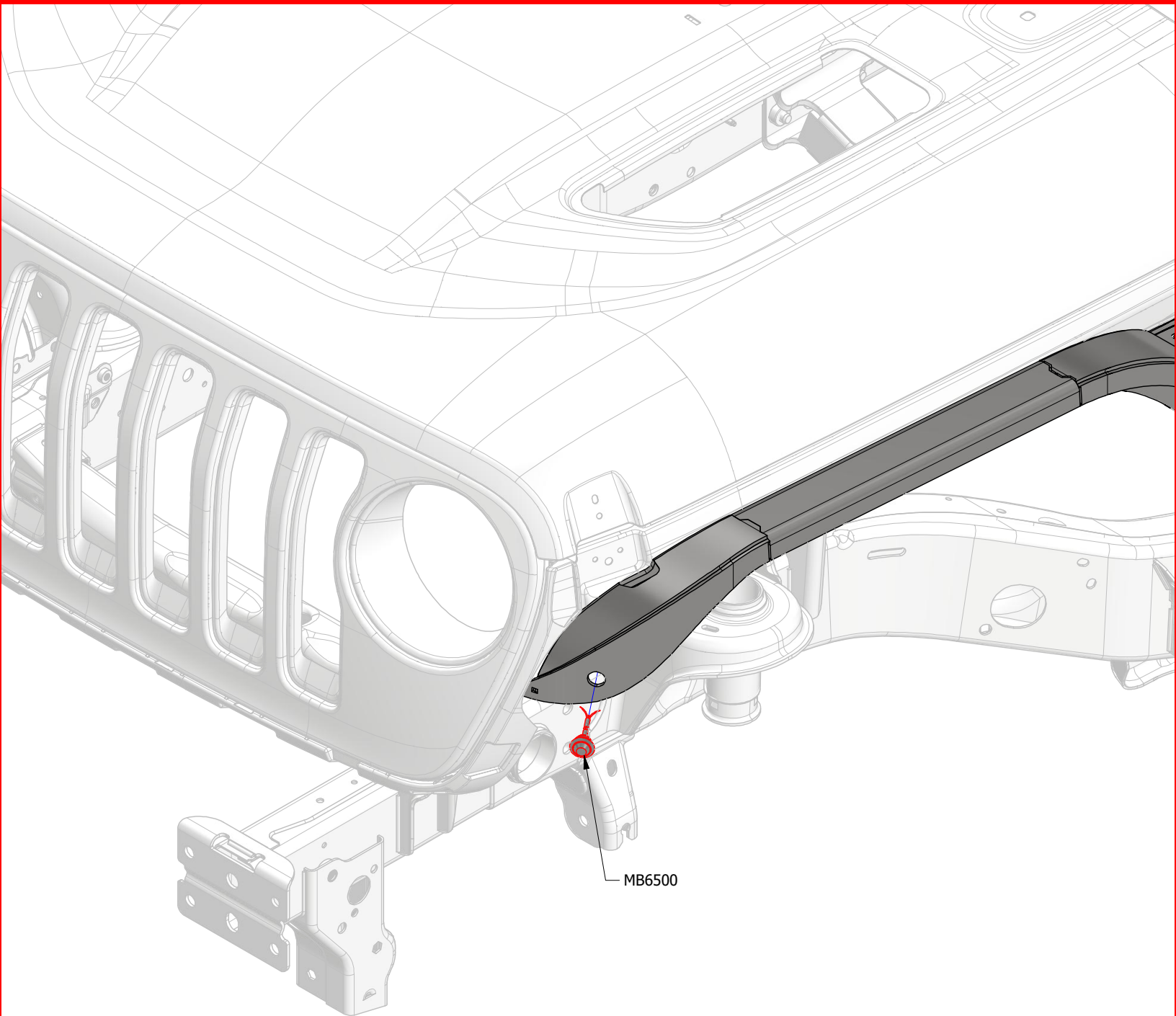
ALIGN VENT PLATES WITH AN EVEN REVEAL AROUND FENDER. MARK RIVNUT LOCATION AND DRILL A 19/64" HOLE THEN INSTALL RIVNUT.



MB1196 - Assembly Instructions

USE FENDER AS TEMPLATE TO MARK HOLES FOR RIVNUTS.
DRILL TO 17/32" FOR 5/16" RIVNUTS AND 25/64" FOR 1/4" RIVNUTS



MB1196 - Assembly Instructions

INSTALL LIGHTS AND ROUTE WIRING

LEGAL DISCLAIMER

Motobilt, Inc. products are designed and manufactured primarily for **OFF-ROAD USE ONLY**. They are not certified or approved for street or highway use and may not comply with vehicle safety standards or regulations. Vehicle modifications, including the installation of Motobilt, Inc. products, may alter the handling, performance, and durability of a vehicle.

By purchasing, installing, or using any Motobilt, Inc. product, the purchaser and installer expressly acknowledge and agree to the following terms:

1. ASSUMPTION OF RISK

The purchaser and installer understand and accept that the installation and use of aftermarket products involve inherent risks, including but not limited to vehicle damage, property damage, serious injury, or death. All such risks are voluntarily assumed.

2. NO WARRANTY OF SAFETY

Motobilt, Inc. makes no representations, warranties, or guarantees, express or implied, regarding the safety, performance, or structural integrity of its products. Motobilt, Inc. products are not intended to prevent injury or death in the event of an accident, rollover, or collision.

3. INSTALLATION RESPONSIBILITY

Some Motobilt products require advanced fabrication, cutting, or welding skills. Others may require specialized tools or mechanical knowledge. Motobilt, Inc. is not responsible for improper installation, modification, or misuse of its products. Professional installation by a qualified individual is strongly recommended.

4. COMPLIANCE WITH LAWS AND REGULATIONS

The purchaser and installer are solely responsible for ensuring that the vehicle and installed products comply with all applicable local, state, and federal laws and safety regulations. Vehicle modifications may void factory warranties and may render the vehicle illegal for use on public roads.

5. MAINTENANCE AND INSPECTION

All products should be inspected regularly for signs of wear, fatigue, or damage. Continued use of damaged or improperly installed equipment increases the risk of failure and potential injury. The responsibility for inspection and maintenance rests solely with the owner and operator.

6. WARRANTY DISCLAIMER

Unless expressly stated in a written limited warranty issued by Motobilt, Inc. for a specific product, all Motobilt, Inc. products are sold "as is" and without express warranties of any kind. If a written limited warranty applies, its terms are exclusive and govern the extent of Motobilt, Inc. obligations.

To the fullest extent permitted by law, Motobilt, Inc. expressly disclaims all implied warranties, including but not limited to implied warranties of merchantability, fitness for a particular purpose, and non-infringement. No oral or written statement by Motobilt, Inc., its employees, dealers, or representatives shall constitute or create any warranty, obligation, or liability beyond what is contained in official written documentation issued by Motobilt, Inc.

7. LIMITATION OF LIABILITY

To the fullest extent permitted by law, Motobilt, Inc. disclaims all liability for any direct, indirect, incidental, consequential, or punitive damages arising out of the purchase, installation, or use of its products. This includes, but is not limited to, claims for property damage, personal injury, loss of use, or loss of income.

8. USER ACKNOWLEDGMENT

By purchasing, installing, or using Motobilt, Inc. products, the purchaser and installer acknowledge that they have read, understood, and accepted the terms of this disclaimer and voluntarily assume all associated risks.