

MB8009 - Assembly Instructions Tail Light Bezel Kit for JL/JLU

MB8009 - TAIL LIGHT KIT FOR JL/JLU



ASSEMBLY INSTRUCTIONS

MB8009 - Shipping Tail Light Kit for JL/JLU

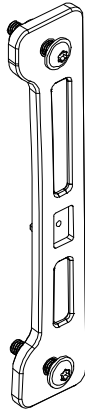
CONTENTS



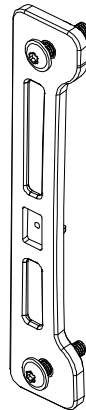
MB8009-01
Qty 1



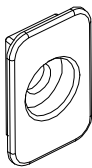
MB8009-02
Qty 1



MB8009-03
Qty 1



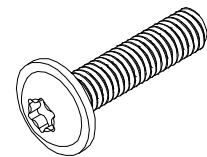
MB8009-04
Qty 1



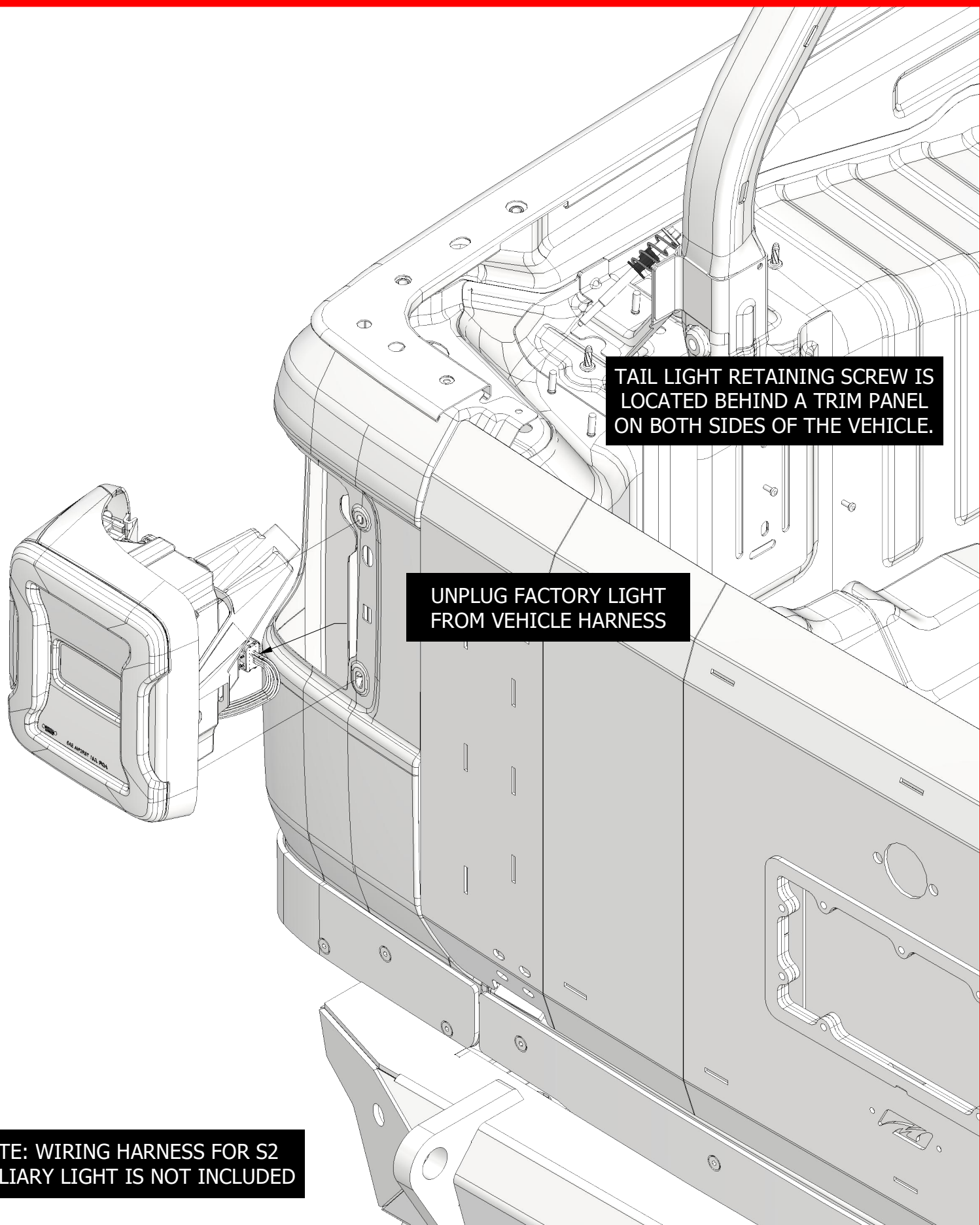
MB8009-05
Qty 2



M4x10mm Screw
Qty 2



M6x25mm Flanged Torx Screw
Qty 4

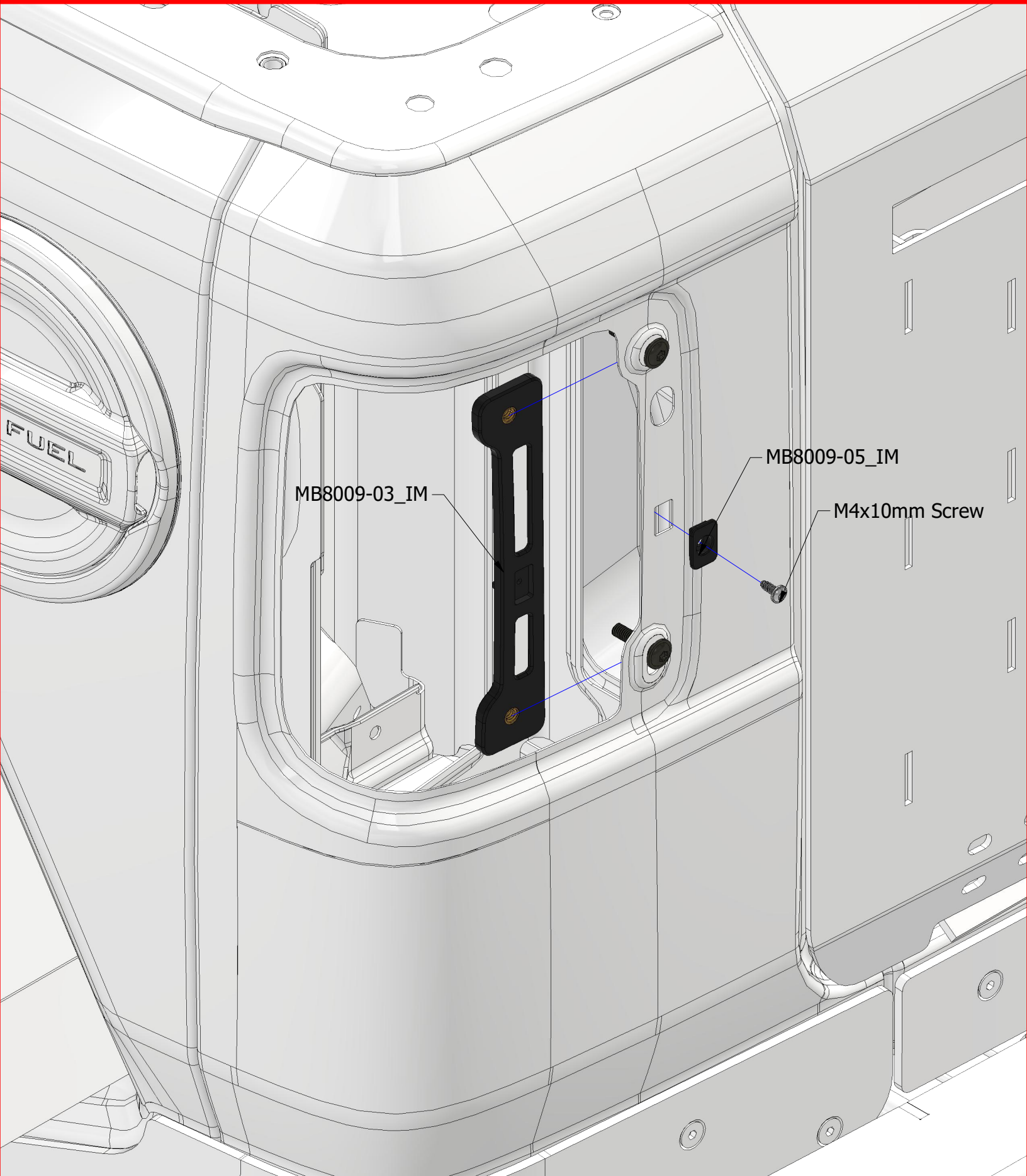
MB8009 - Assembly Instructions Tail Light Bezel Kit for JL/JLU

TAIL LIGHT RETAINING SCREW IS LOCATED BEHIND A TRIM PANEL ON BOTH SIDES OF THE VEHICLE.

UNPLUG FACTORY LIGHT FROM VEHICLE HARNESS

NOTE: WIRING HARNESS FOR S2 AUXILIARY LIGHT IS NOT INCLUDED

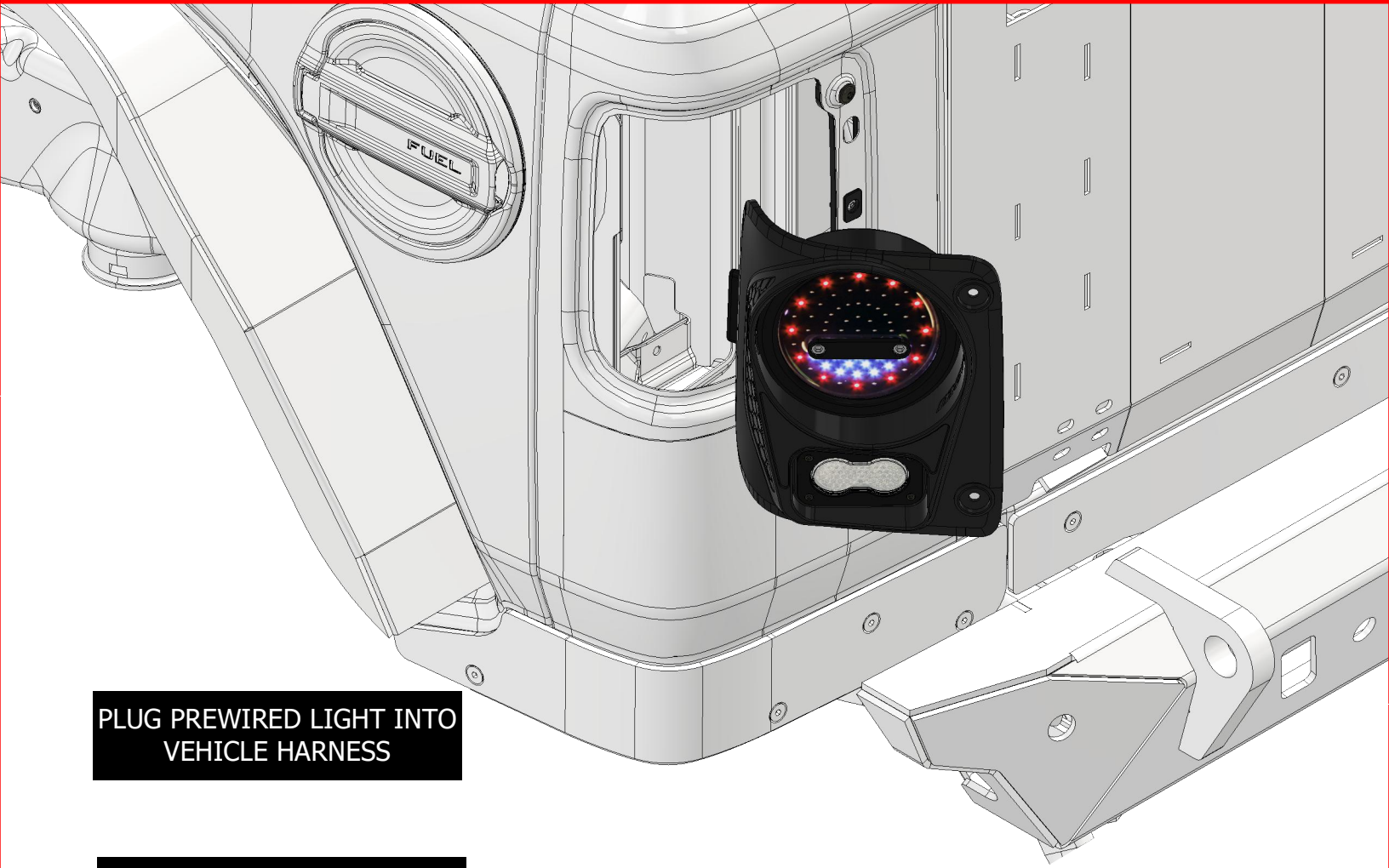
MB8009 - Assembly Instructions Tail Light Bezel Kit for JL/JLU



MB8009-03_IM

MB8009-05_IM

M4x10mm Screw

MB8009 - Assembly Instructions Tail Light Bezel Kit for JL/JLU

**PLUG PREWIRED LIGHT INTO
VEHICLE HARNESS**

**INSERT TAB INTO BODY.
ROTATE BEZEL INTO PLACE.**



MB8009 - Assembly Instructions Tail Light Bezel Kit for JL/JLU

