

PARTS INCLUDED

- 1PC** Mishimoto Intake Tube
- 1PC** Mishimoto Airbox Lid
- 1PC** Mishimoto High-Flow Air Filter
- 1PC** EVAP Adapter
- 1PC** EVAP Hose
- 1PC** Intake Coupler
- 5PC** Worm Gear Clamps
- 1PC** Mounting Hardware Pack

TOOLS NEEDED

- 4mm Allen Key
- 7mm Socket
- 8mm Socket
- 10mm Socket
- 1/4" Drive Ratchet
- 1/4" Drive Extension

INSTALL TIME 1 Hour

INSTALL DIFFICULTY 

DISCLAIMER

- Raise vehicle only on jack stands or on a vehicle lift.
- Allow vehicle to cool completely prior to attempting installation.
- Do not run the engine or drive the vehicle while overheating; serious damage can occur.
- Please dispose of any liquids properly.
- Mishimoto is not responsible for any vehicle damage or personal injury due to installation errors, misuse, or removal of Mishimoto products.
- Mishimoto suggests that a trained professional install all Mishimoto products.

INSTALL PROCEDURE

1. Remove the bolts that secure the intake tube. (2x 10mm bolts)



2. Loosen the clamps on each end of the intake tube, where it connects to the airbox and intake muffler. (2x worm gear clamps)



3. Disconnect the air temp sensor and release the wiring harness. (1x tree-clip)



4. Slide off the intake tube from its connections and lift it out of the vehicle.

CONTINUED ON FOLLOWING PAGE

01

5. Remove the bolt that secures the airbox to the fender. (1x 10mm bolt)



6. Separate the two quick-disconnect fittings from the airbox.



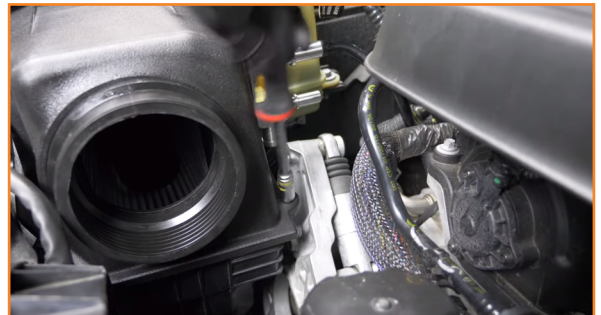
7. Lift the airbox out of the vehicle. Make sure the grommets where the airbox is set remain in the engine bay. They may get stuck to the airbox when you remove it.
8. Attach the provided EVAP adapter to the Mishimoto airbox. (2x 4mm Allen bolts)



9. Insert the filter into the airbox.
10. Transfer the grommets and sensor on the stock intake tube to the Mishimoto one.



11. Separate the lower airbox on the stock unit. (4x 8mm screws)
12. Reinstall the lower airbox. Be sure to engage the pegs at the bottom.
13. Attach the Mishimoto airbox and filter to the lower airbox. (4x 8mm bolts)



14. Reconnect the two quick-disconnects to the airbox.
15. Install the coupler to the intake muffler. (1x worm gear clamp)



CONTINUED ON FOLLOWING PAGE

02

2018+ JEEP WRANGLER JL 2.0L PERFORMANCE INTAKE INSTALLATION GUIDE

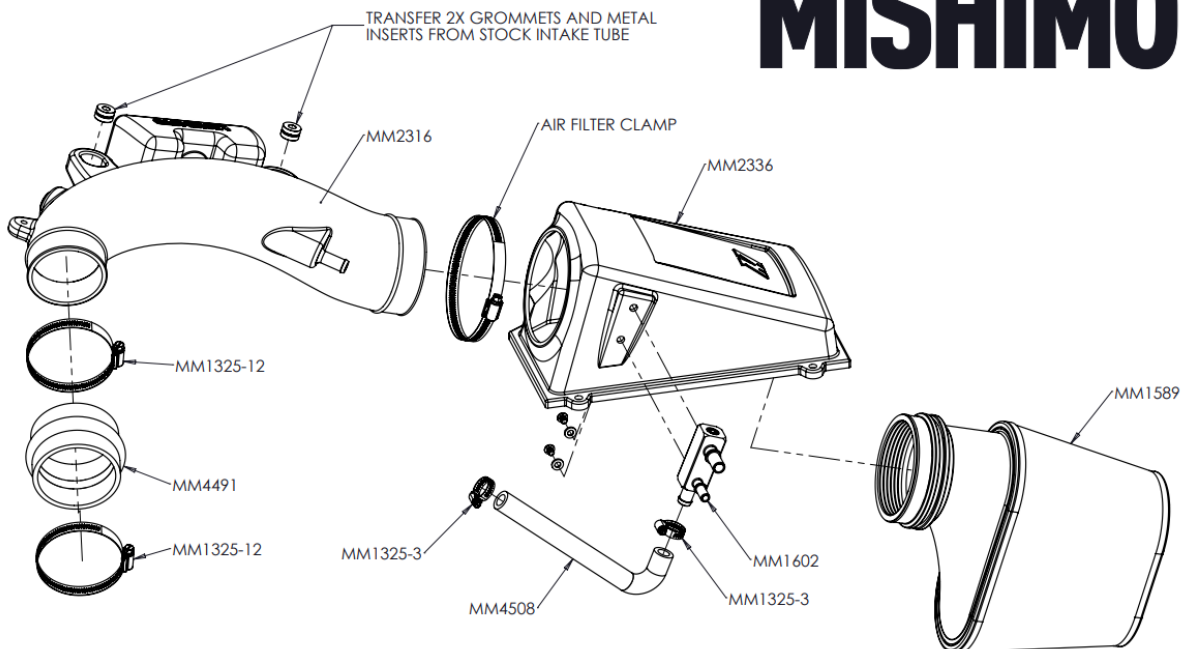


16. Install the Mishimoto intake tube and fasten the airbox to the fender.
(2x worm gear clamps, 3x 10mm bolts)
17. Tighten all the clamps on your tube and coupler connections.
18. Reconnect the air temp sensor and secure the wiring. (1x tree-clip)
19. Install the straight end of the short EVAP hose to the intake tube. Connect the other end of the hose to the attached EVAP adapter.
(2x worm gear clamps)



Congratulations! You have finished installing the Mishimoto 2018+ Jeep Wrangler JL 2.0L Performance Intake.

Below is an exploded view of the installation setup for reference.



MISHIMOTO

03