



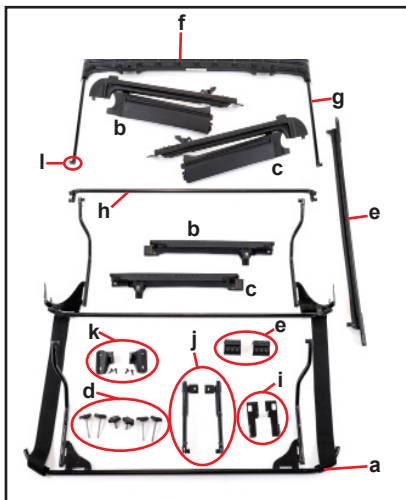
Installation Instructions

Complete Soft Top Kit for 2007-2018 Jeep® 4 Door JK Wrangler

Item #16014XX



Complete hardware system without soft top fabric



Part List:

- a) Rear Bow System- Qty 1
- b) Door Surround Passenger Side- Qty 1
- c) Door Surround Driver Side- Qty 1
- d) Door Surround Knobs- Qty 6
- e) Tailgate Bar with Clips- Qty 1
- f) Front Header- Qty 1
- g) Over Door Bows- Qty 2
- h) Center Bow- Qty 1
- i) Center Bow Mounts- Qty 2
- j) Rear Bow Mounts- Qty 2
- k) Rollbar Mounts- Qty 2
- l) Quick Release knobs- Qty 2
- m) Mounting Bolts M6X20- Qty 4

Required Tools:

- Fabric Top - Qty 1
- Quarter Window, Right - Qty 1
- Quarter Window Left - Qty 1
- Rear Window - Qty 1
- Header Foam pack - Qty 1
- Fabric Spring Guards - Qty 2
- Bow Flaps Screws Qty 8

Required Tools:

- Safety Glasses
- T30 Torx Socket & Driver
- Phillips Head Screwdriver
- 3/32 drill bit and drill

NOTICE

This Complete Soft Top Kit is designed to fit on your 4 Door JKU Wrangler when the hard top or original soft top has been completely removed. Before beginning your installation of this product, carefully remove your hard top or current soft top hardware. During the installation of this product you will encounter several steps that will require two people to properly install the hardware. **NOTE: This top Kit is not designed to fit 2018 JLU Wrangler models. If your Jeep has a push button start (JLU models) this top will not work! If your Jeep has a Key start (JKU models) please proceed.**

WARNING

Loss of vehicle control involves risk of death or serious injury, particularly to parts of your body not restrained within vehicle. This product is intended for weather protection only and should not be relied upon to contain occupants in the event of an accident or to protect from either ground contact or falling objects. To reduce risk of accident or injury:

- ALWAYS WEAR SEATBELTS
- Always keep head, arms & body parts within vehicle.
- Fully secure or stow the soft top before driving according to instructions. Never try to latch or fold soft top while driving. Do not use if damaged or worn.
- Read and follow all instructions & warnings accompanying this product, in your vehicle owner's manual and Off Road Driving Supplement.

CAUTION

RISK OF EYE INJURY. Safety glasses should be worn at all times while installing or maintaining this product.



Important Safety information

Your MasterTop® Complete Soft Top Hardware System is intended to be used with other MasterTop Products to increase the fair weather enjoyment of your off-road capable vehicle. Before installation, please take a moment to review the following safety information and installation instructions. Important safety information is generally preceded by one of three signal words indicating the relative risk of injury. The signal words mean:

WARNING a hazardous situation which, if not avoided, could result in death or serious injury. You **CAN** be **KILLED** or **SERIOUSLY HURT** if you don't follow instructions.

CAUTION a hazardous situation which, if not avoided, could result in minor or moderate injury. You **CAN** be moderately **HURT** and also may suffer property damage if you don't follow instructions.

NOTICE Careful attention is required to this instruction or operation but does generally not relate to personal injury. Damage to your Quadratec® product or other property may result if you don't follow instructions.

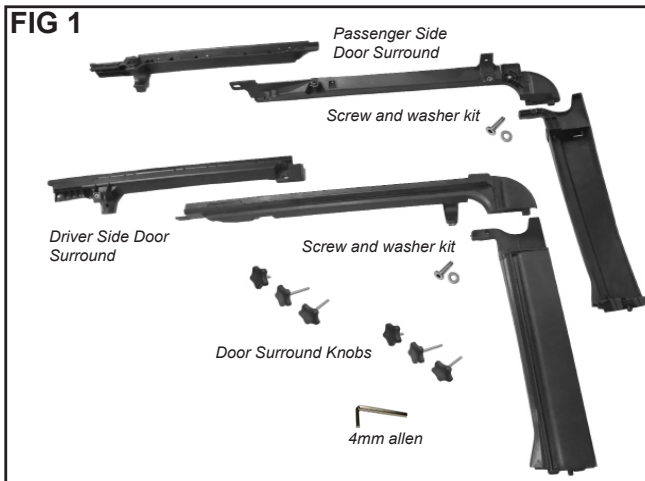
Before you begin Installation:

We are excited that you have chosen the MasterTop Complete Soft top Hardware System. This high quality bow and door surround system is designed to provide a platform for the installation of a fabric soft top. Please note that it is important that you become familiar with the installation process of this top by reading the following instruction sheet and warnings **thoroughly**.

When unpacking, carefully check to make sure all parts are included. If any part is missing or broken, please call MasterTop customer service at 720-575-5440

Soft Top Hardware Installation

Un-packing and Organizing the Door Surrounds

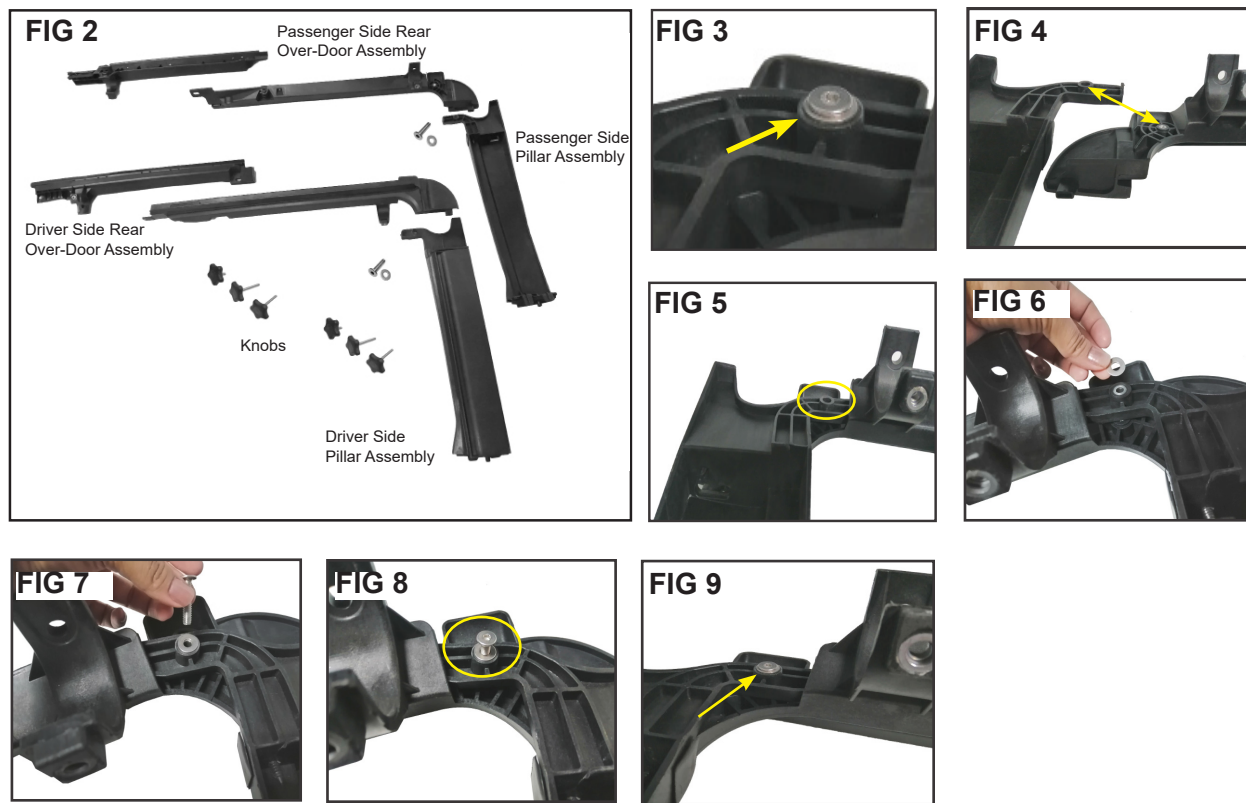


Put on safety glasses. Carefully remove all the contents of the large shipping box onto a table top or onto the ground on top of a soft towel.

Once the components are removed from the shipping box, carefully organize the contents of each box as shown in Fig.1 making sure the passenger side and driver's side components are separated.



Section 1: Door Surround Assembly



Step 1: Rear Door Surround Assembly

Locate the driver's side rear over door assembly and the driver's side Pillar assembly shown in FIG2

In the Driver's side Rear over door assembly, there is a screw and washer installed for shipping (Fig 3). Remove this screw and washer using the included 4mm Allen head tool and set aside (Do not lose this screw/washer). Line up the Driver's side Rear over door assembly and the driver's side Pillar assembly as shown in Fig 4 & 5 making sure the holes line up. Place the washer over the top of the hole as shown in Fig 6 and insert the screw (Fig's 7 & 8). Tighten this screw securing the two pieces (Fig 9).

Repeat the above assembly on the Passenger side Rear over door and pillar assemblies.



Section 1: Door Surround Assembly

**Step 2: Intall Rear Door Surround to Jeep**

Locate the assembled Driver's side rear door surround (Fig10). On the bottom of the vertical pillar portion of the assembled door surround is a pin that will be inserted into the body tub as shown in FIG11.

Insert this pin into the body tub as shown in FIGs 12 & 13. After inserting the pin, locate the upper portion of the door surround "C" attachment and push onto roll bar (FIGs 14 & 15). The "C" should fit in the cutout of the roll bar pad. Line up the threads in the "C" with the top hole in the roll bar.

Repeat this procedure on passenger side door surround.



Section 1: Door Surround Assembly



Step 3: Install Front Door Surrounds to Jeep

Locate the driver's side front door surround on where you will find a installed foam and line up the rear end with the front of the rear door surround as shown in FIG16. Make sure the Door seals are not caught under the door surrounds. (See FIG17)

Push the seal between the front and rear door surround together and then, as you did with the rear door surround, push the "C" channel onto the roll bar between the padding and line up the hole in the "C" with vertical holes in the roll bar (FIGs 18 & 19).

Repeat this procedure on passenger side door surround.



Step 4: Secure Front & Rear Door Surrounds to Roll Bar

Locate the two sets of screw knobs in each Door surround box. There should be (2) sets of three knobs eith two the same length. The shorter knob attaches to the center hole on the door surround an the (2) longer knobs go on the front and rear holes.

Line up the door surround "C" attachment holes with the vertical holes in the roll bar. Slip the front knob through the hole in the front door surround (FIG20). Tighten the knob securing the front door surround. Repeat this procedure on the back of the door surround. Finally, with the short knob secure the "sandwiched" front & rear door surrounds with the short knob and tighten all three knobs (FIGs 21 & 22). All knobs on both sides of the vehicle should be secured to the roll bar. **This completes the installation of the door surrounds to your vehicle.**



Section 2: Installation of The Soft Top Bow Assemblies

CAUTION

The following steps will require the help of another person. The bow assembly is pre-assembled and quite large. To prevent damage to your vehicle and to ensure your safety, you must have two people to install your bow assembly to your vehicle.

Step 5: Installing the Center Bow Mount Brackets and Center Bow

FIG 24



FIG 25



FIG 26



FIG 27



Rectangle cut-out goes over oval mount

FIG 28

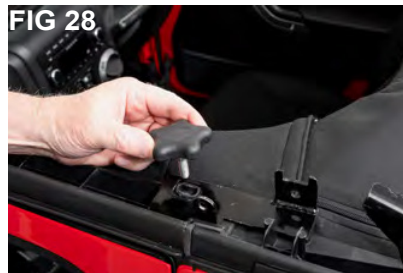


FIG 29



FIG 30



Locate the center bow and two center bow mount brackets as called out in FIG 24. The center bow mount brackets will be installed using the door surround knobs previously installed in step 4. As circled in Fig 25, the oval mount is located towards the rear of the vehicle. Take the drivers side center bow mount bracket and place the rectangle cutout over the oval mount as shown in Fig 26. Note the location of the bracket when properly placed in Fig 27. Locate the short Door Surround knob and install the knob through the oval opening into the "C" channel on the door surround. Note that you will have to press down hard to get the knob to engage (Figs 28 & 29). Tighten the knob leaving it loose so the bracket can slightly shift (Fig 30). Repeat on the other side of the vehicle



Installation Instructions 7

FIG 31



FIG 32



FIG 33



With the center bow mount brackets loosely installed, locate the center bow and (with the help of a friend) place the Quick release end on the bottom of the bow leg on the rear-most vertical bracket (Fig 31). Pull the quick release knob out and push the bow down mounting the quick release to the bracket (Fig 32). The quick release knob is spring loaded so you should here a "click" when it is secure in the bracket (Fig 33). Repeat this bow mounting on the other side of the vehicle and then tighten down the door surround knobs on each side of the vehicle.

Step 6: Mounting the Rear Bow Mount Brackets to the Door Surrounds

FIG 34



FIG 35



FIG 36



FIG 37



FIG 38

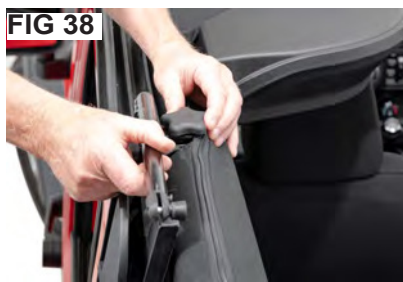


FIG 39



FIG 40



Locate the two rear bow mount brackets as circled in Fig 34. On the rear door surround, remove the rear-most door surround knob loosely installed to hold the door surround on the vehicle (Figs 35 & 36). Locate the proper rear bow mount bracket with the flat steel tab facing down and place the bracket over the door surround hole with the quick release knob facing the rear of the vehicle (Fig 37). Notice that the quick release knob is facing inwards (Fig 38). Install the bracket using the door surround knob to secure it to the "C" Channel in the door surround (Figs 37, 38, 39 & 40). Repeat on the other side of the vehicle



Step 7: Mounting the Roll Bar Mounting Brackets to the Door Surrounds

FIG 41



FIG 42



FIG 43

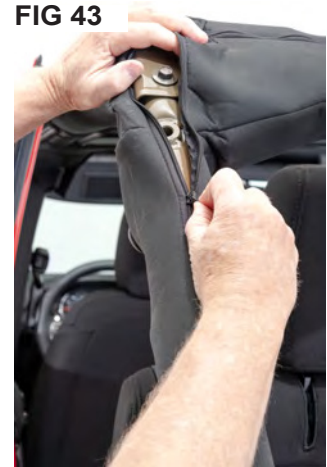


FIG 44



FIG 45



FIG 46



FIG 47



FIG 48



FIG 49



Locate the two Roll Bar Mount Brackets circled in Fig 41. These brackets will be installed on the inside of the rear roll bar under the roll bar padding. When installed, the long "leg" of the bracket will be on the top and the bracket will be on the inside of the roll bar as shown in Fig 42. On the rear roll bar, un-hook the roll bar padding Velcro at the top of the roll bar and unzip the padding (Fig 43) which will expose the two factory mounting points on the inside of the roll bar. Place the roll bar mounting bracket over the holes and using the enclosed mounting bolts (T-30 Torx bolts) hand tighten the bracket in place (Figs 44 & 45). Using a T-30 Socket and driver, tighten the two bolts securing the bracket to the roll bar (Fig 46). Replace the roll bar padding back over the bracket slipping the "leg" of the bracket through the factory cutout in the padding (Fig 47). Zip up the roll bar padding (Figs 48 & 49). Repeat on the other side of the vehicle.

CAUTION

The following steps will require the help of another person. The rear bow assembly is pre-assembled and quite large. To prevent damage to your vehicle and to ensure your safety, you must have two people to install your bow assembly to your vehicle.



Step 8: Mounting the Rear Bow Assembly to the Vehicle

FIG 50



FIG 51



FIG 52



FIG 53



FIG 54



FIG 55



FIG 56



FIG 57



Locate the large bow assembly shown in Fig 50. With the help of a friend, place the bow assembly in the rear of the vehicle and lift up the upper bow section. The upper bow section has two large bent brackets on the ends as circled in Fig 51. Line up the quick release bow ends on the upper bow with the Top hole in the bow mount bracket (Fig 52) and attach the top bows to the bracket by pulling out the quick release knob and placing the slot of the quick release over the bow mount (Fig 53) until you hear a "click". Repeat on other side bow mount. **Pro installer Tip:** to make the mounting of the Quick Release knob easier, lift the bow end up perpendicular to the mount so it comes straight into the end of the mount vs. from the bottom or top. Fig 54 shows the correct angle to attach the quick release. Once the top bow is mounted, locate the rear bow mounts and install them as you did the top bow to the lower hole location on the roll bar mount (figs 55, 56 & 57) repeat on the other side of the vehicle.



FIG 58



FIG 59



FIG 60



FIG 61



FIG 62



Once the bows are mounted to the roll bar mounts, lift the bow assembly up rotating it towards the top of the vehicle (Fig 58). You will be attaching the top front bow to the rear door surround bow mount bracket you previously installed (Fig 59). Line the top bow tab to the bow mount quick release bracket and install the top bow to the mount by pulling the quick release knob out and you hear a “click” (Figs 60,61 & 62). The rear bow system is now installed.

Step 9: Mounting the Rear Bow Assembly to the Vehicle

FIG 63



FIG 64



FIG 65



FIG 66



FIG 67



FIG 68



FIG 69



FIG 70



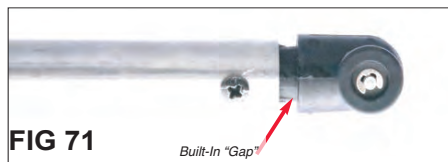
Locate the front header assembly and two quick release knobs found in the hardware pack (Fig 63). These quick release knobs will be installed on the end of the over door bows assembly with the knob portion facing in. Remove the set screw mounted in the ends of each bow and set aside. Slip the Quick Release knob over the front Windshield mount previously installed on the vehicle as shown in Fig 64 with the Knob facing in. Repeat on the other side of the vehicle. With the help of a friend, slide the ends of the over door bows over the driver and passenger side knob ends. Leaving a 1/4" gap between the knob collar and the bow end (Fig 65), mount the quick release assembly to the bow end using a screw driver and the set screw recently removed from the bow (Figs 66 & 67). Repeat this procedure on the other bow mount end leaving that 1/4" gap shown in Fig 65.

Using the Quick Release Knobs

Attaching and detaching the Quick Release Knobs is easy. Notice in Fig 68 that the end of each over door bow comes straight down into the bracket. This is important as it will make installation much easier. To install, once lined up with the bow mount bracket, pull out the quick release knob and push over the mount until you hear a “click” (Figs 69 & 70). NOTE: See Variation Adjustments for the quick release knobs on next page.

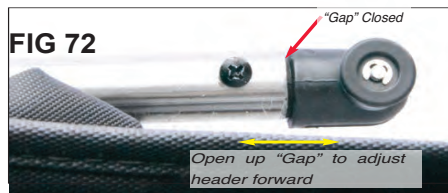


Important Variation Adjustments on the Front Header Quick Release Knobs:



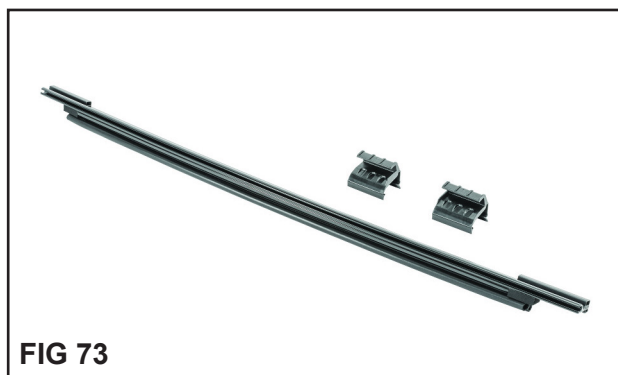
The header to the front bow mount bracket distance will vary from side to side, vehicle to vehicle and even change over time. We have built in an adjustment to help compensate if this vehicle variance causes you trouble.

Each side arm had the quick release knuckle installed with a small 1/4" gap as called out in FIG 71.



If you fold down your header to the windshield and the front "triangular knobs" on the underside of the header hits the rubber windshield seal causing the front of the header to lift up, simply close the quick release gap called out in FIG 72 by removing the set screw, push the quick release knob to close the gap and re-set the screw into the quick release knob.

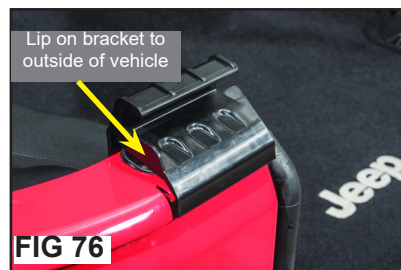
Alternatively, If it is extremely difficult to get the front latches hooked because the header is too far rearward, you can remove the set screw and move the quick release knob back another 1/4" relative to the side tube bracket (Fig 71). This may need to be done on either one or both sides.



Step 11: Attaching the Tailgate Brackets and Tailgate Bar

Locate the Tailgate bar and brackets (FIG 73). Locate the driver's side bracket with the lip to the outside of the vehicle, line up the bracket with the slot in the body tub, hook the rear portion of the bracket to the body tub and roll the bracket forward until it click

See FIGs 74, 75 & 76. Repeat this procedure on the passenger side. See the Soft top or Soft accessory instruction sheet for the proper installation of the tailgate bar into these brackets.



Using Your Soft Top Hardware

FIG 77



Fold Back Feature Use:

Your Soft top hardware has both a front fold back feature, (FIG 77) and the ability to be folded all the way back to the rear of the vehicle (FIG 78).

Folding Back the Front Section

Unlatch the two front Windshield latches. With the help of a friend, lift up the Front header and fold it back until it seats on the top of your soft top.

Folding Back the Rear Bows

To fold back your rear bows, remove the rear and quarter windows from your soft top. Unlatch the quick release knobs (both sides) found on the top of the roll bar (Fig 79 & 80). Once un-latched, the rear bow assembly should fold back just inside the rear tailgate area (FIG's 81 & 82).

FIG 78



FIG 79



FIG 80



FIG 81



FIG 82



CAUTION

When Folding back your Soft Top Hardware always make sure it is secured to the vehicle and that the quick release knobs are secure. Failure to do so may result in damage to your vehicle, hardware system, soft top and your person.





Limited 3 Year Warranty

Your MasterTop® accessory is covered by the following Limited Warranty provided exclusively by MasterTop, Inc., 420 J Corporate Circle, Golden, CO 80401.

This Limited Warranty is the only warranty made in connection with your purchase. MasterTop neither assumes nor authorizes any vendor, retailer or other person or entity to assume for it any other obligation or liability in connection with this product or Limited Warranty. This Limited Warranty does not apply and is not cumulative to any accessory or part distributed by any MasterTop distributor for which the Manufacturer provides a separate written warranty.

What is Covered: Subject to the terms, exclusions and limitations herein and with respect only to MasterTop branded accessories first sold in the United States, MasterTop warrants to the initial retail purchaser only that your MasterTop accessory shall be free of defects in material and workmanship; **for a period of 3 years from date of initial retail sale.**

All other warranties are hereby disclaimed, except to the extent prohibited by applicable law in which case any implied warranty of merchantability or fitness for a particular purpose on this product is **limited to 3 years from date of initial retail sale.** MasterTop reserves the rights to: (a.) require invoice or other proof your product is within the terms of this Limited Warranty as a condition of warranty service and, (b.) make future revisions to this product and Limited Warranty without prior notice or obligation to upgrade your product.

What is Not Covered: Your MasterTop Limited Warranty does not cover products or parts MasterTop determines to have been damaged by or subjected to: (a.) installation damage, alteration, modification, failure to maintain or attempted repair or service by anyone not authorized by MasterTop, (b.) normal wear and tear, cosmetic damage or damage from water immersion, (c.) Acts of God, accidents, misuse, negligence, inadequate mounting or impact with vehicle(s), obstacles or other aspects of the environment, (d.) theft, vandalism or other intentional damage, (e.) fleet, rental or commercial use, (f.) use in competition or racing.

Remedy Limited to Repair/Replacement: The exclusive remedy provided hereunder shall, upon MasterTop inspection and at MasterTop's option, be either repair or replacement of product or parts (new or refurbished) covered under this Limited Warranty. Customers requesting warranty consideration on MasterTop Products should first contact MasterTop to obtain a RGA number (720-575-5440). All labor, removal, shipping and installation costs are customer's responsibility.

Other Limitations - Exclusion of Damages

- Your Rights Under State Law:

In consideration of the purchase price paid, neither MasterTop nor any independent MasterTop distributor /licensee are responsible for any time loss, rental costs, or for any incidental, consequential, punitive or other damages you may have or incur in connection with any part or product purchased. Your exclusive remedy hereunder for covered parts is repair/replacement as described above.

This Limited Warranty gives you specific rights. You may also have other rights that vary from state to state. For example, some states do not allow limitations of how long an implied warranty lasts and/or do not allow the exclusion or limitation of incidental or consequential damages, so the limitations and exclusions herein may not apply to you.

© MasterTop, Inc. 2021. All Rights Reserved. The terms MasterTop® and MasterTwill® are Registered Trademarks of MasterTop Incorporated, Registered in U.S. Patent and Trademark Office.

www.MasterTop.com

Part # 941041.01 Version 7.20.23 LTR

