



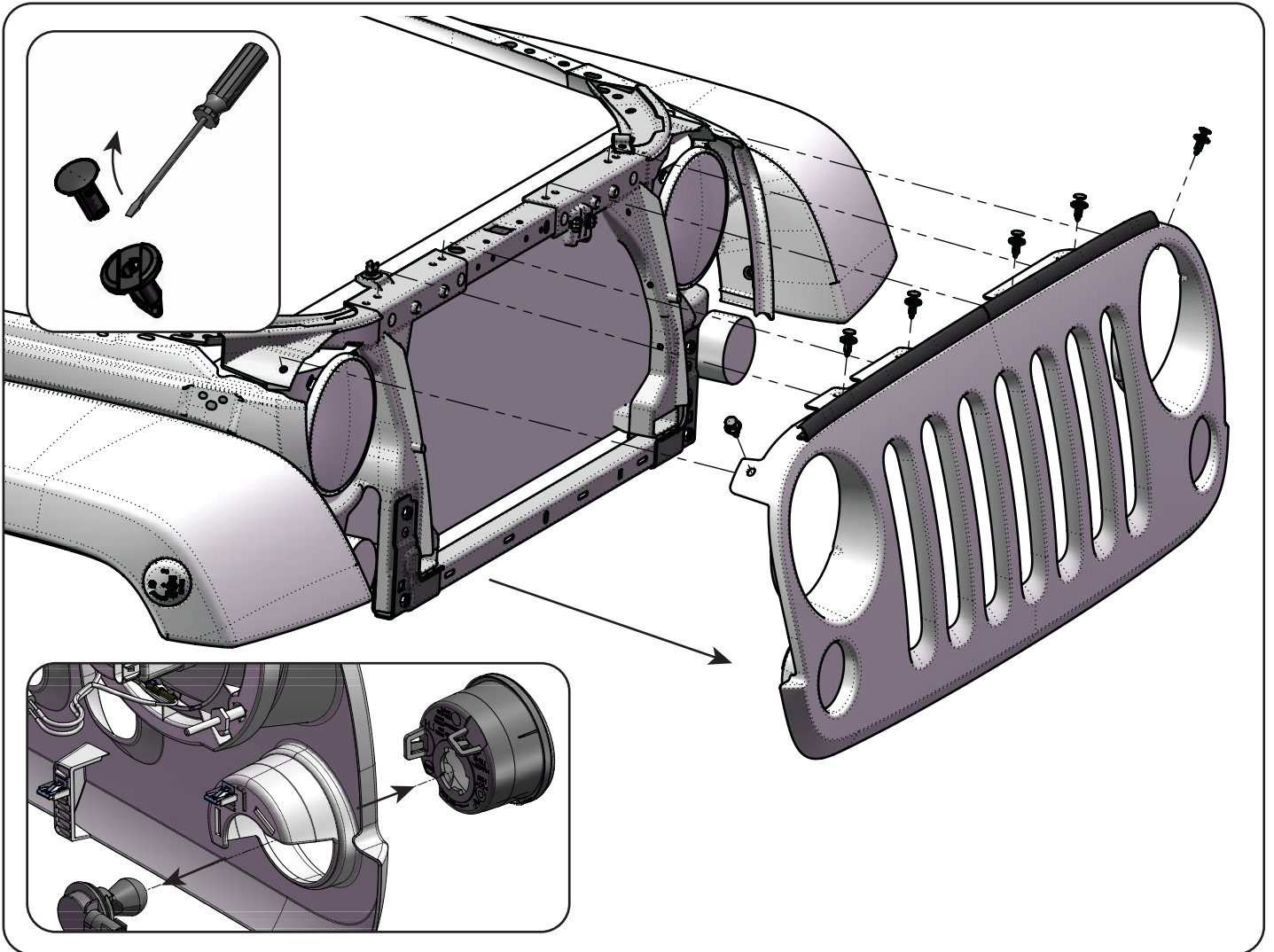
NIGHTHAWK

JEEP GRILL

Installation Guide

JEEP JK 2DR/4DR 2007-Current

Note: Not designed to work with after market hood locks.



1. Using a straight blade screw driver, remove the fasteners from the top of the Jeep grill.
2. Starting at one side or the other, pull the bottom of the grill loose from the core support. Note there are six(6) spring loaded clips on the back side of the grill, look at the new grill for reference.
3. Remove the park light bulb from the park light housing, remove the park light housing from the grill.

UnderCover, Inc.

June, 2017

Part Number - NH1002_Install

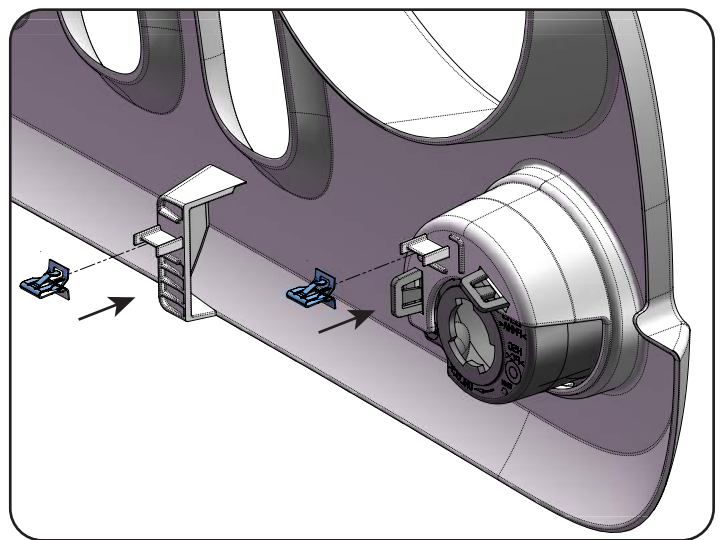
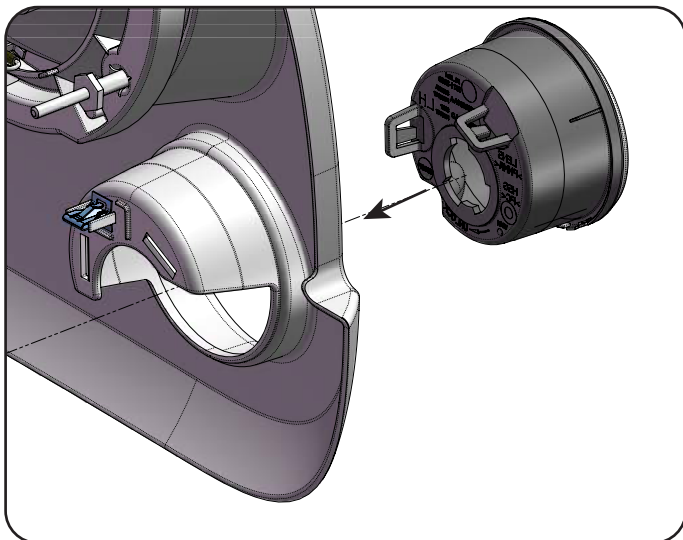
www.undercoverinfo.com

© 2017 UnderCover, Inc.
All rights reserved.

a **TRUCK HERO**
company

Installation Guide - Continued

4. Install park lamp housing into the new grill.
5. Push the supplied metal clips onto the 6 tabs on the back of the new grill.
6. Set the grill into place, plug the park lamp bulbs back into the park lamp housing, push the bottom of the grill into the slots, install supplied push tabs across the top.



7. Install seal across top of grill as shown below, peel back portion of red face tape backer, peel and stick seal.



TERMS OF THIS WARRANTY. This warranty applies only to the original purchaser, only when purchased from an authorized UnderCover dealer and is non-transferable. Your original sales receipt will serve as proof of purchase for this warranty. This warranty only applies to the original vehicle or original installation. Before credit can be issued on a warranty claim, proof of defect may be required in the form of pictures. This will be determined at the time of claim.

NIGHTHAWK LIFETIME MATERIAL WARRANTY – UnderCover, Inc. warrants the material of your light brow to be structurally free from defects in material and workmanship for the life of the product.

NIGHTHAWK LIFETIME PAINT WARRANTY - UnderCover, Inc. warrants, for life of the product, that the exterior paint will not abnormally fade or peel, due to material or workmanship defect, faster than the original vehicle it was installed on. Products not painted at the UnderCover factory are excluded from this warranty. UnderCover does not guarantee a 100% paint match, due to variables from one vehicles paint to another, some variance is to be expected.

EXCLUSIONS OF THIS WARRANTY. Not covered under this warranty is failure due to neglect, improper installation including any modifications to the product, use in competitive racing, alterations, addition of equipment, abuse, accident, weather related damage, exposure to chemicals that are not labelled "safe for plastics", and normal wear and tear from lack of maintenance. Products not painted at the UnderCover factory are excluded from the lifetime paint warranty.

REPAIR AND REPLACEMENT. In the event that your light brow is found to be defective under the terms of this warranty, it is at the discretion of UnderCover, Inc. to repair or replace the defective part. All repairs must be made by an authorized UnderCover dealer or under direction of UnderCover, Inc. In the case of either event, UnderCover, Inc. is not responsible for any transportation costs associated with the warranted claim.

MAINTENANCE & CARE. The light brow requires only periodic cleaning with mild car wash soap. Avoid use of abrasive type cleaners as they may dull the finish. Use only cleaners and waxes that are safe for use on clear coat paint finishes.

UnderCover, Inc.
P.O. Box 620
Rogersville, MO 65742
(417) 753-8000
(866) 900-8800

www.undercoverinfo.com
sales@undercoverinfo.com

© 2017 UnderCover, Inc.
All rights reserved.