

# OCULUS

## WHAT YOU NEED TO KNOW:

### 1) WATCH THE DIY INSTALLATION VIDEO GUIDE:



WATCH  
THE  
VIDEO



[www.vimeo.com/343654460](http://www.vimeo.com/343654460)



### 2) WIRING OPTIONS:

For best overall control of the Oculus DRL Halo lights- connect the power lead wire to a switch (if you have an existing switch bank, S-Pod, etc). This will allow you to control the LEDs and leave the lights on when your Jeeps is parked. If you do not have a switch and would rather the lights turn on and off automatically use the included Add-A-Circuit to easily and safely tap power from the fuse panel. We recommend to use fuse location F52 (Cigarette Lighter) position.

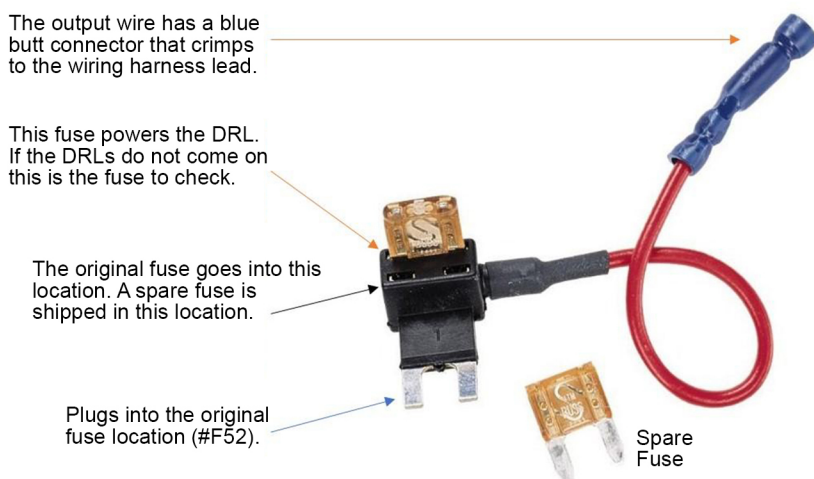
#### ADD-A-CIRCUIT INFORMATION

The output wire has a blue butt connector that crimps to the wiring harness lead.

This fuse powers the DRL. If the DRLs do not come on this is the fuse to check.

The original fuse goes into this location. A spare fuse is shipped in this location.

Plugs into the original fuse location (#F52).



### 3) USE THE ORACLE FAQ PAGE:

Visit [www.oraclelights.com/oculus](http://www.oraclelights.com/oculus) for information and videos on common questions and tips & tricks for using your lights. All Oculus Bi-LED Headlights come from the factory with a baseline headlight level but depending on your lift, tires, etc you may need to adjust the beam level to insure maximum light on road for best visibility while creating minimal glare. To adjust remove the adjusting screw can and use the included tool to level the beam. [Visit our FAQ page for more details.](#)

