



1-800-779-2102

Mon – Thurs: 8:00am - 5:00pm | Friday: 8:00am - 4:00pm CST

**INSPECT YOUR PRODUCT FOR DAMAGE & MISSING
PARTS BEFORE PROCEEDING TO INSTALLATION**

PROCEDURE FOR RETURNS OR MISSING HARDWARE

-PLEASE CONTACT THE ORIGINAL POINT OF PURCHASE FOR:
SHIPPING DAMAGE, RETURNS, OR WARRANTY CLAIMS

-CONTACT DEE ZEE DIRECTLY FOR MISSING PARTS OR HARDWARE

WWW.DEEZEE.COM

REGISTER YOUR PRODUCT ONLINE: www.deezee.com/registration

VIEW INSTRUCTIONS ONLINE: www.deezee.com/instructions

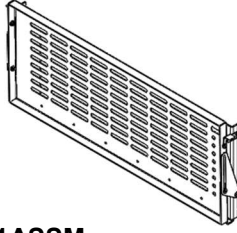
⚠ WARNING: Cancer and Reproductive Harm
www.P65Warnings.ca.gov

Operating, servicing, and maintaining a passenger vehicle can expose you to chemicals such as lead, phthalates, engine exhaust, and carbon monoxide that are known to the State of California cause cancer and birth defects or other reproductive harm. To minimize exposure, service your vehicle and its accessories in a well-vented area and wear gloves or wash your hands frequently.

JL Rear Door Workbench Installation Instructions

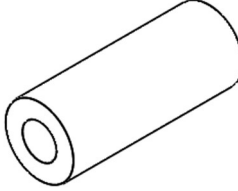
DZ 4469JL Jeep Wrangler JL 2019-Current

A Rear Door Workbench



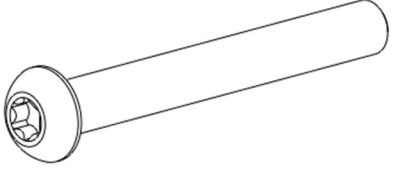
JLWB001ASSM X1

B 1 1/4" Spacer



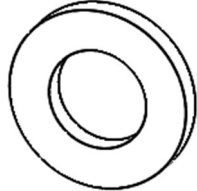
PN 1324 X2

C M6 X 50mm Button Head Bolt



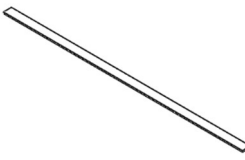
PN 1284 X2

D M6 Washer



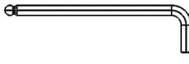
PN 645B X2

E 3M Double Sided Tape



TAPE-25 X1

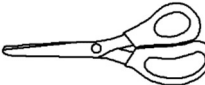
Required tools



Allen Wrench
4mm



Drill
1/2"



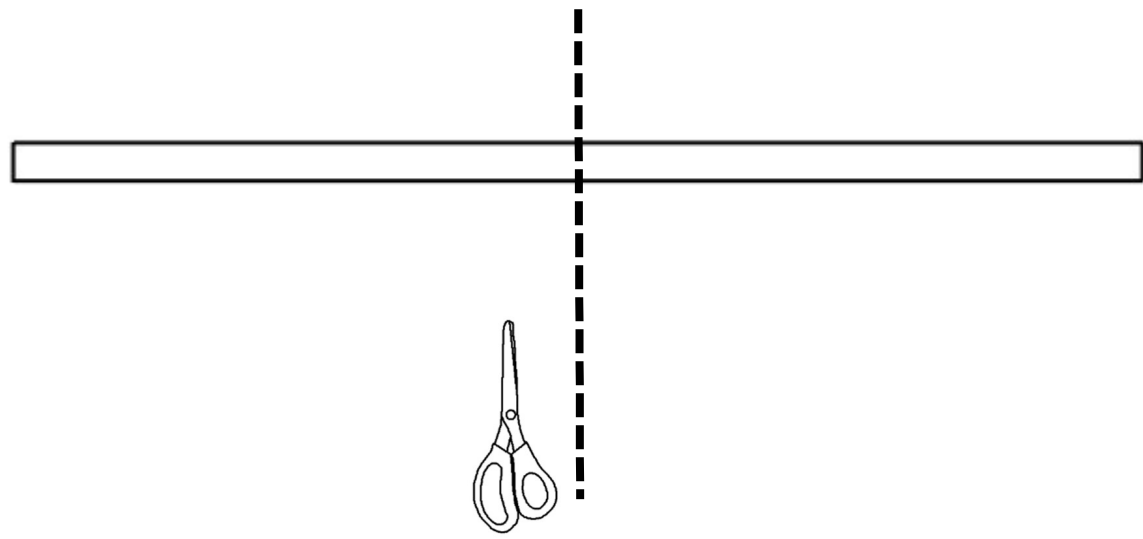
Scissors



Straight Blade
Screwdriver

1

First cut the piece of double sided tape (E) in half making 2 pieces total



2

Remove top cover on rear door by prying it off using a screwdriver.

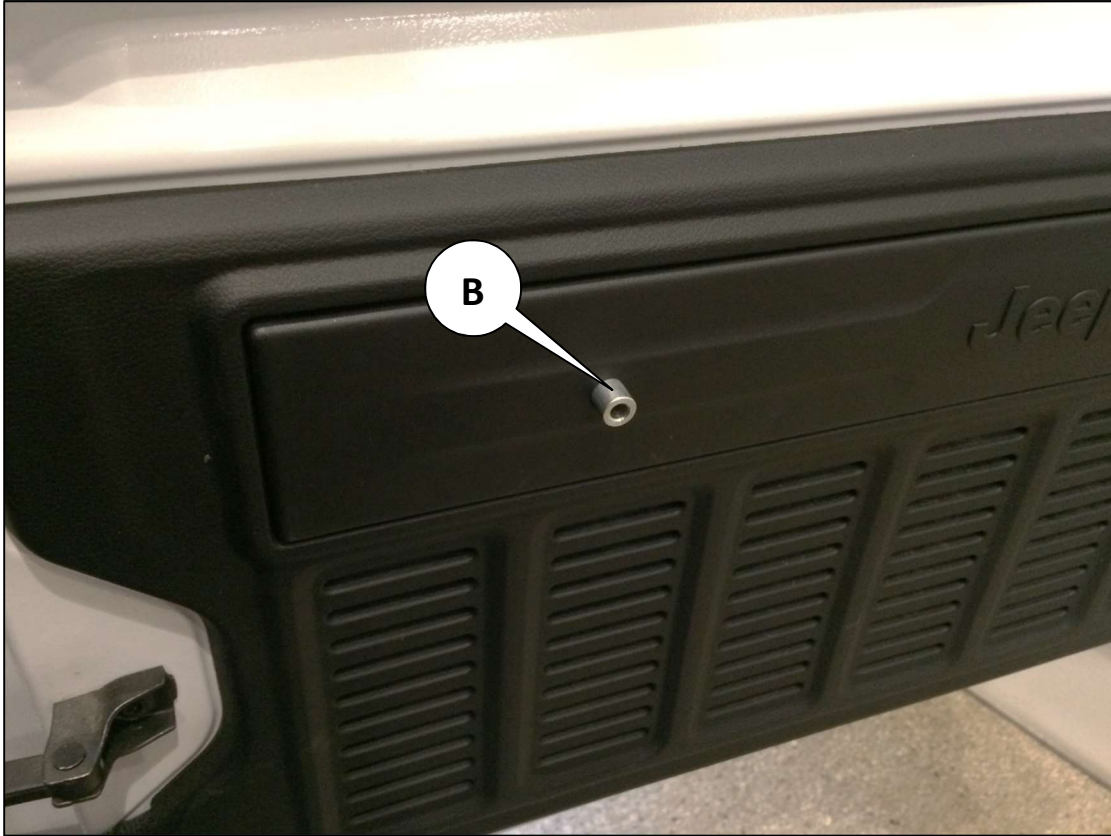


3

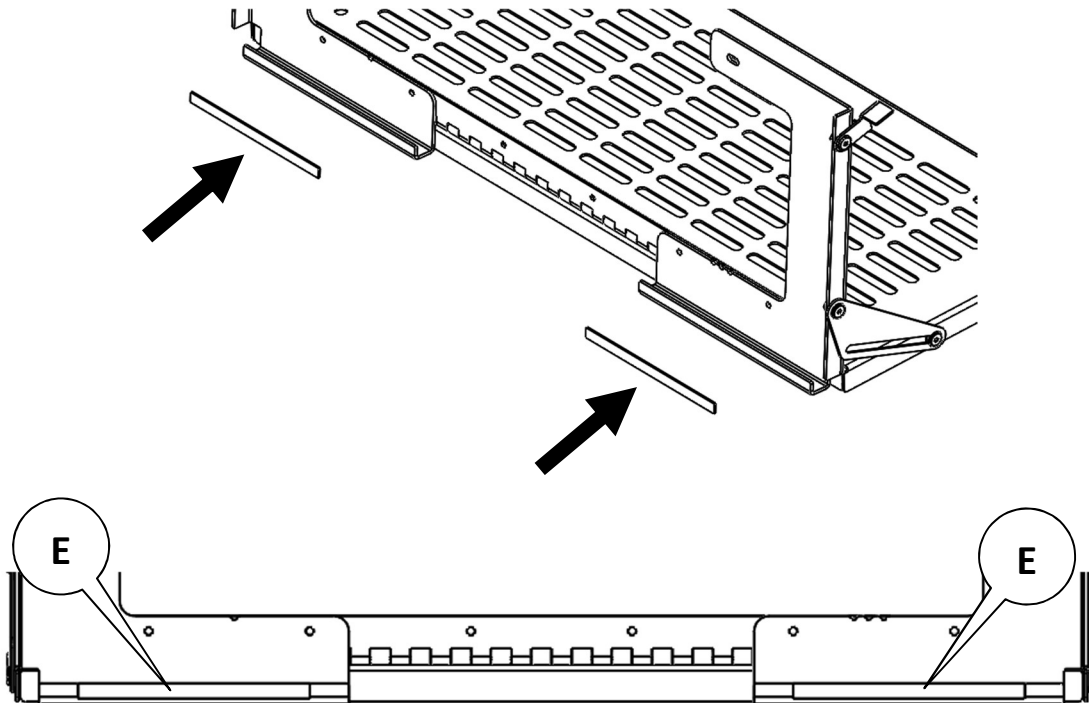
Use 1/2" drill bit to drill holes using guides in the locations shown below.



- 4** Reinstall plastic to cover and install spacers (B) into the holes drilled from the previous step.



- 5** Place tape from step 1 onto the lower area on the rear of the brackets as shown.



6

Peel back one corner of the double sided tape towards the bottom side of the workbench. Then install workbench using bolts (C) and washers (D) through the spacers installed previously. Fully tighten hardware at this time. Peel off the rest of the double sided tape cover and press against the rear door. Tighten or loosen any hardware to desired tension of hinge and latches.

