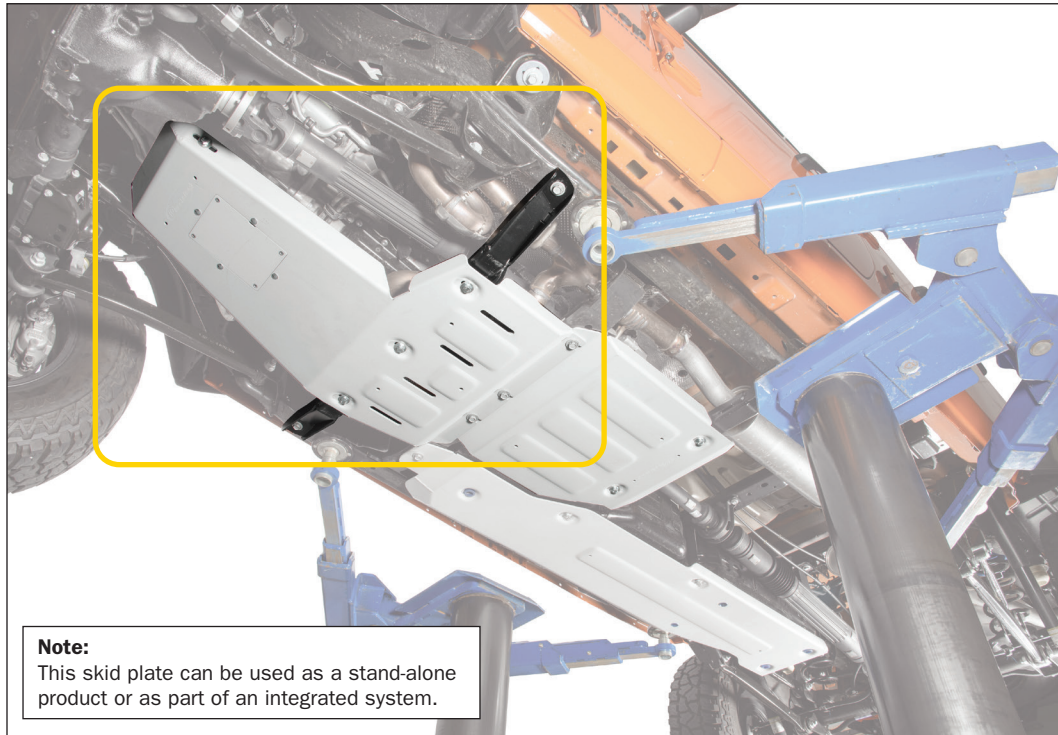


# Quadratec® Aluminum Engine Bay Skid Plate

Installation Manual: for Gladiator (JT)

#12500.0203



## **⚠ WARNING ⚠**

**TO REDUCE RISK OF SERIOUS INJURY OR PROPERTY DAMAGE: READ ALL SAFETY MESSAGES AND UNDERSTAND ALL INSTRUCTIONS AND PROCEDURE NOTICES BEFORE ATTEMPTING TO INSTALL OR USE THIS PRODUCT.**

## **⚠ CAUTION ⚠**

**RISK OF EYE INJURY! SAFETY GLASSES MUST BE WORN AT ALL TIMES WHILE INSTALLING OR MAINTAINING THIS PRODUCT. TORQUE AND RECHECK FASTENERS AFTER 250 MILES AND FREQUENTLY THEREAFTER. DO NOT USE IF DAMAGED.**

## **NOTICE**

**AN AUXILIARY SKID PLATE ADDS EXTRA PROTECTION ON THE TRAIL, BUT IT CAN NOT GUARANTEE AGAINST ALL POSSIBLE DAMAGE FROM LARGE OBJECTS YOU MAY ENCOUNTER. ALWAYS DRIVE WITH RESPECT FOR OBJECTS AND TERRAIN THAT COULD DAMAGE SENSITIVE PARTS OF THE VEHICLE.**

**Quadratec®**  
The Jeep® Experts

**A Few Words About Product Safety:**  
Your Quadratec Jeep protection product is intended to enhance the utility and enjoyment of your off road capable vehicle. Following safety information and installation recommendations.

Throughout these instructions important safety information is generally preceded by one of three signal words indicating the relative risk of injury, property damage or adverse consequence. The signal words mean:

**⚠ WARNING ⚠**

A hazardous situation which, if not avoided, could result in death or serious injury. You CAN be KILLED or SERIOUSLY HURT if you don't follow instructions.

**⚠ CAUTION ⚠**

A hazardous situation which, if not avoided, could result in minor or moderate injury. You CAN be moderately HURT and also may suffer property damage if you don't follow instructions.

**NOTICE**

Careful attention is required to this instruction or operation but does generally not relate to personal injury. Damage to your Quadratec® product or other property may result if you don't follow instructions.

**Before You Begin Installation:**

Congratulations on your purchase of Quadratec® Skid Plate for your Jeep® Wrangler. This custom fit skid plate has been designed for protection, long life, and great looks. When unpacking, check to make sure all parts are included and not damaged due to shipping.

If any part is missing or broken, please call Customer Service at 800-745-6037 as soon as possible. Thank you again for your purchase and let's start the installation process.

**⚠ CAUTION ⚠**

READ ALL SAFETY MESSAGES AND ALWAYS WEAR SAFETY GLASSES WHEN WORKING WITH TOOLS.

**NOTICE**

THIS PRODUCT IS INSTALLED UNDERNEATH THE VEHICLE AND REQUIRES ACCESS TO THE UNDERSIDE. WE RECOMMEND USING A VEHICLE LIFT SUCH AS THOSE FOUND IN MOST REPAIR SHOPS TO ACCESS THIS PART OF THE VEHICLE. ALWAYS USE CAUTION WHEN WORKING UNDER YOUR VEHICLE.

WE ALSO RECOMMEND THAT YOU HAVE A HELPER NEARBY AS SOME OF THE STEPS OUTLINED BELOW WILL BE MUCH EASIER WITH THE HELP OF ANOTHER SET OF HANDS.

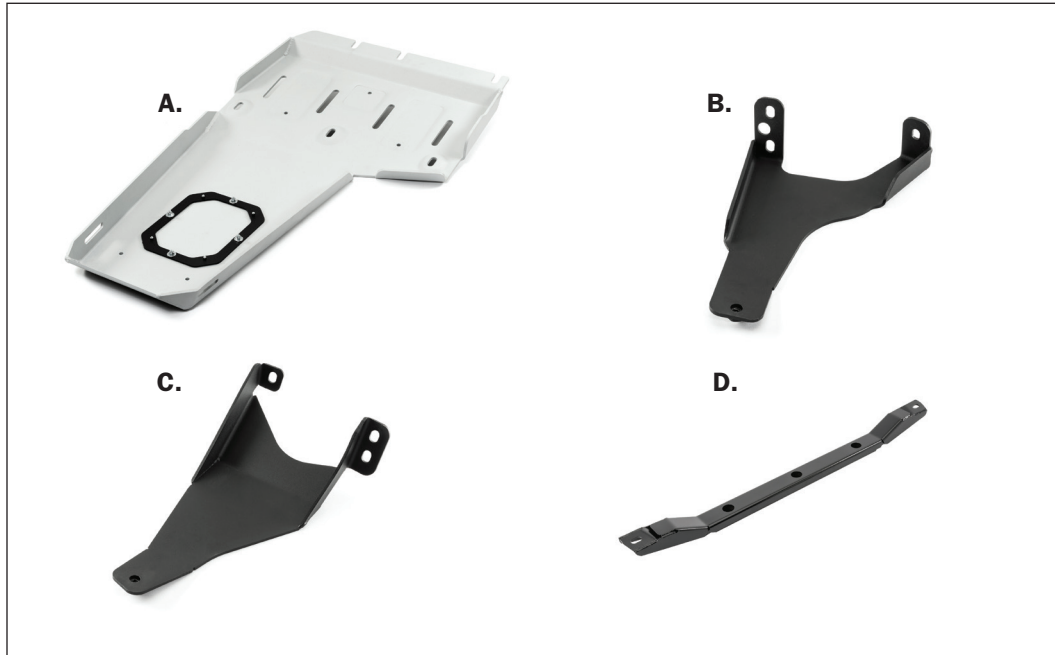
**NOTICE**

WHILE INSTALLING SKID PLATES, VISUALLY SCAN FOR ANY INTERFERENCE WITH DRIVETRAIN COMPONENTS AND/OR EXHAUST COMPONENTS AND THE SKID PLATE.

IF THERE IS ANY INTERFERENCE, ADJUST THE SKID PLATE ACCORDINGLY TO MAKE SURE ALL COMPONENTS ARE NOT TOUCHING. FAILURE TO DO THIS STEP MAY CAUSE DAMAGE TO THE VEHICLE.



## Skid Plate Kit Parts & Tools

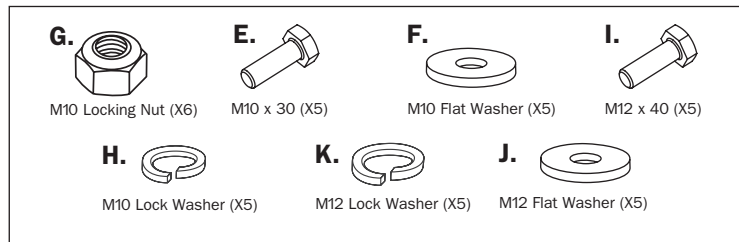


### REQUIRED TOOLS:

Safety Glasses  
 17mm Sockets  
 18mm Sockets  
 Ratchet  
 Torque Wrench (ft lbs)  
 4mm Hex Key for oil changes

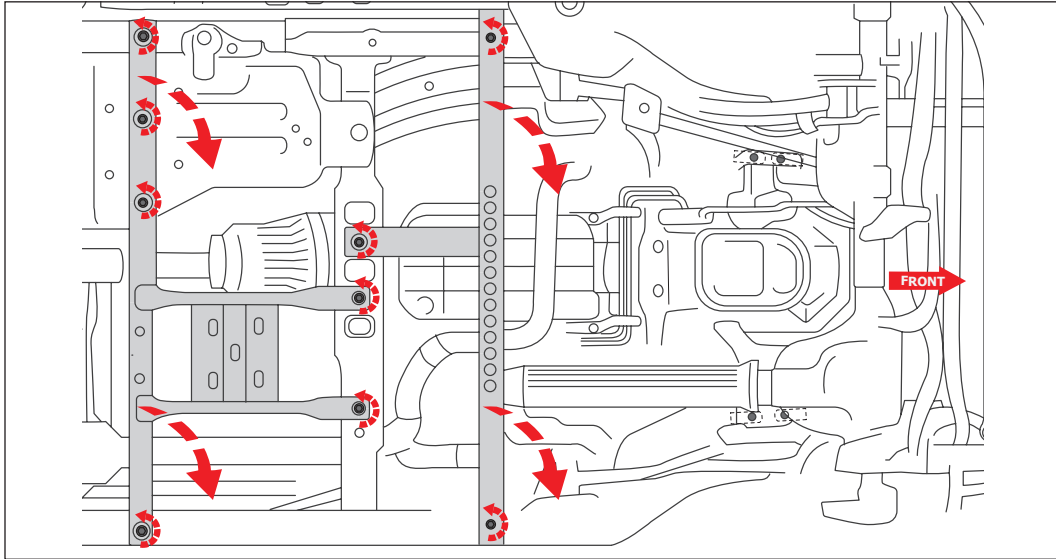
### KIT CONTENT LIST:

A. Main Skid Plate (1)  
 B. Mounting Bracket - R (1)  
 C. Mounting Bracket - L (1)  
 D. New Cross Member (1)  
 E. M10 x 1.50 x30mm Hex Head Bolt (X5)  
 F. M10 x 30mm OD Flat Washer (X5)  
 G. M10 x 1.50 Nylon Locking Nut (X6)  
 H. M10 Lock Washer (X5)  
 I. M12 x 1.50 x 40mm Hex Head Bolt (X5)  
 J. M12 x 37mm OD Flat Washer (X5)  
 K. M12 Lock Washer (X5)

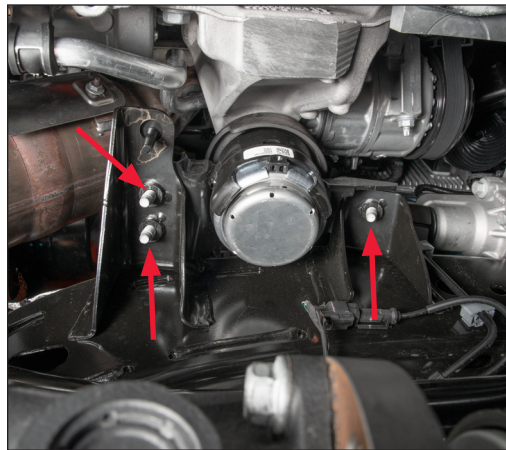
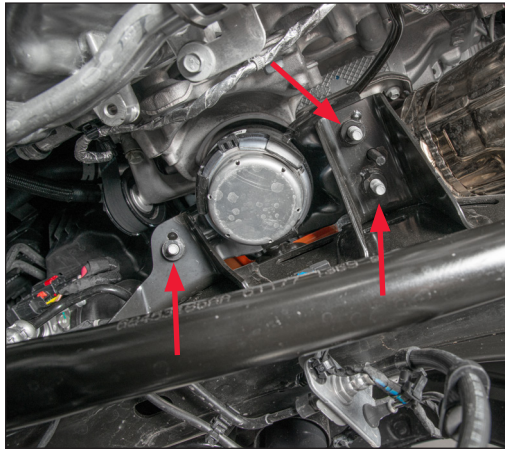


**Quadratec**  
 The Jeep Experts

### Skid Plate Installation:



**STEP 1:** Put on safety glasses. Locate the Factory Transmission Cross brace (automatic only) and the Factory Transfer case skid plate. Remove the factory fasteners with 13 and 18mm sockets. The cross brace & transfer case skids will not be reused, but be sure to keep all of the factory bolts for re-use.

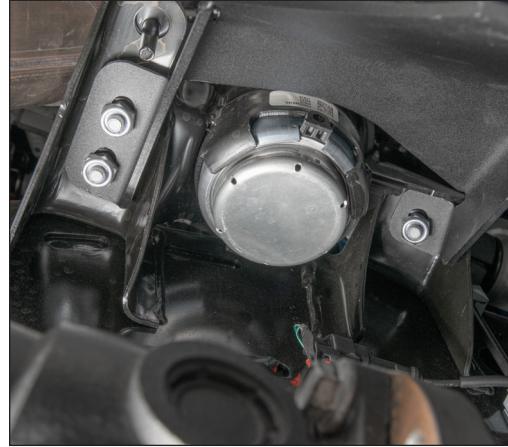
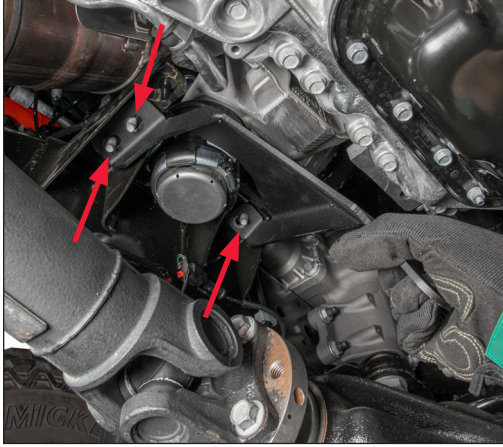


**STEP 2:** Locate the engine mounting bracket where the engine attaches to the frame. There are 3 factory bolts that you will use to install the skid plate mounting brackets.

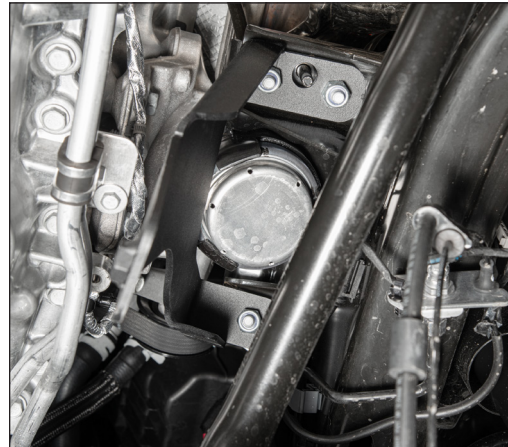
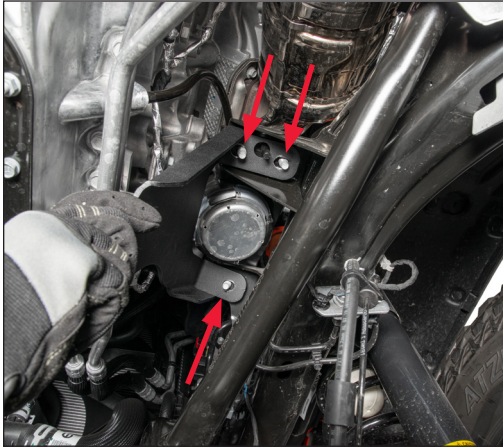
**Quadratec**  
The Jeep® Experts



### Skid Plate Installation:



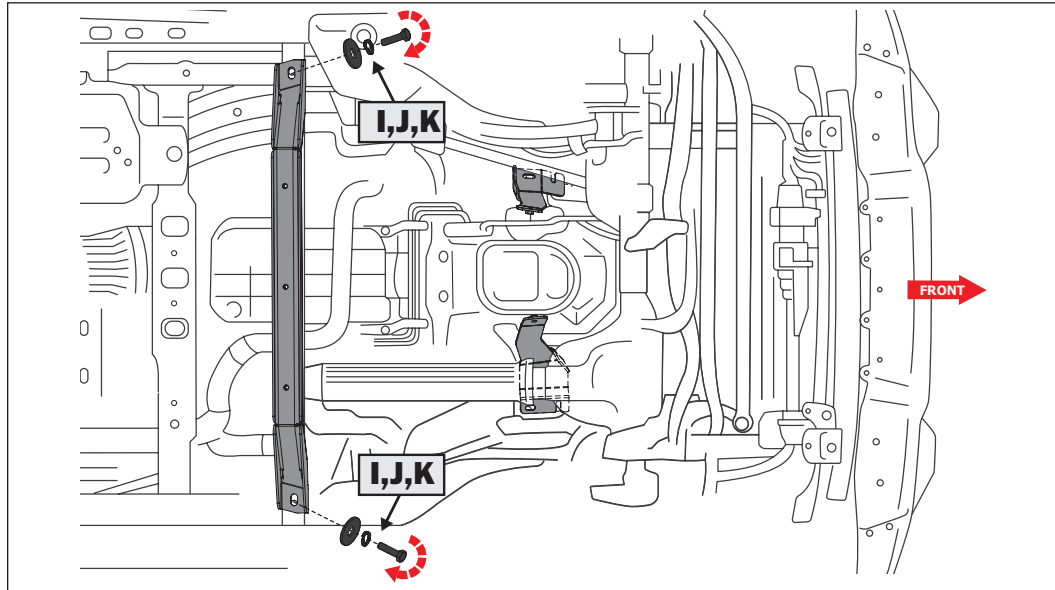
**STEP 3:** Align the Left ( C ) Mounting bracket with the factory bolts and install the ( 3 ) M10 X 1.50 Nylon Locking Nuts. Snug But do not fully tighten all the M10X1.50 nuts with a 17MM.



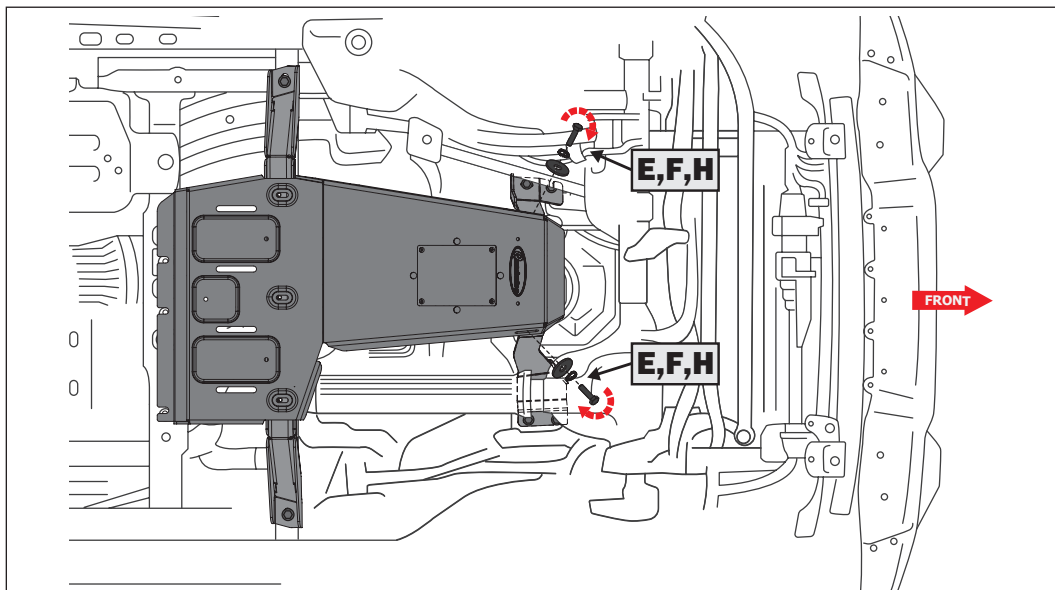
**STEP 4:** Align the Right ( B ) Mounting bracket with the factory bolts and install the ( 3 ) M10 X 1.50 Nylon Locking Nuts. Snug, but do not fully tighten all the M10X1.50 nuts with a 17MM socket.

**Quadratec**  
The Jeep® Experts

### Skid Plate Installation:



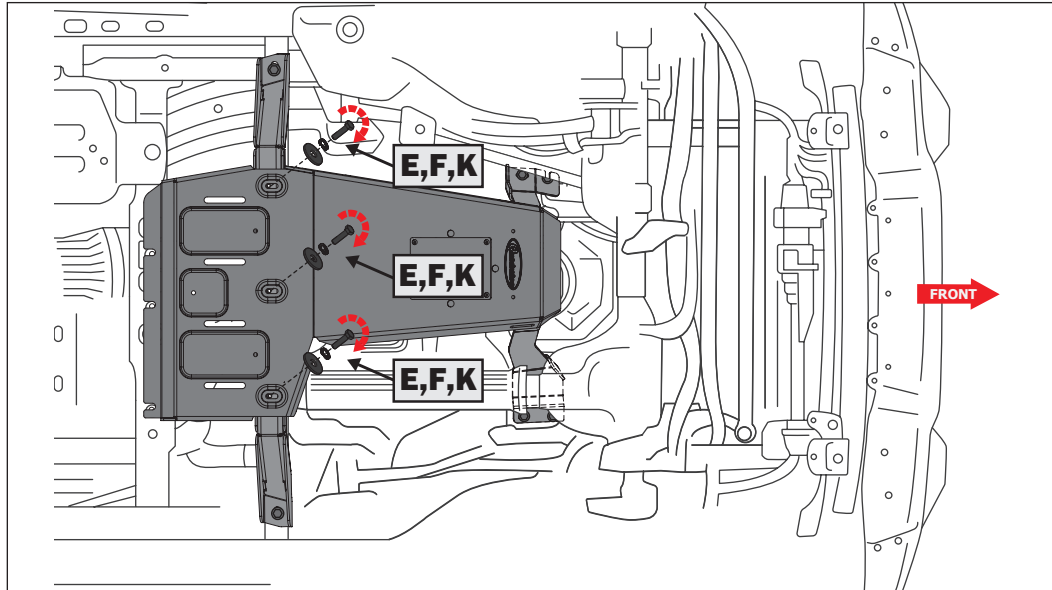
**STEP 5:** Install the Cross Brace (D) into existing holes in vehicle frame with (2) M12 bolts (I), lock washers (K), and flat washers (J). Snug but do not tighten the bolts with a 19mm socket to allow for alignment before final tightening.



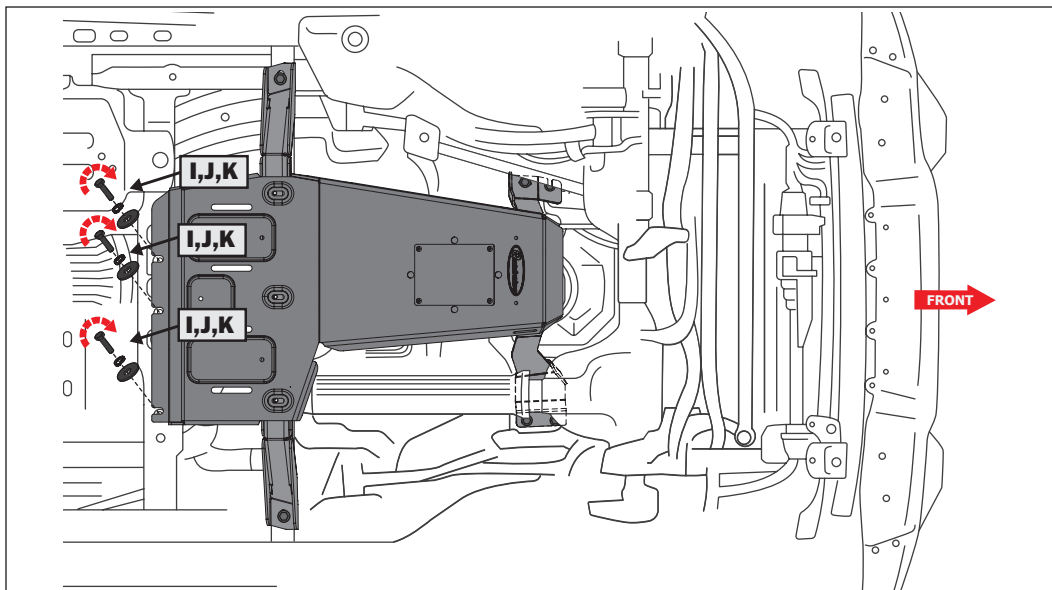
**STEP 6:** With help from a friend, lift the skid plate (A) into place and attach the front of the skid plate to the mounting brackets (B&C) with (2) M10x30 bolts (E), lock washers (H) & flat washers (F). Snug the bolts with a 17mm socket, not fully tight.

**Quadratec**  
The Jeep® Experts

**Skid Plate Installation:**



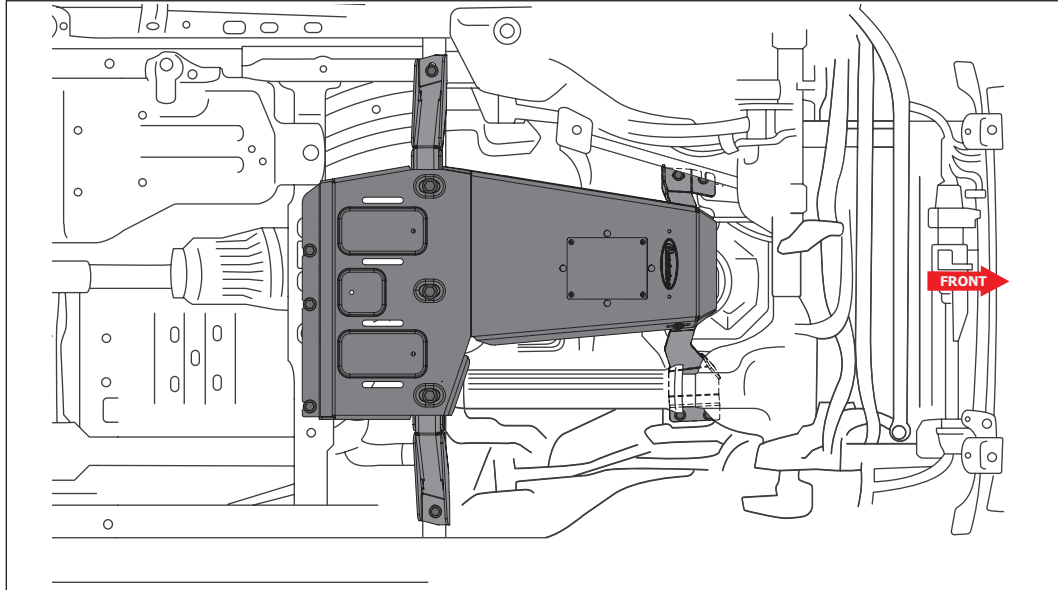
**STEP 7:** Install (3) M10x30 bolts (E) with lock washer (K), and flat washer (F) into the front 3 holes in the skid plate and thread them into the cross brace. Snug but do not tighten.



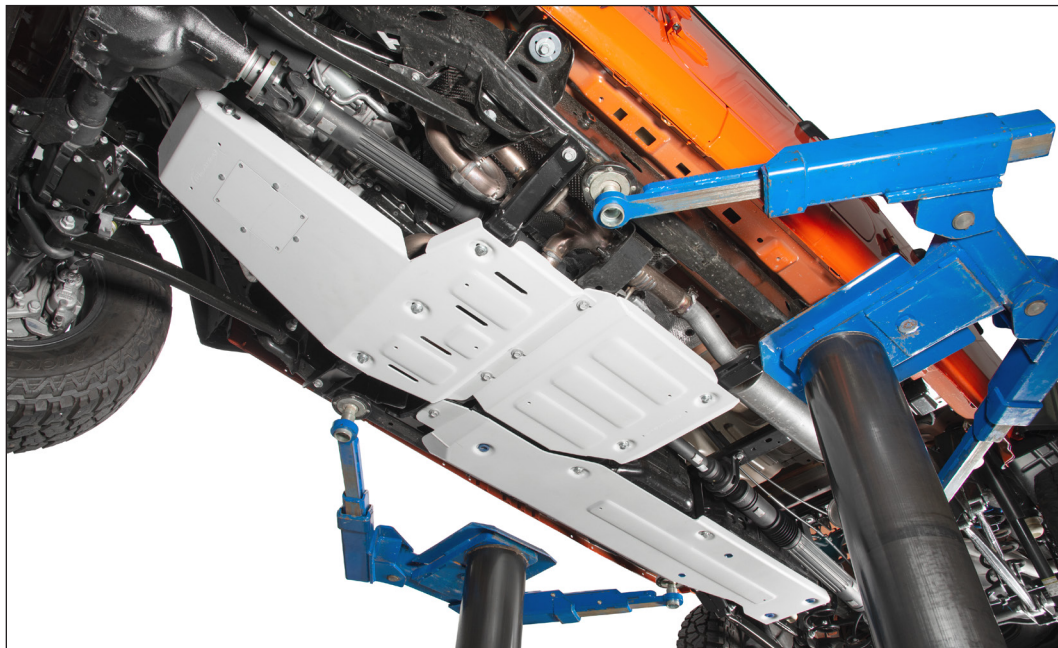
**STEP 8:** Install the (3) M12x40 bolts (I), lock washers (K), and M12 flat washers (J) into the remaining rear holes of the skid plate. Snug but do not tighten.

**Quadratec**  
The Jeep® Experts

### Skid Plate Installation:



**STEP 9:** Make sure everything aligns to your liking before fully tightening the bolts. Start tightening the bolts from front to back. Tighten all M10 bolts with 17mm socket and a torque wrench to 36 ft lbs. Tighten all the M12 bolts with a 19mm socket and a torque wrench to 48 ft lbs.

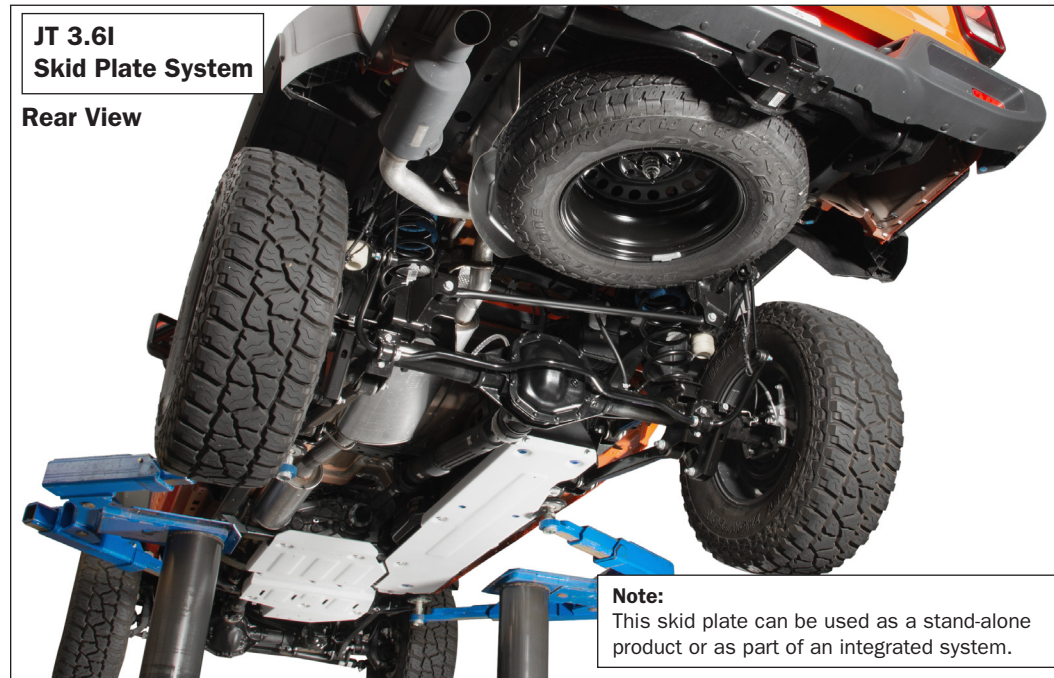
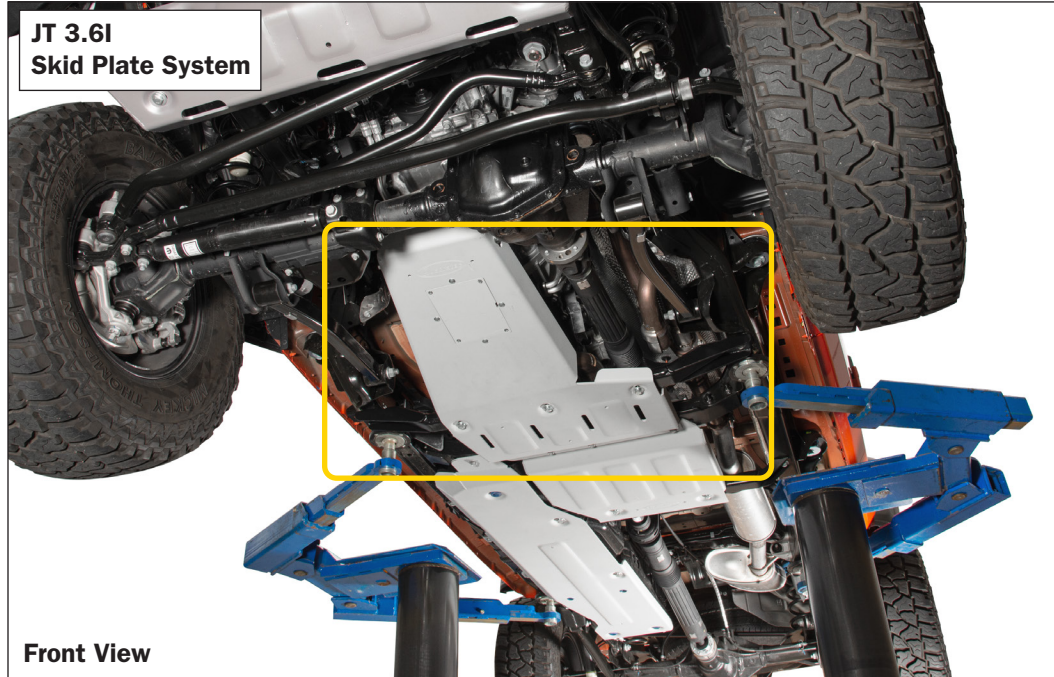


Installation is complete. This also shows the Transfer Case Skid Plate and the Fuel Tank Skid Plate (sold separately).

**Quadratec**  
The Jeep® Experts



**Quadratec Aluminum Skid Plate Full Systems:**



**Quadratec**  
The Jeep® Experts

# Quadratec® Exclusive Three Year Limited Warranty

Your Quadratec® branded accessories are covered by the following **Limited Warranty** provided exclusively by Quadratec, Inc., 1028 Saunders Lane, West Chester PA 19380.

This **Limited Warranty** is the only warranty made in connection with your purchase. Quadratec neither assumes nor authorizes any vendor, retailer or other person or entity to assume for it any other obligation or liability in connection with this product or **Limited Warranty**. This **Limited Warranty** does not apply and is not cumulative to any accessory or part distributed by Quadratec for which the Manufacturer provides a separate written warranty.

**What is Covered:** Subject to the terms, exclusions and limitations herein and with respect only to Quadratec branded accessories first sold in the United States, Quadratec warrants to the initial retail purchaser only that your Quadratec accessory shall be free of defects in material and workmanship: **for a period of three (3) years from date of retail purchase.**

This **Limited Warranty** is not assignable and shall terminate upon sale of the vehicle upon which the Quadratec accessory is installed or other transfer third persons.

All other warranties are hereby disclaimed, except to the extent prohibited by applicable law in which case any implied warranty of merchantability or fitness for a particular purpose on this product is limited to 3 year from date of initial retail sale. Quadratec reserves the rights to: (a.) require invoice or other proof your accessory is within the terms of this **Limited Warranty** as a condition of warranty service and, (b.) make future revisions to this product and **Limited Warranty** without prior notice or obligation to upgrade your product.

**What is Not Covered:**

Your Quadratec **Limited Warranty** does not cover products or parts Quadratec determines

to have been damaged by or subjected to:

(a.) installation damage, alteration, modification, combination with other parts, failure to maintain or improper repair or service, (b.) normal wear & tear, cosmetic damage or damage from moisture or water immersion, (c.) Acts of God, accidents, misuse, negligence, inadequate mounting or impact with vehicle(s), obstacles or other aspects of the environment, (d.) theft, vandalism or other intentional damage.

**Remedy Limited to Repair/Replacement:**  
**The exclusive remedy provided hereunder shall, upon Quadratec inspection and at option, be either repair or replacement of product or parts (new or refurbished) covered under this Limited Warranty.**

Customers requesting warranty consideration should first contact Quadratec to obtain a RGA number (610-701-3336). All labor, removal, shipping and installation costs are customer's responsibility.

**Other Limitations - Exclusion of Damages - Your Rights Under State Law:**

In consideration of the purchase price paid, neither Quadratec nor any independent Quadratec distributor/licensee are responsible for any time loss, rental costs, or for any incidental, consequential, punitive or other damages you may have or incur in connection with any part or product purchased. Your exclusive remedy hereunder for covered parts is repair/replacement as described above.

This **Limited Warranty** gives you specific rights. You may also have other rights that vary from state to state. For example, some states do not allow limitations of how long an implied warranty lasts and /or do not allow the exclusion or limitation of incidental or consequential damages, so the limitations and exclusions herein may not apply to you.

©Quadratec, Inc. 2018. All Rights Reserved.  
A4 Version 12.19.18

Instructions Part #12999.3180

**Quadratec®**  
The Jeep® Experts