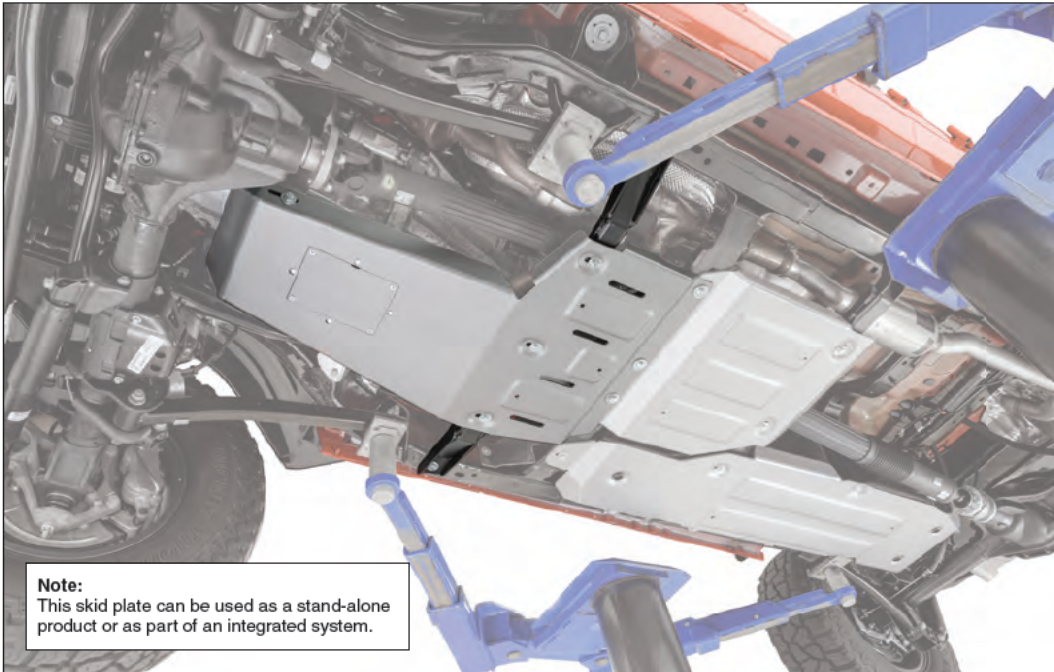


Quadratec® Aluminum Engine Bay Skid Plate

Installation Manual for '18-'20 Wrangler (JL) 4 Door
#12500.0202



⚠ WARNING ⚠

TO REDUCE RISK OF SERIOUS INJURY OR PROPERTY DAMAGE: READ ALL SAFETY MESSAGES AND UNDERSTAND ALL INSTRUCTIONS AND PROCEDURE *NOTICES* BEFORE ATTEMPTING TO INSTALL OR USE THIS PRODUCT.

⚠ CAUTION ⚠

RISK OF EYE INJURY! SAFETY GLASSES MUST BE WORN AT ALL TIMES WHILE INSTALLING OR MAINTAINING THIS PRODUCT. TORQUE AND RECHECK FASTENERS AFTER 250 MILES AND FREQUENTLY THEREAFTER. DO NOT USE IF DAMAGED.

NOTICE

AN AUXILIARY SKID PLATE ADDS EXTRA PROTECTION ON THE TRAIL, BUT IT CAN NOT GUARANTEE AGAINST ALL POSSIBLE DAMAGE FROM LARGE OBJECTS YOU MAY ENCOUNTER. ALWAYS DRIVE WITH RESPECT FOR OBJECTS AND TERRAIN THAT COULD DAMAGE SENSITIVE PARTS OF THE VEHICLE.



The Trusted Source

A Few Words About Product Safety:

Your Quadratec® Skid Plate is intended to enhance the performance and protection of your off road capable vehicle. Before installation, please review the following safety information and installation recommendations.

Throughout these instructions important safety information is generally preceded by one of three signal words indicating the relative risk of injury, property damage or adverse consequence. *The signal words mean:*

⚠ WARNING ⚠	a hazardous situation which, if not avoided, could result in death or serious injury. You CAN be KILLED or SERIOUSLY HURT if you don't follow instructions.
⚠ CAUTION ⚠	a hazardous situation which, if not avoided, could result in minor or moderate injury. You CAN be moderately HURT and also may suffer property damage if you don't follow instructions.
NOTICE	Careful attention is required to this instruction or operation but does generally not relate to personal injury. Damage to your Quadratec® product or other property may result if you don't follow instructions.

Before You Begin Installation:

Congratulations on your purchase of Quadratec® Skid Plate for your Jeep® Wrangler. This custom fit skid plate has been designed for protection, long life, and great looks. When unpacking, check to make sure all parts are included and not damaged due to shipping.

If any part is missing or broken, please call Customer Service at 800-745-6037 as soon as possible. Thank you again for your purchase and let's start the installation process.

⚠ CAUTION ⚠	READ ALL SAFETY MESSAGES AND ALWAYS WEAR SAFETY GLASSES WHEN WORKING WITH TOOLS.
--------------------	---

NOTICE	THIS PRODUCT IS INSTALLED UNDERNEATH THE VEHICLE AND REQUIRES ACCESS TO THE UNDERSIDE. WE RECOMMEND USING A VEHICLE LIFT SUCH AS THOSE FOUND IN MOST REPAIR SHOPS TO ACCESS THIS PART OF THE VEHICLE. ALWAYS USE CAUTION WHEN WORKING UNDER YOUR VEHICLE.
	WE ALSO RECOMMEND THAT YOU HAVE A HELPER NEARBY AS SOME OF THE STEPS OUTLINED BELOW WILL BE MUCH EASIER WITH THE HELP OF ANOTHER SET OF HANDS.
NOTICE	WHILE INSTALLING SKID PLATES, VISUALLY SCAN FOR ANY INTERFERENCE WITH DRIVETRAIN COMPONENTS AND/OR EXHAUST COMPONENTS AND THE SKID PLATE.
	IF THERE IS ANY INTERFERENCE, ADJUST THE SKID PLATE ACCORDINGLY TO MAKE SURE ALL COMPONENTS ARE NOT TOUCHING. FAILURE TO DO THIS STEP MAY CAUSE DAMAGE TO THE VEHICLE.

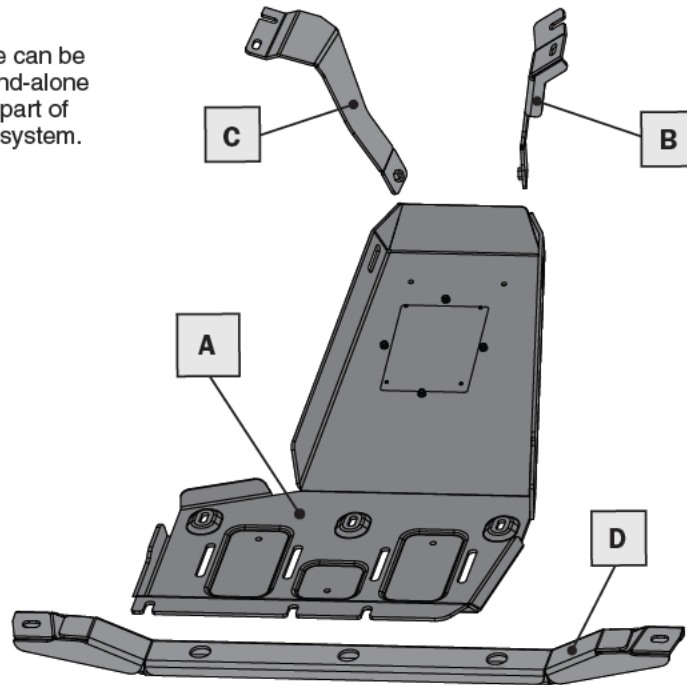


The Trusted Source

Skid Plate Kit Parts & Tools:

Note:

This skid plate can be used as a stand-alone product or as part of an integrated system.



REQUIRED TOOLS:

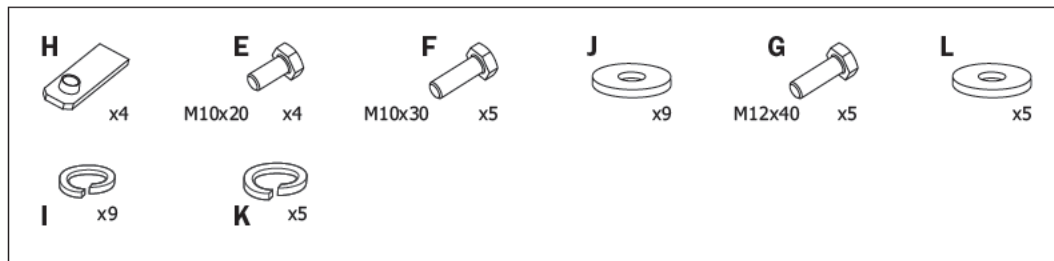
- Safety Glasses
- 17mm Socket
- 18mm Socket
- 19mm Socket
- Ratchet
- Torque Wrench (ft lbs)
- 4mm hex key for oil changes

KIT CONTENTS LIST:

- A.) Main Skid Plate (1)
- B.) Mounting Bracket - R (1)
- C.) Mounting Bracket - L (1)
- D.) New Cross Brace (1)
- E.) M10 x 20 Bolts (4)
- F.) M10 x 30 Bolts (5)
- G.) M12 x 40 Bolts (5)

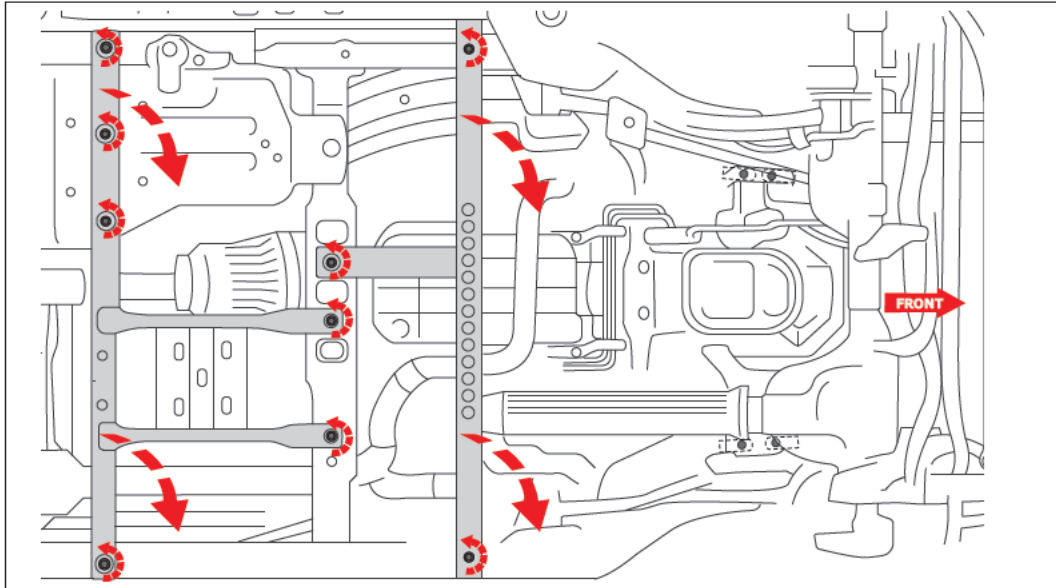
CONTENTS CONTINUED:

- H.) M10 Nut Plates Short (4)
- I.) M10 Lock Washers (9)
- J.) M10 Flat Washers (10)
- K.) M12 Lock Washers (5)
- L.) M12 Lock Washers (5)

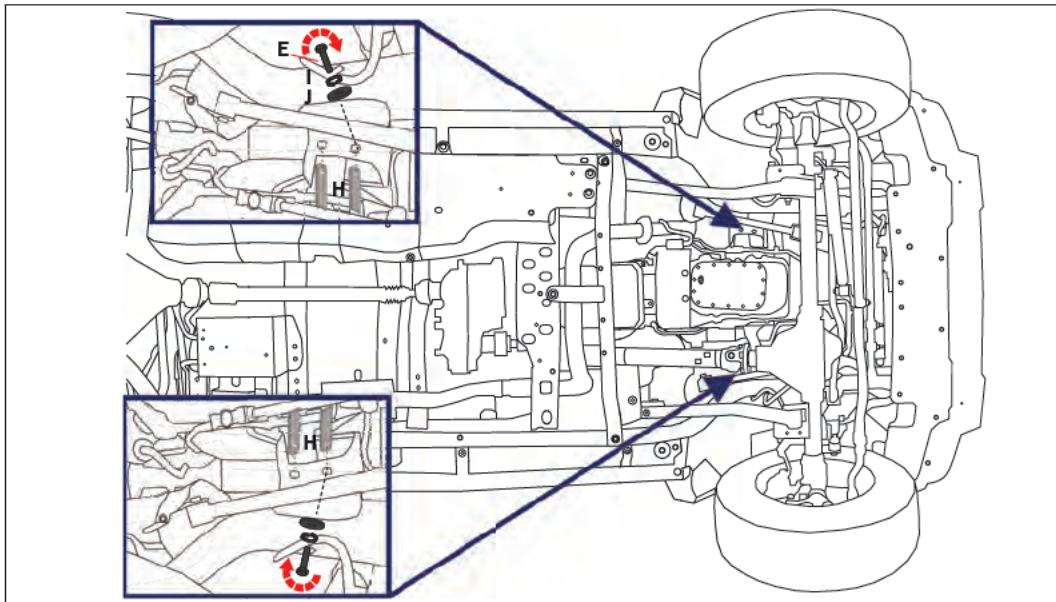


The Trusted Source

Skid Plate Installation:



STEP 1: Put on safety glasses. Locate the Factory Transmission Cross brace (automatic only) and the Factory Transfer case skid plate. Remove the factory fasteners with 13 and 18mm sockets. The cross brace & transfer case skids will not be reused, but be sure to keep all of the factory bolts for re-use.

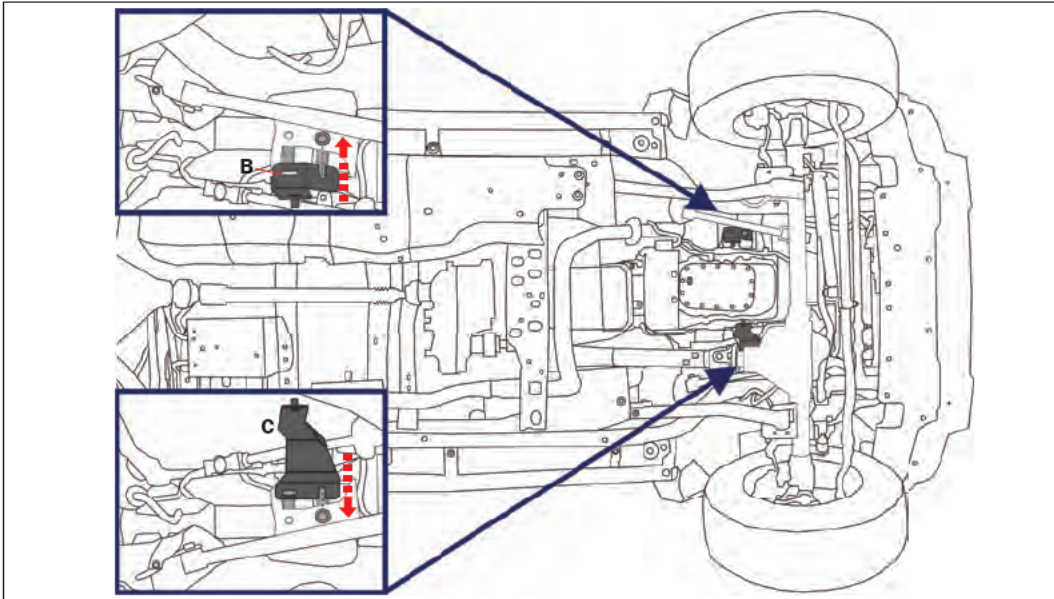


STEP 2: Locate the engine frame ears where the engine attaches to the frame. Slide the (4) M10 Nut Plates (H) inside the frame ears so that the threaded hole aligns with the holes in the frame. Finger tighten (2) M10x20 bolts (E), M10 lock washers (I), and M10 flat washers (J) into the front hole on either side.

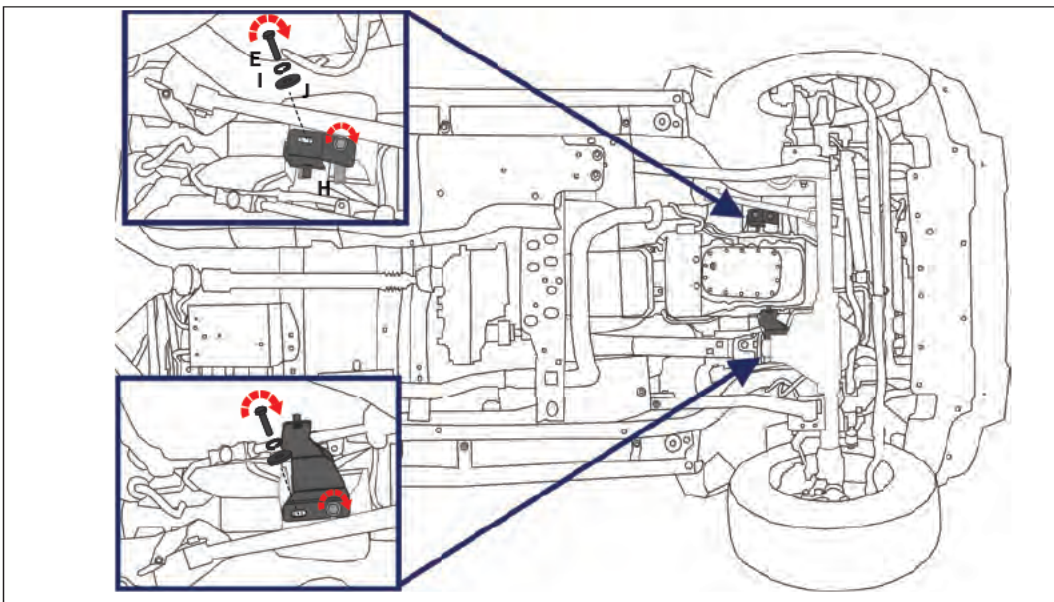


The Trusted Source

Skid Plate Installation:



STEP 3: Slide the Left (C) and Right (B) Mounting Brackets into place so that the slots slide behind the front bolts & washers.

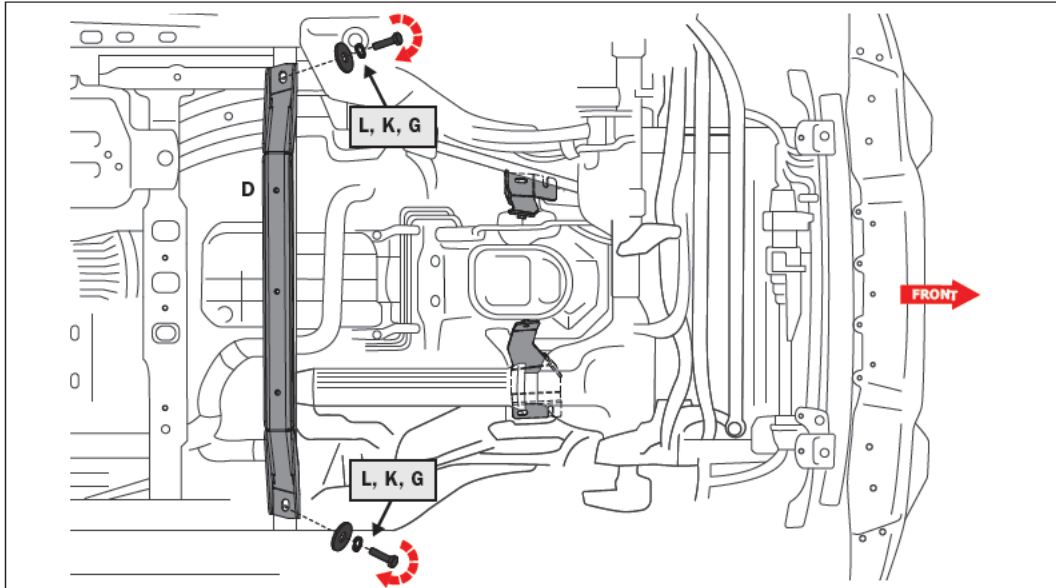


STEP 4: Install the other (2) M10x20 Bolts (E), lock washers (I), and flat washers (J) into the rear slot of the mounting brackets and hand tighten the bolts into the nut plates (H). Snug but do not fully tighten all the M10x20 bolts with a 17mm socket.

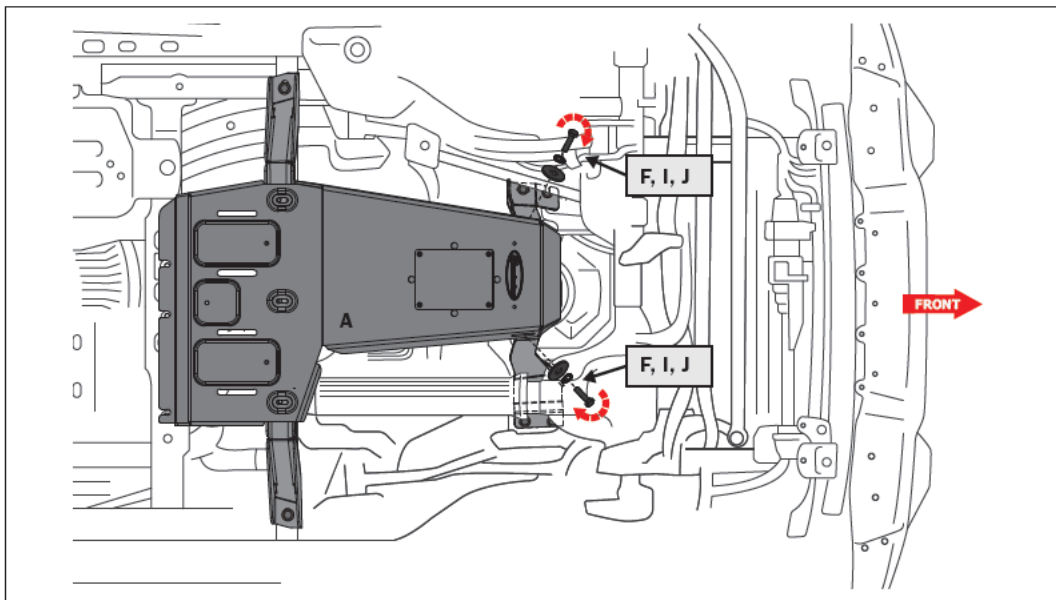


The Trusted Source

Skid Plate Installation:



STEP 5: Install the Cross Brace (D) into existing holes in vehicle frame with (2) M12 bolts (G), lock washers (K), and flat washers (L). Snug but do not tighten the bolts with a 19mm socket to allow for alignment before final tightening.

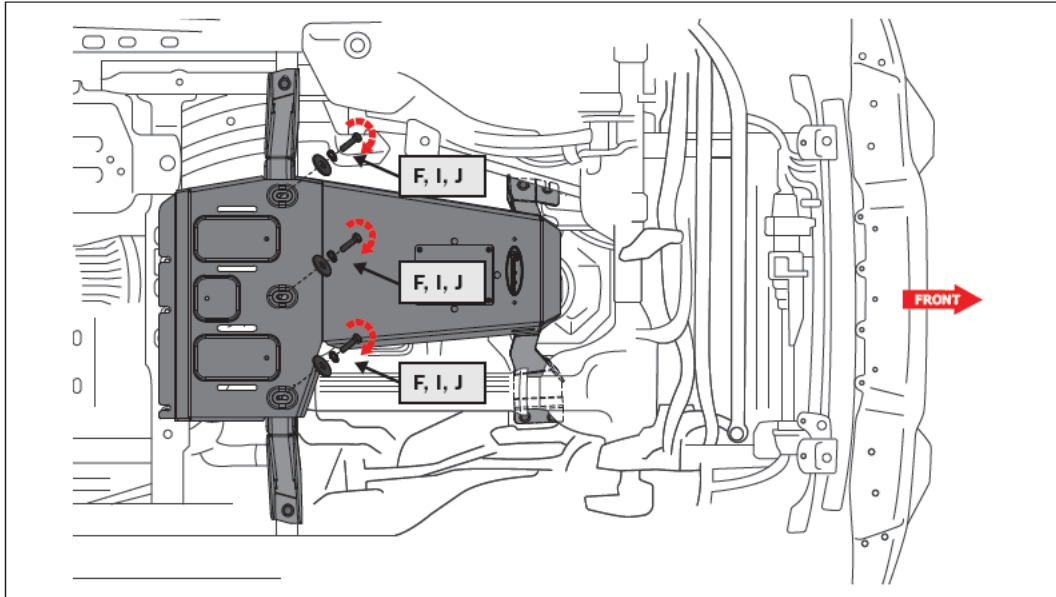


STEP 6: With help from a friend, lift the skid plate (A) into place and attach the front of the skid plate to the mounting brackets (B&C) with (2) M10x30 bolts (F), lock washers (I) & flat washers (J). Snug the bolts with a 17mm socket, not fully tight.

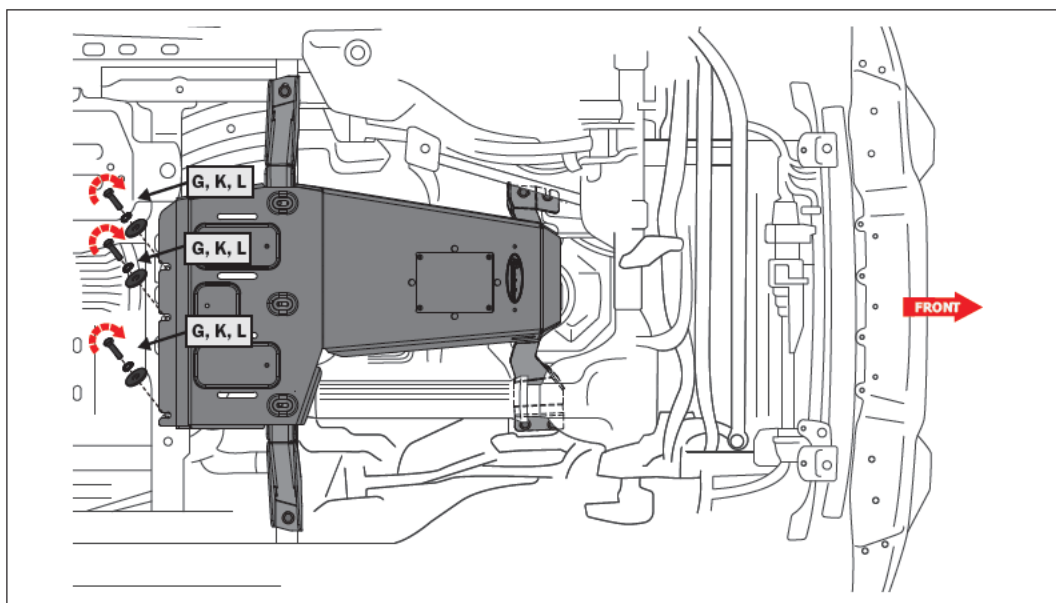


The Trusted Source

Skid Plate Installation:



STEP 7: Install (3) M10x30 bolts (F) with lock washer (I), and flat washer (J) into the front 3 holes in the skid plate and thread them into the cross brace. Snug but do not tighten.

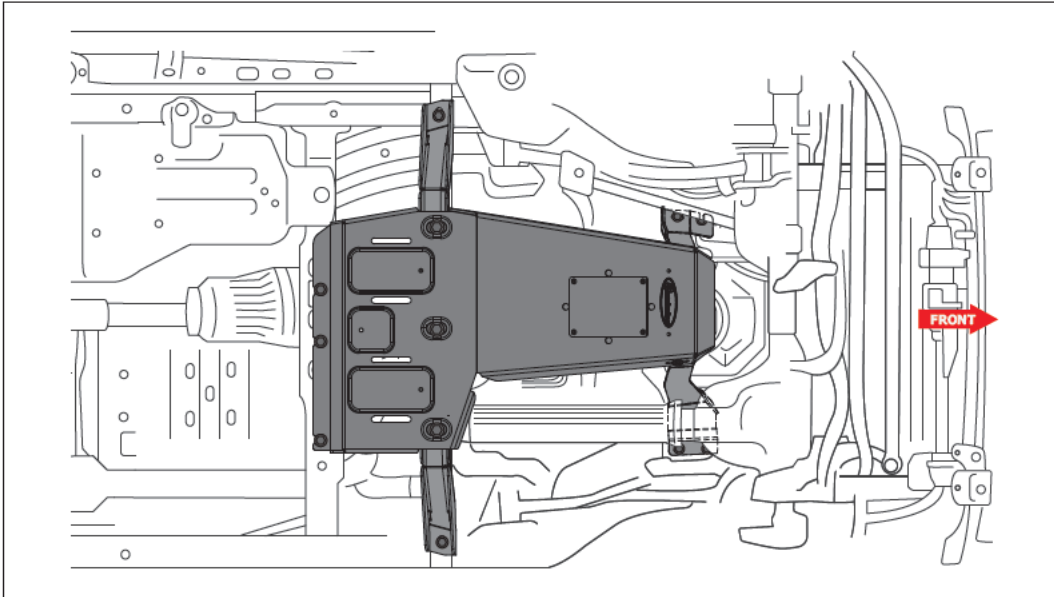


STEP 8: Install the (3) M12x40 bolts (G), lock washers (K), and M12 flat washers (L) into the remaining rear holes of the skid plate. Snug but do not tighten.

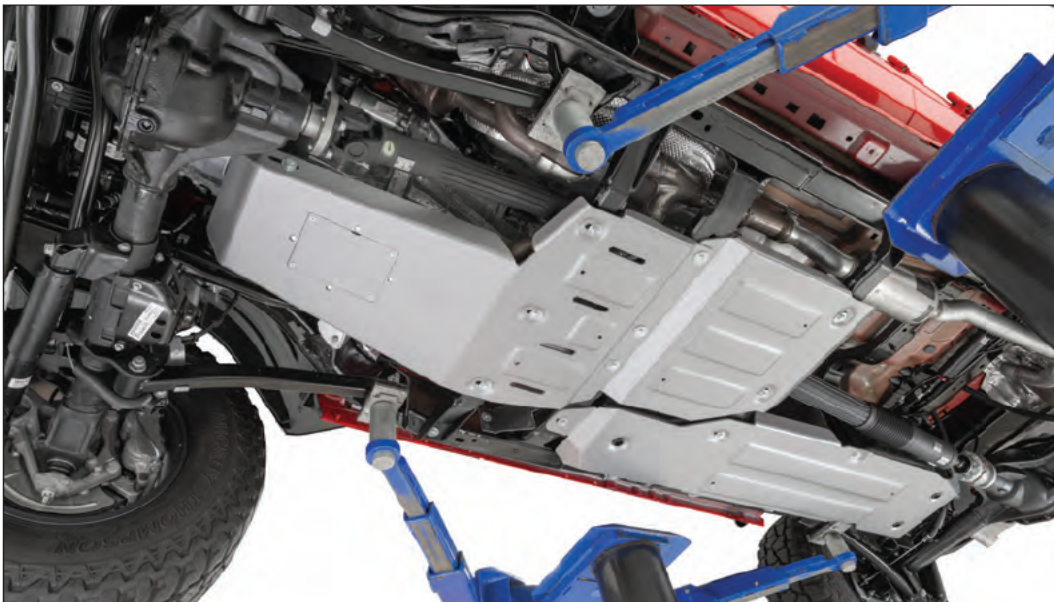


The Trusted Source

Skid Plate Installation:



STEP 9: Make sure everything aligns to your liking before fully tightening the bolts. Start tightening the bolts from front to back. Tighten all M10 bolts with 17mm socket and a torque wrench to 36 ft lbs. Tighten all the M12 bolts with a 19mm socket and a torque wrench to 48 ft lbs.



Installation is complete. This also shows the Transfer Case Skid Plate and the Fuel Tank Skid Plate (sold separately).



The Trusted Source



The Trusted Source

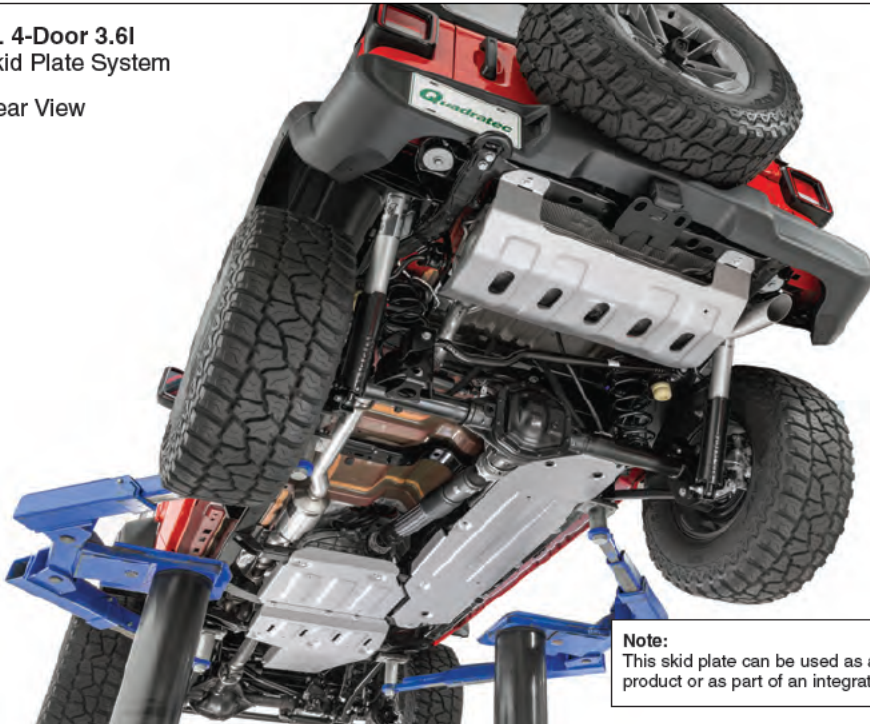
Quadratec Aluminum Skid Plate Full Systems:

JL 4-Door 3.6l
Skid Plate System



Front View

JL 4-Door 3.6l
Skid Plate System
Rear View

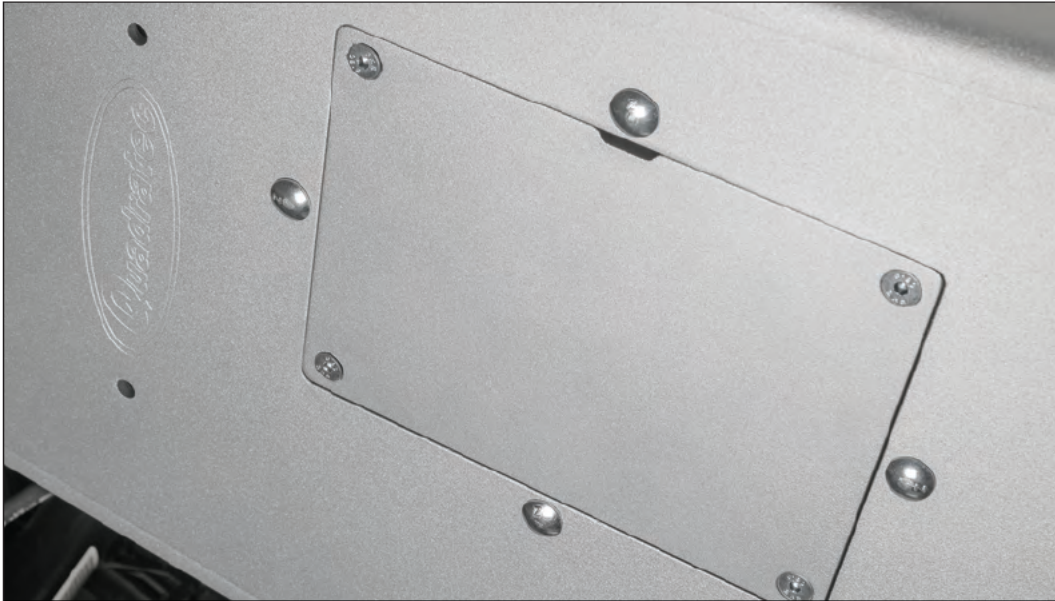


Note:
This skid plate can be used as a stand-alone product or as part of an integrated system.



The Trusted Source

Skid Plate Features and Benefits:



This skid plate has been thoughtfully designed to allow access for engine oil changes. In order to access your drain plug, remove the 4 countersunk hex head bolts with a 4mm hex key and remove the panel.



Proceed with normal precautions one uses during engine oil changes. Replace panel when service is complete.



The Trusted Source

Quadratec® Exclusive Three Year Limited Warranty

Your Quadratec® branded accessories are covered by the following **Limited Warranty** provided exclusively by Quadratec, Inc., 1028 Saunders Lane, West Chester PA 19380.

This **Limited Warranty** is the only warranty made in connection with your purchase. Quadratec neither assumes nor authorizes any vendor, retailer or other person or entity to assume for it any other obligation or liability in connection with this product or **Limited Warranty**. This **Limited Warranty** does not apply and is not cumulative to any accessory or part distributed by Quadratec for which the Manufacturer provides a separate written warranty.

What is Covered: Subject to the terms, exclusions and limitations herein and with respect only to Quadratec branded accessories first sold in the United States, Quadratec warrants to the initial retail purchaser only that your Quadratec accessory shall be free of defects in material and workmanship: for a period of **three (3) years from date of retail purchase**.

This **Limited Warranty** is not assignable and shall terminate upon sale of the vehicle upon which the Quadratec accessory is installed or other transfer third persons.

All other warranties are hereby disclaimed, except to the extent prohibited by applicable law in which case any implied warranty of merchantability or fitness for a particular purpose on this product is limited to 3 year from date of initial retail sale. Quadratec reserves the rights to: (a.) require invoice or other proof your accessory is within the terms of this **Limited Warranty** as a condition of warranty service and, (b.) make future revisions to this product and **Limited Warranty** without prior notice or obligation to upgrade your product.

What is Not Covered:
Your Quadratec **Limited Warranty** does not cover products or parts Quadratec determines to have been damaged by or subjected to:

(a.) installation damage, alteration, modification, combination with other parts, failure to maintain or improper repair or service, (b.) normal wear & tear, cosmetic damage or damage from moisture or water immersion, (c.) Acts of God, accidents, misuse, negligence, inadequate mounting or impact with vehicle(s), obstacles or other aspects of the environment, (d.) theft, vandalism or other intentional damage.

Remedy Limited to Repair/Replacement:
The exclusive remedy provided hereunder shall, upon Quadratec inspection and at Quadratec's option, be either repair or replacement of product or parts (new or refurbished) covered under this **Limited Warranty**. Customers requesting warranty consideration should first contact Quadratec to obtain a RGA number (610-701-3336). All labor, removal, shipping and installation costs are customer's responsibility.

Other Limitations - Exclusion of Damages - Your Rights Under State Law:

In consideration of the purchase price paid, neither Quadratec nor any independent Quadratec distributor/licensee are responsible for any time loss, rental costs, or for any incidental, consequential, punitive or other damages you may have or incur in connection with any part or product purchased. Your exclusive remedy hereunder for covered parts is repair/replacement as described above.

This **Limited Warranty** gives you specific rights. You may also have other rights that vary from state to state. For example, some states do not allow limitations of how long an implied warranty lasts and /or do not allow the exclusion or limitation of incidental or consequential damages, so the limitations and exclusions herein may not apply to you.

©Quadratec, Inc. 2021. All Rights Reserved. A4
Version 10.5.2021

Instructions Part #12999.3117



The Trusted Source