

Quadratec® Platform Mount Bike Rack

Installation Manual: Designed for Jeep '76-'19
CJ, YJ, TJ, JK and JL Wrangler Vehicles

#92034.1008



⚠ WARNING ⚠

TO REDUCE RISK OF SERIOUS INJURY OR PROPERTY DAMAGE: READ ALL SAFETY MESSAGES AND UNDERSTAND ALL INSTRUCTIONS AND PROCEDURE *NOTICES* BEFORE ATTEMPTING TO INSTALL OR USE THIS PRODUCT. FOLLOW ALL INSTRUCTIONS AND WARNINGS WITH PRODUCT & VEHICLE OWNERS MANUAL.

⚠ CAUTION ⚠

RISK OF EYE INJURY! SAFETY GLASSES MUST BE WORN AT ALL TIMES WHILE INSTALLING OR MAINTAINING THIS PRODUCT. TORQUE AND RECHECK FASTENERS AFTER 250 MILES AND FREQUENTLY THEREAFTER. DO NOT USE IF DAMAGED.

⚠ CAUTION ⚠

MAKE CERTAIN BICYCLES ARE PROPERLY SECURED BEFORE DRIVING ON PUBLIC ROADS. FAILURE TO DO SO COULD CAUSE PROPERTY DAMAGE OR PERSONAL INJURY.



The Trusted Source

A Few Words About Product Safety:

Your Platform Mount Bike Rack is intended to enhance the utility and enjoyment of your off road capable vehicle. Before installation, please take a moment to review the following safety

information and installation instructions. Important safety information is generally preceded by one of three signal words indicating the relative risk of injury. The signal words mean:

⚠ WARNING ⚠	a hazardous situation which, if not avoided, could result in death or serious injury. You CAN be KILLED or SERIOUSLY HURT if you don't follow instructions.
⚠ CAUTION ⚠	a hazardous situation which, if not avoided, could result in minor or moderate injury. You CAN be moderately HURT and also may suffer property damage if you don't follow instructions.
NOTICE	Careful attention is required to this instruction or operation but does generally not relate to personal injury. Damage to your Quadratec® product or other property may result if you don't follow instructions.

Before You Begin Installation:

Congratulations on your purchase of Platform Mount Bike Rack for Wrangler vehicles. When unpacking, check to make sure all parts are included and not damaged due to shipping.

Regarding Bike Rack Safety: Always check that the rack and bicycles are securely mounted on your vehicle. Failure to do so could cause property damage or personal injury.

If any part is missing or broken, please call Customer Service at 800-745-6037 as soon as possible.

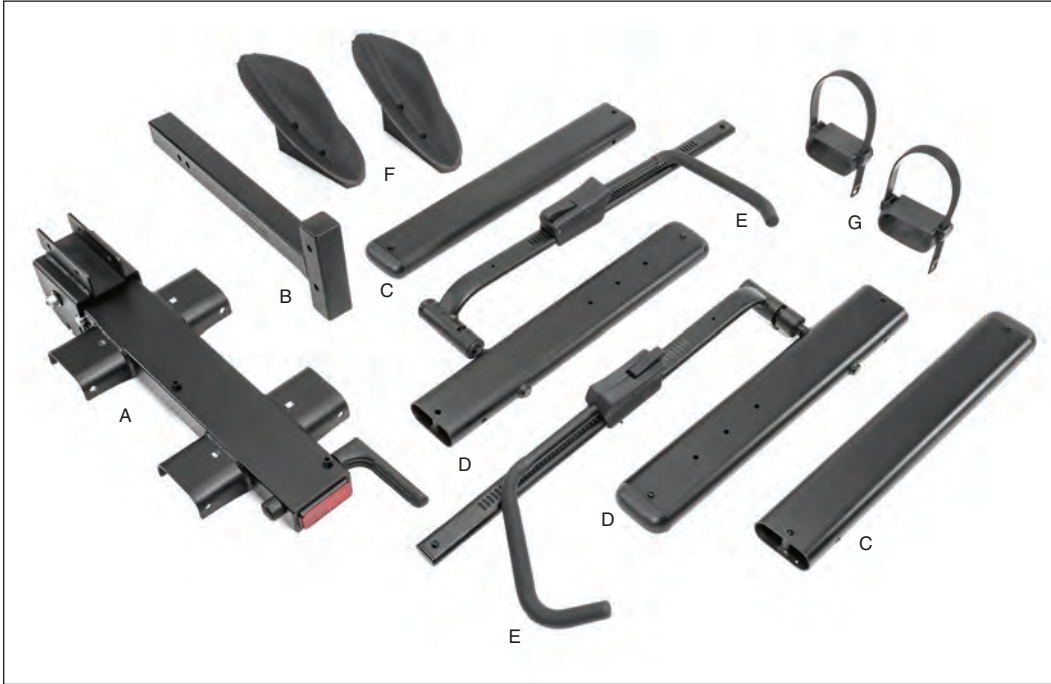
Thank you again for your purchase and let's start the installation process.

⚠ CAUTION ⚠	TO REDUCE RISK OF SERIOUS INJURY OR PROPERTY DAMAGE: INSTALL ACCORDING TO INSTRUCTIONS. TORQUE AND RECHECK FASTENERS AFTER 250 MILES AND FREQUENTLY THEREAFTER. INSPECT AND DO NOT USE RECEIVER/RACK IF DAMAGED.
⚠ CAUTION ⚠	ALWAYS FOLLOW ALL SAFETY WARNINGS, CAUTIONS AND NOTICES IN THE INSTALLATION INSTRUCTIONS AND DOCUMENTATION THAT CAME WITH YOUR BIKE RACK. THIS DOCUMENT ONLY REFERS TO BIKE RACK ASSEMBLY AND INSTALLATION.
⚠ CAUTION ⚠	MAKE CERTAIN BICYCLES ARE PROPERLY SECURED BEFORE DRIVING ON PUBLIC ROADS. FAILURE TO DO SO COULD CAUSE PROPERTY DAMAGE OR PERSONAL INJURY.



The Trusted Source

Kit Contents and Hardware:



PARTS LIST:

A) Main Rack Assembly	Qty 1
B) Receiver Tube	Qty 1
C) Crossbars	Qty 2
D) Crossbar With Arm	Qty 2
E) Tire Holders	Qty 2
F) Tire Cradles	Qty 2
G) Rear Tire Hold Downs	Qty 2
H) M10x120 Button Head Bolts	Qty 4
I) M10x60 Carriage Bolts	Qty 4
J) M10 Flat Washers	Qty 12
K) M10 Nylocks	Qty 8
L) 1/2" Button Head Bolts	Qty 2
M) 1/2" Flat Washers	Qty 4
N) 1/2" Nylock Nuts	Qty 2
O) M8 Bolts	Qty 4
P) M8 Flat Washers	Qty 4

PARTS LIST:

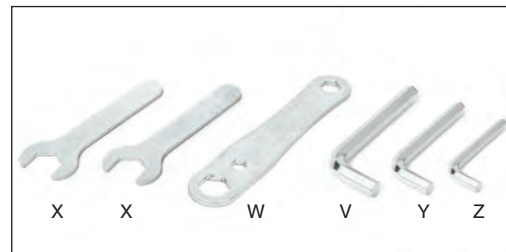
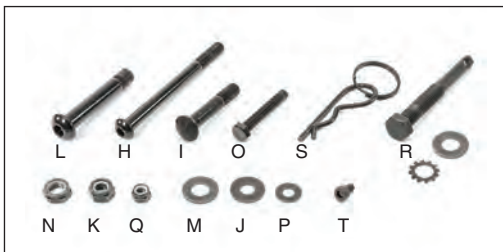
Q) M8 Nylock Nuts	Qty 4
R) Anti-Rattle Hitch Pin With Star Washer & Flat Washer	Qty 1
S) Clevis Pin	Qty 1
T) M6 Cap Screw	Qty 4

INCLUDED TOOLS:

V) 5/16" Hex Wrench	Qty 1
W) 3/4"/13mm/10mm Combo Wrench	Qty 1
X) 17mm Wrenches	Qty 2
Y) M6 Hex Wrench	Qty 1
Z) M5 Hex Wrench	Qty 1

REQUIRED TOOLS:

Safety Glasses

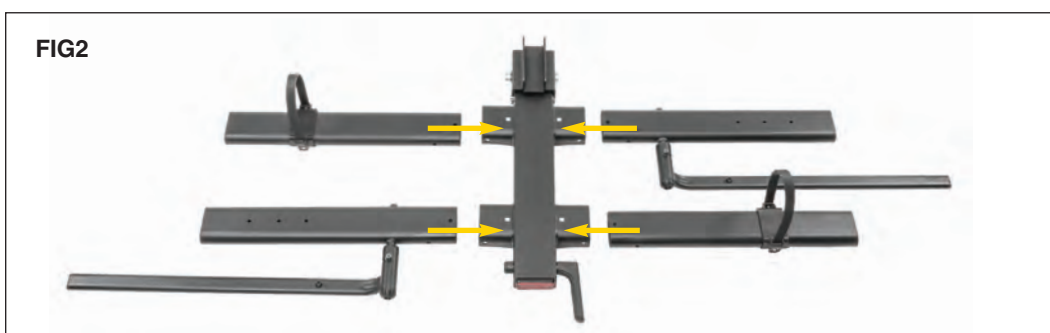


Bike Rack Assembly:

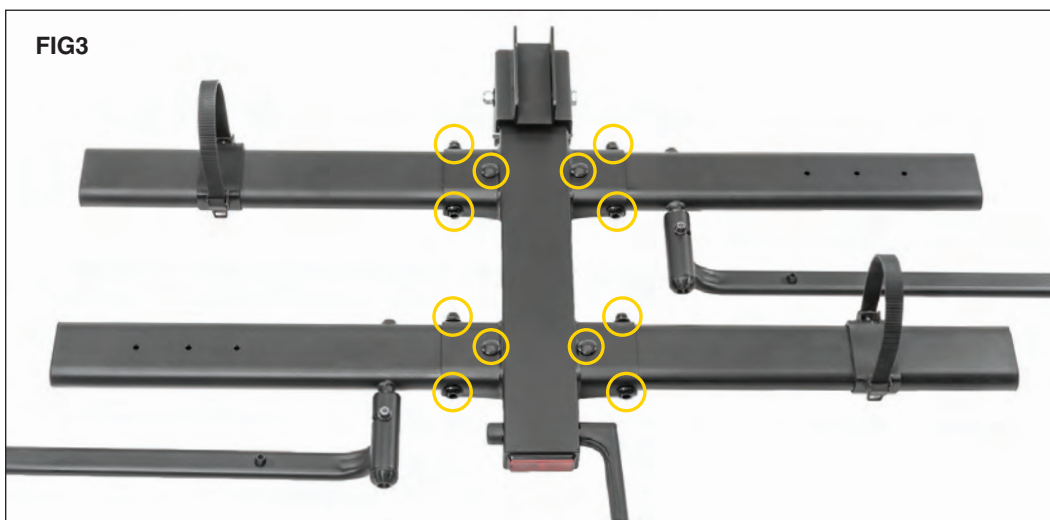


Put on Safety Glasses.

Locate the 2 crossbars (C) and the rear tire hold downs (G). Slide the rear tire hold downs onto the crossbars as shown. (FIG1)



Locate the main rack assembly (A), crossbars (C), and crossbars with arms (D). Position the all the crossbars into the main rack as shown. (FIG2)

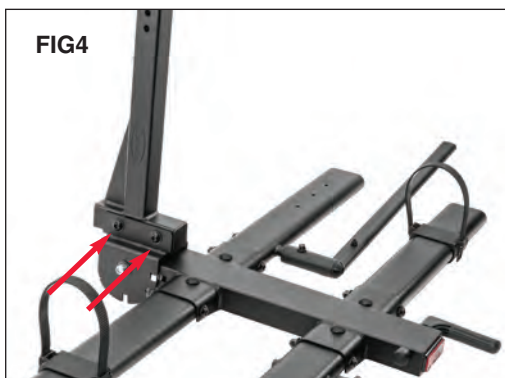


Secure each crossbar to the main rack on the horizontal axis with QTY 1 M10x120 Bolt (H) Qty 2 M10 washers (J), and QTY 1 M10 nylock (K). Secure each crossbar on the vertical axis with QTY 1 M10x60 Carriage bolt (I), QTY 1 M10 washers (J), and QTY 1 M10 nylock (K). Tighten all bolts with provided M6 Hex (Y) & 17mm wrenches (X). (FIG3)

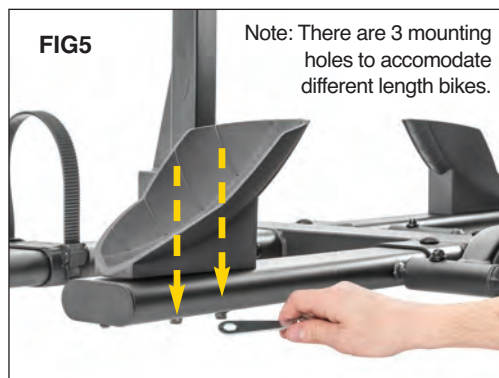


The Trusted Source

Bike Rack Assembly:



Position the receiver tube (B) into the rack assembly as shown with the supporting rib facing as shown. Secure the receiver tube to the main rack with QTY 2 1/2" button head bolts (L), Qty 4 1/2" washers (M), and QTY 2 1/2" nylock nuts (N). Tighten the bolts with the provided 5/16 hex key (V) & 3/4" wrench (W). (FIG4)



Locate the tire cradles (F) and position them on the crossbars with tire holders so that the higher end of the cradle is facing the middle of the rack as shown. Install Qty 2 M8 bolts (O) down through each holder and through the crossbar. Install QTY 2 M8 washers (P) and Qty 2 M8 nylocks (Q) and tighten them with the 13mm combo wrench (W). (FIG5)



Install the tire holder (E) onto the crossbar arm facing the back of the rack as shown. (FIG6)



Using a M5 Hex Wrench, install (2) M6 cap screws (T) into either the end of the crossbar arm as shown. Repeat on 2nd crossbar arm. (FIG7)

**Assembly now complete.
See next page for installation.**



The Trusted Source

Bike Rack Installation:



The handle at the back of the rack is used to fold or unfold the rack. Rotate the handle up in order to allow the rack to fold. Fold the rack flat before installation. The rack has several positions that allow it to fold up when not in use or fold down in order to allow access to the tailgate. (FIG8)

Slide the Bike rack receiver tube into the receiver hitch on your vehicle. Align the



Install this bolt ONLY from the Right Hand Side.

hole in your hitch with the hole in the bike rack. Install the threaded anti-rattle hitch pin (R) from the right hand side along with the lock washer & flat washer. ONLY INSTALL THE BOLT FROM THE RIGHT HAND SIDE. Tighten bolt using the supplied 3/4" wrench. (FIG9)

NOTE: There are two mounting holes on the receiver tube. Use the hole that provides the best clearance for your spare tire. (Spare tire sizes vary)



Now install the Clevis Pin (S) on the opposite side of the bolt as shown. (FIG10)



The Trusted Source

Bike Mounting:



Fold the tire holder arm to the outside of the rack. (FIG11)



Place the bicycle onto the rack with the front wheel in the tire cradle. Fold the tire holding arm up over the front tire of the bike and pull down on the tire holder until it firmly holds the front tire into the tire cradle. (FIG12)



Adjust the rear tire hold down to the desired position and thread the tire down strap through the wheel and secure it to the buckle on the opposite side.



This rack works with road bikes, fat tire bikes and just about everything else in between.

CAUTION

MAKE CERTAIN BICYCLES ARE PROPERLY SECURED BEFORE DRIVING ON PUBLIC ROADS. FAILURE TO DO SO COULD CAUSE PROPERTY DAMAGE OR PERSONAL INJURY.



The Trusted Source

Quadratec® Exclusive Three Year Limited Warranty

Your Quadratec® branded accessories are covered by the following **Limited Warranty** provided exclusively by Quadratec, Inc., 1028 Saunders Lane, West Chester PA 19380.

This **Limited Warranty** is the only warranty made in connection with your purchase. Quadratec neither assumes nor authorizes any vendor, retailer or other person or entity to assume for it any other obligation or liability in connection with this product or **Limited Warranty**. This **Limited Warranty** does not apply and is not cumulative to any accessory or part distributed by Quadratec for which the Manufacturer provides a separate written warranty.

What is Covered: Subject to the terms, exclusions and limitations herein and with respect only to Quadratec branded accessories first sold in the United States, Quadratec warrants to the initial retail purchaser only that your Quadratec accessory shall be free of defects in material and workmanship: **for a period of three (3) years from date of retail purchase.**

This **Limited Warranty** is not assignable and shall terminate upon sale of the vehicle upon which the Quadratec accessory is installed or other transfer third persons.

All other warranties are hereby disclaimed, except to the extent prohibited by applicable law in which case any implied warranty of merchantability or fitness for a particular purpose on this product is limited to 3 year from date of initial retail sale. Quadratec reserves the rights to: (a.) require invoice or other proof your accessory is within the terms of this **Limited Warranty** as a condition of warranty service and, (b.) make future revisions to this product and **Limited Warranty** without prior notice or obligation to upgrade your product.

What is Not Covered:
Your Quadratec **Limited Warranty** does not cover products or parts Quadratec determines to have been damaged by or subjected to:

(a.) installation damage, alteration, modification, combination with other parts, failure to maintain or improper repair or service, (b.) normal wear & tear, cosmetic damage or damage from moisture or water immersion, (c.) Acts of God, accidents, misuse, negligence, inadequate mounting or impact with vehicle(s), obstacles or other aspects of the environment, (d.) theft, vandalism or other intentional damage.

Remedy Limited to Repair/Replacement:
The exclusive remedy provided hereunder shall, upon Quadratec inspection and at Quadratec's option, be either repair or replacement of product or parts (new or refurbished) covered under this **Limited Warranty**. Customers requesting warranty consideration should first contact Quadratec to obtain a RGA number (610-701-3336). All labor, removal, shipping and installation costs are customer's responsibility.

Other Limitations - Exclusion of Damages - Your Rights Under State Law:

In consideration of the purchase price paid, neither Quadratec nor any independent Quadratec distributor/licensee are responsible for any time loss, rental costs, or for any incidental, consequential, punitive or other damages you may have or incur in connection with any part or product purchased. Your exclusive remedy hereunder for covered parts is repair/replacement as described above.

This **Limited Warranty** gives you specific rights. You may also have other rights that vary from state to state. For example, some states do not allow limitations of how long an implied warranty lasts and /or do not allow the exclusion or limitation of incidental or consequential damages, so the limitations and exclusions herein may not apply to you.

©Quadratec, Inc. 2019. All Rights Reserved.
6.10.19 A4 Version

Part #12999.3136



The Trusted Source