

Quadratec® LED Tailgate Undercarriage Light Kit

Installation Manual: for Jeep Wrangler JK 2007-2018

#97109.3291

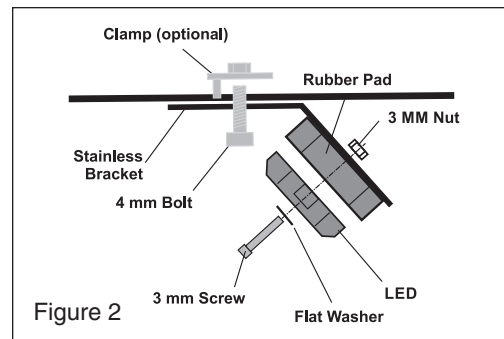
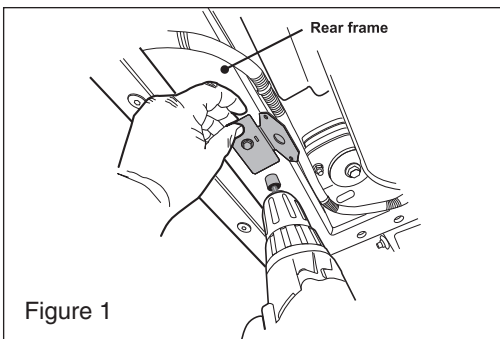


PARTS LIST:

1x LED lamp assembly
1x Rubber Pad
1x Stainless Bracket
1x Self Drilling Tek Screw
1x 8' extension

REQUIRED TOOLS:

Safety Glasses
Power Drill
3/8" socket driver
3 mm Allen wrench
7 mm wrench or socket



Put on safety glasses. Use the included self drilling Tek Screw to attach the bracket onto the rear frame member at the location of your choice. We recommend towards the center of the tailgate on the driver side. **NOTE:** An optional clamp is included for installation in other areas of the vehicle, use as desired (Fig 2).

Once the bracket is installed, assemble the LED lamps onto the Stainless brackets using the included hardware as shown.

Final Steps: Route the wiring from the light as far forward as possible on the vehicle, then use the extension cable to run the wiring to the controller installed under the hood of the vehicle and connect. A wire adapter (97109.3292) will be required if installed with a full 4-door kit. Use zip ties (not included) to attach wires to appropriate points along the undercarriage of the vehicle.

NOTE: This kit is for use with the Quadratec LED Puddle Light Kit (97109.320X) only and will not function without the controller module included in that kit.



The Trusted Source

Quadrtec® Exclusive Three Year Limited Warranty

Your Quadrtec® branded accessories are covered by the following **Limited Warranty** provided exclusively by Quadrtec, Inc., 1028 Saunders Lane, West Chester PA 19380.

This **Limited Warranty** is the only warranty made in connection with your purchase. Quadrtec neither assumes nor authorizes any vendor, retailer or other person or entity to assume for it any other obligation or liability in connection with this product or **Limited Warranty**. This **Limited Warranty** does not apply and is not cumulative to any accessory or part distributed by Quadrtec for which the Manufacturer provides a separate written warranty.

What is Covered: Subject to the terms, exclusions and limitations herein and with respect only to Quadrtec branded accessories first sold in the United States, Quadrtec warrants to the initial retail purchaser only that your Quadrtec accessory shall be free of defects in material and workmanship: **for a period of three (3) years from date of retail purchase.**

This **Limited Warranty** is not assignable and shall terminate upon sale of the vehicle upon which the Quadrtec accessory is installed or other transfer third persons.

All other warranties are hereby disclaimed, except to the extent prohibited by applicable law in which case any implied warranty of merchantability or fitness for a particular purpose on this product is limited to 3 year from date of initial retail sale. Quadrtec reserves the rights to: (a.) require invoice or other proof your accessory is within the terms of this **Limited Warranty** as a condition of warranty service and, (b.) make future revisions to this product and **Limited Warranty** without prior notice or obligation to upgrade your product.

What is Not Covered:

Your Quadrtec **Limited Warranty** does not cover products or parts Quadrtec determines to have been damaged by or subjected to:

(a.) installation damage, alteration, modification, combination with other parts, failure to maintain or improper repair or service, (b.) normal wear & tear, cosmetic damage or damage from moisture or water immersion, (c.) Acts of God, accidents, misuse, negligence, inadequate mounting or impact with vehicle(s), obstacles or other aspects of the environment, (d.) theft, vandalism or other intentional damage.

Remedy Limited to Repair/Replacement:

The exclusive remedy provided hereunder shall, upon Quadrtec inspection and at Quadrtec's option, be either repair or replacement of product or parts (new or refurbished) covered under this Limited Warranty. Customers requesting warranty consideration should first contact Quadrtec to obtain a RGA number (610-701-3336). All labor, removal, shipping and installation costs are customer's responsibility.

Other Limitations - Exclusion of Damages - Your Rights Under State Law:

In consideration of the purchase price paid, neither Quadrtec nor any independent Quadrtec distributor/licensee are responsible for any time loss, rental costs, or for any incidental, consequential, punitive or other damages you may have or incur in connection with any part or product purchased. Your exclusive remedy hereunder for covered parts is repair/replacement as described above.

This **Limited Warranty** gives you specific rights. You may also have other rights that vary from state to state. For example, some states do not allow limitations of how long an implied warranty lasts and /or do not allow the exclusion or limitation of incidental or consequential damages, so the limitations and exclusions herein may not apply to you.

©Quadrtec, Inc. 2018. All Rights Reserved.
4.12.18 LTR Version Part #12999.3100



The Trusted Source