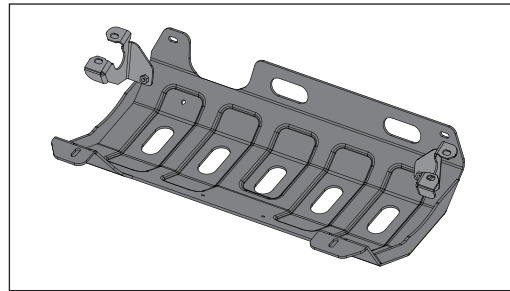


Quadratec® Aluminum Skid Plate for Muffler

Installation Manual for '18-Current Wrangler (JL) 2 or 4 Door
#12500.0207 & #12500.0209



⚠ WARNING ⚠

TO REDUCE RISK OF SERIOUS INJURY OR PROPERTY DAMAGE: READ ALL SAFETY MESSAGES AND UNDERSTAND ALL INSTRUCTIONS AND PROCEDURE *NOTICES* BEFORE ATTEMPTING TO INSTALL OR USE THIS PRODUCT.

⚠ CAUTION ⚠

RISK OF EYE INJURY! SAFETY GLASSES MUST BE WORN AT ALL TIMES WHILE INSTALLING OR MAINTAINING THIS PRODUCT. TORQUE AND RECHECK FASTENERS AFTER 250 MILES AND FREQUENTLY THEREAFTER. DO NOT USE IF DAMAGED.

NOTICE

AN AUXILIARY SKID PLATE ADDS EXTRA PROTECTION ON THE TRAIL, BUT IT CAN NOT GUARANTEE AGAINST ALL POSSIBLE DAMAGE FROM LARGE OBJECTS YOU MAY ENCOUNTER. ALWAYS DRIVE WITH RESPECT FOR OBJECTS AND TERRAIN THAT COULD DAMAGE SENSITIVE PARTS OF THE VEHICLE.



The Trusted Source

A Few Words About Product Safety:

Your Quadratec® Skid Plate is intended to enhance the performance and protection of your off road capable vehicle. Before installation, please review the following safety information and installation recommendations.

Throughout these instructions important safety information is generally preceded by one of three signal words indicating the relative risk of injury, property damage or adverse consequence. **The signal words mean:**

⚠ WARNING ⚠

a hazardous situation which, if not avoided, could result in death or serious injury. You CAN be KILLED or SERIOUSLY HURT if you don't follow instructions.

⚠ CAUTION ⚠

a hazardous situation which, if not avoided, could result in minor or moderate injury. You CAN be moderately HURT and also may suffer property damage if you don't follow instructions.

NOTICE

Careful attention is required to this instruction or operation but does generally not relate to personal injury. Damage to your Quadratec® product or other property may result if you don't follow instructions.

Before You Begin Installation:

Congratulations on your purchase of Quadratec® Skid Plate for your Jeep® Wrangler. This custom fit skid plate has been designed for protection, long life, and great looks. When unpacking, check to make sure all parts are included and not damaged due to shipping.

If any part is missing or broken, please call Customer Service at 800-745-6037 as soon as possible. Thank you again for your purchase and let's start the installation process.

⚠ CAUTION ⚠

READ ALL SAFETY MESSAGES AND ALWAYS WEAR SAFETY GLASSES WHEN WORKING WITH TOOLS.

NOTICE

THIS PRODUCT IS INSTALLED UNDERNEATH THE VEHICLE AND REQUIRES ACCESS TO THE EVAPORATIVE CANISTER ASSEMBLY. WE RECOMMEND USING A VEHICLE LIFT SUCH AS THOSE FOUND IN MOST REPAIR SHOPS TO ACCESS THIS PART OF THE VEHICLE. ALWAYS USE CAUTION WHEN WORKING UNDER YOUR VEHICLE.

WE ALSO RECOMMEND THAT YOU HAVE A HELPER NEARBY AS SOME OF THE STEPS OUTLINED BELOW WILL BE MUCH EASIER WITH THE HELP OF ANOTHER SET OF HANDS.

NOTICE

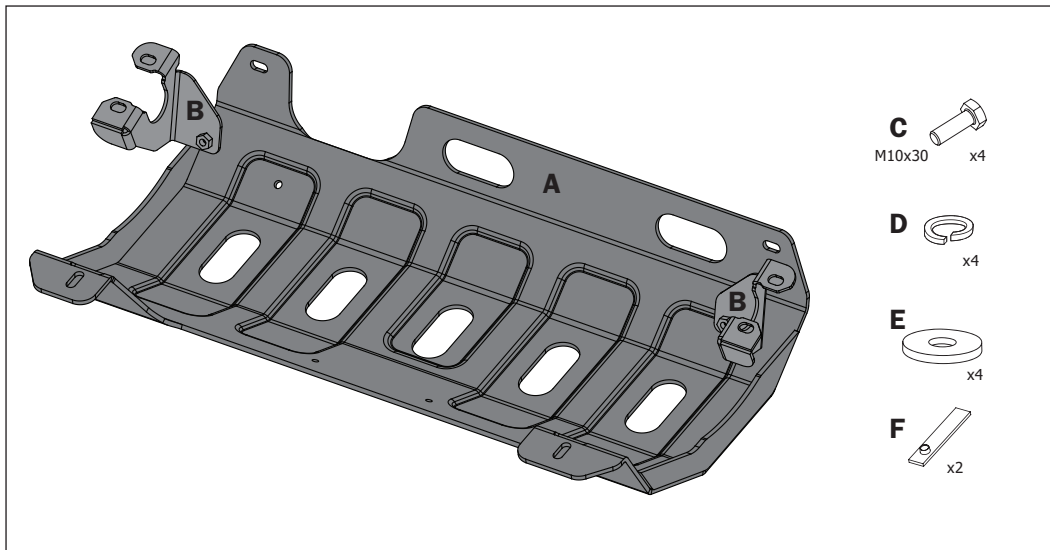
WHILE INSTALLING SKID PLATES, VISUALLY SCAN FOR ANY INTERFERENCE WITH DRIVETRAIN COMPONENTS AND/OR EXHAUST COMPONENTS AND THE SKID PLATE.

IF THERE IS ANY INTERFERENCE, ADJUST THE SKID PLATE ACCORDINGLY TO MAKE SURE ALL COMPONENTS ARE NOT TOUCHING. FAILURE TO DO THIS STEP MAY CAUSE DAMAGE TO THE VEHICLE.



The Trusted Source

Skid Plate Kit Parts & Tools:



REQUIRED TOOLS:

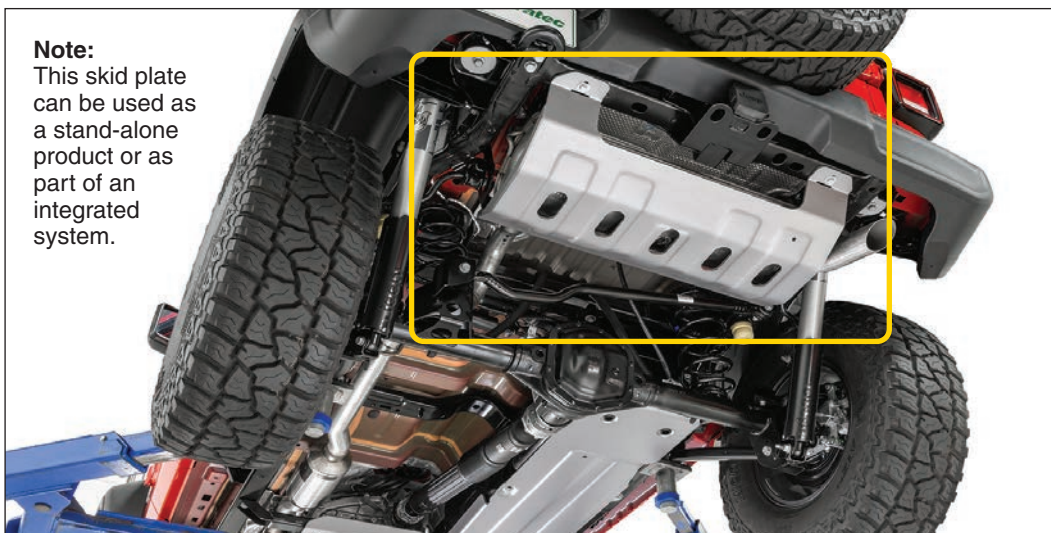
- Safety Glasses
- 15mm Socket
- 17mm Socket
- Ratchet
- Torque Wrench (ft lbs)

KIT CONTENTS LIST:

- A.) Muffler Skid Plate (1)
- B.) Mounting Brackets (2)
- C.) M10 x 30 Bolts (4)
- D.) M10 Lock Washers (4)
- E.) M10 Flat Washers (4)
- F.) M10 Nut Plates (2)

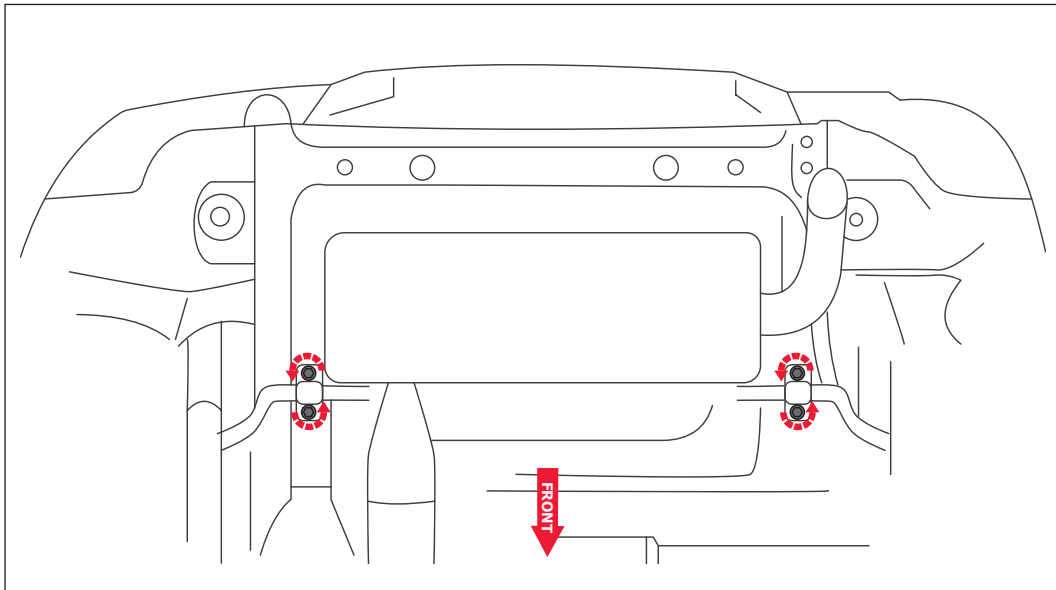
Note:

This skid plate can be used as a stand-alone product or as part of an integrated system.

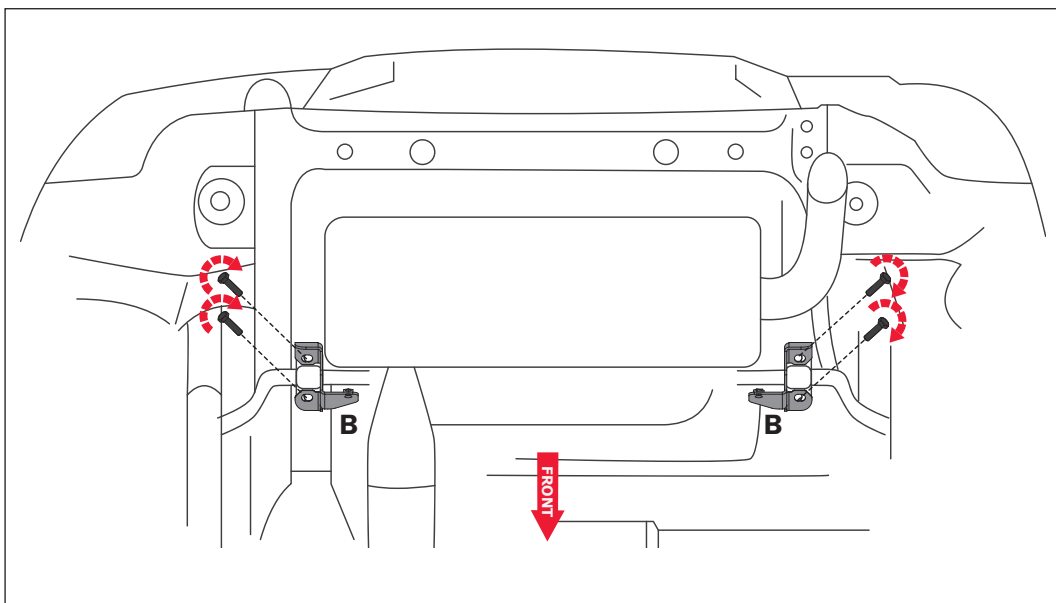


The Trusted Source

Skid Plate Installation:



STEP 1: Put on Safety glasses. Locate the sway bar mounting brackets on either side of the rear frame. Remove the factory mounting bolts with a 15mm socket.

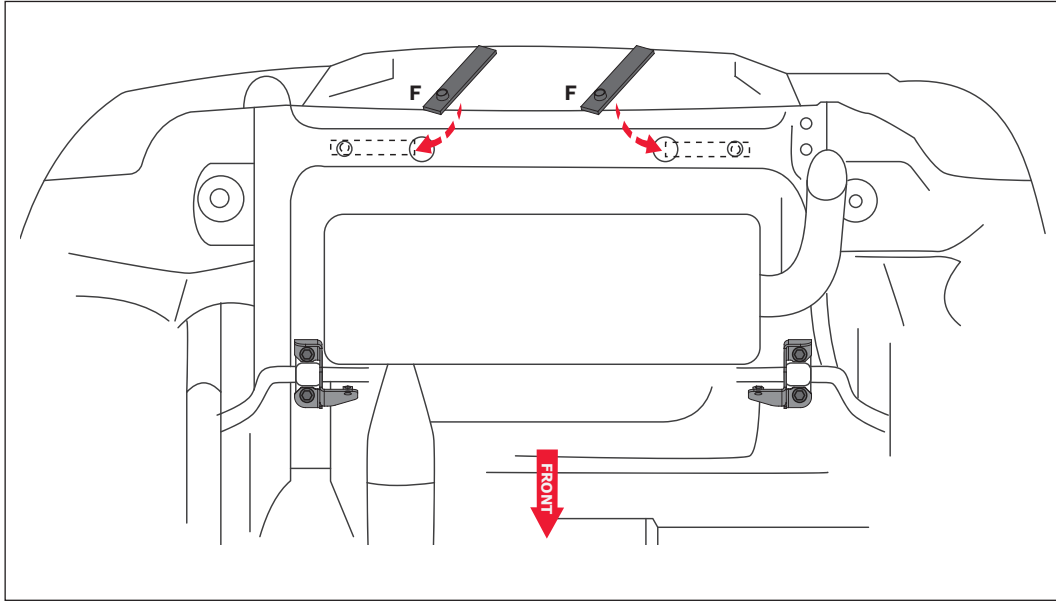


STEP 2: Slide the skid plate mounting brackets underneath the vehicles sway bar brackets as shown. Reinstall the factory bolts through both bracket and tighten with a 15mm socket.

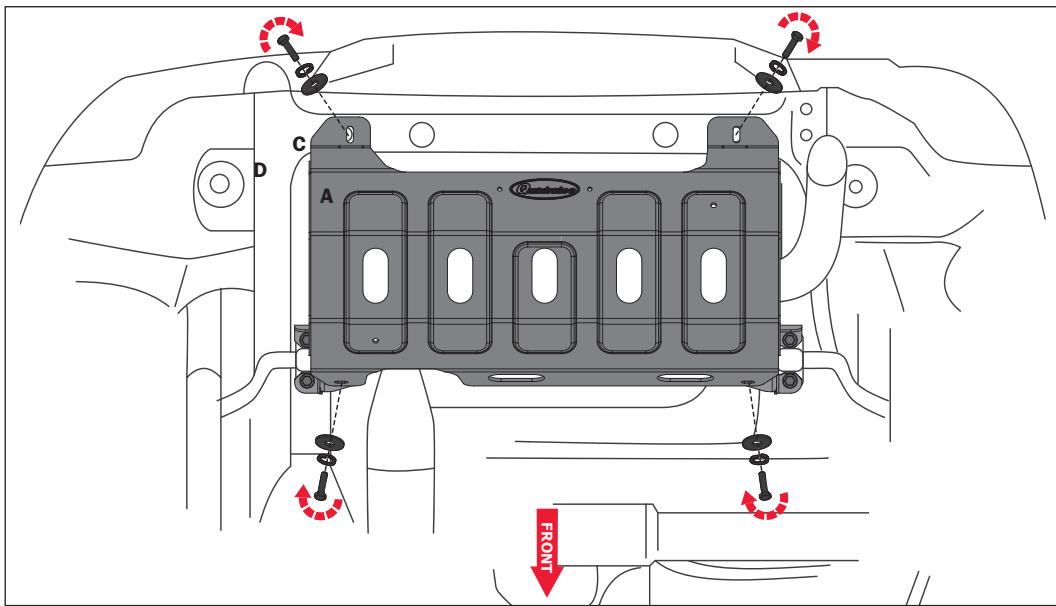


The Trusted Source

Skid Plate Installation:



STEP 3: Slip the M10 nut plates up into the rear frame crossmember as shown and align the threaded holes in the nut plate with the outer holes in the crossmember.

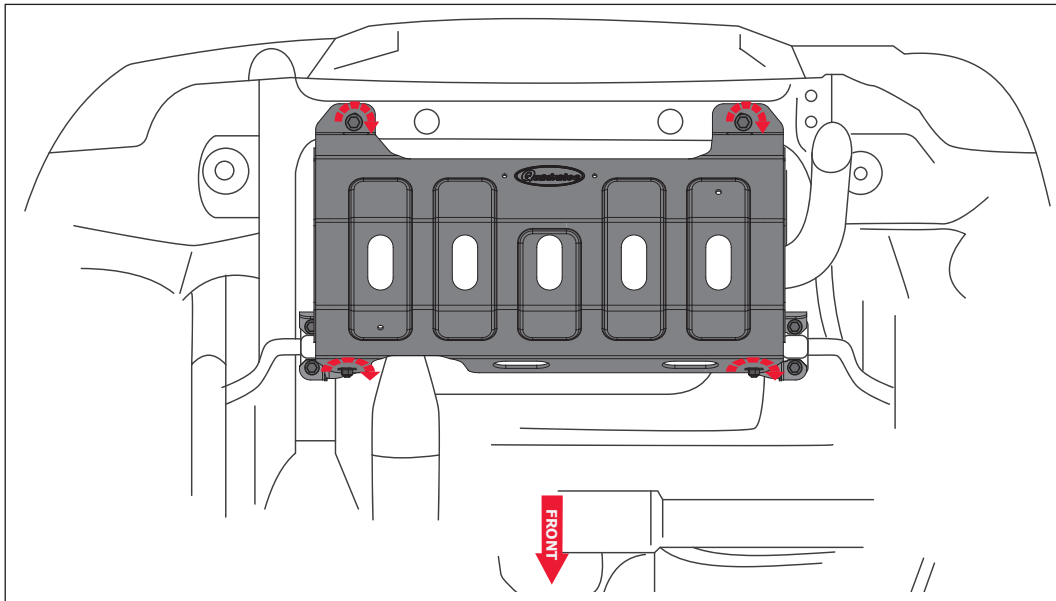


STEP 4: Locate the muffer skid plate as shown and align the mounting holes in the skid plate with the mounting brackets and the nut plates (F) in the rear crossmember. Secure the skid plate in place with (4) M10x30 bolts, (C), lock washers (D), and flat washers (E). Snug but do not fully tighten with a 17mm socket.



The Trusted Source

Skid Plate Installation:



STEP 5: Align the skid plate to your liking and use a torque wrench and 17mm socket to tighten all bolts to 36 ft lbs. Installation is complete.



Installation is complete.



The Trusted Source

Quadratec Aluminum Skid Plate Full Systems:

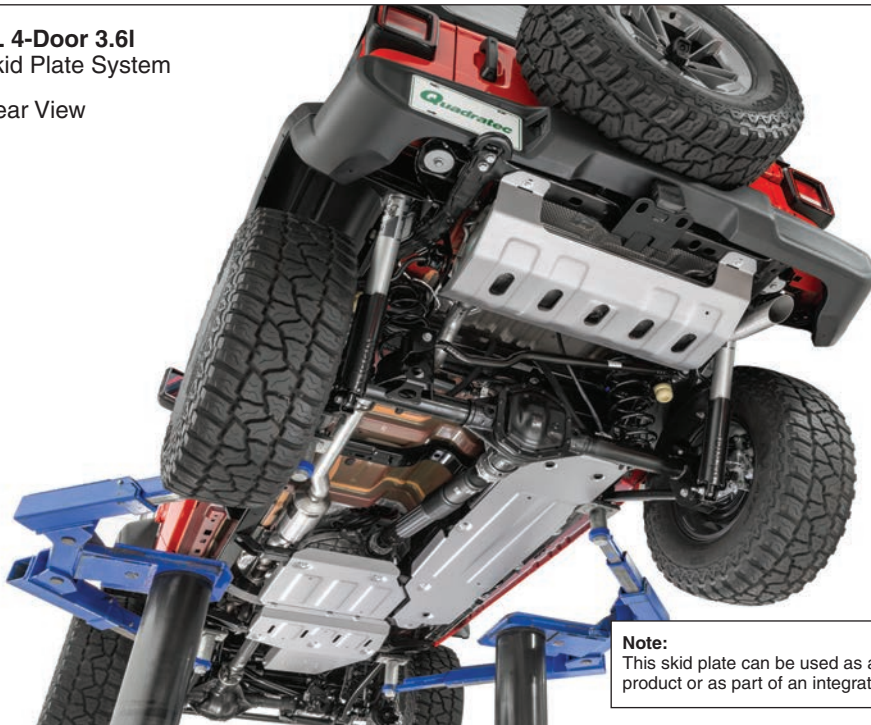
JL 4-Door 3.6l
Skid Plate System



Front View

JL 4-Door 3.6l
Skid Plate System

Rear View



Note:
This skid plate can be used as a stand-alone product or as part of an integrated system.



The Trusted Source

Quadratec® Exclusive Three Year Limited Warranty

Your Quadratec® branded accessories are covered by the following **Limited Warranty** provided exclusively by Quadratec, Inc., 1028 Saunders Lane, West Chester PA 19380.

This **Limited Warranty** is the only warranty made in connection with your purchase. Quadratec neither assumes nor authorizes any vendor, retailer or other person or entity to assume for it any other obligation or liability in connection with this product or **Limited Warranty**. This **Limited Warranty** does not apply and is not cumulative to any accessory or part distributed by Quadratec for which the Manufacturer provides a separate written warranty.

What is Covered: Subject to the terms, exclusions and limitations herein and with respect only to Quadratec branded accessories first sold in the United States, Quadratec warrants to the initial retail purchaser only that your Quadratec accessory shall be free of defects in material and workmanship: **for a period of three (3) years from date of retail purchase.**

This **Limited Warranty** is not assignable and shall terminate upon sale of the vehicle upon which the Quadratec accessory is installed or other transfer third persons.

All other warranties are hereby disclaimed, except to the extent prohibited by applicable law in which case any implied warranty of merchantability or fitness for a particular purpose on this product is limited to 3 year from date of initial retail sale. Quadratec reserves the rights to: (a.) require invoice or other proof your accessory is within the terms of this **Limited Warranty** as a condition of warranty service and, (b.) make future revisions to this product and **Limited Warranty** without prior notice or obligation to upgrade your product.

What is Not Covered:
Your Quadratec **Limited Warranty** does not cover products or parts Quadratec determines to have been damaged by or subjected to:

(a.) installation damage, alteration, modification, combination with other parts, failure to maintain or improper repair or service, (b.) normal wear & tear, cosmetic damage or damage from moisture or water immersion, (c.) Acts of God, accidents, misuse, negligence, inadequate mounting or impact with vehicle(s), obstacles or other aspects of the environment, (d.) theft, vandalism or other intentional damage.

Remedy Limited to Repair/Replacement:
The exclusive remedy provided hereunder shall, upon Quadratec inspection and at option, be either repair or replacement of product or parts (new or refurbished) covered under this **Limited Warranty**. Customers requesting warranty consideration should first contact Quadratec to obtain a RGA number (610-701-3336). All labor, removal, shipping and installation costs are customer's responsibility.

Other Limitations - Exclusion of Damages - Your Rights Under State Law:

In consideration of the purchase price paid, neither Quadratec nor any independent Quadratec distributor/licensee are responsible for any time loss, rental costs, or for any incidental, consequential, punitive or other damages you may have or incur in connection with any part or product purchased. Your exclusive remedy hereunder for covered parts is repair/replacement as described above.

This **Limited Warranty** gives you specific rights. You may also have other rights that vary from state to state. For example, some states do not allow limitations of how long an implied warranty lasts and /or do not allow the exclusion or limitation of incidental or consequential damages, so the limitations and exclusions herein may not apply to you.

©Quadratec, Inc. 2018. All Rights Reserved.
A4 Version 12.17.18

Instructions Part #12999.3116



The Trusted Source