

Quadratec® Modular Winch-Ready Bumper

Installation Manual for 2007 - Current Wrangler (JK)
#12057.0210



⚠ WARNING ⚠

TO REDUCE RISK OF SERIOUS INJURY OR PROPERTY DAMAGE: READ ALL SAFETY MESSAGES AND UNDERSTAND ALL INSTRUCTIONS AND PROCEDURE *NOTICES* BEFORE ATTEMPTING TO INSTALL OR USE THIS PRODUCT.

⚠ WARNING ⚠

MOUNT WINCH USING ONLY APPROVED MOUNTING PLATE. BUMPER/WINCH PLATE NOT INTENDED FOR WINCHES IN EXCESS OF 1000LBS. LOAD LIMITS FOR YOUR BUMPER/WINCH MAY BE LESS DEPENDING ON CONDITION OF YOUR VEHICLE AND ATTACHMENTS. FOLLOW ALL INSTRUCTIONS, LIMITATIONS & WARNINGS WITH YOUR VEHICLE, THIS PRODUCT, YOUR WINCH AND SAFE WINCHING PRACTICES SUPPLEMENT.

⚠ CAUTION ⚠

RISK OF EYE INJURY! SAFETY GLASSES MUST BE WORN AT ALL TIMES WHILE INSTALLING OR MAINTAINING THIS PRODUCT. TORQUE AND RECHECK FASTENERS AFTER 250 MILES AND FREQUENTLY THEREAFTER. INSPECT BUMPER, WINCH AND MOUNT BEFORE USE. DO NOT USE IF DAMAGED.

NOTICE

CHECK STATE AND LOCAL HIGHWAY SAFETY LAWS REGARDING PERMITTED BUMPER TYPES AND HEIGHTS.



The Trusted Source

A Few Words About Product Safety:

Your Quadratec® Modular Front Bumper is intended to enhance the utility and enjoyment of your off road capable vehicle. Before installation, please review the following safety information and installation recommendations.

Throughout these instructions important safety information is generally preceded by one of three signal words indicating the relative risk of injury, property damage or adverse consequence. **The signal words mean:**

⚠ WARNING ⚠	a hazardous situation which, if not avoided, could result in death or serious injury. You CAN be KILLED or SERIOUSLY HURT if you don't follow instructions.
⚠ CAUTION ⚠	a hazardous situation which, if not avoided, could result in minor or moderate injury. You CAN be moderately HURT and also may suffer property damage if you don't follow instructions.
NOTICE	Careful attention is required to this instruction or operation but does generally not relate to personal injury. Damage to your Quadratec® product or other property may result if you don't follow instructions.

Before You Begin Installation:

Congratulations on your purchase of Quadratec® Modular Front Bumper for your Jeep® Wrangler. This custom fit front Bumper has been designed for long life and a great look. Though constructed of only the finest materials, this bumper must be maintained to keep its look while performing under the toughest conditions. Please see page 9 for important care & maintenance tips to keep

your bumper looking like new. When unpacking, check to make sure all parts are included and not damaged due to shipping. If any part is missing or broken, please call Customer Service at 800-745-6037 as soon as possible.

Thank you again for your purchase and let's start the installation process.

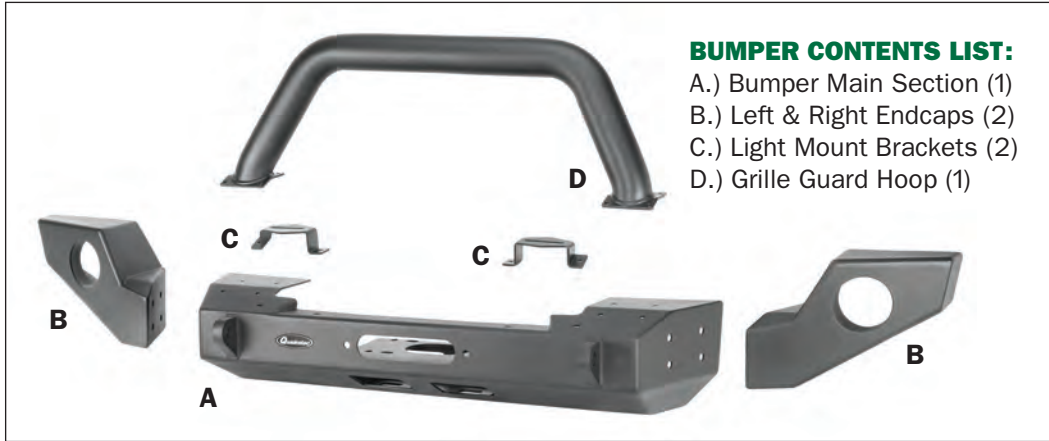
NOTICE	AS YOU UNPACK YOUR FRONT BUMPER, BE CAREFUL NOT TO SCRATCH THE FINISH WITH A KNIFE OR RAZOR. WE SUGGEST PLACING THE UNPACKED BUMPER BACK INTO THE ORIGINAL BOX SO IT DOES NOT GET SCRATCHED BEFORE THE INSTALLATION BEGINS. THIS BUMPER HAS A CUT-OUT FOR A VEHICLE RECOVERY WINCH. THE BUMPER FEATURES AN INTEGRATED WINCH MOUNTING PLATE.
NOTICE	WINCH-READY BUMPERS AND WINCHES ARE HEAVY AND WE STRONGLY SUGGEST THE ASSISTANCE OF AN ABLE-BODIED ASSISTANT DURING LIFTING AND INSTALLATION OF YOUR BUMPER.

⚠ CAUTION ⚠	READ ALL SAFETY MESSAGES AND ALWAYS WEAR SAFETY GLASSES WHEN WORKING WITH TOOLS.
--------------------	---



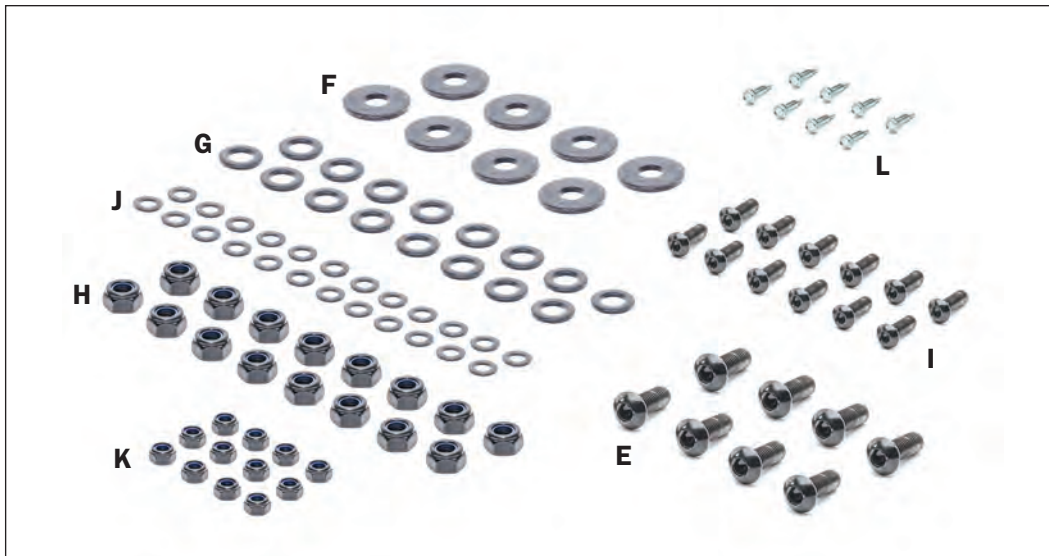
The Trusted Source

Modular JK Front Bumper Parts & Tools:



BUMPER CONTENTS LIST:

- A.) Bumper Main Section (1)
- B.) Left & Right Endcaps (2)
- C.) Light Mount Brackets (2)
- D.) Grille Guard Hoop (1)



REQUIRED TOOLS:

- Safety Glasses
- 5mm & 8mm Hex Keys
- 13mm, 18mm, 19mm Socket & Extension
- 1/4" Socket or Nut Driver
- Ratchet Wrench
- Phillips Screwdriver
- Forked Clip/Trim Removal Tool
- Torque Wrench (ft lbs)

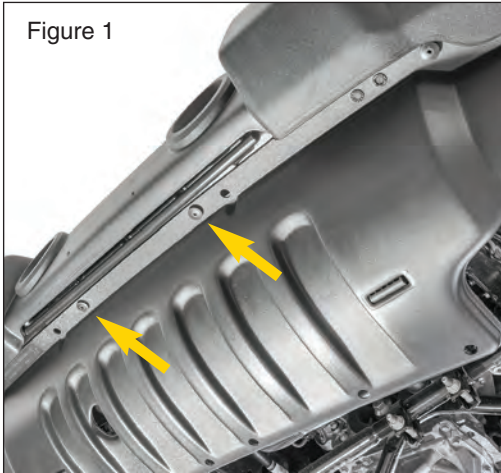
HARDWARE CONTENTS LIST:

- E.) M12 Button Head Bolts (8)
- F.) M12 Large Diameter Washers (8)
- G.) M12 Small Diameter Washers (16)
- H.) M12 Nylock Nuts (16)
- I.) M8 Button Head Bolts (12)
- J.) M8 Flat Washers (24)
- K.) M8 Nylock Nuts (12)
- L.) M4 Self Tapping Screws (8)

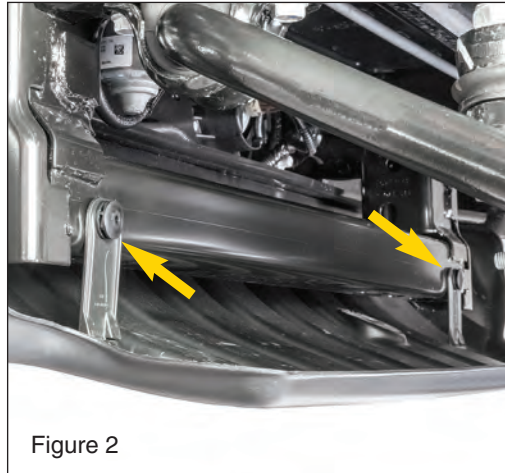


The Trusted Source

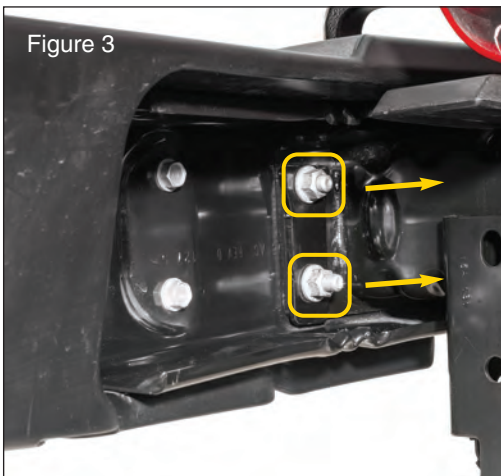
Modular JK Front Bumper Installation Prep:



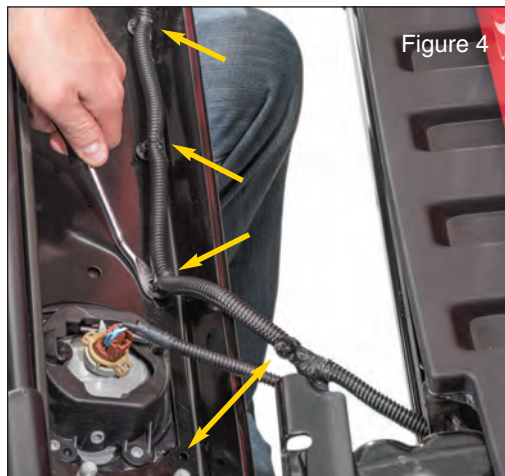
Put on safety glasses. Start by removing the factory splash guard. Remove the 4 plastic push rivets on the underside of the bumper. (FIG1)



Next, remove the two plastic push rivets on the backside. (FIG2) Remove the splash guard. Note: This will not be reused with your Quadratec bumper.



Next remove the factory bumper. Using an 18mm socket remove the 8 bumper retaining bolts. There are 2 on the inside and outside of each frame rail. (FIG3) Carefully remove the bumper from the frame rails.



Be careful not to damage the fog light harness. Use a forked pry tool to remove the harness retaining clips from the backside of the bumper. (FIG4)

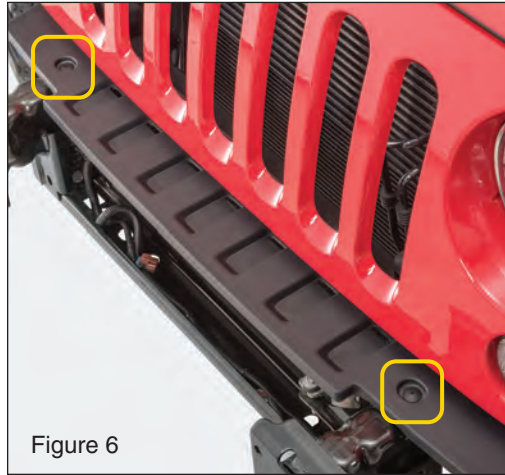


The Trusted Source

Modular JK Front Bumper Installation Prep:



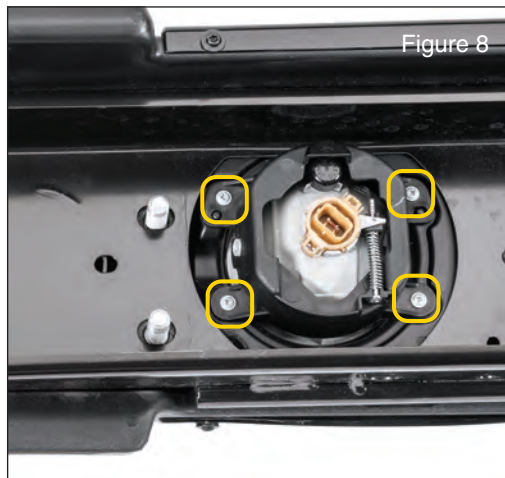
Disconnect the factory wiring harness from the bumper mounted fog lights. (FIG5)



Next, remove the Factory frame guard. Locate the plastic screw rivets on either side. (FIG6)



Remove the plastic screw rivets with a phillips screwdriver. (FIG7)

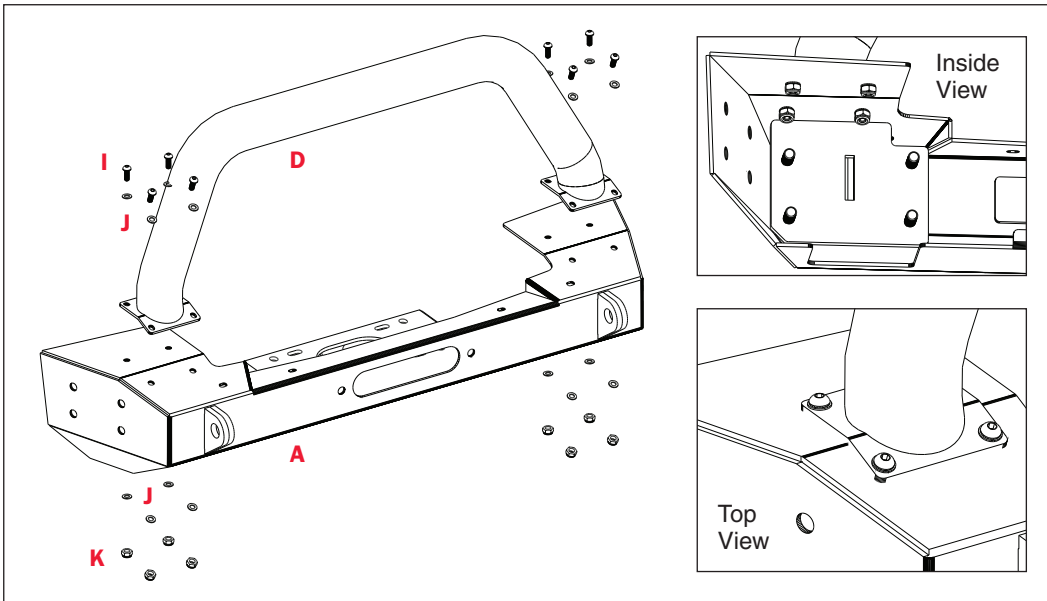


Now remove the factory fog lights from the factory bumper with a phillips screwdriver. (FIG8) Save factory fog lights for installation into the new bumper.

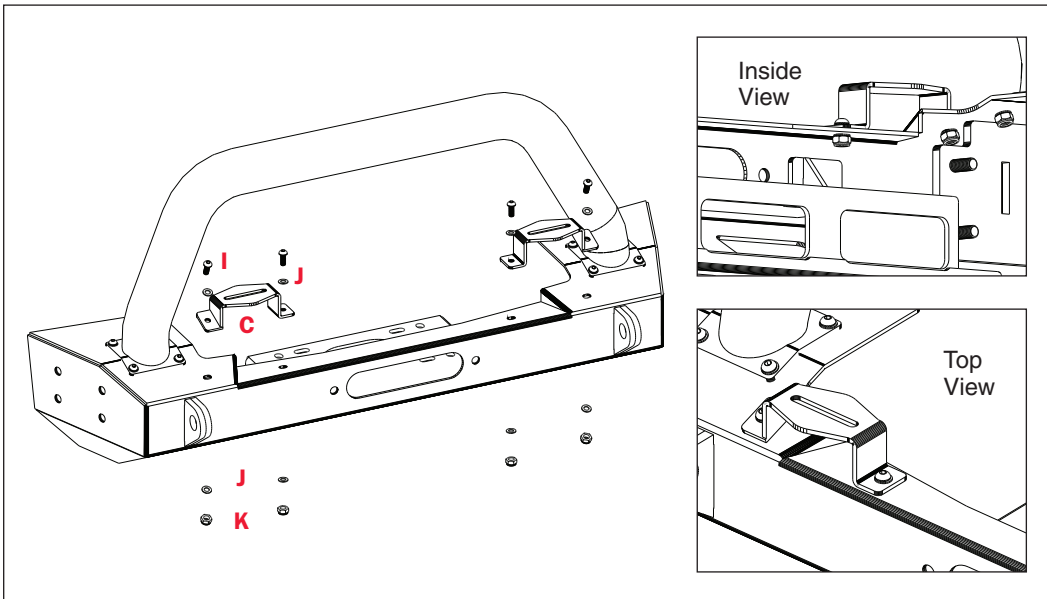


The Trusted Source

Modular JK Front Bumper Assembly:



STEP 1: Attach the Grill Guard Hoop (D) to the main bumper (A) using (8) M8 button headed bolts (I), (16) flat washers (J) (above & below the main bumper housing), and (8) M8 nylock nuts (K) using a 5mm hex key, 13mm socket & ratchet.

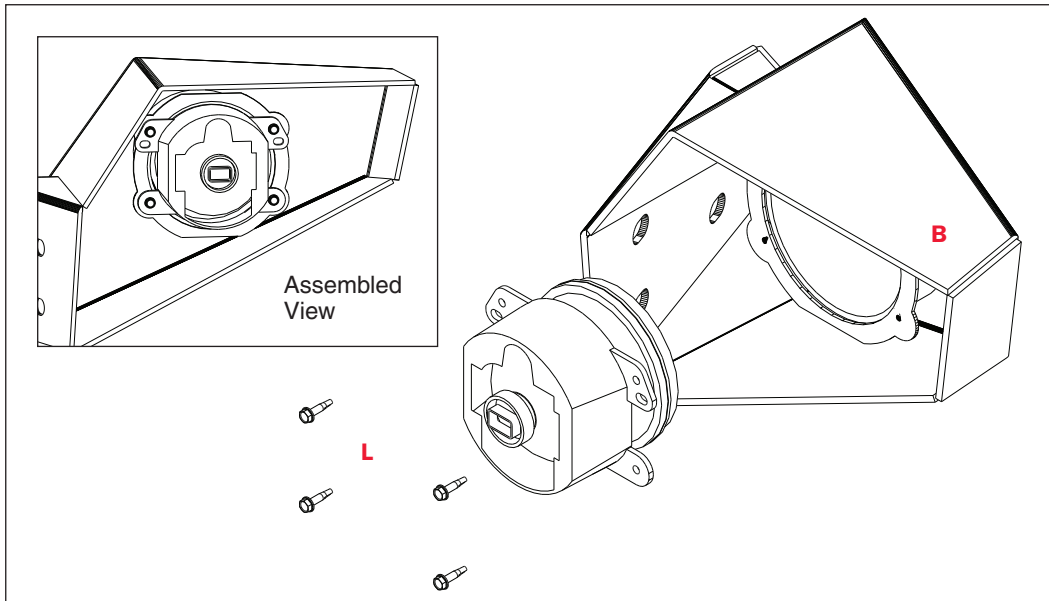


STEP 2: Attach the light mounting brackets (C) to the main bumper by using (4) M8 button headed bolts (J), (8) flat washers (above & below the main bumper housing) and (4) M8 nylock nuts (K) using a 5mm hex key and a 13mm socket & ratchet. If you prefer not to install the light mounting bracket the M8 button head screws can be used to cover the mounting holes in the bumper.

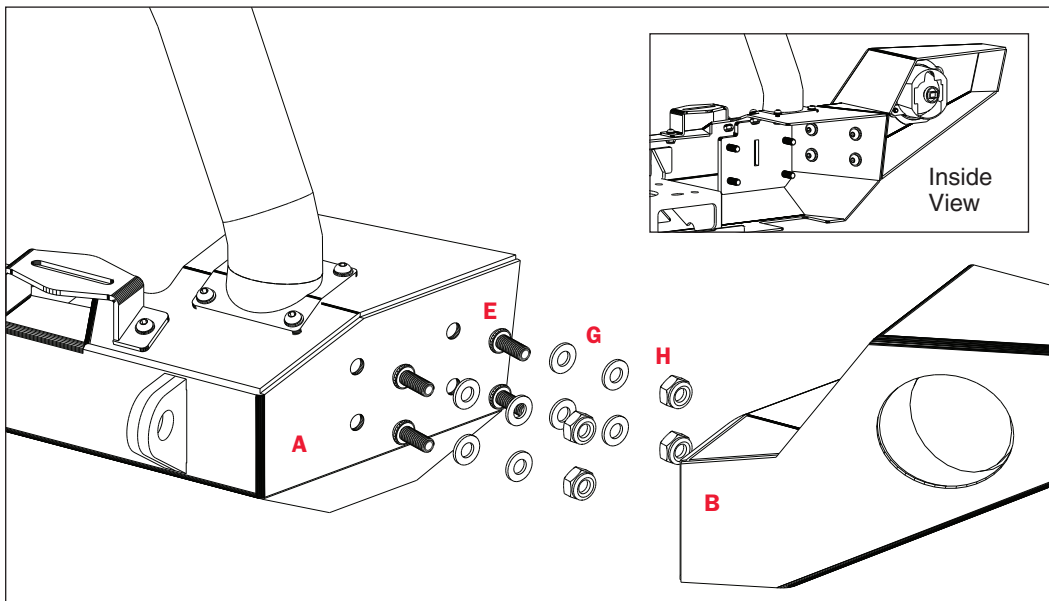


The Trusted Source

Modular JK Front Bumper Assembly:



STEP 3: Install the Factory JK fog lights or optional Quadratec LED fog lights into the fog light mounts in the Left and Right bumper end caps (B). Secure each fog light using (4) M4 Self tapping screws (L) and a 1/4" socket or nut driver.

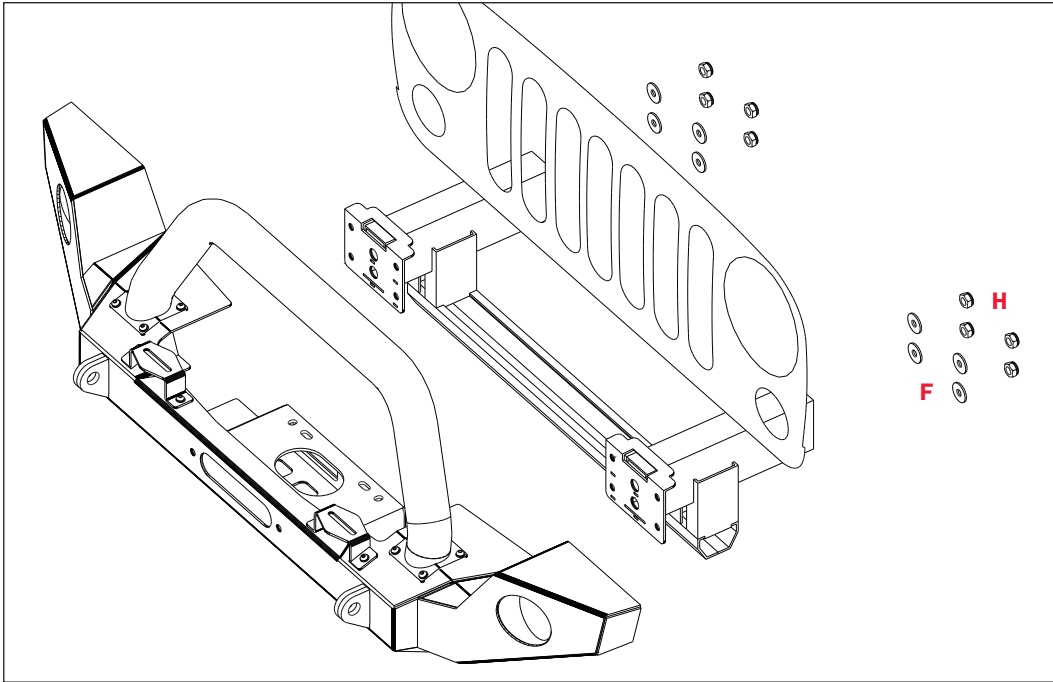


STEP 4: Attach the bumper end caps (B) to the main bumper (A) using (4) M12 button head fasteners (E), (8) Small diameter M12 flat washers (G) and (4) M12 nylocks (H) per side using a 8mm hex key and a 19mm socket. Snug the fasteners at first and align the endcap with the main bumper before you fully tighten. If you choose to run the bumper in the "Stubby" configuration (without the end caps) you can use the M12 button head screws to cover the mounting holes.



The Trusted Source

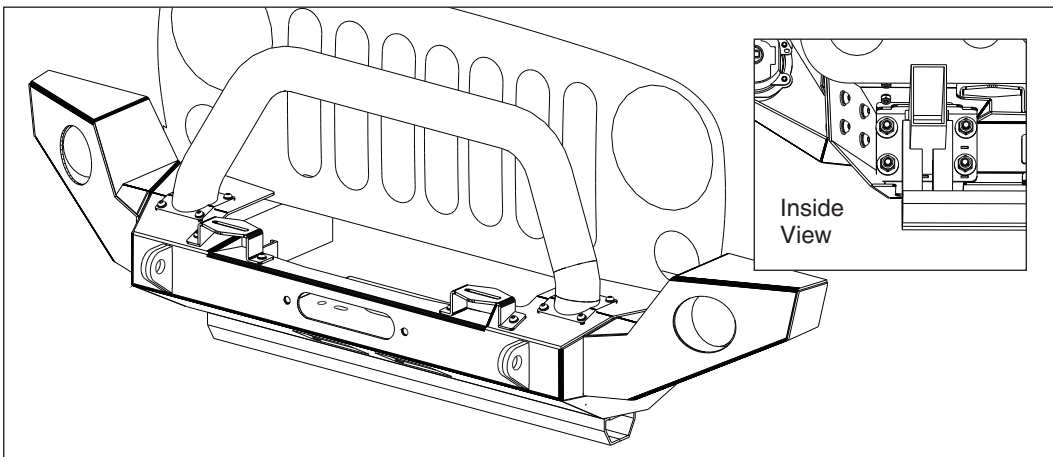
Modular JK Front Bumper Assembly:



STEP 5: With the help of a friend lift the bumper into position and pass the mounting studs on the bumper through holes on the vehicle frame horns. Secure the bumper in place with the (8) Large diameter flat washers (F) and (8) M12 nylock nuts (H). Tighten with a 19mm socket and torque to 66 ft lbs.

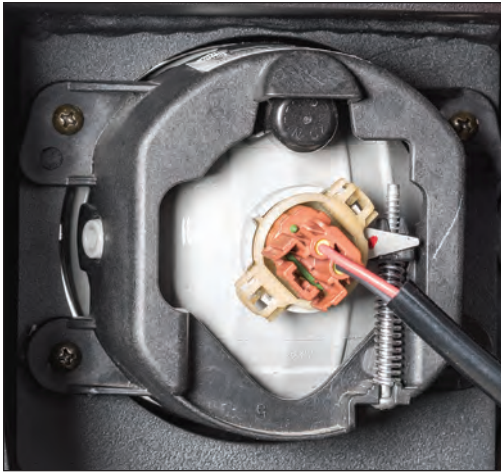
NOTICE

THIS BUMPER HAS A CUT-OUT FOR A VEHICLE RECOVERY WINCH. THE BUMPER FEATURES AN INTEGRATED WINCH MOUNTING PLATE. WINCH-READY BUMPERS AND WINCHES ARE HEAVY AND WE STRONGLY SUGGEST THE ASSISTANCE OF AN ABLE-BODIED ASSISTANT DURING LIFTING AND INSTALLATION OF YOUR BUMPER.



The Trusted Source

Modular JK Front Bumper Assembly:



Connect your fog lights to your vehicles harness. Factory Fog lights will require a Quadratec extension harness sold separately. Items #97109.0914 ('07-'10) or #97109.0915 (2011-Current).

Quadratec LED Foglights come with auxiliary adapter harnesses.

⚠ WARNING ⚠

MOUNT RECOVERY WINCH USING ONLY APPROVED MOUNTING HARDWARE. BUMPER/WINCH PLATE NOT INTENDED FOR WINCHES IN EXCESS OF 10000LBS. LOAD LIMITS FOR YOUR BUMPER/WINCH MAY BE LESS DEPENDING ON CONDITION OF YOUR VEHICLE AND ATTACHMENTS. FOLLOW ALL INSTRUCTIONS, LIMITATIONS AND WARNINGS WITH YOUR VEHICLE, THIS PRODUCT, YOUR WINCH AND SAFE WINCHING PRACTICES SUPPLEMENT MANUAL.



Winch Installation:
Install your fairlead and winch to the bumper according your winch manufacturer instructions.

See the full line of Quadratec Recovery Winches at www.Quadratec.com



The Trusted Source

Bumper Care:

Your Bumper has been designed and manufactured to provide years of use. However, like any product, general maintenance is required to keep it looking new.

Since the bumper is located on the front of the vehicle, it is subject to potential rock chips and other debris potentially causing portions of the paint to chip off. We recommend using a textured or gloss black spray paint sprayed on a piece of cardboard and Q-Tip to gently fill in these chips. This will prevent any rust from forming.

On all bumpers there is a chance of some surface rust showing over time due to metal particles being embedded in the paint. This surface rust is easily removed by a non-abrasive cleaner/polish and a soft bristle brush (not a metal brush!).

For bumpers with a textured finish, wash only with soapy water and avoid other waxes and polishes.



The Trusted Source

JK Modular Front Bumper Configurations:



With Endcaps (Full Width) Configuration



Without Endcaps (Stubby) Configuration



The Trusted Source

Quadratec® Exclusive Three Year Limited Warranty

Your Quadratec® branded accessories are covered by the following **Limited Warranty** provided exclusively by Quadratec, Inc., 1028 Saunders Lane, West Chester PA 19380.

This **Limited Warranty** is the only warranty made in connection with your purchase. Quadratec neither assumes nor authorizes any vendor, retailer or other person or entity to assume for it any other obligation or liability in connection with this product or **Limited Warranty**. This **Limited Warranty** does not apply and is not cumulative to any accessory or part distributed by Quadratec for which the Manufacturer provides a separate written warranty.

What is Covered: Subject to the terms, exclusions and limitations herein and with respect only to Quadratec branded accessories first sold in the United States, Quadratec warrants to the initial retail purchaser only that your Quadratec accessory shall be free of defects in material and workmanship: **for a period of three (3) years from date of retail purchase.**

This **Limited Warranty** is not assignable and shall terminate upon sale of the vehicle upon which the Quadratec accessory is installed or other transfer third persons.

All other warranties are hereby disclaimed, except to the extent prohibited by applicable law in which case any implied warranty of merchantability or fitness for a particular purpose on this product is limited to 3 year from date of initial retail sale. Quadratec reserves the rights to: (a.) require invoice or other proof your accessory is within the terms of this **Limited Warranty** as a condition of warranty service and, (b.) make future revisions to this product and **Limited Warranty** without prior notice or obligation to upgrade your product.

What is Not Covered:
Your Quadratec **Limited Warranty** does not cover products or parts Quadratec determines to have been damaged by or subjected to:

(a.) installation damage, alteration, modification, combination with other parts, failure to maintain or improper repair or service, (b.) normal wear & tear, cosmetic damage or damage from moisture or water immersion, (c.) Acts of God, accidents, misuse, negligence, inadequate mounting or impact with vehicle(s), obstacles or other aspects of the environment, (d.) theft, vandalism or other intentional damage.

Remedy Limited to Repair/Replacement:
The exclusive remedy provided hereunder shall, upon Quadratec inspection and at Quadratec's option, be either repair or replacement of product or parts (new or refurbished) covered under this **Limited Warranty**. Customers requesting warranty consideration should first contact Quadratec to obtain a RGA number (610-701-3336). All labor, removal, shipping and installation costs are customer's responsibility.

Other Limitations - Exclusion of Damages - Your Rights Under State Law:

In consideration of the purchase price paid, neither Quadratec nor any independent Quadratec distributor/licensee are responsible for any time loss, rental costs, or for any incidental, consequential, punitive or other damages you may have or incur in connection with any part or product purchased. Your exclusive remedy hereunder for covered parts is repair/replacement as described above.

This **Limited Warranty** gives you specific rights. You may also have other rights that vary from state to state. For example, some states do not allow limitations of how long an implied warranty lasts and /or do not allow the exclusion or limitation of incidental or consequential damages, so the limitations and exclusions herein may not apply to you.

©Quadratec, Inc. 2017. All Rights Reserved.
A4 Version 6.5.17

Instructions Part #12999.3074



The Trusted Source