

# QuadraTop® Fabric Replacement Soft Top

Installation Manual for '97-'06 (TJ) Wrangler

#11000.0XXX



## **⚠ WARNING ⚠**

Loss of vehicle control involves risk of death or serious injury, particularly to parts of your body not restrained within vehicle. This product is intended for weather protection only and should not be relied upon to contain occupants in the event of an accident or to protect from either ground contact or falling objects. To reduce risk of accident or injury:

- **ALWAYS WEAR SEATBELTS**
- Always keep head, arms & body parts within vehicle.
- Fully secure or stow the soft top before driving according to instructions. Never try to latch or fold soft top while driving. Do not use if damaged or worn.
- Read and follow all instructions & warnings accompanying this product, in your vehicle owner's manual and Off Road Driving Supplement.

## **⚠ CAUTION ⚠**

**RISK OF EYE INJURY.** Safety glasses should be worn at all times while installing or maintaining this product.

### **PARTS LIST:**

FABRIC TOP - QTY 1  
QUARTER WINDOW, RIGHT - QTY 1  
QUARTER WINDOW, LEFT - QTY 1  
REAR WINDOW - QTY 1  
*IF APPLICABLE:*  
UPPER DOOR SKIN, RIGHT - QTY 1  
UPPER DOOR SKIN, LEFT - QTY 1

### **REQUIRED TOOLS:**

SAFETY GLASSES  
SHOE HORN OR LARGE SPOON  
RAZOR KNIFE  
PHILLIPS SCREWDRIVER  
SOFT BEACH SIZE TOWEL



**The Trusted Source**

**Important Safety Information:**

Your QuadraTop® soft top is intended to increase the utility and enjoyment of your off-road capable vehicle. Before installation, please take a moment to review the following safety information

and installation instructions. Important safety information is generally preceded by one of three signal words indicating the relative risk of injury. The signal words mean:

<b>⚠ WARNING ⚠</b>	a hazardous situation which, if not avoided, could result in death or serious injury. You <b>CAN</b> be <b>KILLED</b> or <b>SERIOUSLY HURT</b> if you don't follow instructions.
<b>⚠ CAUTION ⚠</b>	a hazardous situation which, if not avoided, could result in minor or moderate injury. You <b>CAN</b> be moderately <b>HURT</b> and also may suffer property damage if you don't follow instructions.
<b>NOTICE</b>	Careful attention is required to this instruction or operation but does generally not relate to personal injury. Damage to your Quadratec® product or other property may result if you don't follow instructions.

**Before You Begin Soft Top Installation:**

Congratulations on your purchase of the QuadraTop! This high quality soft top is designed to provide years of protection from whatever nature can throw at you! We have used only the finest materials in creating this soft top but like any product that is exposed to the elements, there is some general maintenance that is required to keep your QuadraTop looking like new. Please see page 11 for these important maintenance tips as well as page 10 for available hardware components that may have been lost or worn over the years.

Thank you again for your purchase and let's start the installation process!

When unpacking, check to make sure all parts are included. If any part is missing or broken, please call Quadratec Customer Service at 800-745-6037 as soon as possible.

**Important:** Make sure you become familiar with the installation process of this top by reading the following instruction sheet thoroughly.

<b>NOTICE</b>	This product is designed to fit over your original factory soft top hardware and factory soft upper metal door frames. Please see the image below to make sure you have the correct hardware for this top, and if applicable, factory upper door frames.
---------------	--



**Important:** Existing soft top hardware required to install this top. Check to make sure your hardware looks like the picture to the left.



**The Trusted Source**

## Pre-installation & Initial Steps:

### NOTICE

For a smooth fit and ease of installation, this top should be installed at temperatures above 72 degrees. Below this temperature, the fabric may contract an inch or more making it difficult to install. We highly recommend taking the top out of the package and letting it sit inside a warm place or direct sunlight for 1-2 hours before you install the top. When warm, this top will install quickly.

Please also note that it is normal for fabric to contract and wrinkle when stored in the shipping carton. In a few days the fabric will relax and wrinkles will disappear.



### Step 1: Remove any & all Pre-Existing Soft Top Fabric

Put on safety glasses. After verifying that you have the correct hardware, remove the existing soft top from the vehicle. This will include removing the existing soft top fabric from the front windshield header. This will require the use of a Phillips head screw driver. To remove the fabric from the front header, fold the top completely down to the rear



of the vehicle (see Fig1). With the tailgate open, unscrew all header screws (8 or 14 screws depending on model year) and two corner screws (see Fig2). Save these screws!

Once the soft top is removed, inspect the hardware to make sure no parts are bent or missing. Once it is determined that the hardware is correct and not damaged, proceed to step two.



### Step 2A: Install Soft Top Fabric to the Windshield Header

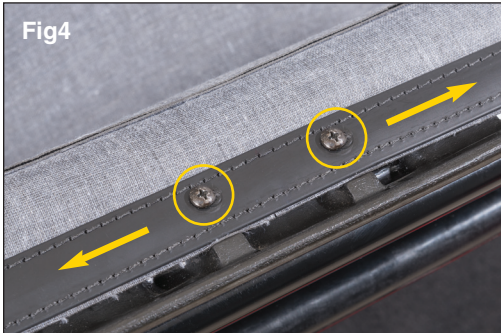
With the Front header all the way folded down towards the rear of the vehicle and the rear tailgate open, lay the soft top fabric inside the vehicle, backing side up, with the header plastic strip facing up on top of the windshield header. See Fig3.

For the rest of Step 2, please see next page.



The Trusted Source

**Soft Top Installation:**



**Step 2B: Install Soft Top Fabric to the Windshield Header (Cont.)**

Locate the center hole or two center holes on the plastic strip and secure the center of plastic header using the screw(s) that were removed in step one. See Fig 4. Proceed to install the remaining seven or thirteen header screws



(depending on model year) along the plastic header lining them up with the holes on the front header itself. Lift up the header and wrap the corner pockets around the ends of the front Header lining up the corner screws with the corner holes in the header. Install the two corner screws (see Fig 5).



**Step 3: Attach Fabric to Rear Bows**

Raise the header and bow assembly (Fig 6) toward the windshield.

Inside the top, snap the fabric to the rear bow (six snaps). See Figs 7, 8 & 9.



**The Trusted Source**

## Soft Top Installation:



### Step 4: Secure The Windshield Header to the Windshield

As shown in Figs 10, 11 and 12, close the header latches to secure the front of the top to the windshield. The front hook should attach into the slot on the windshield and then close over the hook so it lays flat against the windshield frame.

### **CAUTION**

The leading edge of the soft top must be secured to prevent the loss of the top at speed. Failure to secure the top may cause vehicle damage and/or bodily harm. Latches must be fully closed and free of mud and other contamination. Do not use top if either latch is damaged.

### Step 5: Secure The Rear Corners

With the front windshield header attached to the windshield and the bows in the full up-right position, center the center bow in the hook and loop flap inside the top. **DO NOT** fasten the center bow flap at this time. Pull down gently on the rear bow and work the plastic corners of the top into the retainer on the vehicle. See Figs 13, 14 and 15. Repeat on the other corner.



The Trusted Source

**Soft Top Installation:**



**Step 6: Secure Center Bow Flap**  
*Wrap the hook and loop flap inside the top around the center bow and then fasten it to itself. See Figs 16 & 17.*



**Step 7: Attach Quarter Panel Zippers**  
*Locate the left and right quarter panels and orient them with the zipper along the top facing the rear of the panel. See Fig18. Start the zipper at the front top corner of the quarter window just behind the front door. See Fig19.*



*While holding the end of the zipper, close the zipper slider 10"-12" towards the rear of the vehicle along the top side of the quarter panel. See Fig20.*

**NOTICE**

**When removing side quarter panels make sure the zippers are completely disengaged. Failure to disengage zippers will destroy your zippers causing the side panels to be rendered useless.**



**The Trusted Source**

**Soft Top Installation:**



**Step 8: Secure Rear Quarter Windows**

*Roll the plastic retaining strip along the front of the quarter window into the channel of the door surround on the vehicle. See Fig21. Then as shown in Fig22, start at the front or rear of the vehicle and roll the plastic retaining strip along the bottom of the quarter*

*window into the retainer on the vehicle. Zip down the rear quarter window zipper all the way down to the bottom of the rear quarter window. See Figs 23 & 24. Repeat steps 7 and 8 on the other side of the vehicle.*



**Step 9: Secure Top Above Doors**

*Locate the two plastic strips sewn to the sides of the top above each door. Starting with the front strips, slip the strips into the channel in the door surround above the door opening. See Figs 25, 26 and 27. Repeat on the other side of the vehicle.*



**The Trusted Source**

## Soft Top Installation:



### Step 10: Install The Tailgate Bar to the Rear Curtain

Remove the rear window from the packaging and lay it flat on a soft towel backing side up. Locate the factory tailgate bar. Slide the "C" shaped channel onto the tube sewn into the rear window with the round seal down. See Fig28 for correct alignment. Slide the tailgate bar all the way across the rear curtain.



### Step 11: Install The Tailgate Channel onto the Vehicle

Open the rear tailgate. As shown in Fig29, insert/roll the tailgate bar into the mounts on each side of the tailgate with the vinyl side of the rear curtain facing the rear of the vehicle.



### Step 12: Engage Rear Window Zippers

With the tailgate bar installed, pull the zipper heads as far down as possible and line up the zippers on the rear window with the receiving zipper on the top (see Fig30). Once the zipper is lined up and engaged, start the top slider by about 1/2"-1". Then, while holding the



top of the window with one hand, close the zipper with the other hand. See Fig31. Close the zipper completely all the way around the window. Make sure the tailgate bar is centered in the retaining brackets before proceeding to step 13.

## NOTICE

The rear window zipper is sandwiched between layers of fabric in the corners. Be careful not to catch extra fabric in the zipper while zipping the window up.



The Trusted Source



**Soft Top Installation:**



**Step 13: Install (2) Rear Window Flaps**  
 Locate the flaps on the top located at the bottom of the rear curtain, just outside of the tailgate. Pull down on these flaps and hook the plastic retaining strip



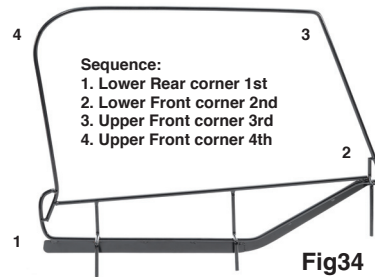
into the tailgate bar retainer. See Figs 32 & 33.

**The Soft top portion of the installation is now complete.**

**Steps for Soft Doors and Soft Door Fabric:**

**Step 14: Remove Old Upper Door Fabric from your Existing Door Frames**

Use a razor knife to carefully cut the stitches on the upper door frame fabric and remove them from the metal door frame. See important warning below:



**⚠ WARNING ⚠**

**WHEN USING A RAZOR KNIFE, BE SURE TO KEEP HANDS AND FINGERS SAFELY AWAY FROM KNIFE BLADE. USE EXTREME CAUTION AS SERIOUS INJURY CAN OCCUR.**



**Step 15A: Start Fabric on Door Frames**

Lay a large towel on the ground and place the upper door skin on the towel to prevent scratching. Un-zip the new door skin window and undo all hook and loop fasteners on the door skin.

**IMPORTANT:** See Fig34 for the installation sequence on installing the door skin to the door frame. Place the metal frame gently into the top lower rear corner "pocket". See Fig35.

**NOTICE**

**Door covers are designed to fit very tight on the door frame. We recommended using a shoe horn or large spoon to help work the corners of the cover over the frame without tearing the fabric. Do not pull on weatherstrip to assist in getting the door cover on door frame. This will tear weatherstrip and door will not seal properly.**



**The Trusted Source**

### Steps for Soft Doors and Soft Door Fabric:



Fig36



Fig37



Fig38

#### Step 15B: Install Fabric on Door Frames

Next, work the lower front corner of the door frame into the pocket of the cover (Fig36). Then work the upper front corner of the frame into the cover (Fig37). Finally, work the upper rear corner of the frame into the cover (Fig38).

*NOTE:* the frame should fit in-between the hook and loop flaps, not between

the zipper and the flaps. With all four corners inserted into the fabric pockets, secure the final hook and loop strip above the door pins. Note that this will take some pulling and will over time loosen up making it easier to install.

**Your Fabric Replacement Soft top & Door Skin installation is now complete!**

#### **⚠ WARNING ⚠**

These Door skins are designed to fit over your factory supplied door frames and will only provide protection from the elements. Do not rely on these soft upper doors to contain the occupants within the vehicle or to protect against injury during an accident.

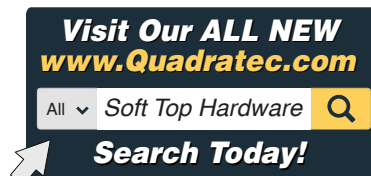
**WEAR SEAT BELTS AT ALL TIMES.**

### Replacement Hardware & Soft Top Accessories available at [Quadratic.com](http://Quadratic.com)

Now that you have reviewed this set of instructions, and looked at your original equipment hardware, you may have noticed that some of your original top hardware is missing or damaged.

Quadratic offers a full assortment of original equipment hardware and storage solutions to keep your top looking new and performing at its peak. The following parts and current pricing are available at [Quadratic.com](http://Quadratic.com)

Don't see what you need on the list?  
Call for Expert Advice at 800-745-5337



- > Complete Bow Assemblies: #11132.95XX
- > Soft Top Emergency Repair Kit: #91083.4201
- > Upper Door Frame Pairs: #11132.9721
- > Zipper Slick Zipper Lubricant: #91083.4200
- > Soft Top Cleaner & Protectant: #91083.110X
- > Soft Glass Window Polishes: #91083.11XX



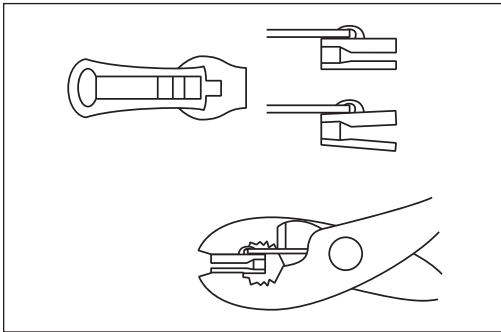
**The Trusted Source**

### Care and Maintenance:

Your QuadraTop is made of the finest materials available but to keep it looking new and for the maximum possible wear, it will need periodic cleaning and basic maintenance. The main threats to your soft top are pollutants, dirt and grime. By keeping your soft top clean you will prolong the life of your top. We recommend the following to keep your top like new:

**Washing:** The soft top fabric should be washed often using a mild soap, warm water and a soft bristle brush (do not use the brush on the window glass!). You can also use special soft top cleaners available on our website and shown on page 10. Make sure that after cleaning you rinse with clear water to remove all traces of soap.

**Zippers:** Keeping the zipper cleaned and lubricated with a silicone lubricant (see Page 10) will help prevent damage and keep the zippers in a smooth working condition. If zipper opens behind the slider, the slider may have been spread apart. This problem can usually be fixed



by using an ordinary pair of pliers to bring the sides back into parallel. Return slider to the end of the zipper in the normal Open position. Squeeze lightly at

first and test zipper. If the zipper continues to remain open squeeze more firmly with pliers and try the zipper again. Repeat procedure until your zipper operates correctly.

**Windows:** It is very important that you keep your QuadraTop windows clean! Use a mild soap and water solution to gently clean your windows. NEVER wipe your windows clean with a dry cloth! Dust and dirt on a dry cloth can scratch your windows causing "fogging" and permanent damage. When removing your windows, store them with a towel between the panels/rear windows to protect them from damage. If frost or ice forms on the outside of your windows during the winter, DO NOT use an ice scraper to remove this frost. Over time you will see small micro scratches in your windows which are natural wear and tear. These Micro scratches can be "polished" out using the window polish listed on page 10 (Available at Quadratec.com).

**Water/Fabric:** In the event of seeping through the seams, 3M Scotchgard® may be applied on the inside of the seams to stop the see. Rips in the fabric may be repaired with Bondex® iron on patches. Iron the patches to the Inside of the top, carefully following the Bondex® instructions.

**Snaps:** Keep snaps cleaned and lubricated with silicone to help prevent snaps from sticking to the studs. If a snap does become stuck to a stud, use a screwdriver and GENTLY pry apart to prevent permanent damage to the snap or the top fabric.



**The Trusted Source**

# Quadratec Limited Warranty

## for QuadraTop™ Replacement Soft Tops

Your QuadraTop replacement soft top is covered by the following **Limited Warranty** provided exclusively by Quadratec, Inc. 1028 Saunders Lane, West Chester, PA 19380.

This **Limited Warranty** is the only warranty made in connection with purchase. Quadratec neither assumes nor authorizes any vendor, retailer or other person or entity to assume for it any other obligation or liability in connection with this product or **Limited Warranty**.

### **What is Covered:**

Subject to the terms, exclusions and limitations herein and with respect only to soft tops first sold in the United States, Quadratec warrants to the initial retail purchaser only that your QuadraTop soft top shall be free of defects in material and workmanship **for a period of 3 years from date of initial retail sale.**

All other warranties are hereby disclaimed, except to the extent prohibited by applicable law in which case any implied warranty of merchantability or fitness for a particular purpose on this product is limited to 3 years from date of initial retail sale. Quadratec reserves the rights to: (a.) require invoice or other proof your soft top is within the terms of this **Limited Warranty** as a condition of warranty service and, (b.) make future revisions to this product and **Limited Warranty** without prior notice or obligation to upgrade your soft top.

### **What is Not Covered:**

Your Quadratec **Limited Warranty** does not cover products or parts Quadratec determines to have been damaged by or subjected to: (a.) installation damage, alteration, modification, failure to maintain or attempted repair or service by anyone not authorized by Quadratec, (b.) normal wear and tear, cosmetic damage or damage from water immersion, (c.) Acts of God, accidents, misuse, negligence, inadequate mounting or impact with vehicle(s), obstacles or other aspects of the environment, (d.) theft, vandalism or other intentional damage.

### **Remedy Limited to Repair/Replacement:**

**The exclusive remedy provided hereunder shall, upon Quadratec inspection and at Quadratec's option, be either repair or replacement of product or parts (new or refurbished) covered under this Limited Warranty.** Customers requesting warranty consideration on QuadraTop soft top should first contact Quadratec to obtain a RGA number (610-701-3336). All labor, removal, shipping and installation costs are customer's responsibility.

### **Other Limitations - Exclusion of Damages**

#### **- Your Rights Under State Law:**

In consideration of the purchase price paid, neither Quadratec nor any independent Quadratec distributor/licensee are responsible for any time loss, rental costs, or for any incidental, consequential, punitive or other damages you may have or incur in connection with any part or product purchased. Your exclusive remedy hereunder for covered parts is repair/replacement as described above.

This **Limited Warranty** gives you specific rights. You may also have other rights that vary from state to state. For example, some states do not allow limitations of how long an implied warranty lasts and/or do not allow the exclusion or limitation of incidental or consequential damages, so the limitations and exclusions herein may not apply to you.

The terms Quadratec®, Essentials® and Essential® are Registered Trademarks of Quadratec Inc. Registered in U.S. Patent and Trademark Office.

©Quadratec, Inc. 2018. All Rights Reserved.  
Version 1.17.18 LTR

Part #12999.0212



**The Trusted Source**