

QuadraTop® Fabric Replacement Soft Top

Installation Manual for '88-'95 Wrangler (YJ)

#11000.0XXX



⚠ WARNING ⚠

Loss of vehicle control involves risk of death or serious injury, particularly to parts of your body not restrained within vehicle. This product is intended for weather protection only and should not be relied upon to contain occupants in the event of an accident or to protect from either ground contact or falling objects. To reduce risk of accident or injury:

- ALWAYS WEAR SEATBELTS
- Always keep head, arms & body parts within vehicle.
- Fully secure or stow the soft top before driving according to instructions. Never try to latch or fold soft top while driving. Do not use if damaged or worn.
- Read and follow all instructions & warnings accompanying this product, in your vehicle owner's manual and Off Road Driving Supplement.

⚠ CAUTION ⚠

RISK OF EYE INJURY. Safety glasses should be worn at all times while installing or maintaining this product.

PARTS LIST:

FABRIC TOP - QTY 1
QUARTER WINDOW, RIGHT - QTY 1
QUARTER WINDOW, LEFT - QTY 1
REAR WINDOW - QTY 1
UPPER DOOR SKIN, RIGHT - QTY 1
UPPER DOOR SKIN, LEFT - QTY 1

REQUIRED TOOLS:

SAFETY GLASSES
SHOE HORN OR LARGE SPOON
RAZOR KNIFE
PHILLIPS SCREWDRIVER
SOFT BEACH SIZE TOWEL



The Trusted Source

Important Safety Information:

Your QuadraTop® soft top is intended to increase the utility and enjoyment of your off-road capable vehicle. Before installation, please take a moment to review the following safety information

and installation instructions. Important safety information is generally preceded by one of three signal words indicating the relative risk of injury. The signal words mean:

⚠ WARNING ⚠	a hazardous situation which, if not avoided, could result in death or serious injury. You CAN be KILLED or SERIOUSLY HURT if you don't follow instructions.
⚠ CAUTION ⚠	a hazardous situation which, if not avoided, could result in minor or moderate injury. You CAN be moderately HURT and also may suffer property damage if you don't follow instructions.
NOTICE	Careful attention is required to this instruction or operation but does generally not relate to personal injury. Damage to your Quadratec® product or other property may result if you don't follow instructions.

Before You Begin Soft Top Installation:

Congratulations on your purchase of the QuadraTop! This high quality soft top is designed to provide years of protection from whatever nature can throw at you! We have used only the finest materials in creating this soft top but like any product that is exposed to the elements, there is some general maintenance that is required to keep your QuadraTop looking like new. Please see page 10 for these important maintenance tips as well as page 11 for available hardware components that may have been lost or worn over the years.

Thank you again for your purchase and let's start the installation process!

When unpacking, check to make sure all parts are included. If any part is missing or broken, please call Quadratec Customer Service at 800-745-6037 as soon as possible.

Important: Make sure you become familiar with the installation process of this top by reading the following instruction sheet thoroughly.

NOTICE	This product is designed to fit over your original factory soft top hardware and factory soft upper metal door frames. Please see the image below to make sure you have the correct hardware for this top. Note that on full hard door soft top models the hardware was different than the half hard door soft tops. This top is designed to fit over the original factory half door style soft top hardware only.
---------------	--



Important: Existing soft top hardware required to install this top. Check to make sure your hardware looks like the picture to the left.



The Trusted Source

Pre-installation & Initial Steps:

NOTICE

For a smooth fit and ease of installation, this top should be installed at temperatures above 72 degrees. Below this temperature, the fabric may contract an inch or more making it difficult to install. We highly recommend taking the top out of the package and letting it sit inside a warm place or direct sunlight for 1-2 hours before you install the top. When warm, this top will install quickly.

Please also note that it is normal for fabric to contract and wrinkle when stored in the shipping carton. In a few days the fabric will relax and wrinkles will disappear.



Step 1: Remove any & all Pre-Existing Soft Top Fabric

Put on safety glasses. After verifying that you have the correct hardware, remove the existing soft top from the vehicle. Once the soft top is removed, inspect the hardware to make sure no parts are bent or missing.



Once it is determined that the hardware is correct and not damaged, raise the bows (3/4 of the way up) and upper door surrounds and lock the door surrounds into place as shown in Fig 1 & 2.

Make sure the rear spreader bars are not engaged at this time.



Step 2: Position New Top on Vehicle

Place the new soft top fabric on the top of the hardware system.

The plastic header should be facing forward and the two rear corners should be facing down. See Fig 3.



The Trusted Source

Soft Top Installation:



Step 3: Attach Fabric to Bows

Locate the front and rear snap straps and snap each to the front and rear bows securing the top to the hardware system. See Figs 4, 5, & 6.

NOTICE

If your original factory hardware has been replaced with an aftermarket version, the center snap strap will not be used. In this case, tuck center snap strap under top of bows to prevent it from hanging down.



Step 4: Install Fabric into Your Windshield Channel

Insert the front plastic windshield retainer strip sewn along the front of the top into the Windshield Channel front slot. Be certain not to catch any

fabric in the channel. While installing, make sure the top is centered side to side in the channel so that there is an equal distance from the center of the windshield. See Figs 7 & 8

⚠ WARNING ⚠

Make sure your windshield channel is secured and not loose. The channel must maintain its 90 degree angle to work properly. Over time the windshield channel holes where the screws are located can rust out causing the channel to come loose. If this is the case you will need to replace your existing channel or replace existing screws with slightly larger screws. See additional photos below:



The Trusted Source

Soft Top Installation:



Step 5: Secure Front Bow Assembly
Push/pull the front bow assembly all the way forward into the notch found on the side belt rail. See Figs 9 & 10



Step 6: Install Rear Corners
With the rear bow not completely engaged, install rear corners into the corner belt rails ensuring the clear/white plastic reinforcement are not hooked into the railing.

Line up edge of the plastic strip with the edge of the retainer. Repeat on other side. See Fig 11



Step 7: Secure Rear Bows
Push the bottom of the rear bow back towards the rear of the vehicle until it snaps into place. Make sure the fabric rear corners are still engaged. Note: the first time this is done it will be tight. See Figs 12 & 13



Step 8: Lock Spreader Bars into Place
With the rear bows secured, push up on the spreader bars until they lock into place. Make sure when pushing up on the spreader bars that you go straight up and not up and "inwards" while pushing.

Pushing inwards will damage your spreader bars. See Figs 14 & 15

Collapsed Spreader Bar

Locked Spreader Bar



The Trusted Source

Soft Top Installation:



Step 9: Installing Side Curtains

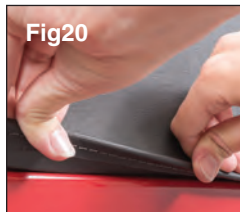
This may be easier with the spreader bar released. Line up & attach the top and side zippers on the side curtains approximately 2-3 inches. Note that side zipper may not line up with the corner fabric unless you slide the corner fabric around in the belt rail towards the front

of the vehicle. Once the side zipper is attached and zipped up 2-3 inches, you can slide the corner back around towards the rear of vehicle and line up the black plastic strip with the edge of the retainer. See step 10 (below) and see Figs 16 & 17.



Step 10: Insert Side Curtain into Vertical Door Surround Retainer.

With the top and side zippers still only partially closed 2-3", slip the plastic strip on the front of the side curtain into the retainer channel on the vertical support bow. See Fig 18



Step 11: Attach the Side Curtains to Body Belt Rail.

While pulling down, slip the side curtain bottom retaining channel into the body belt rail starting from one end and pressing down to the other as shown in Figs 19 & 20.



Completely zip up side curtain Zippers, re-engage spreader bars and then completely zip top side curtain zipper. See Fig 21. Repeat steps nine through eleven on the other side of the vehicle.



The Trusted Source

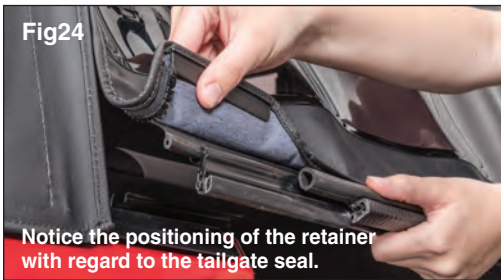
Soft Top Installation:



Step 12: Installing Rear Curtain

Attach the Top Zipper on the rear curtain to the top. Zip across 3-6" only.

Attach both side zippers on the rear curtain to the top zipping them down about 3-6". See Figs 22 & 23



Step 13: Install Tailgate Retainer

With the rear curtain loosely installed, open the tail gate and slide the rear curtain retainer onto the bottom of the rear curtain. See Fig 24



Step 14: Secure Tailgate Retainer

With the rear curtain attached, "roll" the rear tailgate bar into the two rear tailgate retainers.

Once engaged into the retainers, slip the rear curtain plastic retainers into the bottom of the tailgate retainer channel. See Figs 25, 26 & 27.



Zip the rear curtain top and two side zippers closed.



The Trusted Source

Soft Top Installation:



Step 15: Snap The Top Over Door Snaps to Hardware

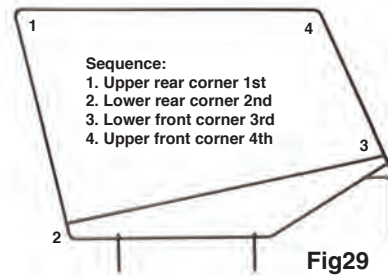
Fasten snaps on top to the over door sliding studs on hardware. Snaps should easily slide to match snap locations on the top. See Fig 28.

The Soft top portion of the installation is now complete.

Steps for Soft Doors and Soft Door Fabric:

Step 16: Remove Old Upper Door Fabric from your Existing Door Frames

Use a razor knife to carefully cut the stitches on the upper door frame fabric and remove them from the metal door frame. See important warning below:



⚠ WARNING ⚠

WHEN USING A RAZOR KNIFE, BE SURE TO KEEP HANDS AND FINGERS SAFELY AWAY FROM KNIFE BLADE. USE EXTREME CAUTION AS SERIOUS INJURY CAN OCCUR.



Step 17A: Install New Fabric Over Door Frames

Lay a large towel on the ground and place the upper door skin on the towel to prevent scratching. Un-zip the door skin window and un-due all hook and loop fasteners on the door skin.

IMPORTANT: See Fig 29 for the installation sequence on installing the door skin to the door frame. Place the metal frame gently into the top upper rear corner "pocket". See Fig 30.

NOTICE

Door covers are designed to fit very tight on the door frame. We recommended using a shoe horn or large spoon to help work the corners of the cover over the frame without tearing the fabric.

Do not pull on weatherstrip to assist in getting the door cover on door frame. This will tear weatherstrip and door will not seal properly.



The Trusted Source

Steps for Soft Doors and Soft Door Fabric:



Fig31



Fig32



Fig33

Step 17B: New Fabric on Door Frames

Start by working the upper rear corner of the door frame into the pocket of the cover. Then work the lower rear corner of the frame into the cover. Work the bottom front corner of the frame into the cover. NOTE: the frame should fit in-between the hook and loop flaps,

not between the zipper and the flaps. Lastly, work the upper front corner of the frame into the corner of the door cover. With the door cover straight on the frame, fasten the hook and loop straps around the frame.

See Figs 31, 32 & 33

Fig34



Fig35



Fig36

Step 17C: New Fabric on Door Frames

With all four corners inserted into the fabric pockets, secure the final hook and loop strip above the door pins.

Note that this will take some pulling and will over time loosen up making it easier to install. See Figs 34, 35 & 36.



Fig37

Step 18: Install Upper Doors

Insert the pins into the door grommets in the lower hard half steel doors. Note that for the doors to work properly the door grommets must be un-damaged and in place. Snap the front snap on the front of the door to the snap stud on the hard half door. Work the plastic retaining strip into the door rail to secure the upper door to the hard half door.

See Fig 37.

Your complete Fabric Replacement Soft top installation is now complete!



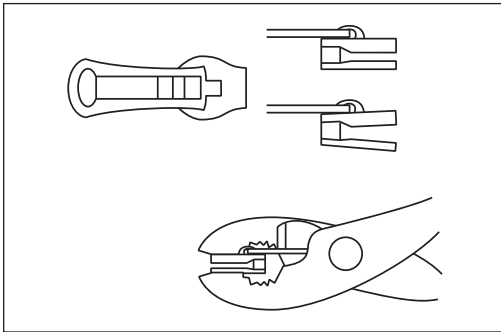
The Trusted Source

Care and Maintenance:

Your QuadraTop is made of the finest materials available but to keep it looking new and for the maximum possible wear, it will need periodic cleaning and basic maintenance. The main threats to your soft top are pollutants, dirt and grime. By keeping your soft top clean you will prolong the life of your top. We recommend the following to keep your top like new:

Washing: The soft top fabric should be washed often using a mild soap, warm water and a soft bristle brush (do not use the brush on the window glass!). You can also use special soft top cleaners available on our website and shown on page 9. Make sure that after cleaning you rinse with clear water to remove all traces of soap.

Zippers: Keeping the zipper cleaned and lubricated with a silicone lubricant (see Page 9) will help prevent damage and keep the zippers in a smooth working condition. If zipper opens behind the slider, the slider may have been spread apart. This problem can usually be fixed



by using an ordinary pair of pliers to bring the sides back into parallel. Return slider to the end of the zipper in the normal Open position. Squeeze lightly at

first and test zipper. If the zipper continues to remain open squeeze more firmly with pliers and try the zipper again. Repeat procedure until your zipper operates correctly.

Windows: It is very important that you keep your QuadraTop windows clean! Use a mild soap and water solution to gently clean your windows. NEVER wipe your windows clean with a dry cloth! Dust and dirt on a dry cloth can scratch your windows causing “fogging” and permanent damage. When removing your windows, store them with a towel between the panels/rear windows to protect them from damage. If frost or ice forms on the outside of your windows during the winter, DO NOT use an ice scraper to remove this frost. Over time you will see small micro scratches in your windows which are natural wear and tear. These Micro scratches can be “polished” out using the window polish listed on page 9 (Available at Quadratec.com).

Water/Fabric: In the event of seeping through the seams, 3M Scotchgard® may be applied on the inside of the seams to stop the see. Rips in the fabric may be repaired with Bondex® iron on patches. Iron the patches to the Inside of the top, carefully following the Bondex® instructions.

Snaps: Keep snaps cleaned and lubricated with silicone to help prevent snaps from sticking to the studs. If a snap does become stuck to a stud, use a screwdriver and GENTLY pry apart to prevent permanent damage to the snap or the top fabric.



The Trusted Source

**Replacement Hardware
and Soft Top Accessories:**

Now that you have reviewed this set of instructions, and looked at your original equipment hardware, you may have noticed that some of your original top hardware is missing or damaged. Quadratec offers a full assortment of original equipment hardware and

storage solutions to keep your top looking new and performing at its peak. The following parts and current pricing are available at **Quadratec.com**

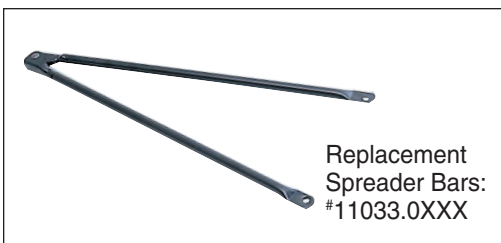
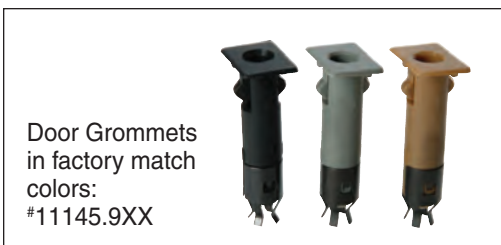
Don't see what you need here? Call us for Expert Advice at **800-745-5337**



Visit Our ALL NEW
www.Quadratec.com

All ▾ Soft Top Hardware 🔍

Search Today!



The Trusted Source

Quadratec Limited Warranty

for QuadraTop™ Replacement Soft Tops

Your QuadraTop replacement soft top is covered by the following **Limited Warranty** provided exclusively by Quadratec, Inc. 1028 Saunders Lane, West Chester, PA 19380.

This **Limited Warranty** is the only warranty made in connection with purchase. Quadratec neither assumes nor authorizes any vendor, retailer or other person or entity to assume for it any other obligation or liability in connection with this product or **Limited Warranty**.

What is Covered:

Subject to the terms, exclusions and limitations herein and with respect only to soft tops first sold in the United States, Quadratec warrants to the initial retail purchaser only that your QuadraTop soft top shall be free of defects in material and workmanship **for a period of 3 years from date of initial retail sale.**

All other warranties are hereby disclaimed, except to the extent prohibited by applicable law in which case any implied warranty of merchantability or fitness for a particular purpose on this product is limited to 3 years from date of initial retail sale. Quadratec reserves the rights to: (a.) require invoice or other proof your soft top is within the terms of this **Limited Warranty** as a condition of warranty service and, (b.) make future revisions to this product and **Limited Warranty** without prior notice or obligation to upgrade your soft top.

What is Not Covered:

Your Quadratec **Limited Warranty** does not cover products or parts Quadratec determines to have been damaged by or subjected to: (a.) installation damage, alteration, modification, failure to maintain or attempted repair or service by anyone not authorized by Quadratec, (b.) normal wear and tear, cosmetic damage or damage from water immersion, (c.) Acts of God, accidents, misuse, negligence, inadequate mounting or impact with vehicle(s), obstacles or other aspects of the environment, (d.) theft, vandalism or other intentional damage.

Remedy Limited to Repair/Replacement:

The exclusive remedy provided hereunder shall, upon Quadratec inspection and at Quadratec's option, be either repair or replacement of product or parts (new or refurbished) covered under this Limited Warranty. Customers requesting warranty consideration on QuadraTop soft top should first contact Quadratec to obtain a RGA number (610-701-3336). All labor, removal, shipping and installation costs are customer's responsibility.

Other Limitations - Exclusion of Damages

- Your Rights Under State Law:

In consideration of the purchase price paid, neither Quadratec nor any independent Quadratec distributor/licensee are responsible for any time loss, rental costs, or for any incidental, consequential, punitive or other damages you may have or incur in connection with any part or product purchased. Your exclusive remedy hereunder for covered parts is repair/replacement as described above.

This **Limited Warranty** gives you specific rights. You may also have other rights that vary from state to state. For example, some states do not allow limitations of how long an implied warranty lasts and/or do not allow the exclusion or limitation of incidental or consequential damages, so the limitations and exclusions herein may not apply to you.

The terms Quadratec®, Essentials® and Essential® are Registered Trademarks of Quadratec Inc. Registered in U.S. Patent and Trademark Office.

©Quadratec, Inc. 2017. All Rights Reserved.
Version 12.20.17 LTR

Part #12999.0211



The Trusted Source