



**2018 JEEP WRANGLER JL 4-DOOR RX3 SIDE STEPS
INSTALLATION INSTRUCTIONS**



RBP-1510B-RX3
RX-3 STEP BARS

2018 JEEP WRANGLER JL 4-DOOR RX3 SIDE STEPS
INSTALLATION INSTRUCTIONS

Your Complete Satisfaction is Our Number One Goal

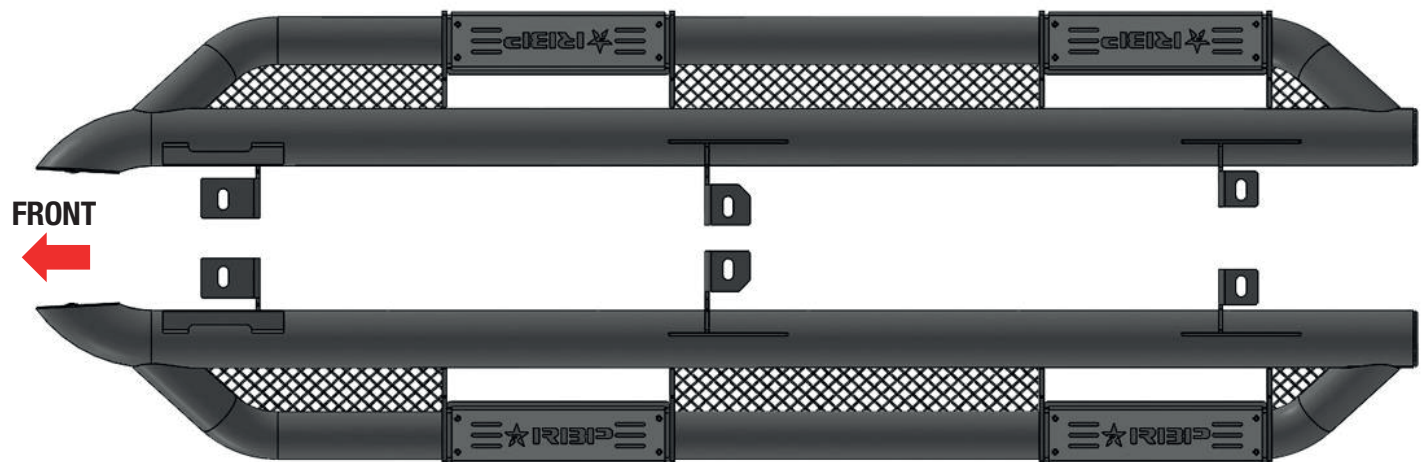
At Rolling Big Power, your satisfaction is why we're in business. If for any reason your experience with our product was anything less than satisfactory, please reach out to us. We'd love to have the opportunity to provide the product experience and service you deserve.

Our RX-3 step bars feature one-piece, welded steel construction, and a patented mesh design that's an RBP original. The cab-length design snugly hugs your truck, as to not reduce ground clearance. The paintable, textured inserts allow you to customize your steps for a look truly your own. The RBP RX-3 step bars include all mounting brackets and instructions for easy installation. Featuring a new 3-year finish warranty on our black finish, and a limited lifetime on polished stainless, with additional protection against any manufacturer's defects – you can be sure you are covered.

STOP. DO NOT RETURN TO THE STORE. WE CAN HELP. QUESTIONS OR PROBLEMS, OUR TEAM OF PROFESSIONALS ARE HERE TO HELP.

CALL TOLL FREE 1-877-519-9090, MON-FRI: 8:00AM - 5:00PM PST

Passenger/right step assembly



Driver/left step assembly

PLEASE READ INSTRUCTIONS COMPLETELY BEFORE INSTALLATION. IF YOU DO NOT CLEARLY UNDERSTAND ANY PART OF INSTALLATION INSTRUCTIONS, DO NOT ATTEMPT TO INSTALL YOURSELF. HAVE A QUALIFIED PROFESSIONAL PERFORM INSTALLATION. RBP ASSUMES NO LIABILITY FOR ANY DAMAGE CAUSED BY IMPROPER USE AND/OR INSTALLATION OF ITS PRODUCTS.

**2018 JEEP WRANGLER JL 4-DOOR RX3 SIDE STEPS
INSTALLATION INSTRUCTIONS**

HARDWARE INCLUDED

- 1- Driver/left RX3 Side Step
- 1- Passenger/right RX3 Side Step
- 6- 8-1.25mm x 35mm Hex Bolts
- 6- 8mm x 28mm x 3mm Flat Washers
- 6- 8mm Lock Washers
- 12- 6-1.0mm x 25mm Hex Bolts
- 24- 6mm x 22mm x 2mm Flat Washers
- 12- 6-1.0mm Nylon Lock Nuts

RECOMMENDED TOOLS

- 1- 13mm Wrench and/or Socket
- 1- 10mm Wrench and Socket



STEP 1:

Select the Driver/left side RX3 Step, (curved end goes toward the front of the vehicle).

STEP 2:

Remove any old steps or factory installed “Rock Rails” and hardware from vehicle.

STEP 3:

Start installation on the Driver/left side of the vehicle. Locate the (3) pairs of holes in the pinch weld, **(Figure 1)**. If necessary, hold the driver side RX3 Step up in position to help determine correct mounting holes to use. The mounting brackets on the Side Step attach to the holes in the pinch weld and the small factory threaded hole directly behind the pinch weld, **(Figures 2—4)**.

**2018 JEEP WRANGLER JL 4-DOOR RX3 SIDE STEPS
INSTALLATION INSTRUCTIONS**

STEP 4:

With assistance, hold the Driver/left RX3 Side Step up in place against the **back** of the pinch weld. Line up the (3) welded brackets with the (6) factory holes in the pinch weld. Bolt the brackets to the **back** of the pinch weld with the included (6) 6mm x 25mm Hex Bolts, (12) 6mm Flat Washers and (6) 6mm Nylon Lock Nuts, (**Figures 5—8, 10**). Leave hardware loose at this time. **NOTE:** Insert Bolts from outside the pinch weld and out through the Bracket.

STEP 5:

Bolt each top tab on the Side Step to the floor panel with the included (1) 8mm x 35mm Hex Bolt, (1) 8mm Lock Washer and (1) 8mm Flat Washer, (**Figures 5, 9—12**). Repeat for all locations.

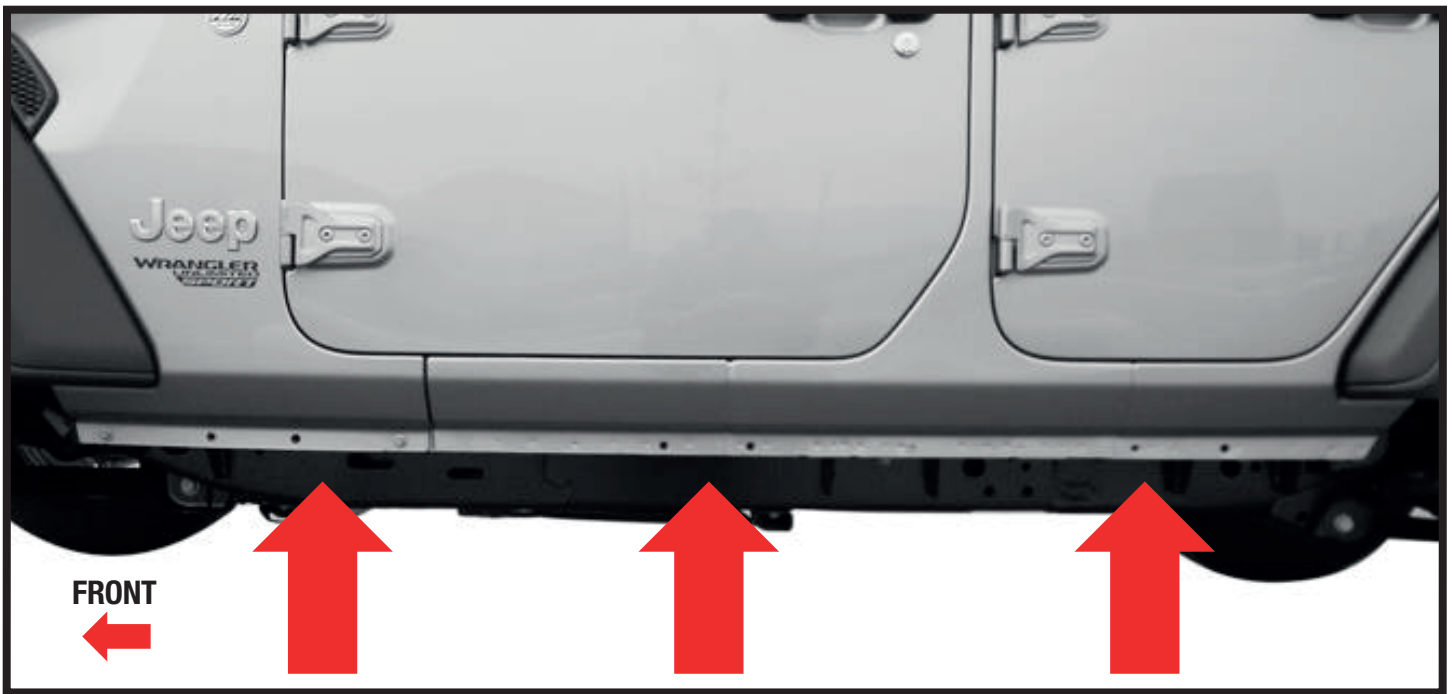
STEP 6:

Level and adjust the Side Step and tighten all hardware.

STEP 7:

Repeat Steps 1—6 to install the Passenger/right side RX3 Step assembly.

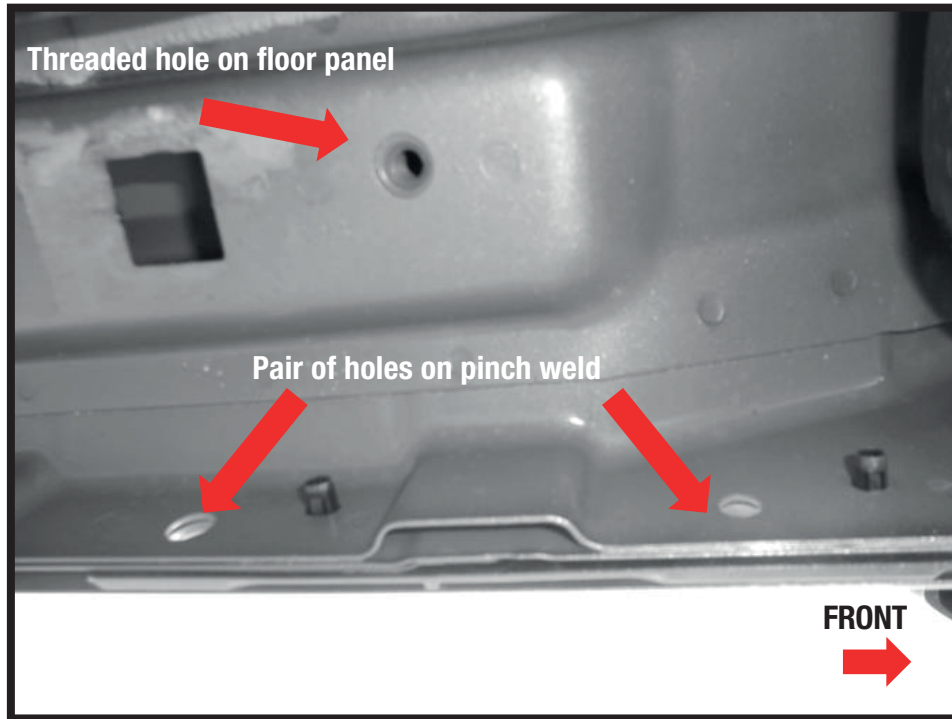
FIGURE 1



Locate the (3) pairs of holes along the pinch weld (Driver/left side pictured)

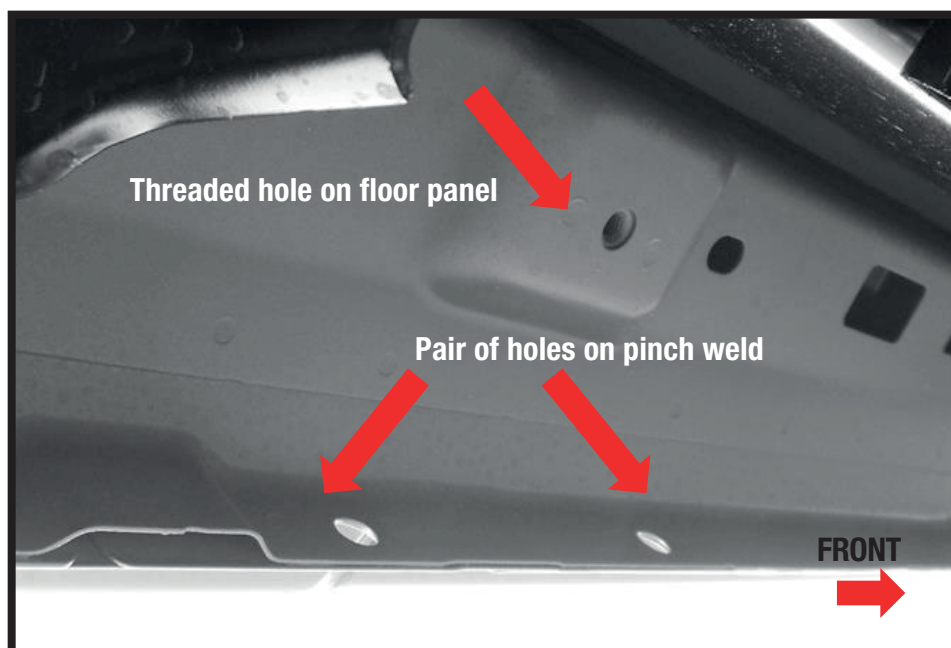
**2018 JEEP WRANGLER JL 4-DOOR RX3 SIDE STEPS
INSTALLATION INSTRUCTIONS**

FIGURE 2



Driver/left side front mounting location

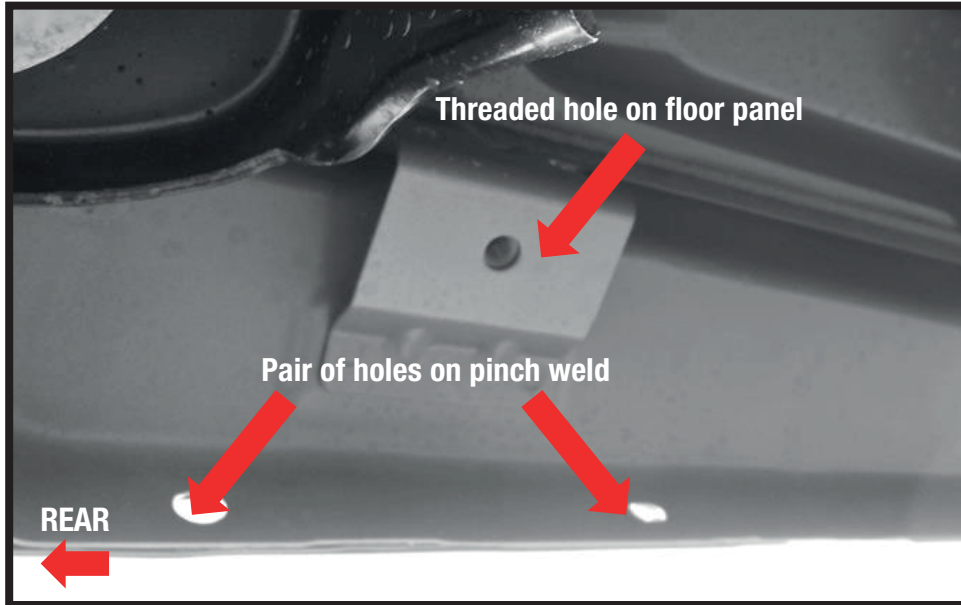
FIGURE 3



Driver/left side center mounting location

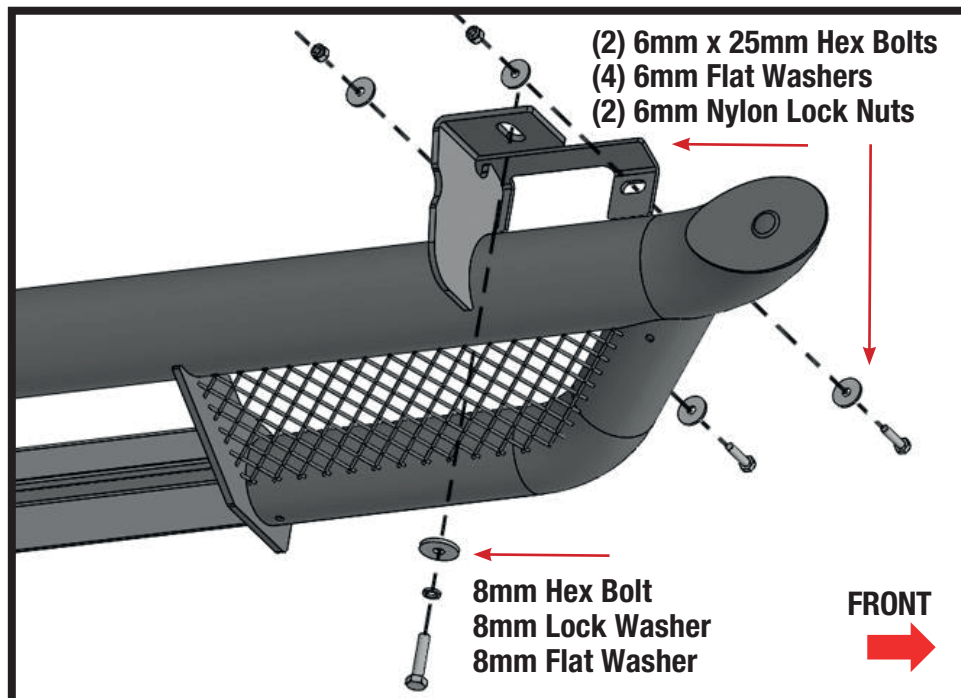
**2018 JEEP WRANGLER JL 4-DOOR RX3 SIDE STEPS
INSTALLATION INSTRUCTIONS**

FIGURE 4



Driver/left side rear mounting location

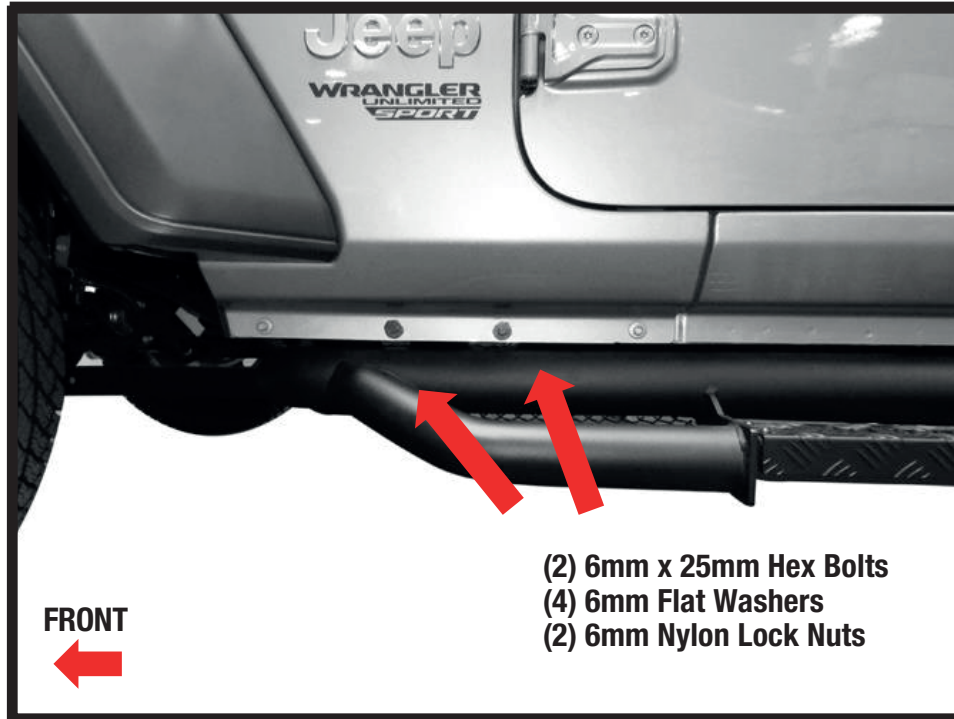
FIGURE 5



**Driver/left side front welded Bracket
attached to pinch weld and inner floor panel**

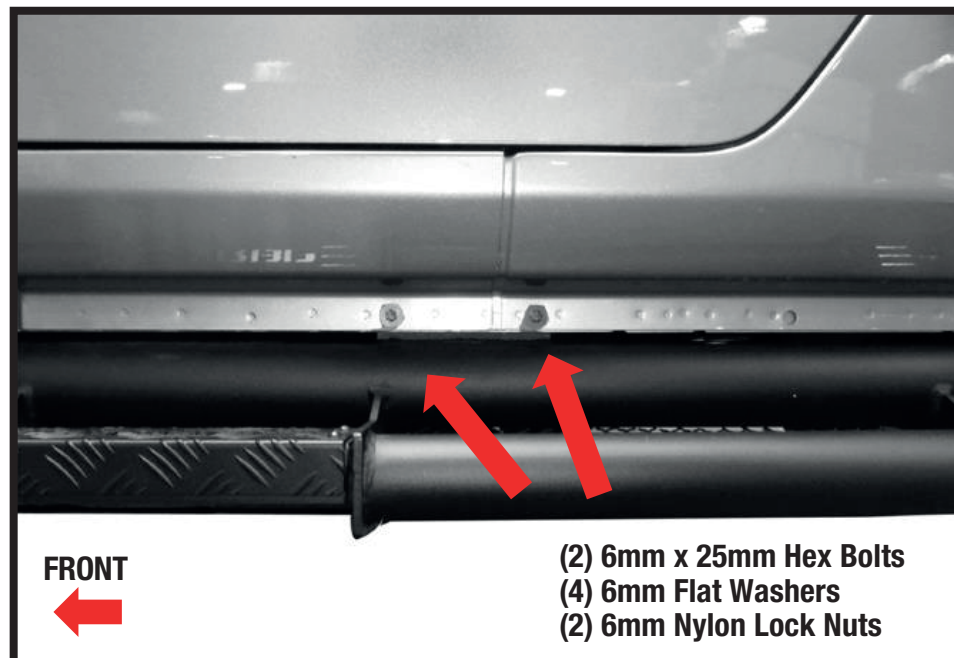
**2018 JEEP WRANGLER JL 4-DOOR RX3 SIDE STEPS
INSTALLATION INSTRUCTIONS**

FIGURE 6



Driver/left side front welded Bracket attached to back of pinch weld

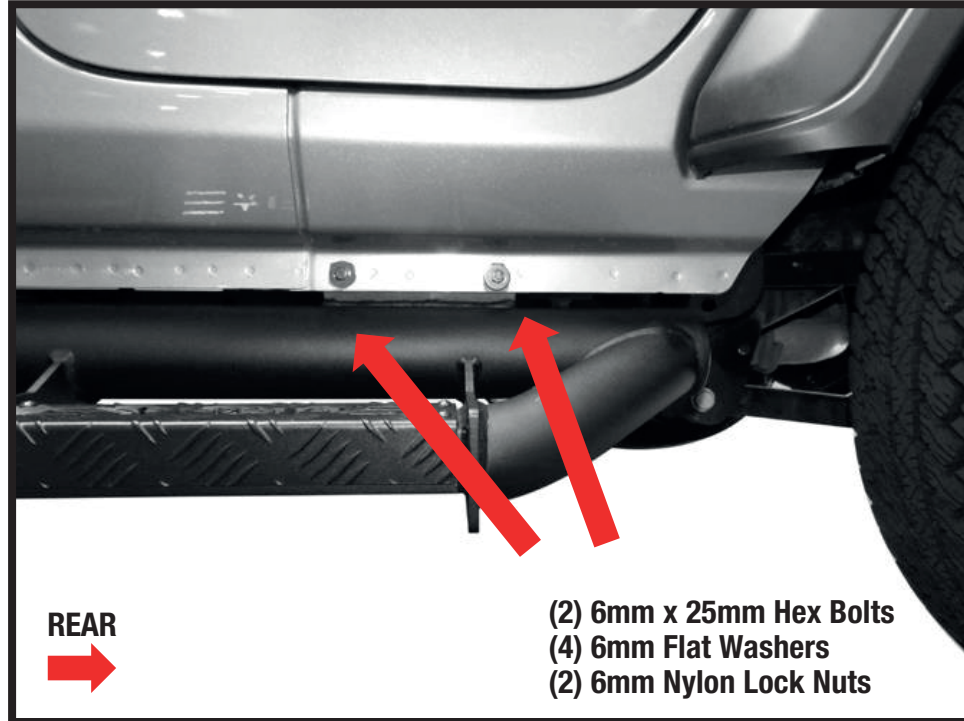
FIGURE 7



Driver/left side front welded Bracket attached to back of pinch weld

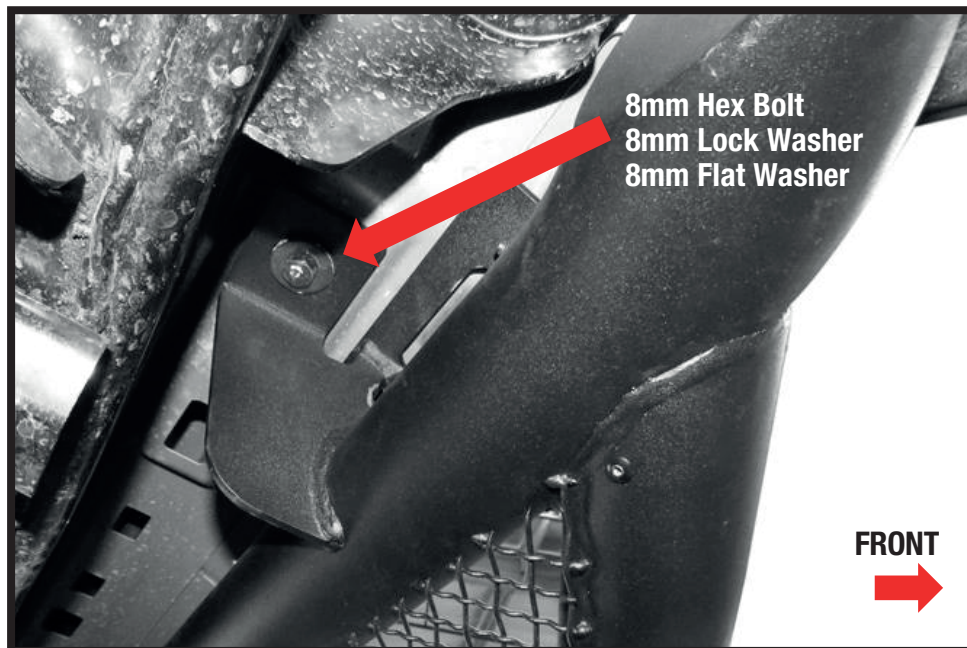
**2018 JEEP WRANGLER JL 4-DOOR RX3 SIDE STEPS
INSTALLATION INSTRUCTIONS**

FIGURE 8



Driver/left side rear welded Bracket attached to back of pinch weld

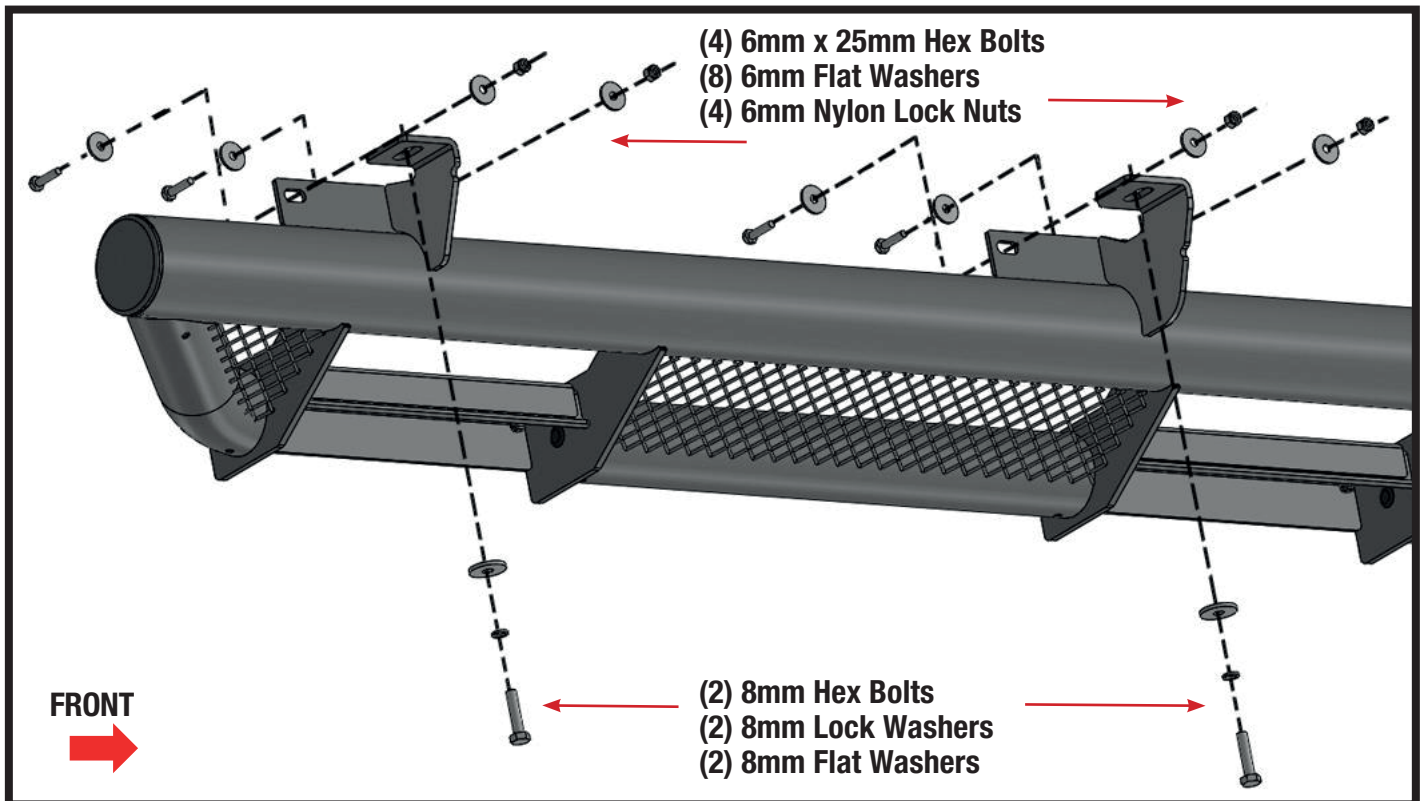
FIGURE 9



Driver/left side front welded Bracket attached to inner floor panel

2018 JEEP WRANGLER JL 4-DOOR RX3 SIDE STEPS
INSTALLATION INSTRUCTIONS

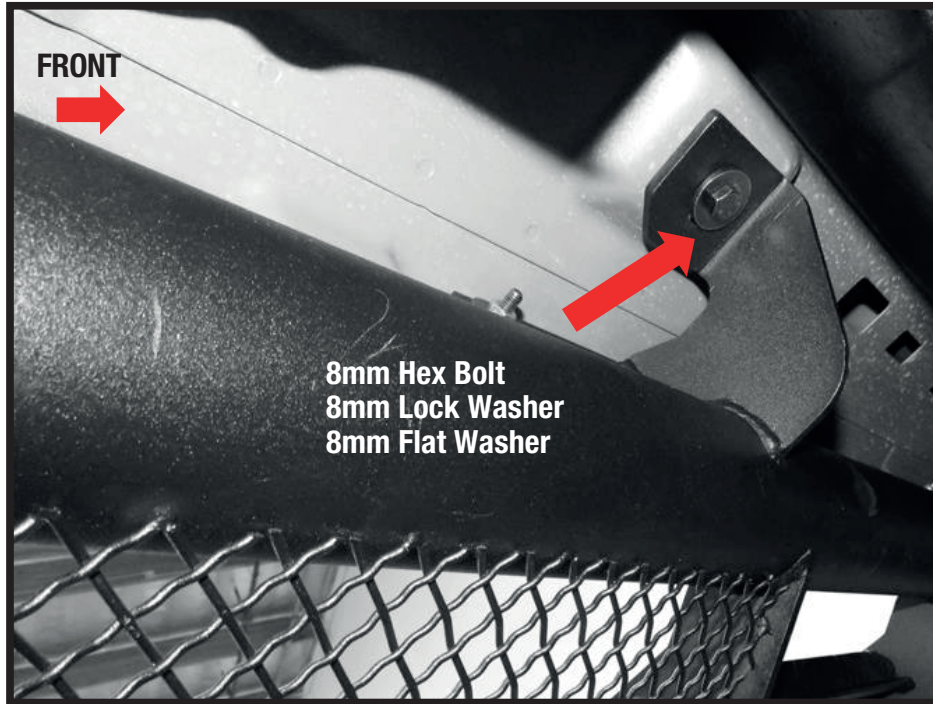
FIGURE 10



Driver/left side Center & Rear Brackets attached to pinch weld and body panel

**2018 JEEP WRANGLER JL 4-DOOR RX3 SIDE STEPS
INSTALLATION INSTRUCTIONS**

FIGURE 10



Driver/left side center welded Bracket attached to inner floor panel

FIGURE 11



Driver/left side rear welded Bracket attached to inner floor panel



STRAIGHT DOIN' ITTM

www.rollingbigpower.com

may have additional information about this product including the latest instructions,
videos, photos, etc.

For customer support, please call us at **1-877-519-9090** to speak directly with a RBP customer
service representative.