



**2018 JEEP WRANGLER JL 4-DOOR RX7 SIDE STEPS  
INSTALLATION INSTRUCTIONS**



**RBP-510B-RX7  
RX-3 STEP BARS**

**2018 JEEP WRANGLER JL 4-DOOR RX7 SIDE STEPS  
INSTALLATION INSTRUCTIONS**

---

**Your Complete Satisfaction is Our Number One Goal**

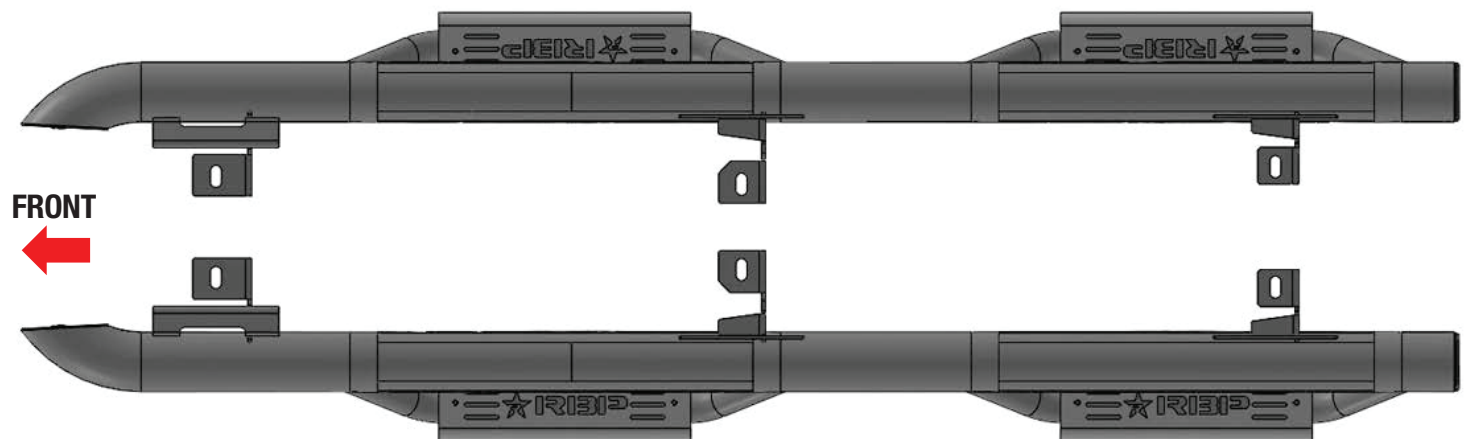
At Rolling Big Power, your satisfaction is why we're in business. If for any reason your experience with our product was anything less than satisfactory, please reach out to us. We'd love to have the opportunity to provide the product experience and service you deserve.

Our RX-7 steps feature a one-piece welded steel construction, and the patented design that is truly original. The wheel to wheel length design hugs your truck snugly, so they don't reduce ground clearance. The paintable, textured inserts allow you to customize your steps for a set truly your own. The RBP RX-7 step bars include all mounting brackets and instructions and are easy to install. Featuring a new 3-year finish warranty, and a limited lifetime warranty for manufacturer defects – you can be sure you are covered, no matter what.

STOP. DO NOT RETURN TO THE STORE. WE CAN HELP. QUESTIONS OR PROBLEMS, OUR TEAM OF PROFESSIONALS ARE HERE TO HELP.

CALL TOLL FREE 1-877-519-9090, MON-FRI: 8:00AM - 5:00PM PST

**Passenger/right step assembly**



**Driver/left step assembly**

PLEASE READ INSTRUCTIONS COMPLETELY BEFORE INSTALLATION. IF YOU DO NOT CLEARLY UNDERSTAND ANY PART OF INSTALLATION INSTRUCTIONS, DO NOT ATTEMPT TO INSTALL YOURSELF. HAVE A QUALIFIED PROFESSIONAL PERFORM INSTALLATION. RBP ASSUMES NO LIABILITY FOR ANY DAMAGE CAUSED BY IMPROPER USE AND/OR INSTALLATION OF ITS PRODUCTS.

**2018 JEEP WRANGLER JL 4-DOOR RX7 SIDE STEPS  
INSTALLATION INSTRUCTIONS**

**HARDWARE INCLUDED**

- 1- Driver/left RX7 Side Step
- 1- Passenger/right RX7 Side Step
- 6- 8-1.25mm x 35mm Hex Bolts
- 6- 8mm x 28mm x 3mm Flat Washers
- 6- 8mm Lock Washers
- 12- 6-1.0mm x 25mm Hex Bolts
- 24- 6mm x 22mm x 2mm Flat Washers
- 12- 6-1.0mm Nylon Lock Nuts

**RECOMMENDED TOOLS**

- 1- 13mm Wrench and/or Socket
- 1- 10mm Wrench and Socket



**STEP 1:**

Select the passenger side RX7 Step, (curved end goes toward the front of the vehicle).

**STEP 2:**

Remove any old steps or factory installed “Rock Rails” and hardware from vehicle.

**STEP 3:**

Start installation on the passenger side of the vehicle. Locate the (3) pairs of holes in the pinch weld, **(Figure 1)**. If necessary, hold the passenger side RX7 Step up in position to help determine correct mounting holes to use. The mounting brackets on the Side Step attach to the holes in the pinch weld and the small factory threaded hole directly behind the pinch weld, **(Figures 2—4)**.

**2018 JEEP WRANGLER JL 4-DOOR RX7 SIDE STEPS  
INSTALLATION INSTRUCTIONS**

**STEP 4:**

With assistance, hold the Passenger/right RX7 Side Step up in place against the **back** of the pinch weld. Line up the (3) welded brackets with the (6) factory holes in the pinch weld. Bolt the brackets to the **back** of the pinch weld with the included (6) 6mm x 25mm Hex Bolts, (12) 6mm Flat Washers and (6) 6mm Nylon Lock Nuts, (**Figures 5—7**). Leave hardware loose at this time. **NOTE:** Insert Bolts from outside the pinch weld and out through the Bracket.

**STEP 5:**

Bolt each top tab on the Side Step to the floor panel with the included (1) 8mm x 35mm Hex Bolt, (1) 8mm Lock Washer and (1) 8mm Flat Washer, (**Figures 5—7**). Repeat for all locations.

**STEP 6:**

Level and adjust the Side Step and tighten all hardware.

**STEP 7:**

Repeat Steps 1—6 to install the Passenger/right side RX7 Step assembly.

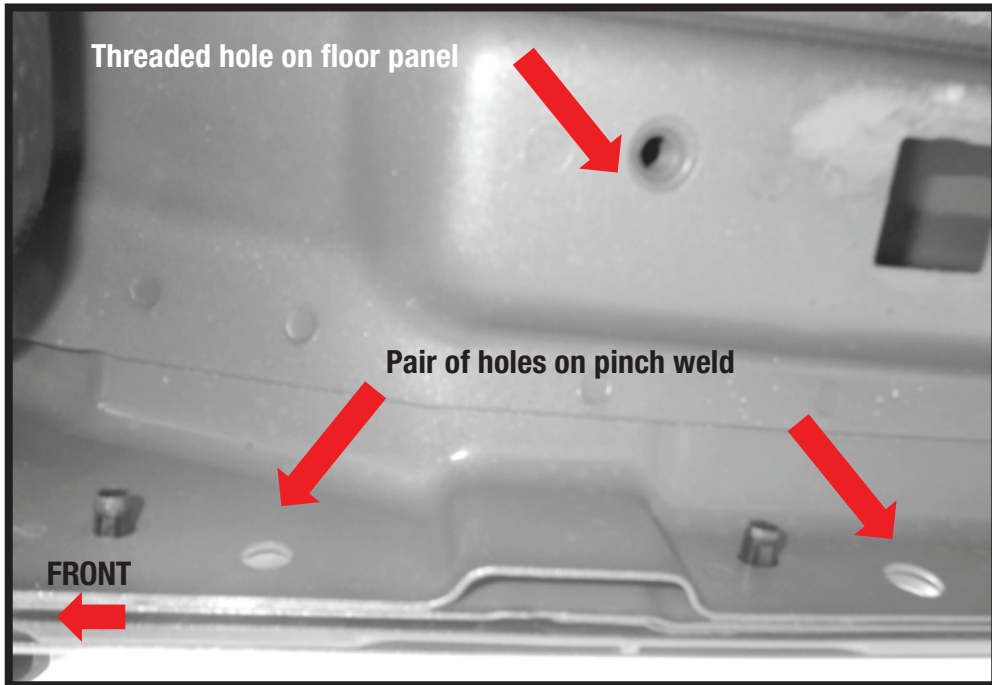
**FIGURE 1**



Locate the (3) pairs of holes along the pinch weld (Driver/left side pictured)

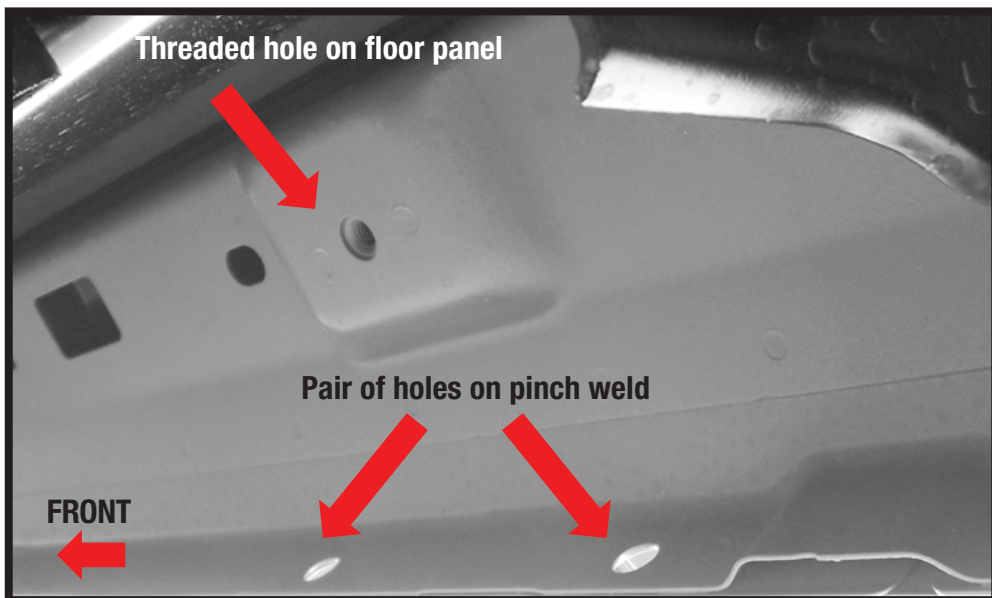
**2018 JEEP WRANGLER JL 4-DOOR RX7 SIDE STEPS  
INSTALLATION INSTRUCTIONS**

**FIGURE 2**



**Passenger side front mounting location**

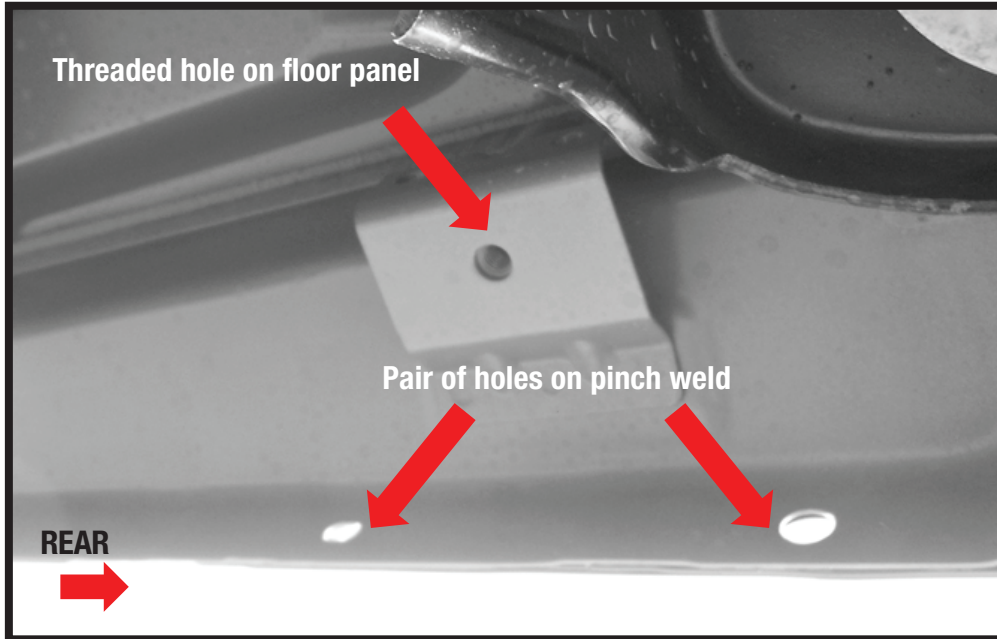
**FIGURE 3**



**Passenger side center mounting location**

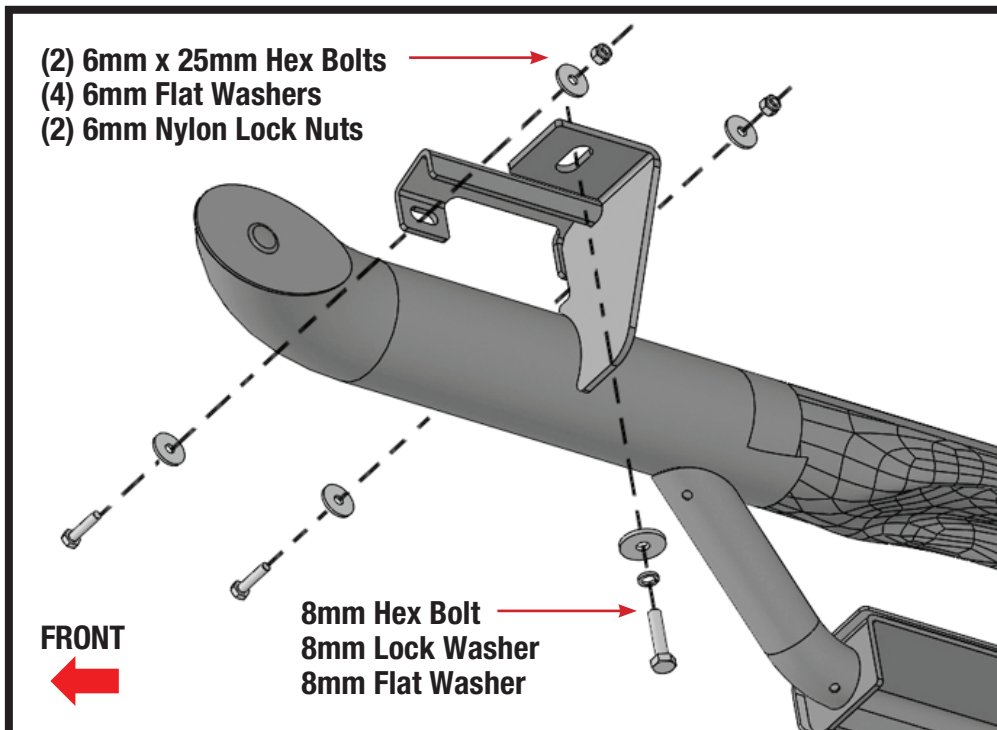
**2018 JEEP WRANGLER JL 4-DOOR RX7 SIDE STEPS**  
INSTALLATION INSTRUCTIONS

**FIGURE 4**



Passenger side rear mounting location

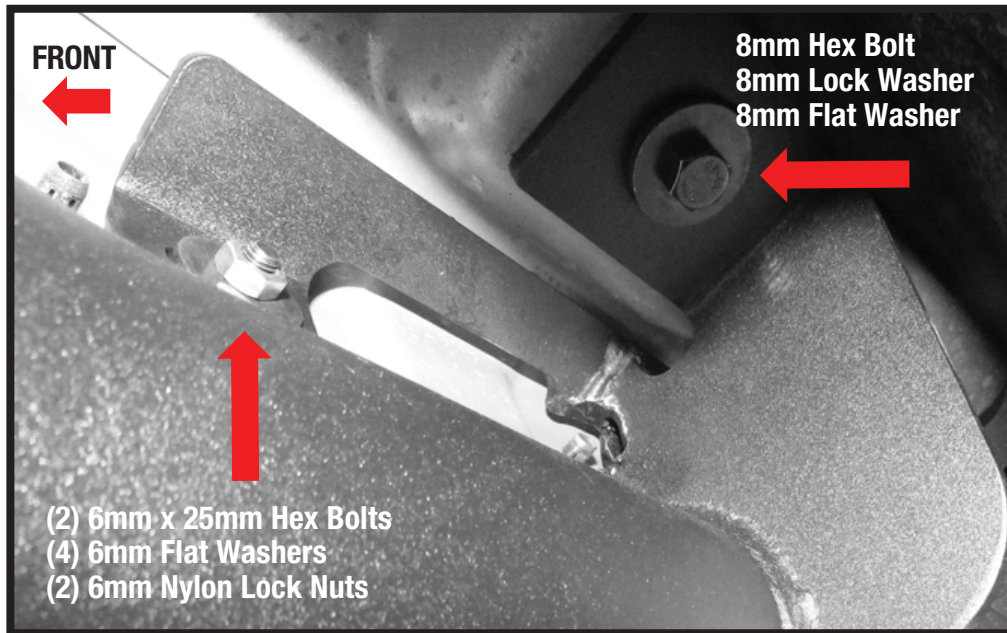
**FIGURE 5**



Passenger side front welded Bracket attached to pinch weld and inner floor panel

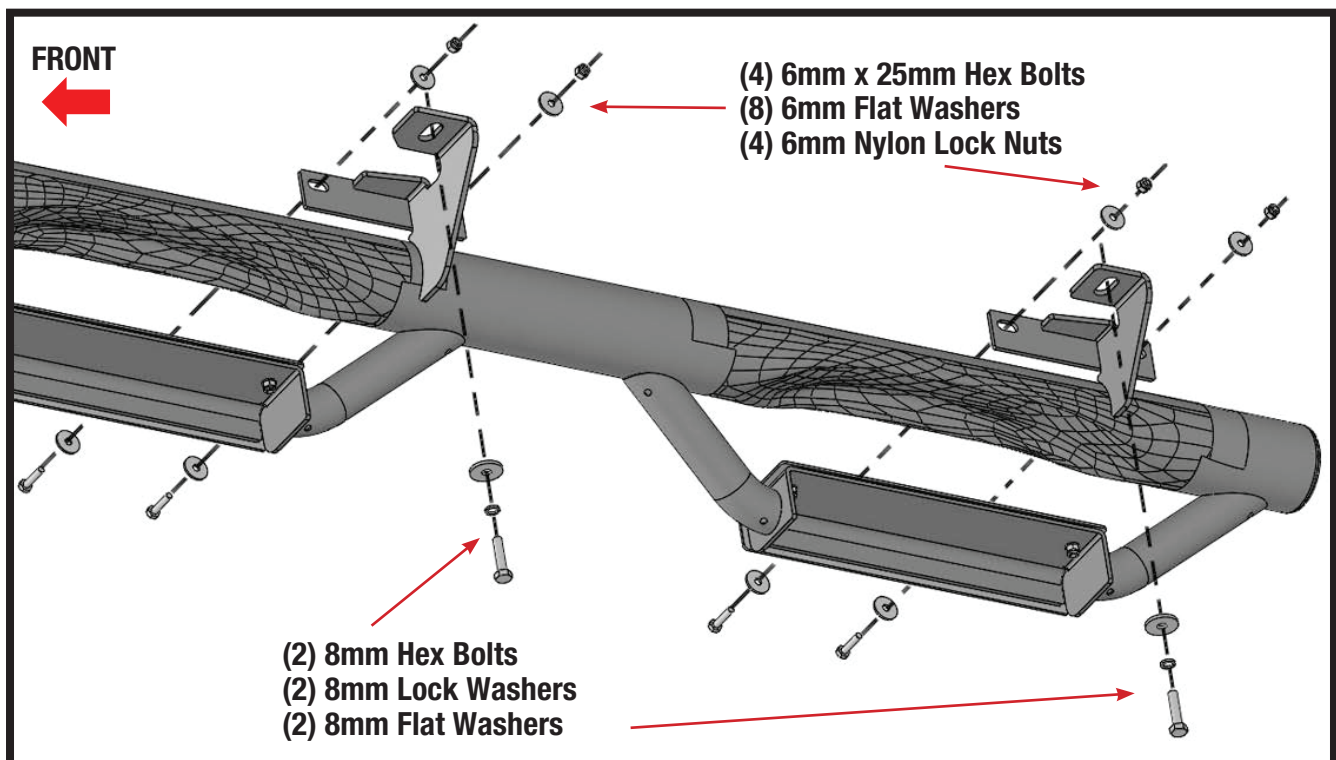
**2018 JEEP WRANGLER JL 4-DOOR RX7 SIDE STEPS  
 INSTALLATION INSTRUCTIONS**

**FIGURE 6**



**Passenger side front welded Bracket installed**

**FIGURE 7**



**Passenger/right side Center & Rear Brackets attached to pinch weld and body panel**



**STRAIGHT DOIN' IT<sup>TM</sup>**

**[www.rollingbigpower.com](http://www.rollingbigpower.com)**

may have additional information about this product including the latest instructions,  
videos, photos, etc.

For customer support, please call us at **1-877-519-9090** to speak directly with a RBP customer  
service representative.