

RTS71JP

2007-2016 Jeep Wrangler 4 Door RTS71JP Installation Instructions

Hardware Kit Includes Loose:

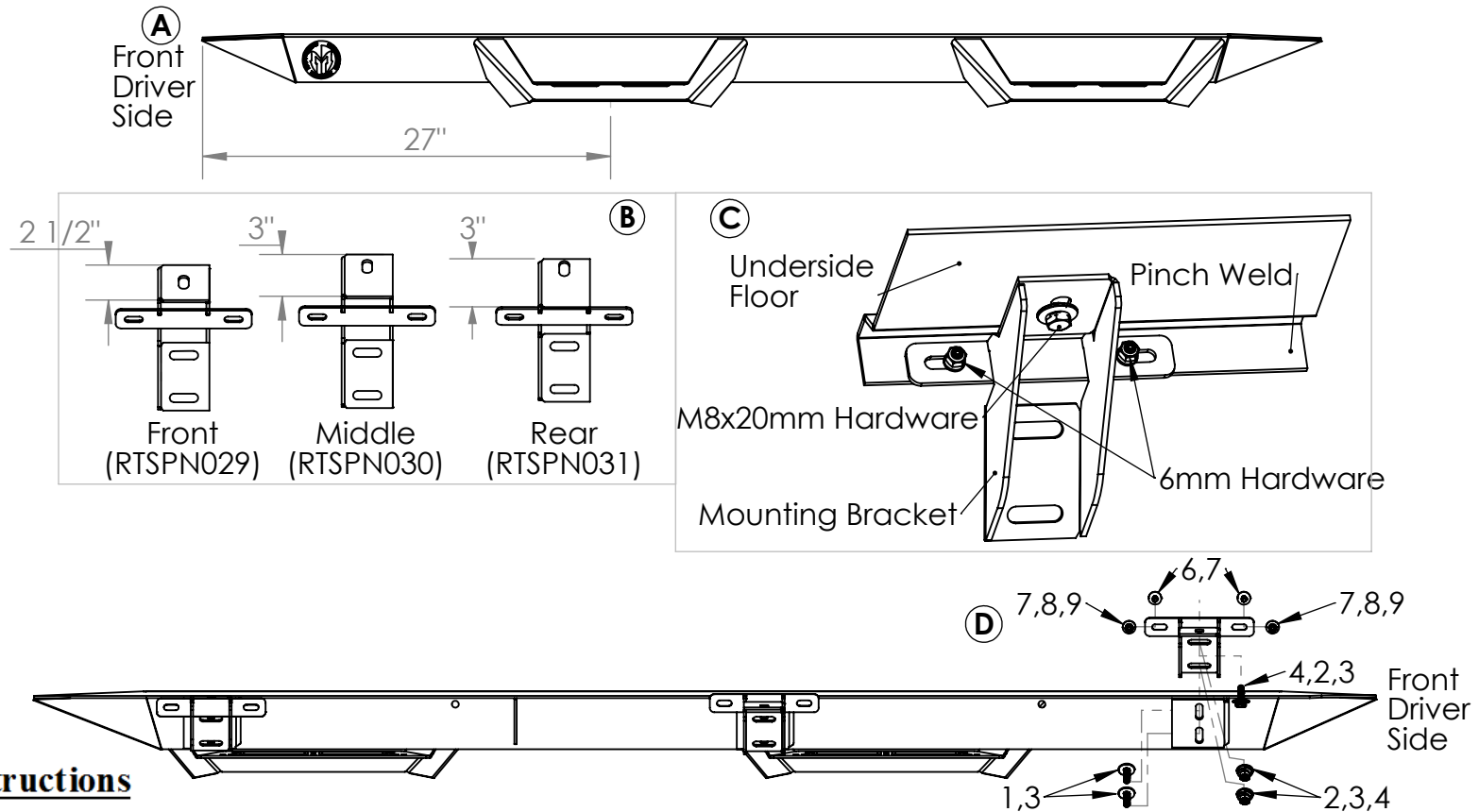
- (1) 12 – Hex head bolts (M8-1.25 x 30mm) Grade 8
- (2) 18 – Lock washers (M8) Grade 8
- (3) 30 – Flat washers (M8) Grade 8
- (4) 6 – Hex head bolts (M8-1.25 x 20mm) Grade 8
- (5) 12 – Hex head nuts (M8-1.25) Grade 8
- (6) 12 – Button head bolts (M6-1.25) Grade 8
- (7) 24 – Flat washers (M6) Grade 8
- (8) 12 – Lock washers (M6) Grade 8
- (9) 12 – Hex head nuts (M6-1.25) Grade 8

Components List:

- (1) 2 – 1 Driver/1 Passenger RT Steps
- (2) 2 – Front Mounting Brackets RTSPN029
- (3) 2 – Middle Mounting Brackets RTSPN030
- (4) 2 – Rear Mounting Brackets RTSPN031

**LOOSE FIT ALL COMPONENTS.
DO NOT TIGHTEN UNTIL ALL
COMPONENTS ARE INSTALLED
AND ADJUSTED.**

**DISCLAIMER: USE ONLY
COMPONENTS AND HARDWARE
SUPPLIED BY ICI.
NO SUBSTITUTIONS.**



Step by Step Installation Instructions

- STEP 1:** Read and understand instructions completely before beginning installation.
- STEP 2:** Remove all old steps and hardware from Jeep.
- STEP 3:** Locate the driver's side step (center of front foot step is 25" to front of bar, see figure A). Each step uses 3 mounting brackets; front (RTSPN029), middle (RTSPN030) and rear (RTSPN031). Locate and identify brackets (see figure B).
- STEP 4:** There are 6 holes in the pinch weld of the Jeep, using the provided 6mm hardware (button head bolts, flat washers, lock washers, and nuts) loose fit the mounting brackets to these holes in their corresponding locations (front, middle and rear). Once the brackets are loosely fit, use the provided 8mm hardware (20mm hex head bolts, flat washers and lock washers) to attach the mounting brackets to the underside floor (see diagram C). NOTE: shorter 8mm bolts go into the underside floor.
- STEP 5:** Once all 6 brackets are loose fit to the truck, mount the RT Step to the brackets using provided 8mm x 30mm hex head bolts, 2 flat washers per bolt, lock washers and nuts (See figure D).
- STEP 7:** Once RT Step is loose fit, tighten brackets to inside rocker to 20 ft/lbs (**DO NOT USE IMPACT TOOLS**). Next, adjust bar up/down and front/back then tighten step to brackets at 30 ft/lbs. Repeat for passenger side.