



INSTALLATION MANUAL

PRODUCT: MODULAR ROOF RACK

MODEL: JEEP WRANGLER JL 4-DOOR (2018-)

PART NO: 2M.2701.1MB

NOTE: THIS MANUAL COVERS INSTALLATION OF ALL SUPPLIED COMPONENTS OF THIS ROOF RACK (2M.0001.4, 2M.0003.4, 2M.2701.K, 2MD.0020.1)



You can also refer to full installation video on our Youtube Channel “RIVAL 4x4 Accessories”

CAUTION!

To reduce the risk of serious injury or damage, please read and understand all instructions and procedures before attempting to install or use this product. Safety glasses must be worn at all times during installation or maintenance of this product. Ensure all mounting bolts are tensioned after 250 miles (400 km) and periodically there after.

MODULAR ROOF RACK



Part number 2M.2701.1MB

Suited to vehicle: JEEP WRANGLER JL (2018-)

Material: Aluminum



SAFETY NOTICE

- * The RIVAL roof rack is designed to compliment the use and design of the specified vehicle under conditions specified by the car manufacturer.
- * While driving the vehicle at any speed, collision with any other vehicle, animal or object must always be avoided.
- * The operation of a vehicle where the roof rack is not properly attached and fastened to the vehicle, or where it has been damaged, must be avoided at all cost.
- * It is recommended that you carry out regular inspections of all the bracket fittings.

INSTALLATION NOTICE

- * The RIVAL roof rack must be mounted and affixed to the vehicle according to the installation manual provided by an authorized RIVAL dealer or Motor dealer or by a special vehicle repair or fitment center.
- * Personal safety during the installation process must be adhered to at all times and the use of personal safety equipment is highly recommended.

REQUIRED TOOLS

- * Basic tool kit
- * Torque wrench
- * Flat head screwdriver
- * Measure tape
- * Rubber hammer

TORQUE SETTING

- * M8 - 24 Nm

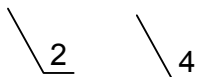
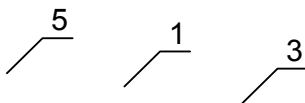
PARTS LISTING



Open the boxes 2M.0001.4 and 2M.0003.4

2M.0001.4

2M.0003.4



ROOF RACK BOX

- 1. Frame slat.....Qty 2
- 2. Side profile.....Qty 2
- 3. Standard slat.....Qty 4
- 4. Cross bar.....Qty 2
- 5. Plastic corner.....Qty 4

ADDITIONAL KIT BOX

- 3. Standard slat.....Qty 2
- 6. Extension side profile.....Qty 2

SPARE PARTS



- 5. Plastic corner.....Qty 2

PARTS LISTING



7

8

9

10

11

12

13

ROOF RACK BOX

- 7. Bolt M8x16.....Qty 40
- 8. Nut M8.....Qty 40
- 9. Washer 8.....Qty 40

ADDITIONAL KIT BOX

- 7. Bolt M8x16.....Qty 8
- 8. Nut M8.....Qty 8
- 9. Washer 8.....Qty 8
- 10. Screw M8x20.....Qty 4
- 11. Spring washer 8.....Qty 4
- 12. Connector 8.....Qty 2
- 13. Connector M8.....Qty 2

INSTALLATION PROCEDURE



Fig. 1

1. Install the plastic corner (item 5) into corner of frame slat (item 1), as shown in (fig. 1). Use rubber hammer if necessary.



Fig. 2

2. Loosely install washer 8 (item 8) and nut M8 (item 7) on bolt M8x16 (item 6). Insert bolt M8x16 (item 6) into slot of frame slat (item 1) as shown in fig.2.

***Do not tighten yet.**



Fig. 3

3. Repeat steps 1-2 for the other side of the frame slat, and on 2nd frame slat (item 1).



Fig. 4

4. Place connector M8 (item 13) into slot of side profile (item 2). Align the holes.



Fig. 5

5. Place connector 8 (item 12) into slot of side profile (item 2). Align the holes.



Fig. 6

6. Fix connectors (item 12, 13) using screw M8x20 (item 10) and spring washer 8 (item 11).

***Do not tighten yet.**

INSTALLATION PROCEDURE



Fig. 7

7. Connect side profile (item 2) with extension side profile (item 6) as shown in fig. 7.



Fig. 8

8. Fix extension side profile (item 6) using screw M8 x20 (item 10) and spring washer 8 (item 11).

***Tighten hardware after that.**



Fig. 9

9. Repeat steps 4-8 for 2nd pair of side profiles (item 2, 6).



Fig. 10

10. Connect plastic corner (item 5) with side profile (item 2+6) as shown in fig. 10. Use rubber hammer if necessary.



Fig. 11

11. Repeat step 4 for all side profiles (item 2+6) and frame slat (item 1) to build roof rack frame, as shown in fig. 11.



Fig. 12

12. Take standard slats (item 3) and slide the one end into side profile (item 2+6), as shown in fig.12.

INSTALLATION PROCEDURE



Fig. 13



Fig. 14

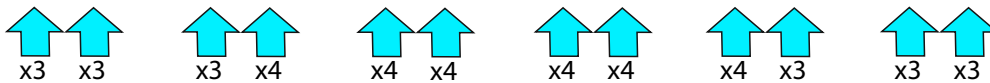


Fig. 15

13. Insert bolts M8x16 (item 7) into each slot of standard slats (item 3), as shown in fig. 13, 14, 15.



Fig. 16

14. Match the holes of side profiles (item 2) with the bolts (item 7) sitting in standard slats (item 3) as shown in fig. 16.



Fig. 17

15. Loosely install washers 8 (item 9) and nuts M8 (item 8).

***Do not tighten yet.**

INSTALLATION PROCEDURE



Fig. 18

16. Repeat steps 8-9 for all standard slats (item 3) both sides of roof rack.



Fig. 19

17. Insert bolt M8x16 (item 7) into slots of both frame slats (item 1), as shown in fig. 19.



Fig. 20

18. Align bolts M8x16 (from step 13 and 17) in the middle of the platform (fig.20).



Fig. 21

19. Place cross bars (item 4) on bolts M8x16, as shown in fig.21.



Fig. 22

20. Fix cross bars using washer 8 (item 9) and nut M8 (item 8).

***Do not tighten yet.**

INSTALLATION PROCEDURE



Fig. 23



Fig. 24

21. Using measuring tape, measure from the one corner across to another corner. You'll have following dimensions: 86.2 inch/ 2190 mm.



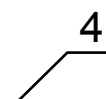
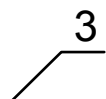
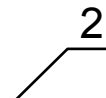
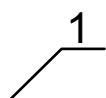
Fig. 25



Fig. 26

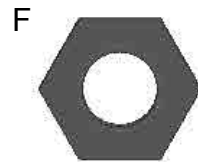
22. Tighten hardware after that. Hold bolt head on frame slat (item 1) **using flat screwdriver.**

Open the box 2M.2701.K



- 1. Front bracket Qty 4
- 2. Rear bracket Qty 2
- 3. Clamp..... Qty 6
- 4. Support bracket..... Qty 6

PARTS LISTING



I

A. Bolt M8x20.....	Qty 18
B. Screw M8x20.....	Qty 12
C. Screw M8x30.....	Qty 6
D. Washer spring 8.....	Qty 18
E. Washer 8.....	Qty 36
F. Nut M8.....	Qty 18
G. Rubber weatherstrip.....	Qty 6
H. Rubber gasket.....	Qty 6

INSTALLATION PROCEDURE



Fig. 27



Fig. 28

23. Insert 2 bolts M8x20 (item A) into slot of side profile of roof rack, as shown in fig. 28.



Fig. 29

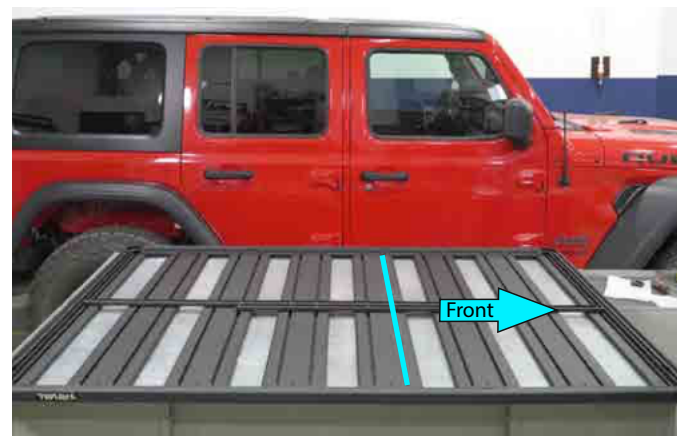


Fig. 30

24. Insert 1 bolt M8x20 (item A) into slot of 3rd standard slat, as shown in fig. 29,30.



Fig. 31

25. Adjust bolts as shown in fig. 31.



Fig. 32

26. Install front bracket (item 1) using washers 8 (item E) and nuts M8 (item F) as shown in fig. 32.

***Do not tighten yet.**

INSTALLATION PROCEDURE



Fig. 33

27. Insert 2 bolts M8x20 (item A) into slot of side profile of roof rack, as shown in fig. 33.



Fig. 34

28. Insert 1 bolt M8x20 (item A) into slot of 1st standard slat, as shown in fig. 34.



Fig. 35

29. Adjust bolts as shown in fig. 35.



Fig. 36

30. Install front bracket (item 1) using washers 8 (item E) and nuts M8 (item F) as shown in fig. 36.

***Do not tighten yet.**



Fig. 37

31. Adjust front bracket parallel to standard slat as shown in fig. 37. Tighten hardware on front bracket installed into 1st standard slat.



Fig. 38

32. Measure distance between front brackets, and adjust this distance to 15.6 inches (395 mm). Tighten hardware on front bracket installed into 3rd standard slat.

INSTALLATION PROCEDURE



Fig. 39

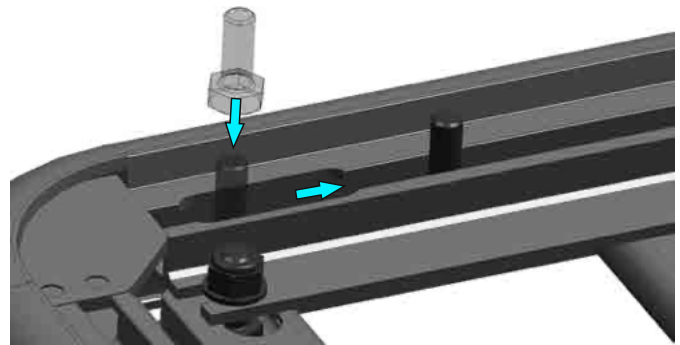


Fig. 40

33. Insert 1 bolt M8x20 (item A) into slot of side profile of roof rack, as shown in fig. 39,40.



Fig. 41



Fig. 42

34. Insert 1 bolt M8x20 (item A) into slot of 6th standard slat, as shown in fig. 41,42.



Fig. 43

35. Adjust bolts as shown in fig. 43.



Fig. 44

36. Install rear bracket (item 2) using washers 8 (item E) and nuts M8 (item F). Fig. 44.

***Do not tighten yet.**

INSTALLATION PROCEDURE

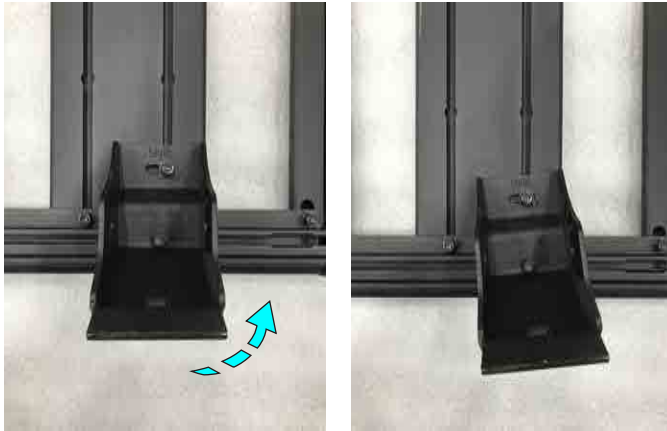


Fig. 45

37. Adjust rear bracket (item 2) as shown in fig. 45.



Fig. 46

38. Measure distance between front bracket in the middle and rear bracket, and adjust this distance to 28.2 inches (715 mm). Fig. 46.
***Tighten hardware after that.**



Fig. 47

39. Install support brackets (item 4) on front and rear brackets (item 1,2) using screws M8x20 (item B), spring washers 8 (item D) and washers 8 (item E). Fig. 47,48.
***Do not tighten yet.**



Fig. 48



Fig. 49

40. On three roof brackets, align support bracket (item 4) with the sides of the roof bracket as shown in fig. 49.



Fig. 50

41. Attach rubber gaskets (item H) on support brackets (item 4), as shown in fig. 50.

INSTALLATION PROCEDURE



Fig. 51

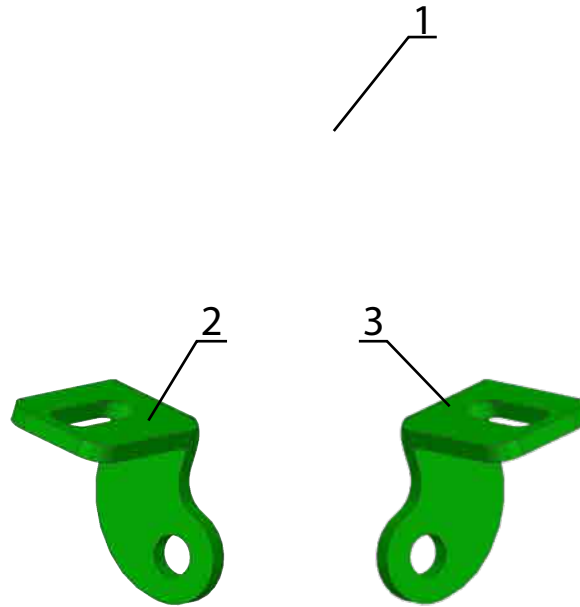
42. Install rubber weatherstrips (item G) on front and rear brackets (item 1,2) as shown in fig. 51.



Fig. 52

43. Repeat steps 1-20 for the other side of modular roof rack. Fig. 52.

Open the box 2MD.0020.1



- 1. Wind deflector.....Qty 1
- 2. Bracket 1.....Qty 1
- 3. Bracket 2.....Qty 1

A A B C C D

- A. Bolt M8x20.....Qty 4
- B. Screw M8x20.....Qty 4
- C. Washer 8.....Qty 12
- D. Nut M8.....Qty 8

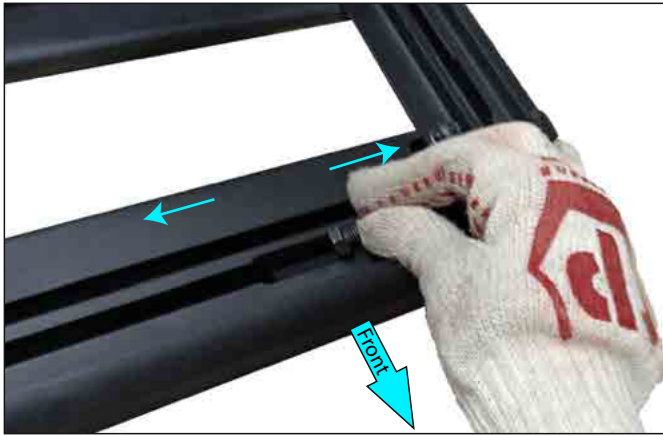


Fig. 53

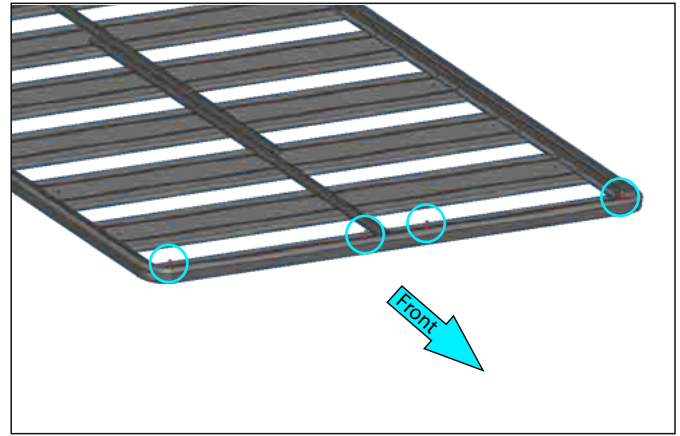


Fig. 54

44. Insert 4 bolts M8x20 (item A) into T-slots from the front as shown in fig. 53,54.

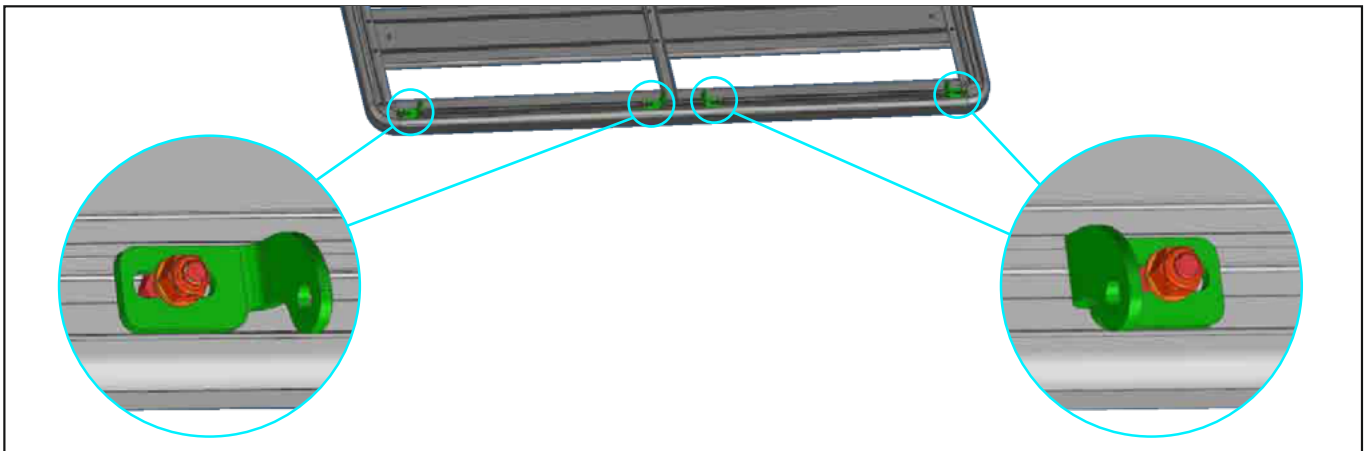


Fig. 55

45. Install brackets 1,2 (item 2,3) and fix using washers 8 (item C) and nuts M8 (item D), as shown in fig.55.

***Do not tighten yet.**

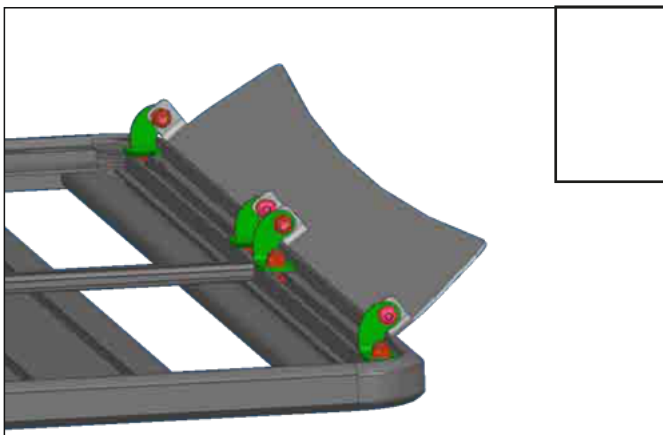


Fig. 56

46. Install and fix the wind deflector (item 1) to brackets 1,2 (item 2,3) using screws M8x20 (item B), washers 8 (item C), nuts M8 (item D) (fig.56).

***Do not tighten yet.**

INSTALLATION PROCEDURE



Take hardware from 2M.2701.K.



Fig. 57

47. Carefully place roof rack with brackets onto the hard top. It's highly recommended to do it with an extra person helping on another side. Front and rear brackets (item 1,2) need to be placed into drip rail channel. Fig. 57



Fig. 58

48. Measure distance between 1st front bracket (item 1) and the edge of hard top drip rail channel and adjust the roof rack to 5.3 inches (135 mm) both sides, as shown in fig. 58.



Fig. 59

49. Push clamps (item 3) to bottom of drip rail channel and fix to front and rear brackets (item 1,2) using screws M8x30 (item C), spring washers 8 (item D) and washers 8 (item E), as shown on fig. 59,60.

***Tighten hardware after that.**

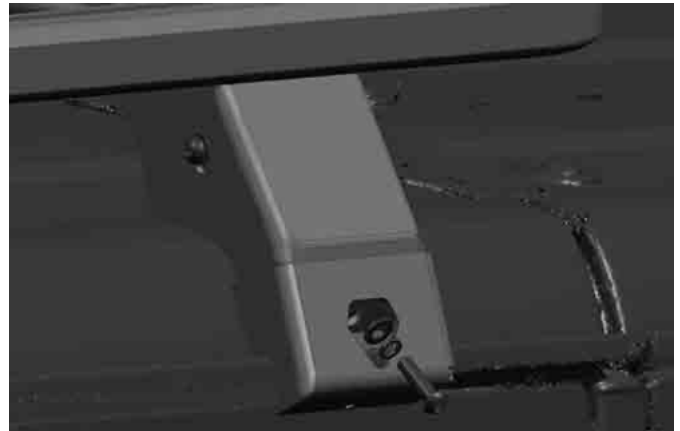


Fig. 60

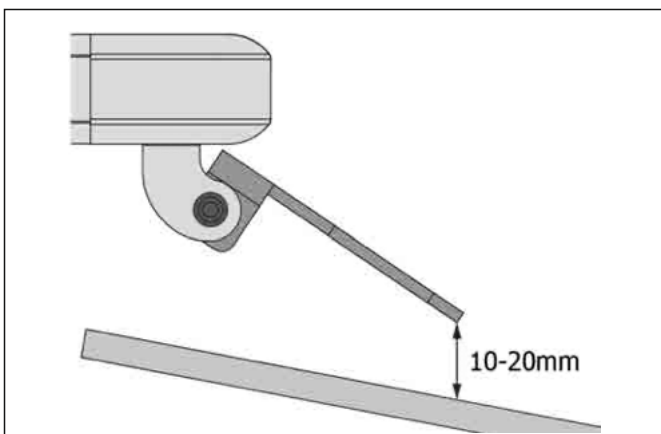


Fig. 61

50. Adjust and fix the wind deflector as shown in fig.61.

INSTALLATION PROCEDURE



Before operating a vehicle fitted with a RIVAL Roof rack 2M.2701.1MB:

- make sure all fittings are tightened



Thank you for your choice!

**Sincerely,
RIVAL 4x4 Team**