

## INSTALLATION INSTRUCTIONS

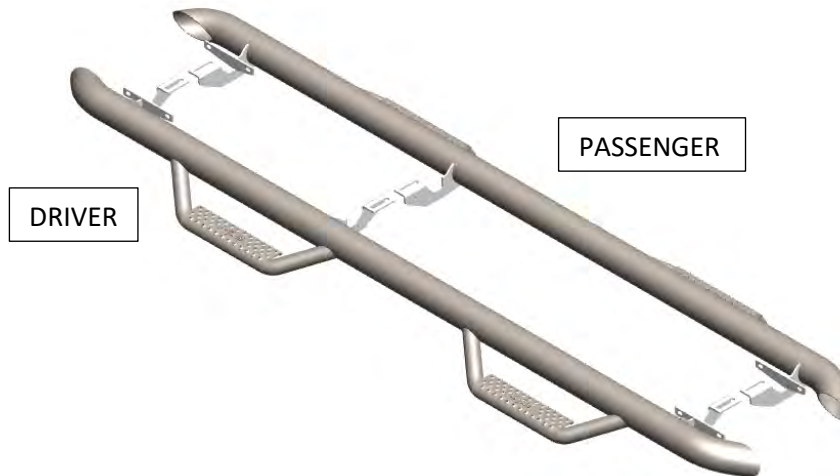
www.roughcountry.com Phone: (800) 222-7023

2019 – 20 JEEP JT 4 DOOR / RCJ1980T

| HARDWARE DESCRIPTION                 | QTY. |
|--------------------------------------|------|
| <b>KIT# HWKT-05321X</b>              |      |
| M8x30mm flanged hex bolt with washer | 6    |
| M8x25mm Flanged hex head bolt        | 8    |
| M8 flanged nuts                      | 8    |



**Step 1.** Identify the driver side



By purchasing any item sold by Rough Country, LLC, the buyer expressly warrants that he/she is in compliance with all applicable Federal, State, and Local laws and regulations regarding the purchase, ownership, and use of the item. It shall be the buyers responsibility to comply with all Federal, State and Local laws governing the sales of any items listed, illustrated or sold. The buyer expressly agrees to indemnify and hold harmless Rough Country, LLC for all claims resulting directly or indirectly from the purchase, ownership, or use of the items

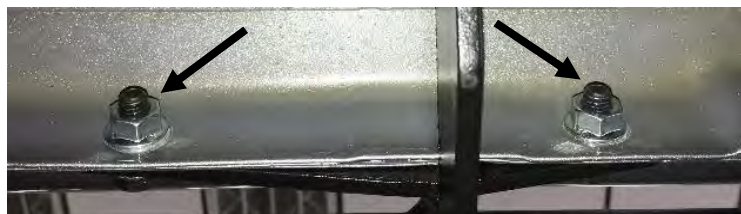
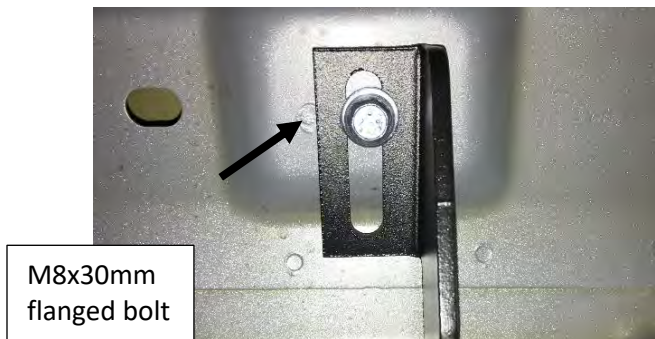
**Step 2.** Remove the factory running boards and discard.



**Step 3.** Carefully raise step up into position and align the brackets with the factory mounting points with the horizontal part of the bracket on the outside of the pinch weld.

**Step 4.** Next, start one of the supplied M8x30mm hex head flanged bolts starting with the center bracket in the factory threaded hole and leave loose.

**Step 5.** Install two supplied M8x25mm black zinc flanged bolts and two M8 flanged nuts in the pinch weld mounts in the front and rear brackets and leave loose.



**Step 6.** Continue installing the two remaining M8x30mm bolts in the front and rear brackets and leave loose.

**Step 7.** Adjust the nerf-step where the main bar is level with the body of the vehicle.

2019 – 20 JEEP JT 4 DOOR / RCJ1980T

**Step 8.** First, tighten all the hardware that attaches the bracket to the pinch weld of the vehicle.



**Step 9.** Next, tighten the remaining hardware that attaches the bracket to the upper body mount.



**Step 10.** Repeat steps 3-9 for the passenger side.