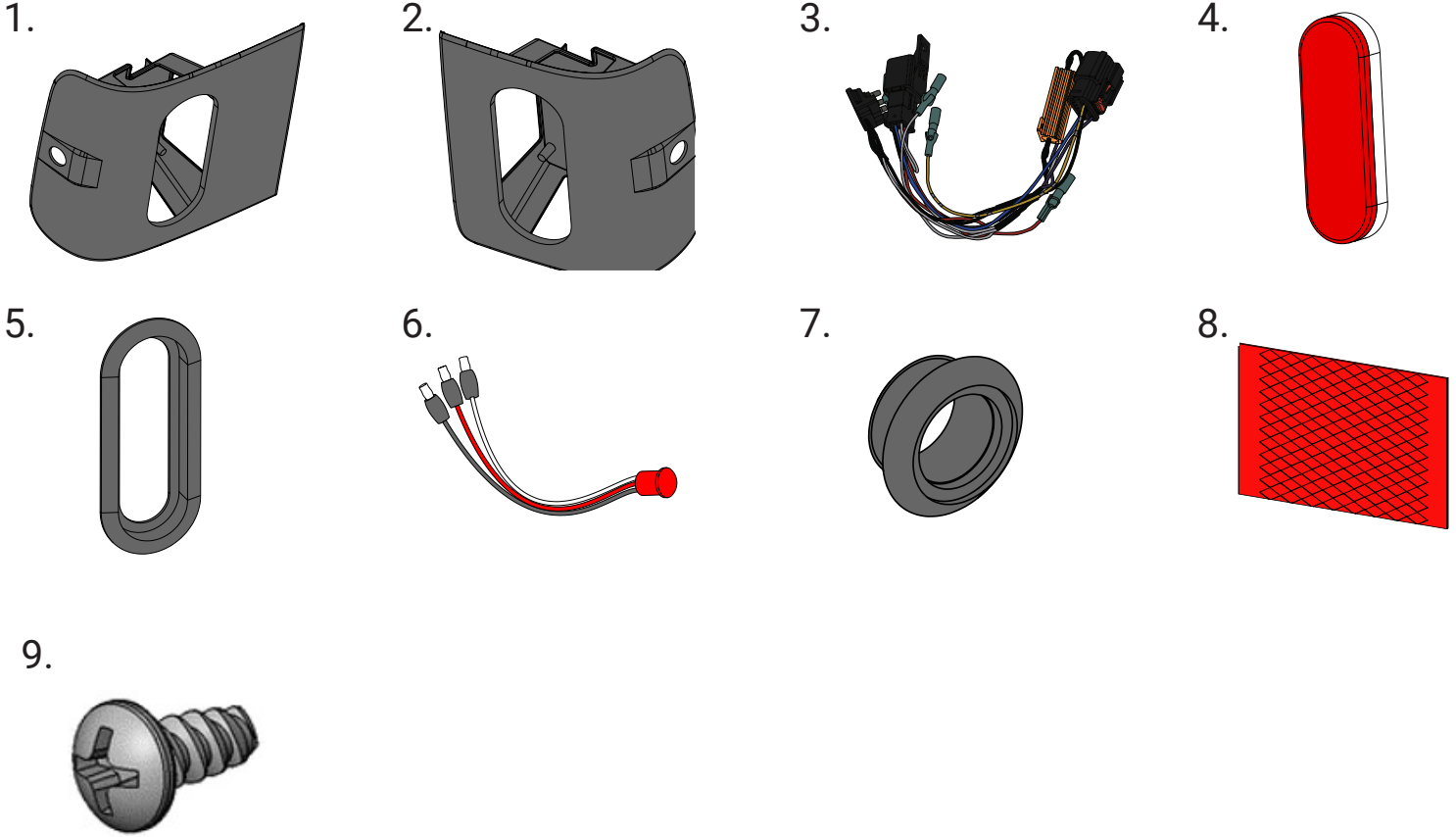


Part # 11652.01

Components and Hardware:



Components and Hardware:

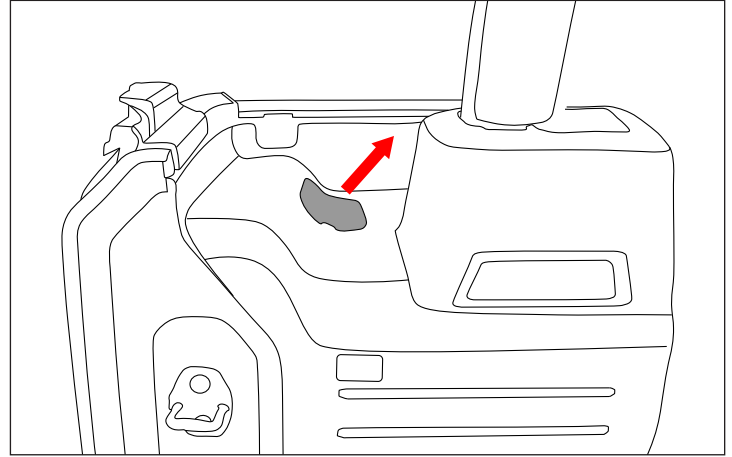
1. Left Tail Light Mount.....	(1)
2. Right Tail Light Mount.....	(1)
3. Wire Harness.....	(2)
4. Oval Light.....	(2)
5. Oval Light Grommet.....	(2)
6. Round Light.....	(2)
7. Round Light Grommet.....	(2)
8. Reflector Tape.....	(4)
9. No 4 Phillips Screw.....	(6)
10. Adhesive Promoter.....	(1)

Tools for Installation:

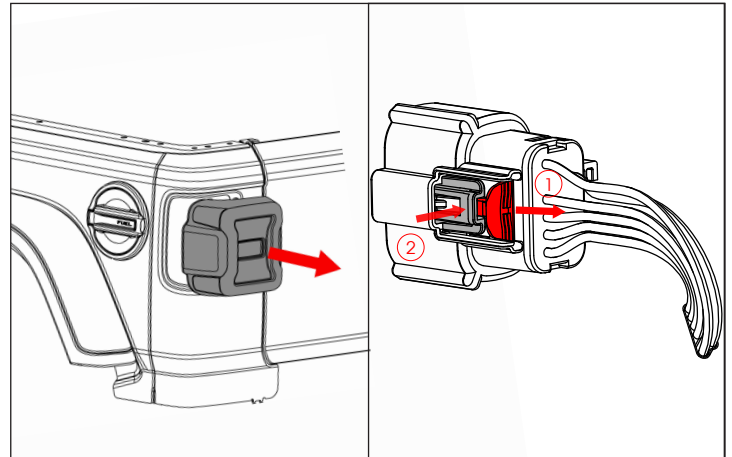
- 10mm Socket
- T40 Torx Socket
- No 2 Phillips Head Screw Driver
- Isopropyl Alcohol

Flush Mount Tail Light, JL

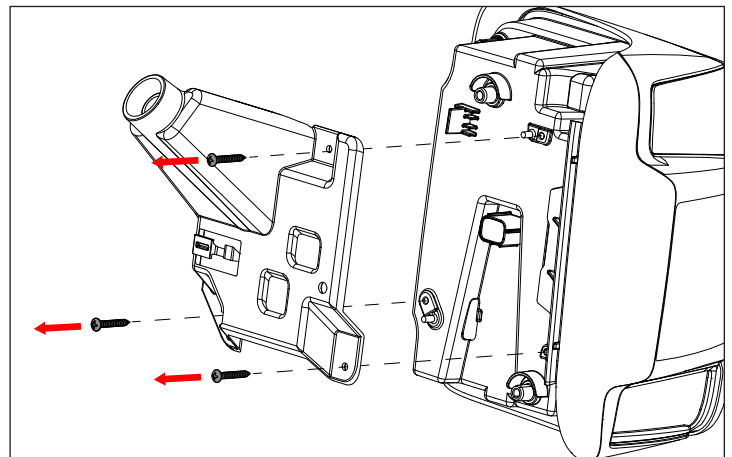
1. Lift plastic cover in cargo area to gain access to tail light mounting bolt.



2. Using either a 10mm or T40 torx socket, unscrew OE mounting bolt and carefully pull tail light away from vehicle. Unplug tail light by sliding red tab first. Then press down on gray tab and gently pull plug from light.

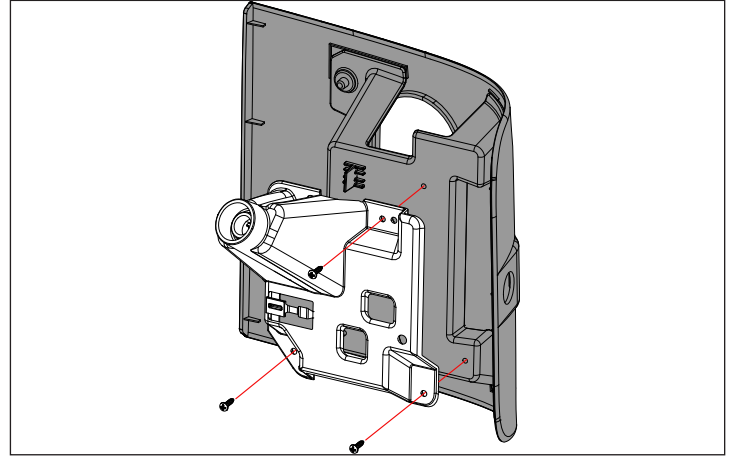


3. Remove OE mounting bracket by unscrewing Phillips head screws.

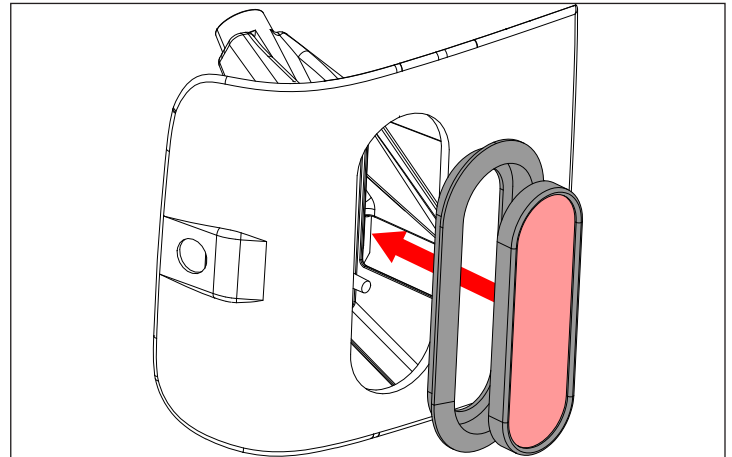


Flush Mount Tail Light, JL

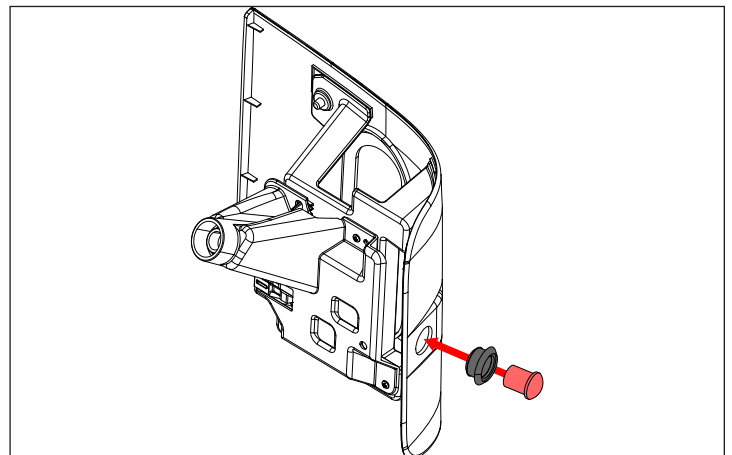
4. Using supplied No 4. Phillips screws(#9), attach tail light mount(1&2) to OE mounting bracket.



5. Affix the oval light grommet(#5) into tail light mount. Press the oval light(#4) into the oval light grommet.

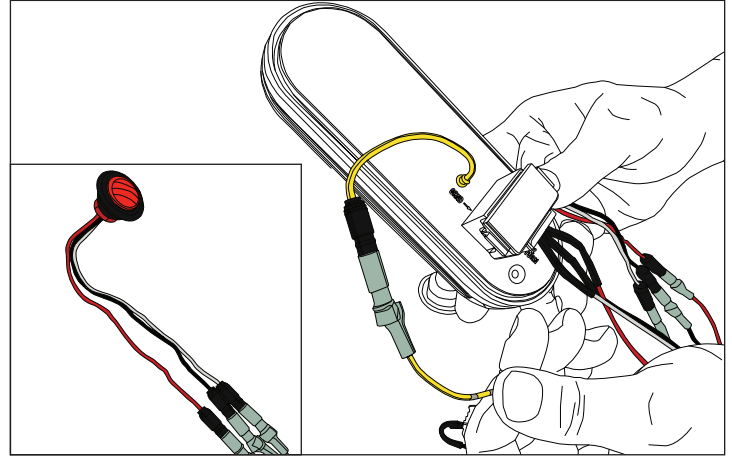


6. Affix the round light grommet(#7) into tail light mount. Press the round light(#6) into the round light grommet.

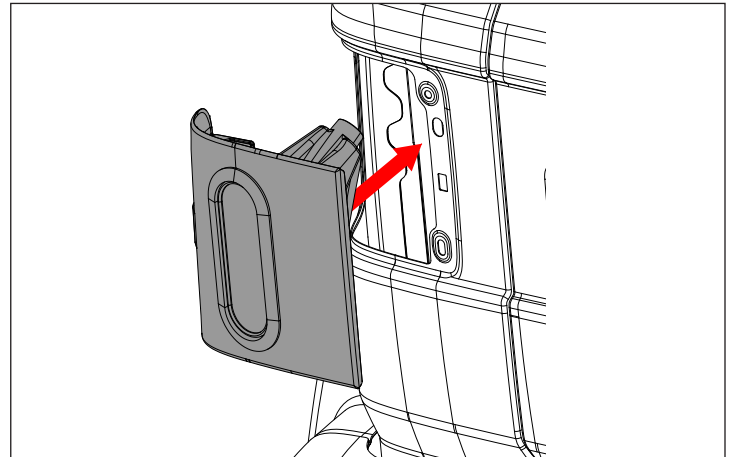


Flush Mount Tail Light, JL

7. Connect the oval and round lights to the supplied wire harness(#3). Wires on the harness and lights are color coded. Connect each wire from the light to the color matched wire on the harness.



8. Connect wire harness into factory wire harness. Reusing the OE tail light mounting bolt, attach flush style light to vehicle.



9. **Note:** The reflective tape needs to be visible from both the side and the rear of the vehicle.

To attach Reflective Tape(#8), first clean the surface of where you want to attach the tape using isopropyl alcohol. Then apply adhesive promotor(#10) to the surface and let it sit for 2 minutes. Remove protective film on the reflective tape and then attach tape to prepared surface.

