

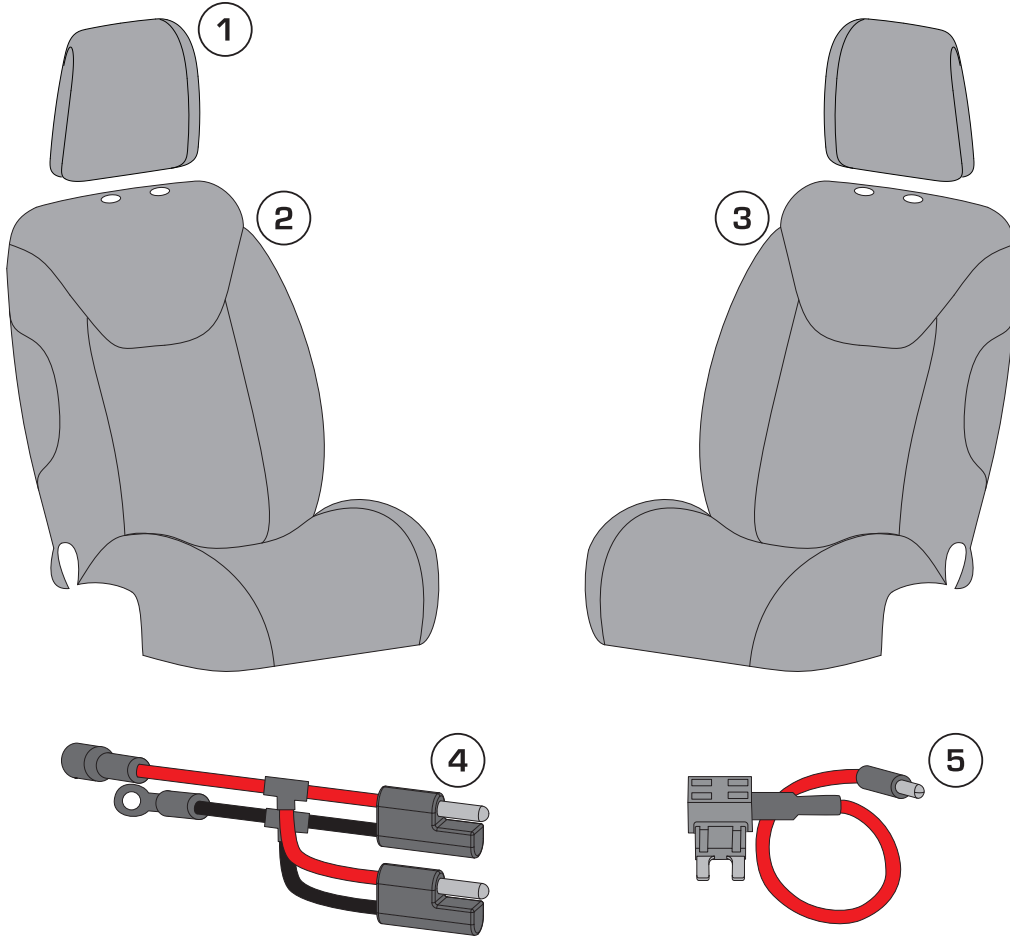


OMIX-ADA, Inc.

Part # 13216.03  
13216.04

460 HORIZON DR. SUITE 400 | SUWANEE, GA 30024 | PHONE: 770-614-6101 | FAX: 770-614-6069 | www.omix-ada.com

# Heated Elite Ballistic Seat Cover



## Components

- |                             |     |                   |     |
|-----------------------------|-----|-------------------|-----|
| 1. Head Rest Cover          | (2) | 4. Wiring Harness | (1) |
| 2. Heated Seat Cover, Left  | (1) | 5. Fuse Tap       | (1) |
| 3. Heated Seat Cover, Right | (1) |                   |     |

### **WARNING**

**To reduce risk of accident injury:** Follow all vehicle manufacturer's instructions regarding side air bag safety messages along with application and installation instructions for your Rugged Ridge Elite Heated Seat Cover.

- Fit and maintain sides of seat cover as tight to seat as possible, always matching front to side seam of seat with similar panels and seams of seat cover.
- Do not use and replace if seat cover becomes damages or wear no longer allows tight fit to seat sides.

### OMIX-ADA® TECHNICAL SUPPORT

PHONE: M-F 8am - 5pm EST 1-800-449-6649 | TICKET: [www.omixsupport.com](http://www.omixsupport.com)

FOR WARRANTY INFORMATION VISIT: [www.Omix-Ada.com](http://www.Omix-Ada.com)



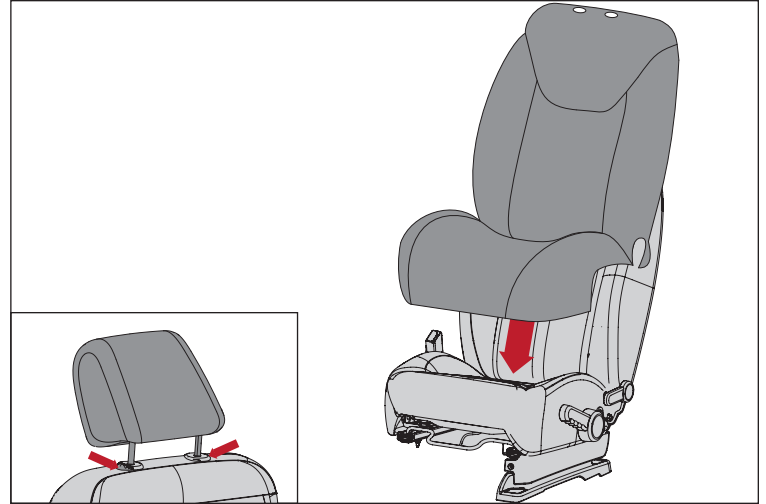
OMIX-ADA, Inc.



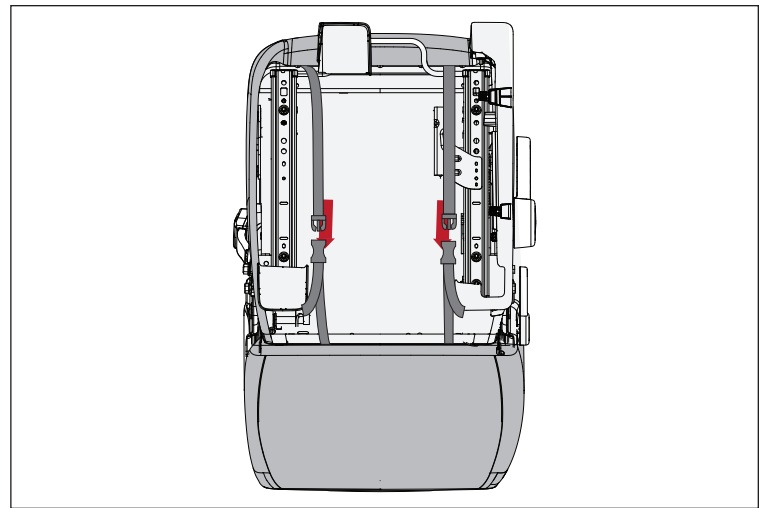
460 HORIZON DR. SUITE 400 | SUWANEE, GA 30024 | PHONE: 770-614-6101 | FAX: 770-614-6069 | www.omix-ada.com

## Heated Elite Ballistic Seat Cover

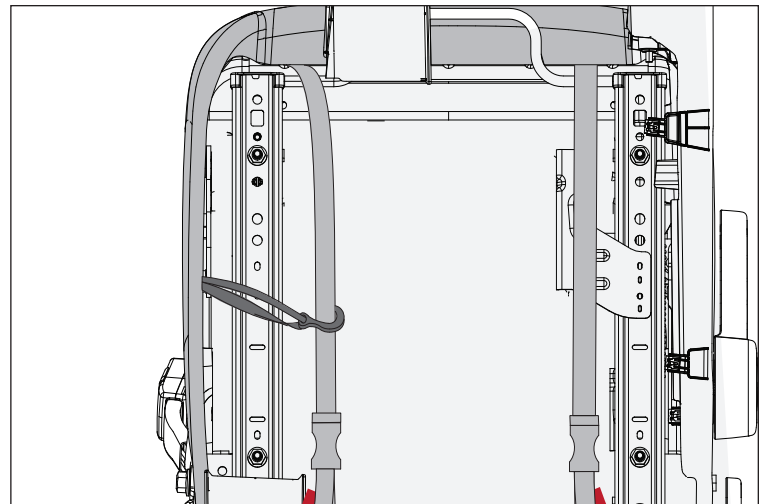
1. Remove headrest from seat.
2. Slide cover over top of front seat.
3. Push rear buckles, wiring, and fabric through crease in bottom of seat.



4. Fit bottom portion of seat cover to front of seat and secure buckles under seat as shown on right. Tighten straps.



5. Secure side hooks to buckles under seat as shown.



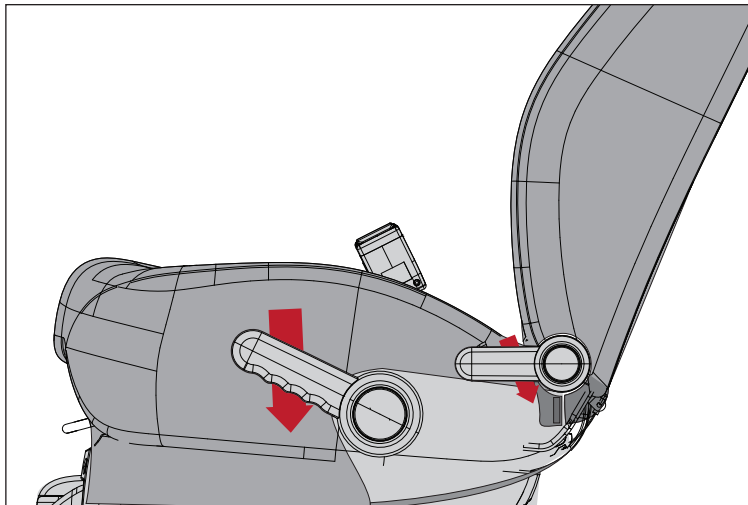


OMIX-ADA, Inc.

460 HORIZON DR. SUITE 400 | SUWANEE, GA 30024 | PHONE: 770-614-6101 | FAX: 770-614-6069 | www.omix-ada.com

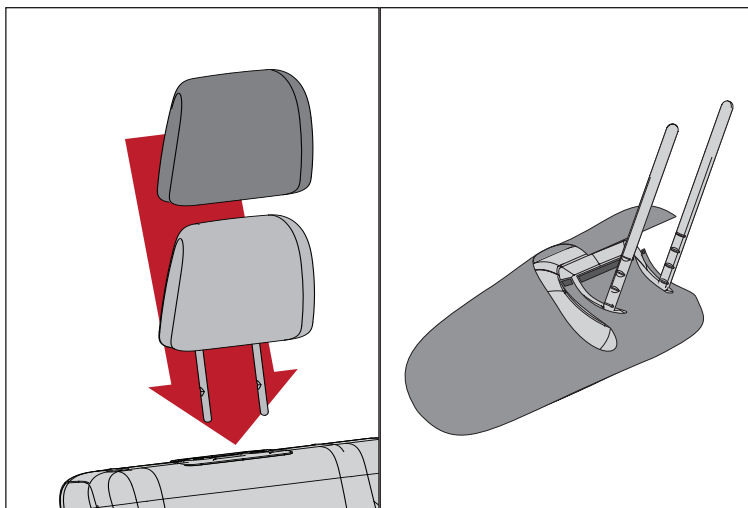
## Heated Elite Ballistic Seat Cover

6. Fit rear side fabric around seat adjustment knob and fasten hook and loop strips.

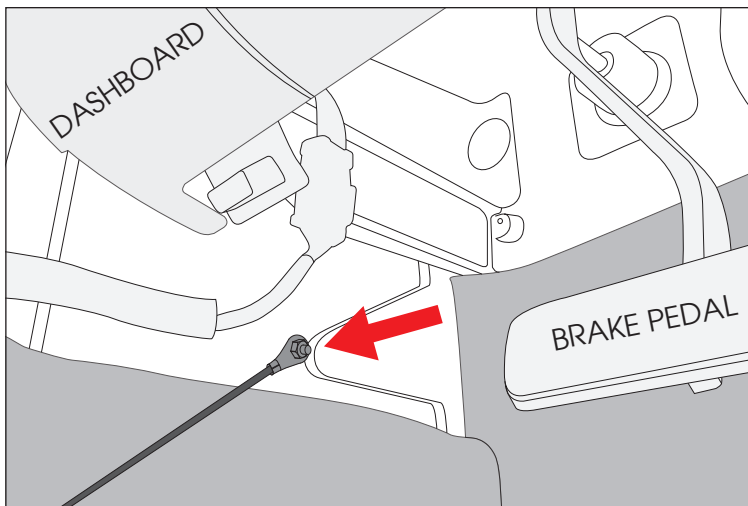


7. For 2007-2010 models, slide Head Rest Covers over head rests. For 2011-2018 models, slide Head Rest Covers over head rests and fasten hook and loop strips.

8. Reinstall head rest on seat.



9. Attach black ground wire to ground stud in driver side footwell near door.



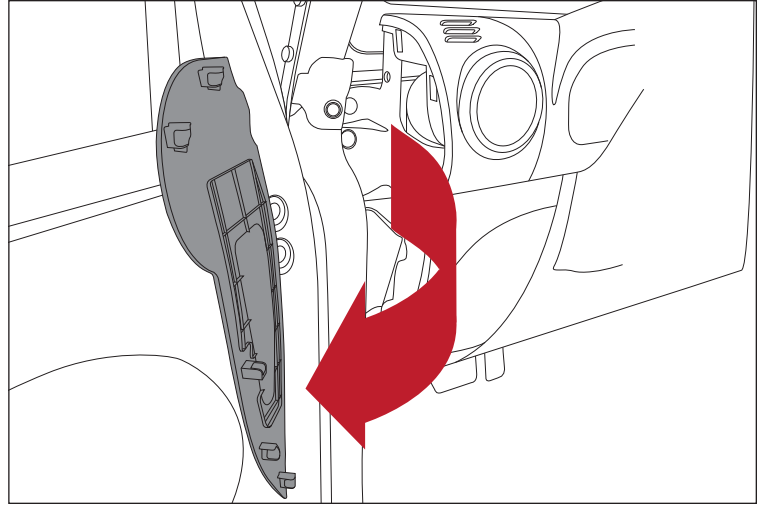


OMIX-ADA, Inc.

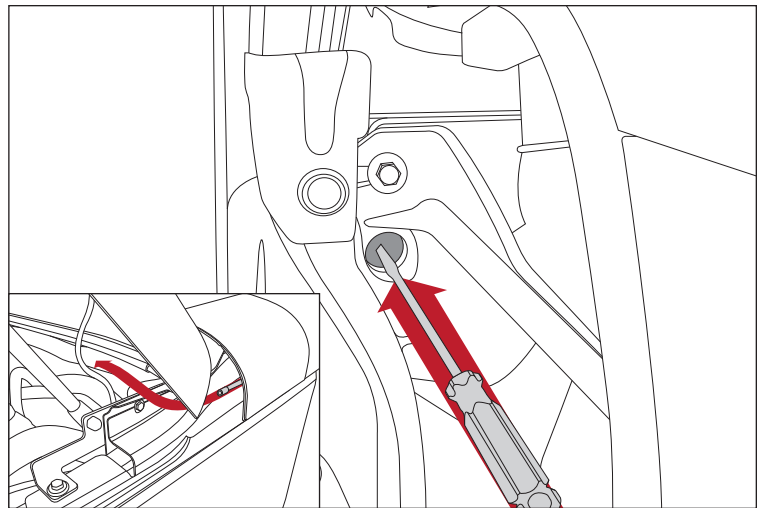
460 HORIZON DR. SUITE 400 | SUWANEE, GA 30024 | PHONE: 770-614-6101 | FAX: 770-614-6069 | www.omix-ada.com

## Heated Elite Ballistic Seat Cover

10. Remove driver side dashboard panel.



11. Using long screwdriver, poke hole through body filler foam and route red power wire through new hole. Use of long probe to route wire through cowl may be necessary.

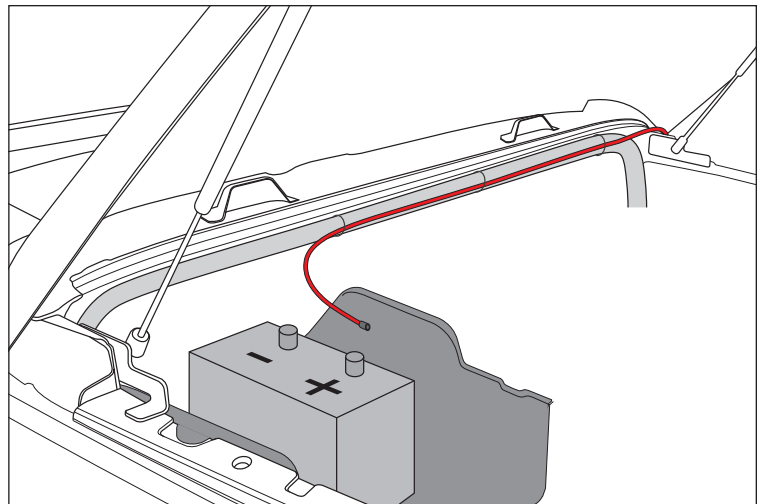


12. Reinstall side dashboard panel.

13. Route power wire along wire harness on firewall and secure with zip ties.

### NOTICE

If desired, rubber seal along top of firewall can be removed and power wire tucked underneath for cleaner install.





OMIX-ADA, Inc.

460 HORIZON DR. SUITE 400 | SUWANEE, GA 30024 | PHONE: 770-614-6101 | FAX: 770-614-6069 | www.omix-ada.com

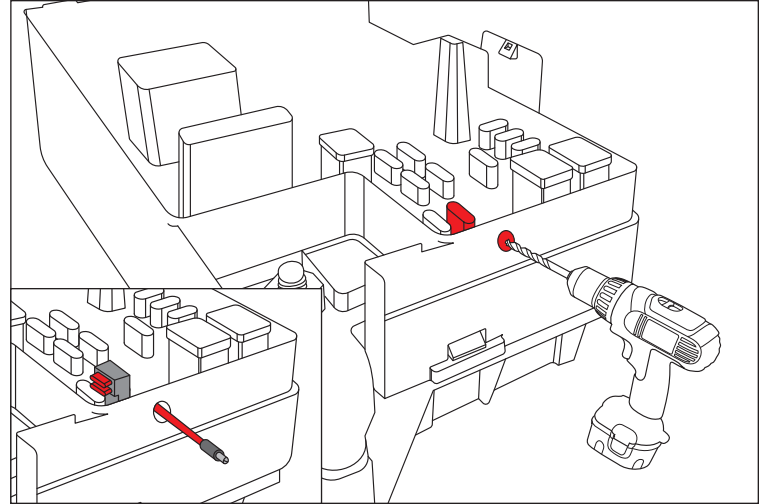
## Heated Elite Ballistic Seat Cover

14. Open fusebox and replace IGN fuse with supplied Fuse Tap (IGN fuse located in spot M27). Drill 1/4" hole in side of fuse box nearest engine and route Fuse Tap through. Fill wire opening with silicon gasket maker to ensure water tight seal.

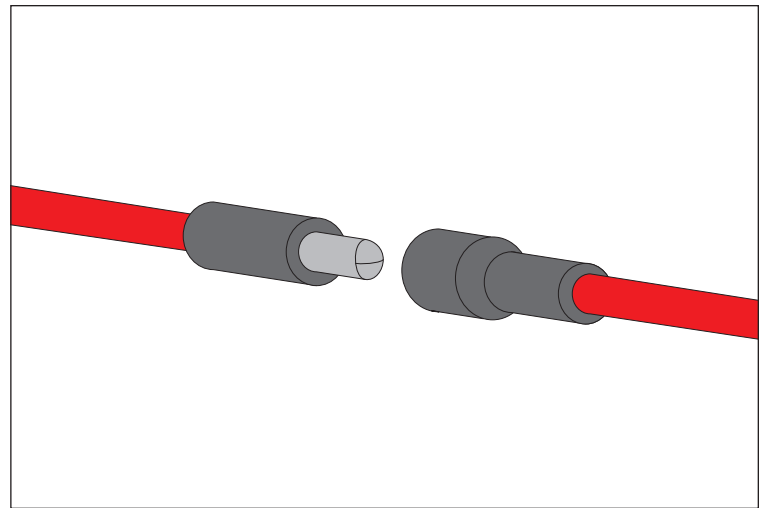
### **WARNING**

Do not use fuse spot other than M27 (10A).

Always wear safety glasses during any drilling operation.



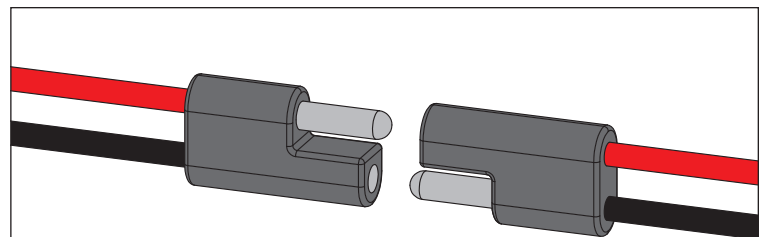
15. Connect power wire to Fuse Tap used in Step 14. Secure wire to vaccum lines with zip ties.



16. Connect right and left side heated seat cover power wires to wire harness. To operate Heated Seat Covers, turn key to ON position and set switch to desired temperature (Hot/Off/Warm).

### **NOTICE**

Heated Seat Covers only operate when key is in ON position.



HOT

OFF

WARM