

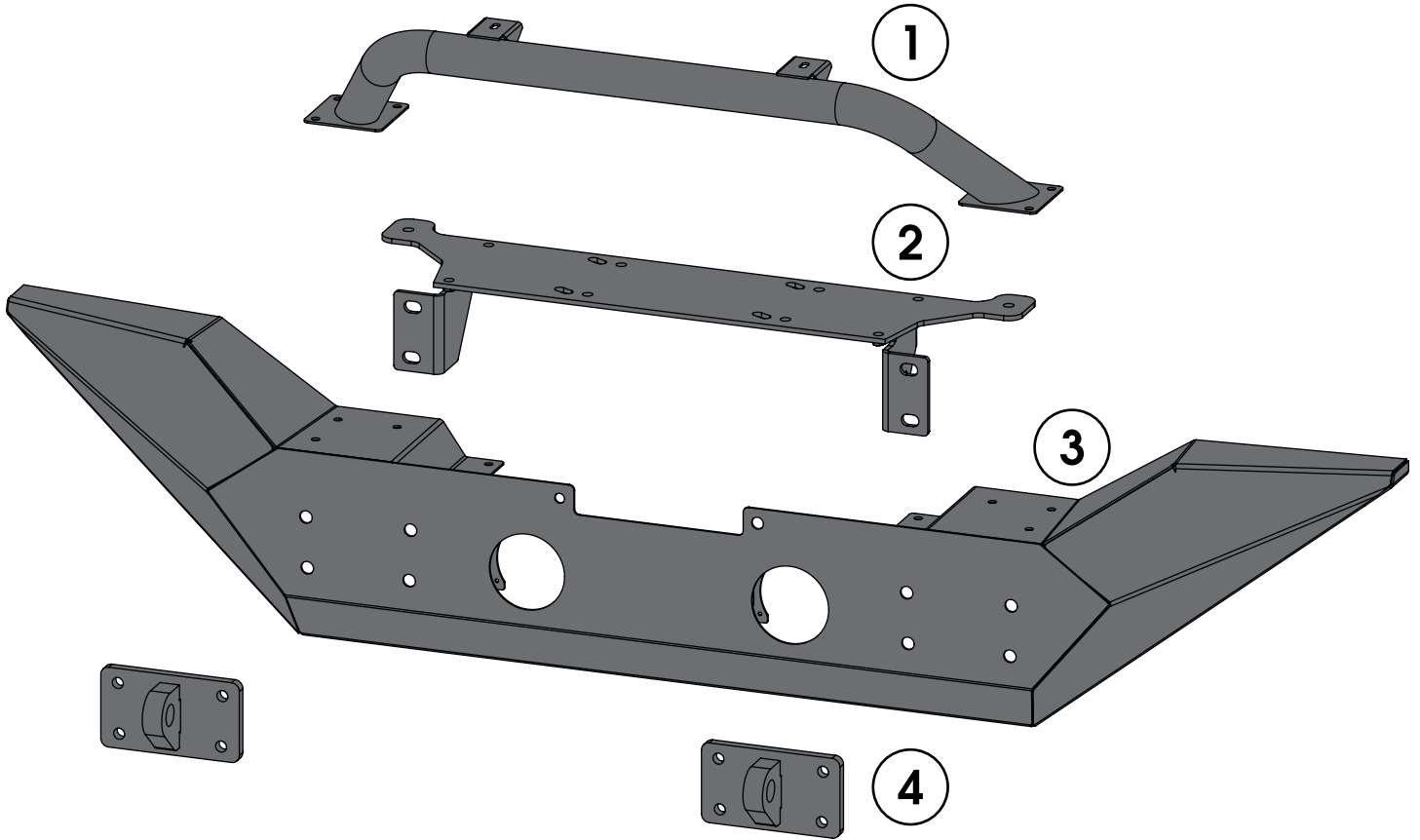


OMIX-ADA, Inc.

460 HORIZON DR. SUITE 400 | SUWANEE, GA 30024 | PHONE: 770-614-6101 | FAX: 770-614-6069 | info@omix-ada.com

Part # 11548.01

# Spartan Front Bumper, High Clearance Ends



## Components

- |                |     |                         |     |
|----------------|-----|-------------------------|-----|
| 1. Override    | (1) | 3. Spartan Front Bumper | (1) |
| 2. Winch Plate | (1) | 4. D-Shackle Tab        | (2) |

### OMIX-ADA® TECHNICAL SUPPORT

PHONE: M-F 8am - 5pm EST 1-800-449-6649 | EMAIL: techsupport@omix-ada.com

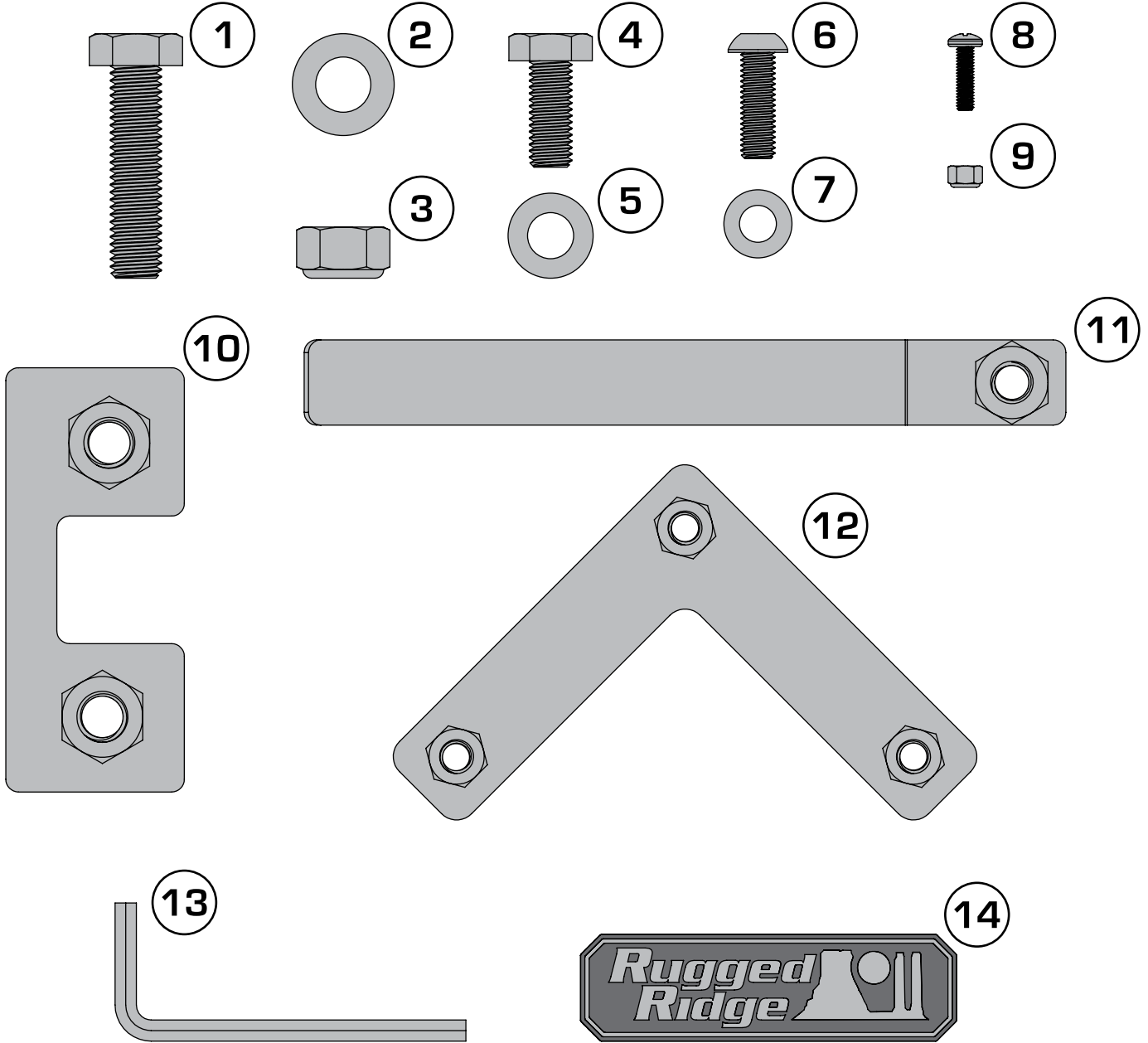
FOR WARRANTY INFORMATION VISIT: [www.Omix-Ada.com](http://www.Omix-Ada.com)



OMIX-ADA, Inc.

460 HORIZON DR. SUITE 400 | SUWANEE, GA 30024 | PHONE: 770-614-6101 | FAX: 770-614-6069 | info@omix-ada.com

## Spartan Front Bumper, High Clearance Ends



### Components

- |                    |      |                    |     |
|--------------------|------|--------------------|-----|
| 1. M12 Bolt        | (8)  | 8. M4 Screw        | (8) |
| 2. M12 Flat Washer | (12) | 9. M4 Lock Nut     | (8) |
| 3. M12 Lock Nut    | (4)  | 10. M12 Nut Plate  | (2) |
| 4. M10 Bolt        | (2)  | 11. M10 Nut Plate  | (2) |
| 5. M10 Flat Washer | (2)  | 12. M8 Nut Plate   | (2) |
| 6. M8 Bolt         | (10) | 13. 5mm Hex Wrench | (1) |
| 7. M8 Flat Washer  | (10) | 14. Badge Logo     | (1) |

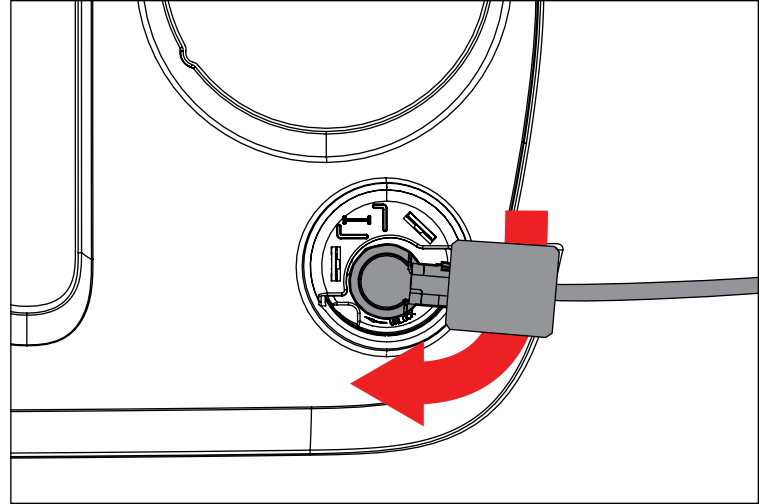


OMIX-ADA, Inc.

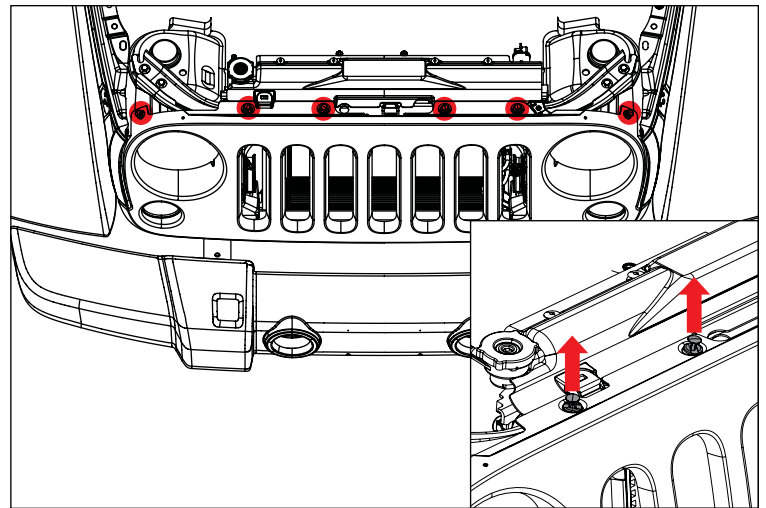
460 HORIZON DR. SUITE 400 | SUWANEE, GA 30024 | PHONE: 770-614-6101 | FAX: 770-614-6069 | info@omix-ada.com

## Spartan Front Bumper, High Clearance Ends

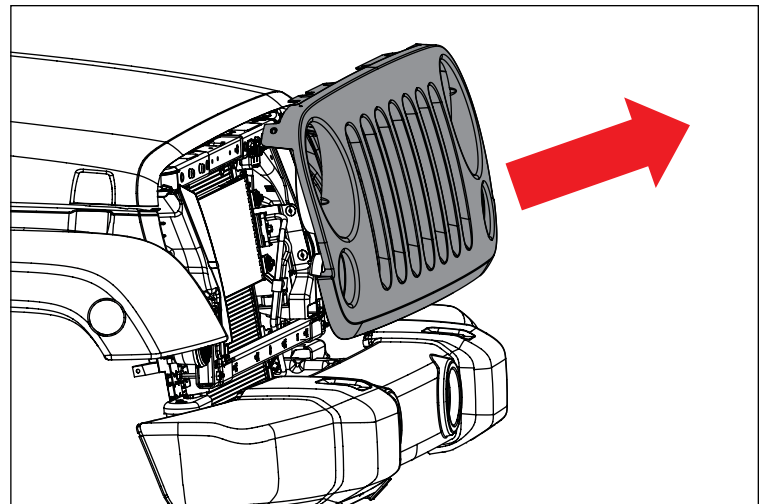
1. Disconnect factory turn signal from behind grille. Rotate bulb assembly down and towards center of vehicle. Pull bulb assembly out of turn signal housing.



2. Raise hood and remove (6) plastic pop rivets. First pull up on center pin to disengage rivets, then pull entire pop rivet up and out of grille.



3. Pull bottom of grille away from vehicle to disengage metal clips on bottom rear of grille.



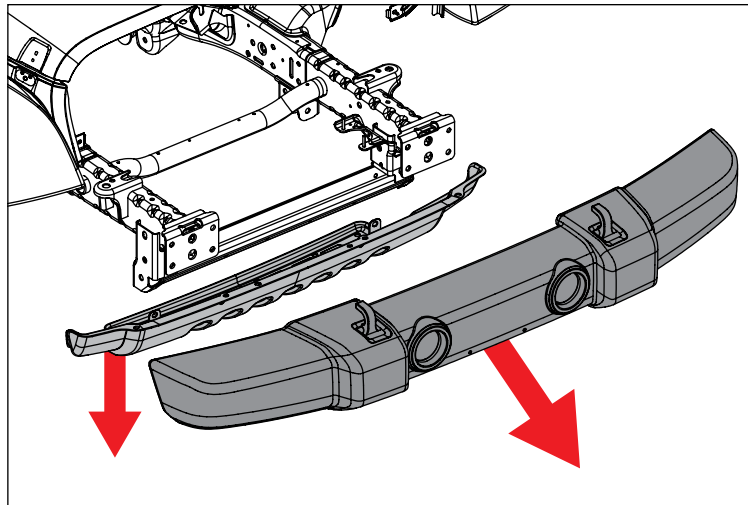


OMIX-ADA, Inc.

460 HORIZON DR. SUITE 400 | SUWANEE, GA 30024 | PHONE: 770-614-6101 | FAX: 770-614-6069 | info@omix-ada.com

## Spartan Front Bumper, High Clearance Ends

4. Remove factory under tray by releasing plastic fasteners along frame. Disconnect factory fog lights and remove front bumper.

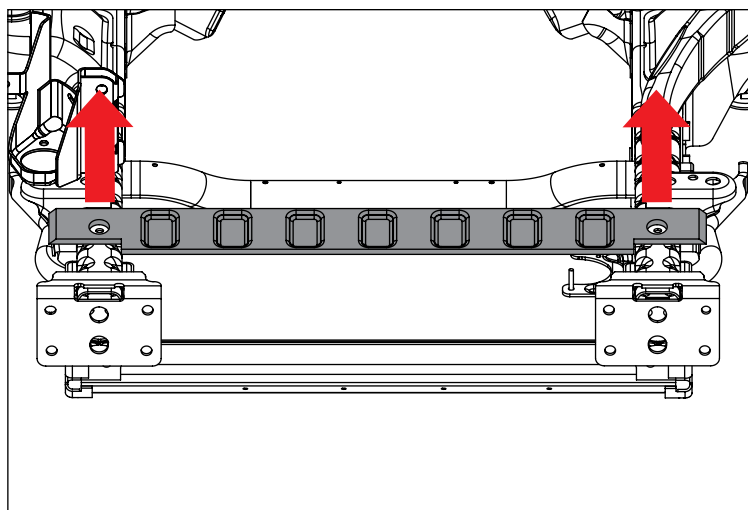


5. Remove factory closeout panel by releasing plastic fasteners along frame rails.

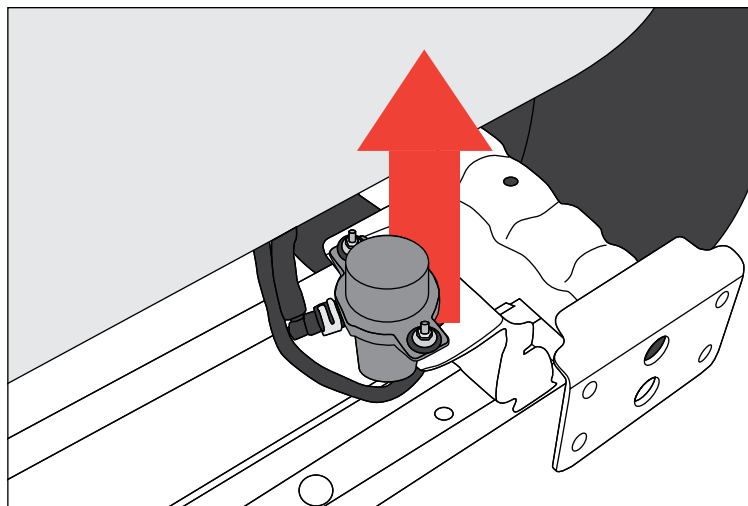
### NOTICE

Proceed to Step 6 if installing on 2012 to 2017 Wrangler.

Skip to Step 9 if installing on 2007 to 2011 Wrangler.



6. Unbolt factory vacuum pump and set aside.



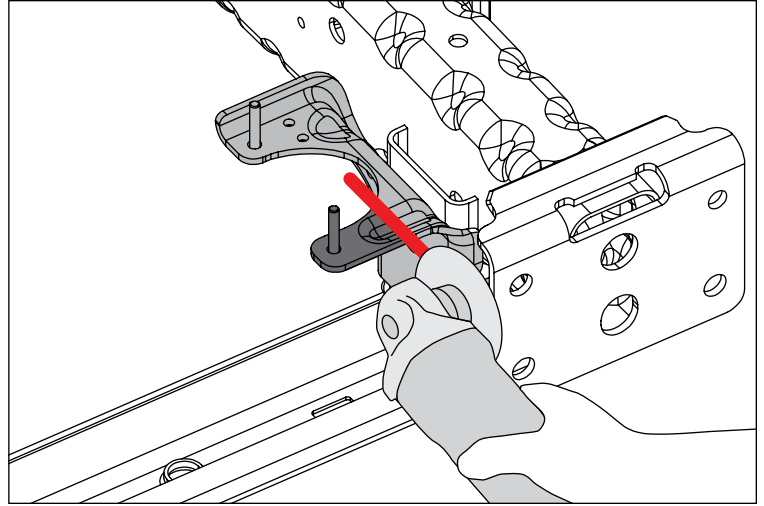


OMIX-ADA, Inc.

460 HORIZON DR. SUITE 400 | SUWANEE, GA 30024 | PHONE: 770-614-6101 | FAX: 770-614-6069 | info@omix-ada.com

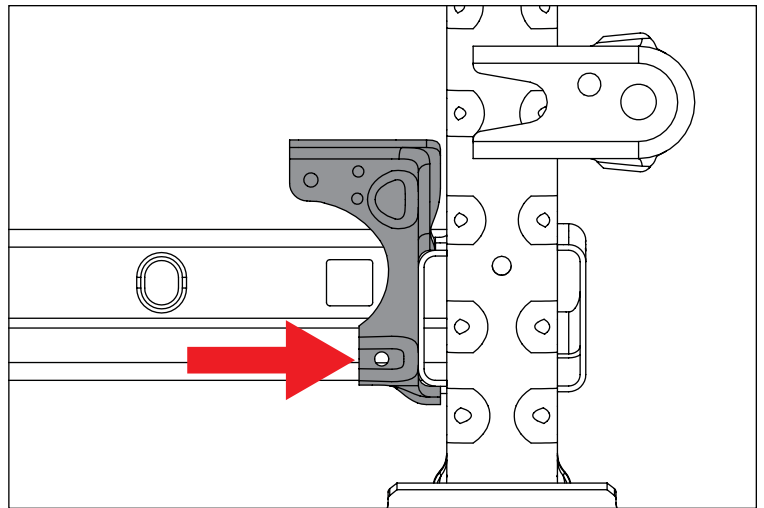
## Spartan Front Bumper, High Clearance Ends

7. Using cutoff wheel, cut 2" off frontmost tab of vacuum pump mounting bracket.

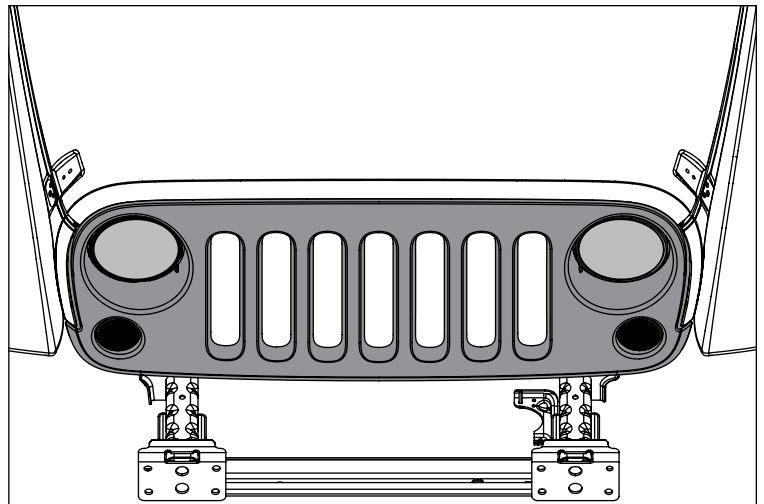


8. Drill a 5/16" hole through cut vacuum pump mounting bracket 1/2" from cut edge.

Deburr all sharp edges and coat exposed metal to prevent rust.



9. Reinstall grille on vehicle and insert bulb assemblies in turn signal housings.





OMIX-ADA, Inc.

460 HORIZON DR. SUITE 400 | SUWANEE, GA 30024 | PHONE: 770-614-6101 | FAX: 770-614-6069 | info@omix-ada.com

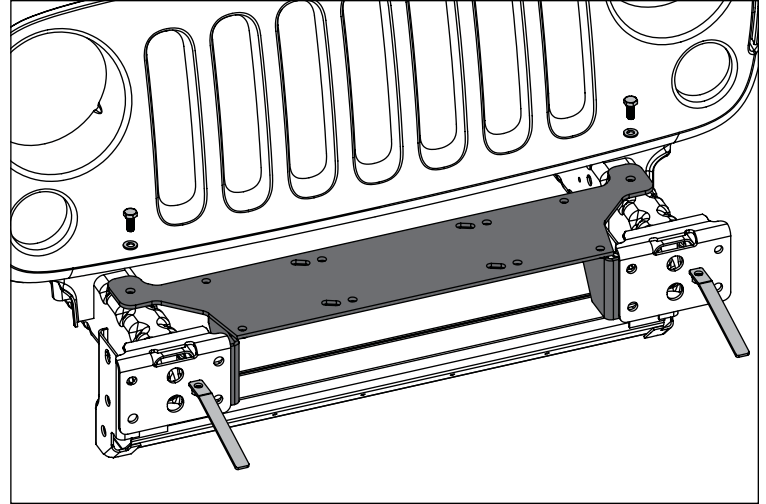
## Spartan Front Bumper, High Clearance Ends

10. Loosely install Winch Plate with supplied M10 hardware by inserting M10 Nut Plates in opening of frame horns.

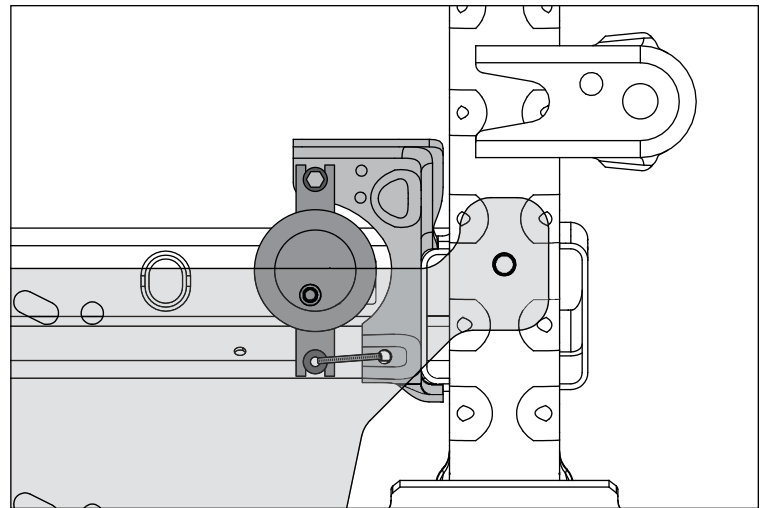
### NOTICE

Proceed to Step 11 if installing on 2012 to 2017 Wrangler.

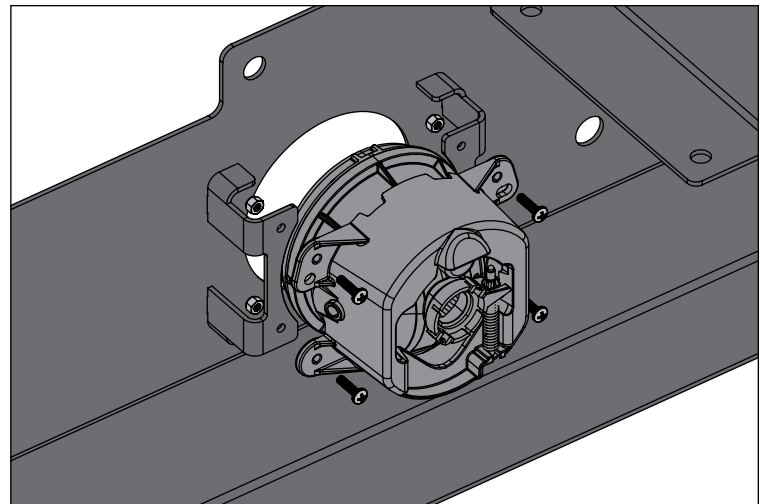
Skip to Step 12 if installing on 2007 to 2011 Wrangler.



11. Using factory hardware, reattach vacuum pump to backmost mounting point and secure front tab with zip tie.



12. Remove fog lights from factory bumper and install on Spartan Front Bumper using supplied M4 hardware.





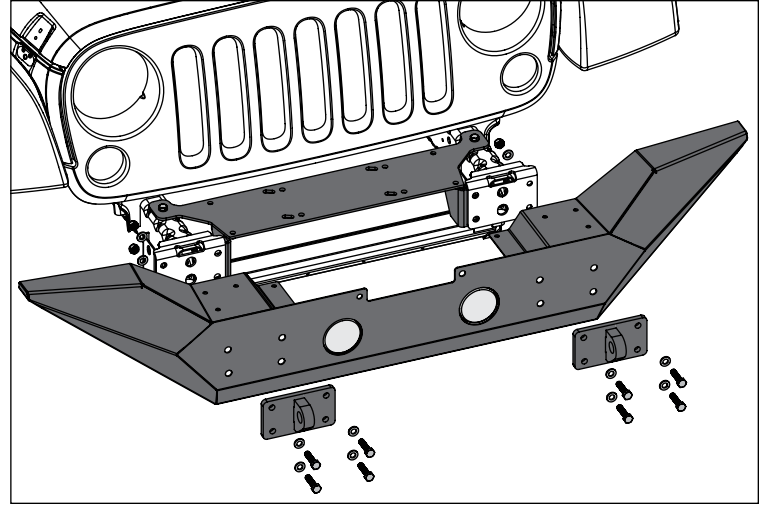
OMIX-ADA, Inc.



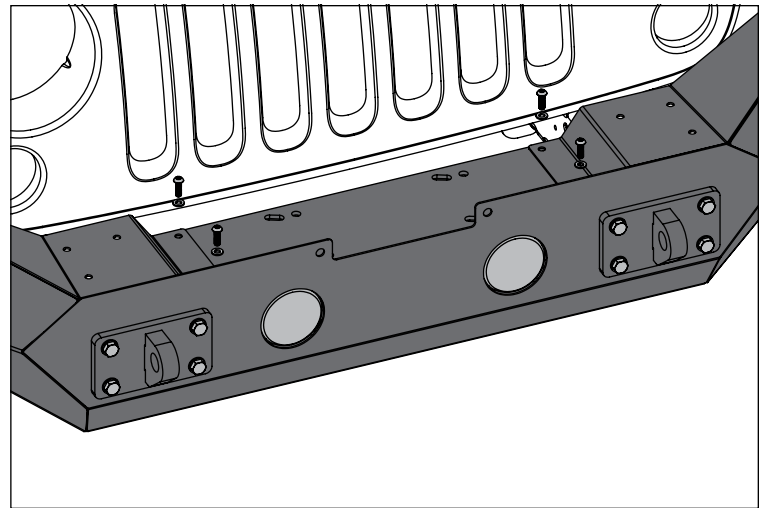
460 HORIZON DR. SUITE 400 | SUWANEE, GA 30024 | PHONE: 770-614-6101 | FAX: 770-614-6069 | info@omix-ada.com

## Spartan Front Bumper, High Clearance Ends

13. Loosely install Spartan Front Bumper and D-Shackle Tabs using supplied M12 hardware. M12 Nut Plates are designed for mounting behind Winch Plate.



14. Fasten Spartan Front Bumper to Winch Plate using supplied M8 hardware. Tighten all fasteners and reconnect fog lights.



15. Install Override using supplied M8 hardware and nut plates.

If desired, apply Badge Logo above right D-Shackle Tab.

