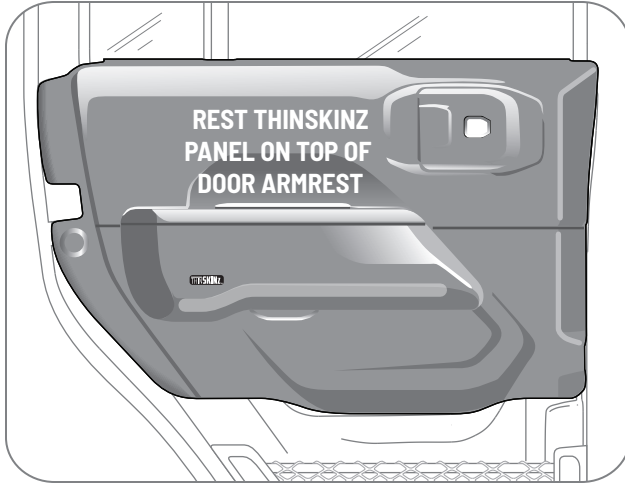
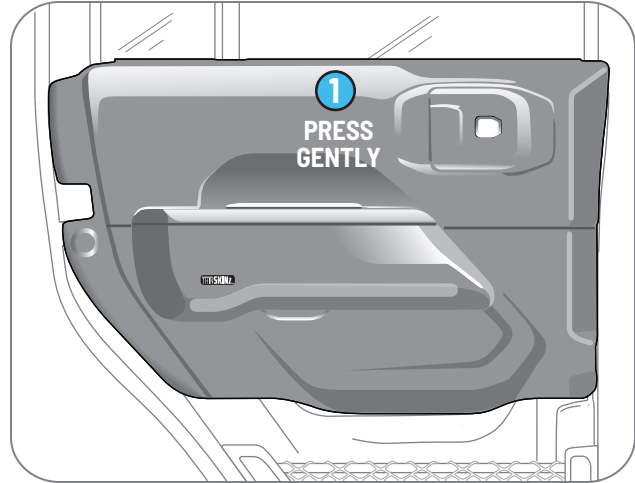


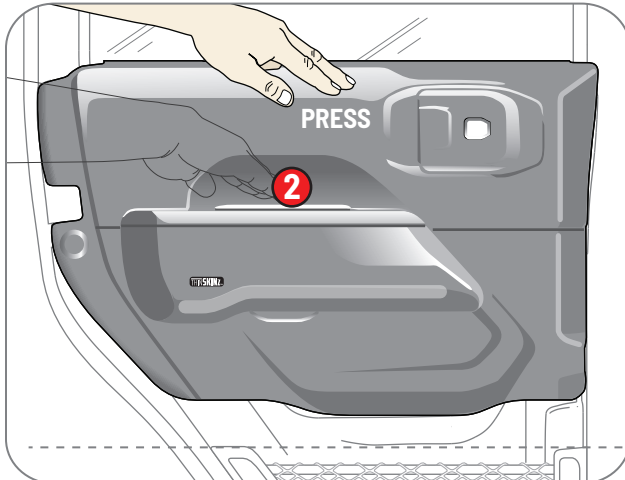
### Installation & Removal



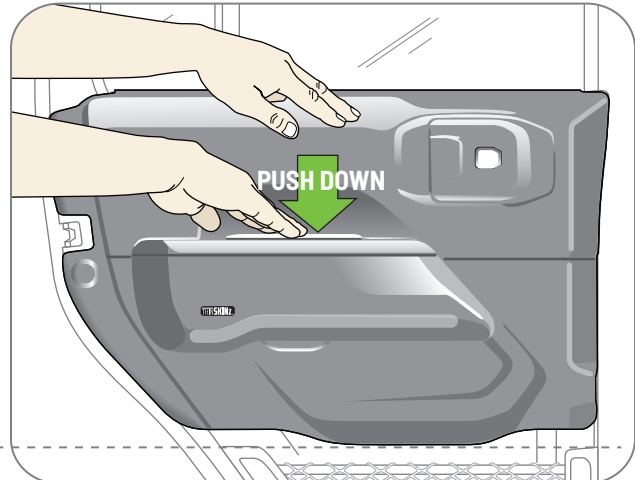
1. Rest ThinSkinz™ shell on the arm rest of door.



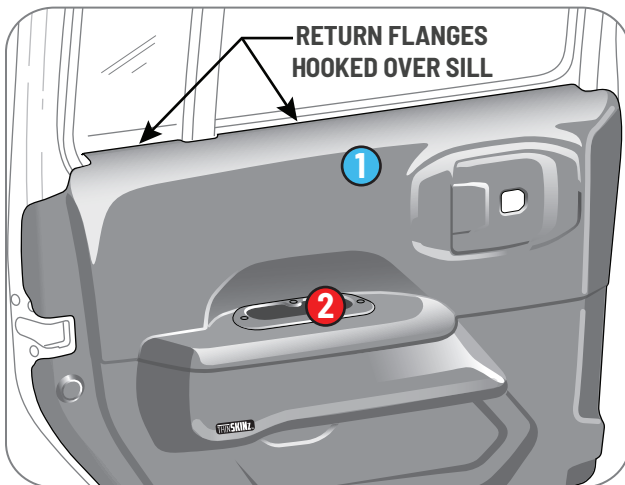
2. Press Point 1, gently towards door.



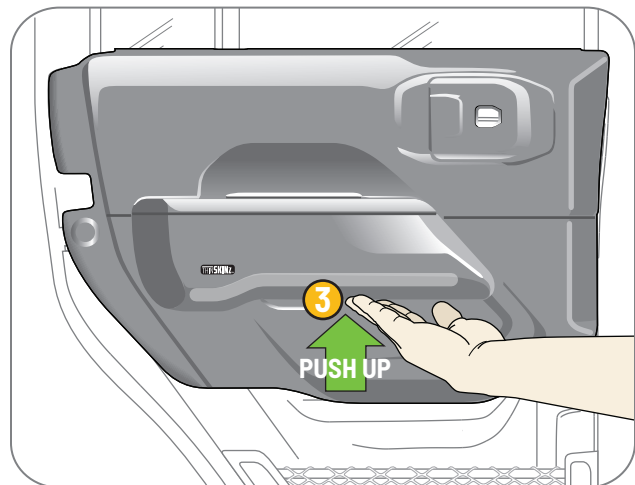
3. While pressing on Point 1, Place the fingers of your other hand at Point 2.



4. Push Point 2 downward and toward door while pressing on Point 1 until panel locks into position.



5. Check that the return flanges are hooked over window sill



6. To remove, push up on Point 3 underneath armrest.

