

# Owner Manual



## Wedg-E Loaded Enclosure

### Introduction

Congratulations on purchasing the PSS-CAM. This installation manual is designed to take you through the step-by-step installation of PSS-CAM into a 2018-Up CAN-AM Maverick. Please familiarize yourself with the owners manual as this is a challenging installation. If you still have additional questions please call 1-800-TECH-101.



### Note

Design and specifications are subject to change without notice for improvement.





### To Ensure Safe Use, Always Follow These Precautions

- The installation of this product requires specialized skills and experience. This is an installation that is challenging and time consuming even for installers with experience. A professional installer would typically take a minimum of 4-6 hours to complete this installation. We recommend that you have the product installed by an Alpine authorized dealer.
- Before you use this product, be sure to carefully read this installation manual and the separate user's manual so that you can use the product correctly. Alpine Electronics bears no responsibility for problems that arise as a result of failure to follow the instructions in the manuals.
- This manual includes a number of symbols that are intended to help you use the product safely, to prevent harm to you and others, and to protect against damage to property. These symbols and their meanings are listed below. Make sure you fully understand these symbols before you begin reading the main text.


### Explanation of Injury and Damage That May Result from Incorrect Use


 <b>Warning</b>	<b>Ignoring the content marked by this indication and using the product incorrectly is expected to lead to death or serious injury.</b>
 <b>Caution</b>	<b>Ignoring the content marked by this indication and using the product incorrectly is only expected to lead to injury or property damage.</b>



**Types of Precautions**


 Forbidden	Indicates actions that are forbidden (must not be performed)
 Forbidden	Indicates that disassembly is forbidden.
 Mandatory	Indicates actions that are mandatory (must be performed)
	Marks content that should receive your full attention.


 **Warning**


**Do not disassemble or modify the product. Doing so could lead to an accident, fire, or electric shock.**  Forbidden

**Store screws and other small objects where children cannot reach them. If one of those small objects is swallowed, consult with a doctor immediately.** 


**When replacing fuses be sure to use the fuses with the specified current rating. Failing to do so could lead to an accident or fire.**   Mandatory Forbidden


**Only connect the product to a 12 VDC negative ground car. Failing to do so could lead to an accident or fire.**  Mandatory


**Since this vehicle has two batteries, disconnecting the battery is not a good option. Take caution when testing circuits. Failing to do so could lead to electric shock or injury.** 


**Do not cut the insulation on a cord and take power from another device. Doing so could lead to fire or electric shock.**  Forbidden

**Do not install the product in a location where it will obstruct the driver's forward view; interfere with the operation of the steering wheel, gear shift, or the like; or pose a threat to passengers. Doing so could lead to an accident or injury.**  Forbidden

**When making a hole in the vehicle body, be careful to avoid damaging pipes, the fuel tank, electrical wiring, and the like. This kind of damage could lead to an accident or fire.** 


**When installing and grounding the product, do not use any of the bolts or nuts of the steering wheel, brakes, fuel tank, or the like. Doing so could make the brakes stop working or could lead to fire.**  Forbidden

**Do not install the product near the passengerside airbag. Doing so could interfere with the operation of the airbag and lead to an accident or injury.**  Forbidden


**Bundle cords so that they don't interfere with driving. Wrapping cords around the steering wheel, gearshift, brake pedal, or the like could lead to an accident or damage equipment.** 


 **Caution**


**Connect the product properly according to the instructions. Failing to do so could lead to fire or an accident.**  Forbidden

**Do not sandwich cords between the seat railing or allow them to touch protrusions. Resulting breaks or shorts could lead to electric shock or fire.** 

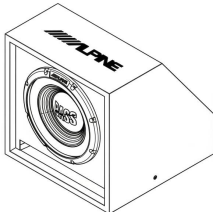
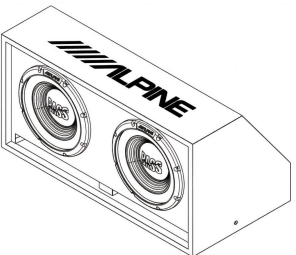
**Do not block vents or heat sinks. Doing so could lead to fire or damage equipment.** 

**Use the accessories according to the instructions, and attach them securely. Failing to do so could lead to an accident or damage equipment.**  Forbidden

**Do not install the product where it may be exposed to water or in a place with high levels of humidity or dust. Doing so could lead to fire or damage equipment.**  Forbidden

**The installation and wiring of this product requires specialized skills and experience. Have the product installed by an Alpine authorized dealer.** 

### Parts List \* Only 1 enclosure included

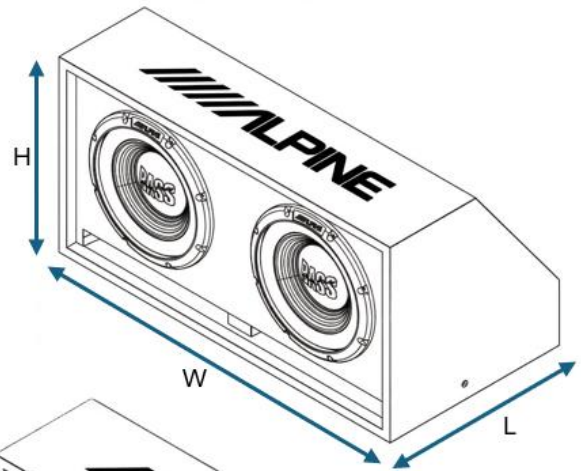
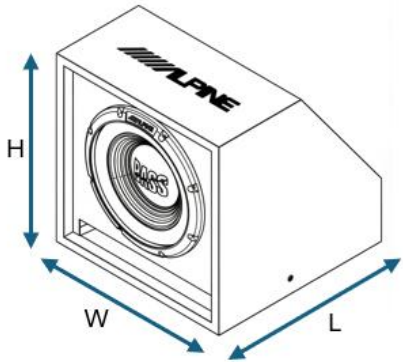
W-SB10V/W-SB12V*	W-DB10V/W-DB12V*	
		

### Single

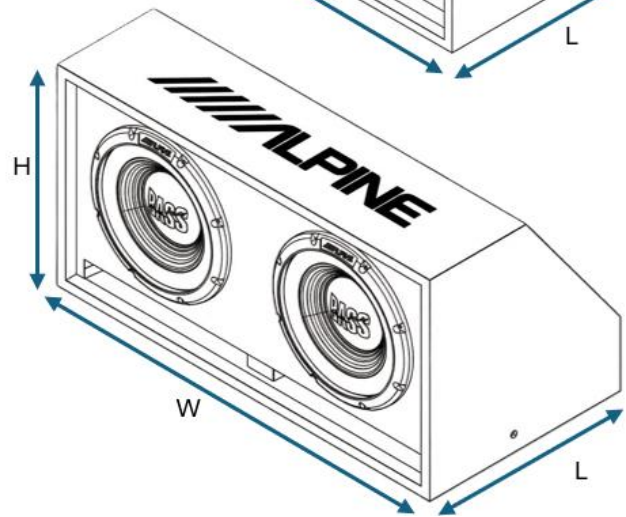
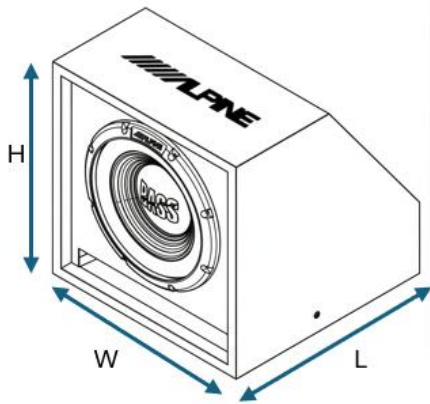
5

### Dual

10"



12"



1

### Box Dimensions

	Dimensions (L x W x H)	Dimensions (L x W x H)
W-SB10V	18.25in x 15.63in x 15.63in	463mm x 397mm x 397mm
W-SB12V	18.25in x 30.43in x 15.63in	463mm x 773mm x 397mm
W-SB10V	17.60in x 17.60in x 17.60in	447mm x 447mm x 447mm
W-SB12V	17.60in x 34.37in x 17.60in	447mm x 873mm x 447mm

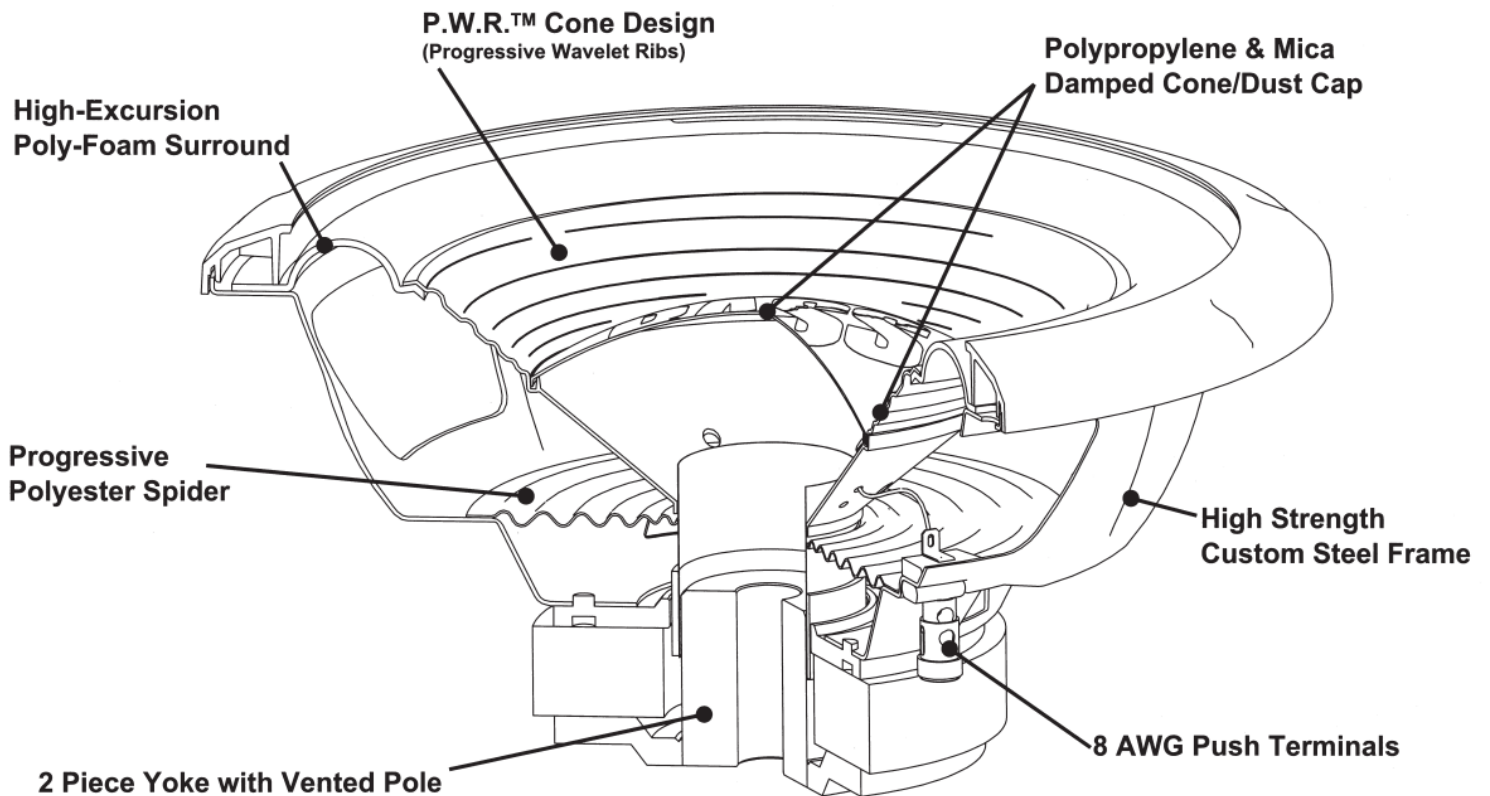
# “BASS” SUBWOOFER HAUT-PARLEUR D'EXTRÊMES GRAVES “BASS” APPLICATION GUIDE GUIDE D' APPLICATION

## W12S4

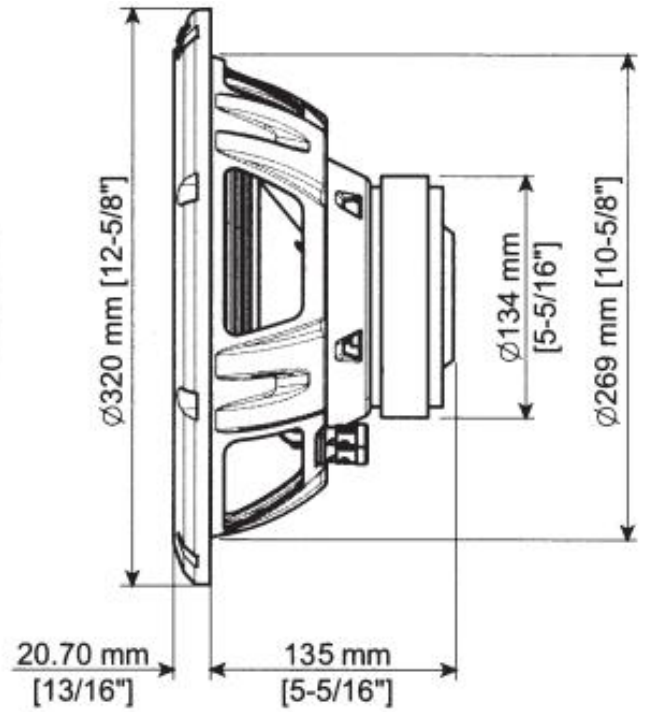
12 Inch Single Voice Coil Subwoofer (4Ω)  
Haut-parleur d'extrêmes graves à single bobine 12 po (4Ω)

## W10S4

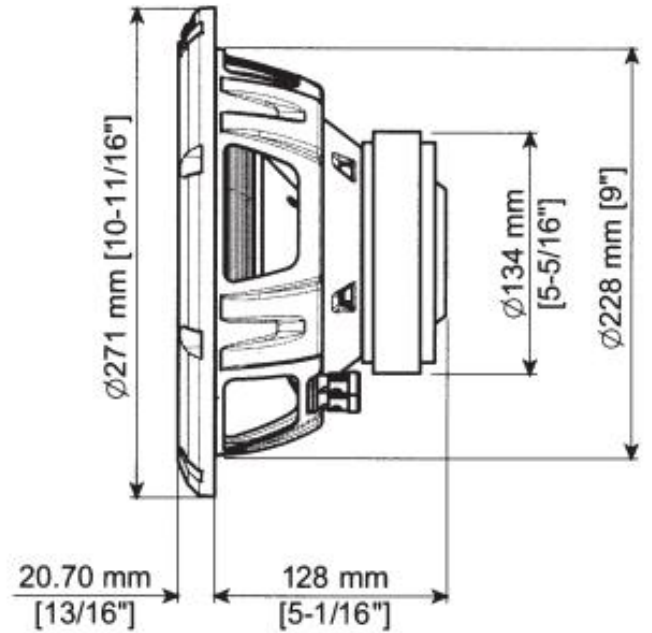
10 Inch Single Voice Coil Subwoofer (4Ω)  
Haut-parleur d'extrêmes graves à single bobine 10 po (4Ω)



W12S4



W10S4



			W10S4	W12S4
<b>General Specifications</b>			<b>4Ω</b>	<b>4Ω</b>
Size	Taille		10"	12"
Frequency Response	Response en Fréquence		24Hz-200Hz	22Hz-200Hz
Power Range	Plage de Puissance		50W-250W RMS (efficace)	
Power Handling	Puissance Admissible		250W RMS (efficace) 750W PEAK (de crête)	
Magnet Weight	Poids de l'aimant		52 oz	
Voice Coil Diameter	Diamètre de la bobine		50.8mm (2")	
<b>Thiele-Small Parameters</b>				
Sensitivity (1W/1M)	Sensibilité (1W/1M)	SPL	86.6 dB	87.9 dB
DC Resistance	Résistance CC	Re	3.6 Ohm	3.7 Ohm
Inductance	Inductance	Le	2.07 mH	2.38 mH
Free Aire Resonance	Résistance à l'air libre	Fs	32 Hz	30 Hz
Equivalent Stiffness	Raiduer équivalente	Vas	34.7L (1.23 ft <sup>3</sup> )	64.3L (2.27 ft <sup>3</sup> )
Maechanical Q	Q Mécanique	Qms	6.71	7.66
Electrical Q	Q Électrique	Qes	0.47	0.53
Total Q	Q Total	Qts	0.44	0.49
Cone Area	Surface du diaphragme	Sd	330 cm <sup>2</sup>	452 cm <sup>2</sup>
Linear Excursion	Déplacement Linéate	Xmax (1-way)	10mm	
Mechanical Tracel	Déplacement Mécanique	Xmech (P-P)	52 mm	

Note: Specifications subject to change without notice

		W10S4	W12S4
Sealed Box Range	Gross Internal Volume	0.65-1.0 ft <sup>3</sup>	0.75-1.5 ft <sup>3</sup>
	External Box Dimensions	13" x 13" x 12"	14.5" x 14.5" x 12.5"
Recommended Sealed Box	Gross Internal Volume	0.83 ft <sup>3</sup>	1.09 ft <sup>3</sup>
	Net Internal Volume	0.75 ft <sup>3</sup>	1.0 ft <sup>3</sup>
	F <sub>3</sub> , Q <sub>tc</sub>	54 Hz, 0.7	46 Hz, 0.9
Vented Box Range	Gross Internal Volume	1.0-1.75 ft <sup>3</sup>	1.5-2.5 ft <sup>3</sup>
	Tuning	35-40 Hz	35-40 Hz
Recommended Vented Box	External Box Dimensions	12" x 14" x 21"	14" x 16" x 19.5"
	Gross Internal Volume	1.51 ft <sup>3</sup>	1.91 ft <sup>3</sup>
	Vent Area	10.5 in <sup>2</sup> (10.5" x 1")	12.5 in <sup>2</sup> (12.5" x 1")
	Vent Length	17"	10"
	Vent Displacement	0.18 ft <sup>3</sup>	0.07 ft <sup>3</sup>
	Net Internal Volume (V <sub>b</sub> )	1.25 ft <sup>3</sup>	1.75 ft <sup>3</sup>
	F <sub>3</sub> , ripple, F <sub>b</sub>	34Hz, 4dB 40Hz	32Hz, 4dB, 37Hz

Note:

- 1) Recommended enclosure net internal volume is based upon 3/4" (19mm) MDF enclosure construction.
- 2) Consult the table below for alternative enclosure net internal volume calculation.

Front Mount Displacement* (Magnet In)	0.08 ft <sup>3</sup>	0.09 ft <sup>3</sup>
Reverse Mount Added Volume (Magnet Out)	0.03 ft <sup>3</sup>	0.05 ft <sup>3</sup>

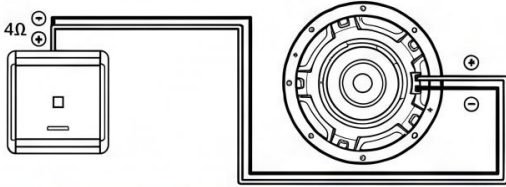
\*Based upon 3/4" (19mm) baffle thickness, with opening cut approximately to gasket inner diameter



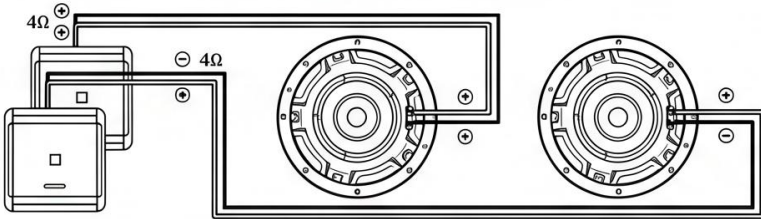
SINGLE 4Ω "BASS" APPLICATION DIAGRAMS  
SCHÉMAS D'APPLICATION - "BASS" SINGLE BOBINE, 4Ω

W1084 / W1284

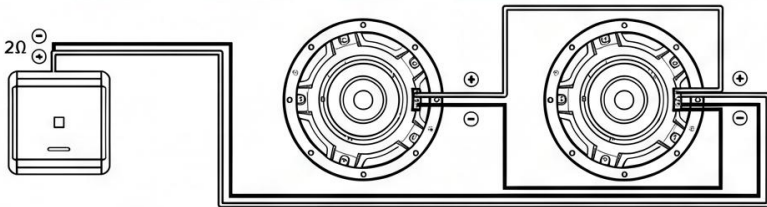
**Example 1** One Amplifier and One Subwoofer  
**Exemple 1** 1 amplificateur et 1 h.-p. d'extrêmes graves



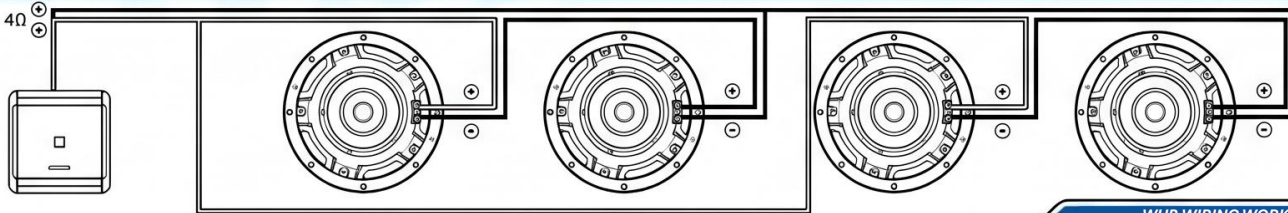
**Example 2** Two Amplifiers and Two Subwoofers  
**Exemple 2** 2 amplificateurs et 2 h.-p. d'extrêmes graves



**Example 3** One Amplifier and Two Subwoofers  
**Exemple 3** 1 amplificateur et 2 h.-p. d'extrêmes graves



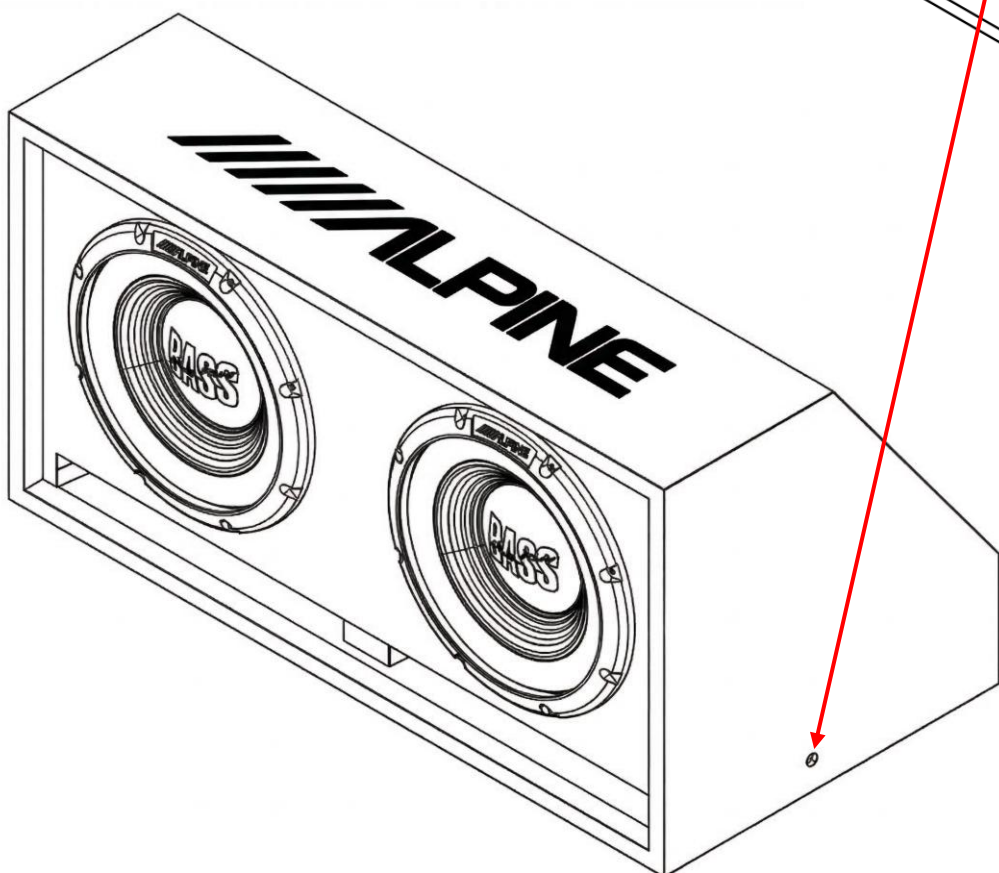
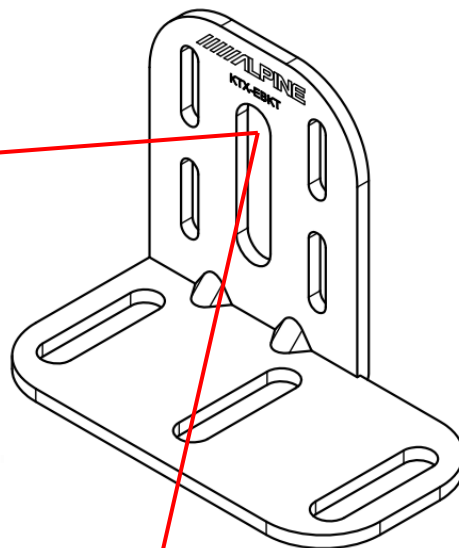
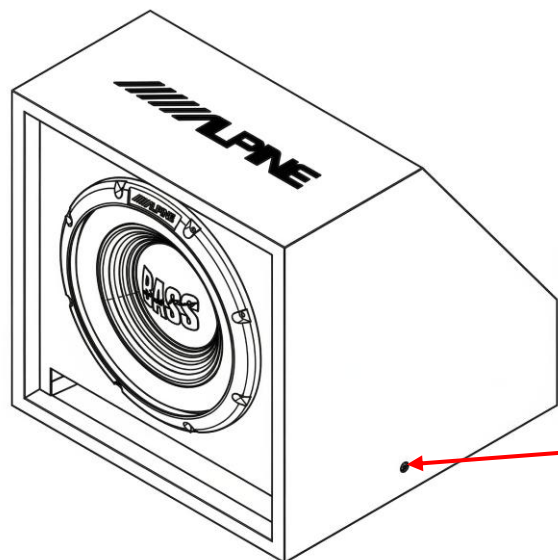
**Example 4** One Amplifier and Four Subwoofers  
**Exemple 4** 1 amplificateur et 4 h.-p. d'extrêmes graves



WUB WIRING WORKSHEET  
CÂBLAGE POUR "BASS"

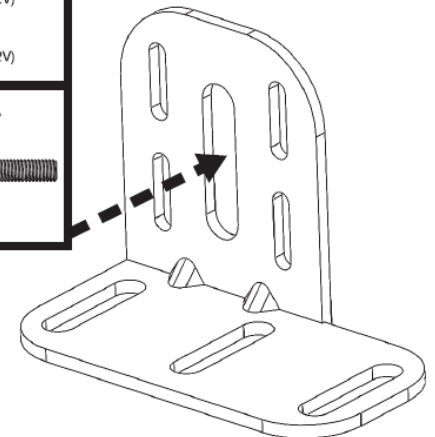
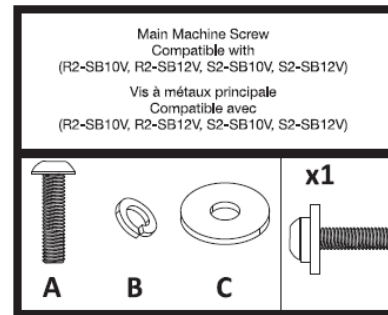
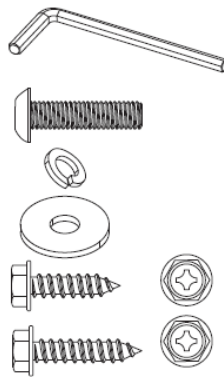
Wiring diagrams provided to extract all the wubs from your new Wedg-e setup.

**Compatible with KTX-EBKT  
(Sold Separately)**



### Hardware BOM / Nomenclature du matériel de fixation

- (1) 4 mm Hex Drive Wrench  
(1) clé hexagonale de 4 mm
- A** (2) M5 × 20 Hex Drive Machine Screw  
(2) vis à tête hexagonale M5 × 20
- B** (2) M5 Spring Washer  
(2) rondelles élastiques M5
- C** (20) M6 Black Washer  
(20) rondelles noires M6
- D** (8) M6 × 16 Philips Drive Tapping Screw  
(8) vis autotaraudeuses à empreinte Philips M6 × 16
- E** (12) M6 × 20 Philips Drive Tapping Screw  
(12) vis autotaraudeuses à empreinte Philips M6 × 20



### Note: To ensure safe use, Always follow these precautions.

The installation of this product requires specialized skills and experience. We recommend that you have the product installed by an Alpine authorized dealer. Before you use this product, be sure to carefully read this installation manual so that you can use the product correctly. Failing to do so could lead to damaged equipment or an accident. Alpine Electronics bears no responsibility for problems that arise as a result of failure to follow the instructions in the manual.

- Make sure enclosure is secured to the vehicle. Failing to do so can lead to electric shock, injury or damage to equipment.
- When making a hole in the vehicle body, be careful to avoid damaging pipes, the fuel tank, electrical wiring, and the like. This kind of damage could lead to an accident or fire.
- Do not install the product where it may be exposed to water or in a place with high levels of humidity or dust. Doing so could lead to fire or damaged equipment.
- Start all screw threads by hand and avoid overturning screws, failure to do so may damage your equipment.

### Remarque : Pour garantir une utilisation en toute sécurité, suivez toujours ces précautions.

L'installation de ce produit requiert des compétences et une expérience spécialisées. Nous vous recommandons de faire installer le produit par un distributeur agréé Alpine. Avant d'utiliser ce produit, assurez-vous de lire attentivement le présent guide d'installation afin d'utiliser correctement le produit. Le non-respect de cette consigne pourrait causer des dommages matériels ou un accident. Alpine Electronics n'est en aucun cas responsable des problèmes liés au non-respect des instructions indiquées dans le présent document.

- Assurez-vous que l'enceinte est fixée au véhicule. Le non-respect de cette consigne pourrait causer une électrocution, des blessures ou des dommages matériels.
- Lorsque vous faites un trou dans la carrosserie du véhicule, veillez à ne pas endommager les tuyaux, le réservoir de carburant, le câblage électrique, etc. Ce type de dommages pourrait causer un accident ou un incendie.
- N'installez pas le produit dans un endroit où il risque d'être exposé à l'eau ou dans un lieu où le taux d'humidité ou de poussière est élevé. Tout manquement à cette consigne pourrait causer un incendie ou des dommages matériels.
- Commencez à visser toutes les vis à la main et évitez de trop serrer les vis, au risque d'endommager vos équipements.

**ALPINE ELECTRONICS, INC.**  
Tokyo office:  
1-1-8 Nishi-Gotanda, Shinagawa-ku,  
Tokyo 141-8501, Japan  
Phone: 81(3) 3494-1101

**ALPINE ELECTRONICS MARKETING, INC.**  
1-7, Yukigaya-Otsukamachi, Ota-ku  
Tokyo 145-0067, Japan  
Tel.: 03-5499-4531

**ALPINE ELECTRONICS OF AMERICA, INC.**  
19145 Gramercy Place  
Torrance, California 90501 U.S.A.  
Tel.: 1(310)326-8000

**ALPINE ELECTRONICS GmbH**  
Wilhelm-Wagenfeld-Strasse 1-3,  
80807 Munich,  
Germany  
Phone: 49(0)89-324264-0

**ALPINE ELECTRONICS FRANCE S.A.R.L.**  
184 allée des Erables  
CS 52016 – Villepinte  
95 945 Roissy CDG cedex  
FRANCE  
Phone: +33 1 48 63 89 89

**ALPINE ITALIA S.p.A.**  
Viale C. Colombo 8,  
20090 Trezzano Sul  
Naviglio (MI), Italy  
Tel.: 02-484781

**ALPINE ELECTRONICS OF U.K., LTD.**  
Alpine House Earplace Business Park,  
Fletchamstead Highway,  
Coventry CV4, 9TW, U.K.  
Phone: 44-2476-719500

**ALPINE ELECTRONICS OF AUSTRALIA PTY. LTD.**  
161-165 Princes Highway, Hallam  
Victoria 3803, Australia  
Tel.: 03-8787-1200

**ALPINE ELECTRONICS DE ESPAÑA, S.A.**  
Portal de Gamarra 36, Pabellón, 32  
01013 Vitoria (Alava).  
APDO 133, Spain  
Tel.: 945-283588

**ALPINE ELECTRONICS (CHINA) CO., LTD.**  
R2-4F, China Merchants Tower  
No.116 Jianguo Street, Chaoyang District,  
Beijing 100022, China  
Phone: 86(10)6566-0308

RoHS

CE



MADE IN CHINA