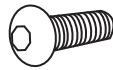


PARTS LIST:

- 1- Platform A Center Tray
- 1- Driver's Side Mount (DS)
- 1- Passenger Side Mount (PS)
- 1- Driver's Side Wheel Well Loop

FASTENER LIST:

4 - 3/8 16 x 1"



4 - 3/8 16 Nylok Nuts



8 - 3/8 Washers



5 - 1/4-20 x 3/4"



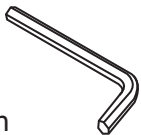
5 - 1/4-20 Nylok Nuts



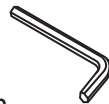
10 - #1/4" Washers



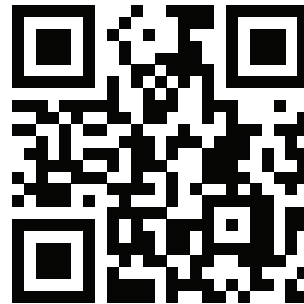
1 - 7/32"
Allen Wrench



1 - 5/32"
Allen Wrench



SCAN FOR INSTRUCTIONAL VIDEO:



Scan the QR code with your smartphone and it will take you to the link below:

<https://qrgo.page.link/yYQYH>

TOOLS NEEDED:

Torx Wrench for
Roof Side Mounting Bolts.
(Varies by Model)

INSTALLATION TIME & SKILL LEVEL:



15-20 minutes, Skill Level 01

WARNING!

Platform A is engineered to support up to 150lb of evenly distributed cargo. Operator responsible for **securing all fasteners and cargo** prior to operating vehicle. Do not stack cargo to height that obstructs rear view mirror.

Do not carry flammable liquids or solids in Platform A.

Do not use Platform A as a bed of any sort.

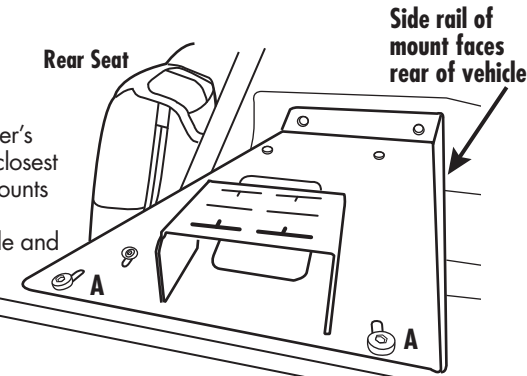
XG Cargo warrants all products for workmanship only and cannot assume responsibility for products abuse or misuse by the end user.

STEP 01:

Remove all components from box and be sure all components including fasteners are intact.

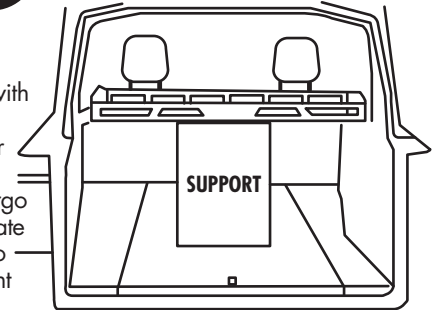
STEP 02:

Remove back roof side mounting bolts 'A' on driver's side and passenger side closest to rear seat. Install side mounts loosely. Side mounts are marked DS for driver's side and PS for passenger side. **Do not tighten these bolts until last. Leave loose!**



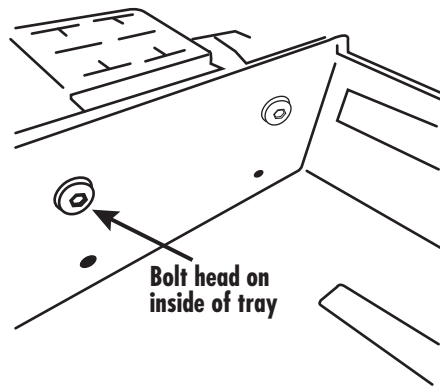
STEP 03:

If installing with one person, install box or support in center of cargo area to elevate center tray to correct height



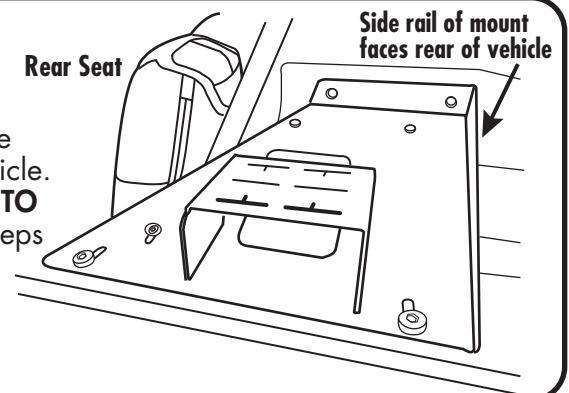
STEP 04:

Install tray to side mounts using 4 3/8 16 bolts, washers and lock nuts on each side. There are two heights to choose. As you tighten bolts, be sure the mounts are aligned with tray. Tighten securely.



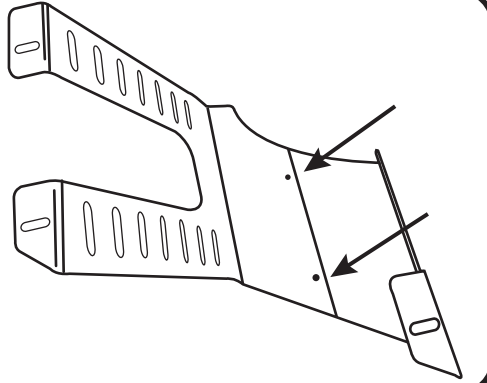
STEP 05:

Tighten side mounting plate bolts last. Be sure tray is centered in vehicle. **DO NOT USE A LEVEL TO CHECK TRAY LEVEL.** Jeeps are preloaded higher on driver's side. Tray should align with top of back seats.



STEP 06:

Assemble Wheel Well Storage Loop using two 1/4-20 x 3/4" long black bolts, washers and nuts.



STEP 07:

Install Wheel Well Storage Loop on **driver's side tray support** using 3 1/4-20 x 3/4 black bolts, washers and nuts. Tighten securely once installed.

