



## Installation Instructions

### Rear Bumper

Product Number: Y1851  
Application: Jeep JL 2018

## **! IMPORTANT SAFETY GUIDE**

- Your safety and the safety of others is very important.
- In order to help you make informed decisions about safety, we have provided the following warnings, safety precautions, installation instructions, and other important information to alert you to potential hazards that could hurt you or others.
- Please do a job safety analysis before each task to identify potential hazards for your situation and remove/protect against them.
- Use own good judgment and take your time.
- Check packaged materials immediately upon arrival to ensure that all listed parts are included and undamaged.

**Read and understand all warnings, safety precautions, and instructions before installing this product.**

**SENSORS FIELD OF VIEW WILL BE ALTERED WITH USE OF THE REPLACEMENT BUMPER.**

## **WARNINGS**

- **FAILURE TO OBSERVE THE FOLLOWING WARNINGS AND INSTRUCTIONS PROVIDED IN THIS MANUAL COULD LEAD TO SEVERE INJURY AND/OR DEATH.**
- **FOR PROFESSIONAL INSTALLATION ONLY. CARELESS INSTALLATION AND/OR OPERATION CAN RESULT IN SERIOUS INJURY, DEATH, AND/OR EQUIPMENT DAMAGE. ALL LIABILITY FOR INSTALLATION AND USE RESTS WITH THE USER OR CONSUMER.**
- **FAB FOURS, INC. ONLY APPROVES INSTALLING THIS PRODUCT ACCORDING TO THESE WRITTEN INSTRUCTIONS WITH THE HARDWARE PROVIDED. FAILURE TO INSTALL ACCORDING TO THESE INSTRUCTIONS WILL INVALIDATE THE WARRANTY. THIS INCLUDES, BUT IS NOT LIMITED TO, USING ALTERNATIVE INSTALLATION METHODS, HARDWARE, OR MATERIALS.**
- **THIS PRODUCT IS FOR OFFROAD USE ONLY.**





## Installation Instructions

### Rear Bumper

Product Number: Y1851

Application: Jeep JL 2018

### SAFETY PRECAUTIONS

- Always remove jewelry and wear eye protection.
- Always use extreme caution when jacking up a vehicle for work. Set emergency brake and use tire blocks. Locate and use the vehicle manufacturers designated lifting points. Use jack stands.
- Always use appropriate and adequate care in lifting components into place.
- Always ensure components will remain secure during installation and operation.
- Always wear safety glasses when installing this kit. A drilling operation will cause flying metal chips. Flying chips can cause serious eye injury.
- Always use extreme caution when drilling a vehicle. Always disconnect power before welding. Thoroughly inspect the area to be drilled (on both sides of material when possible) prior to drilling, and relocate any objects that may be damaged.
- Always use extreme caution when welding a vehicle. Thoroughly inspect the area to be welded (on both sides of material when possible) prior to welding, and relocate any objects that may be a fire hazard. When welding in a cab, make sure the interior surfaces are covered (*e.g.*, welding blanket) and a fire extinguisher is at hand.
- Always use extreme caution when cutting and trimming during fitting.
- Always tighten all nuts and bolts securely per installation instructions.
- Always route electrical cables carefully. Avoid moving parts, components that become hot, and rough or sharp edges.
- Always insulate and protect all exposed wiring and electrical terminals.
- Perform regular inspections and maintenance on mounts and hardware.
- Tire may rub at max turn or articulation.





## Installation Instructions

### Rear Bumper

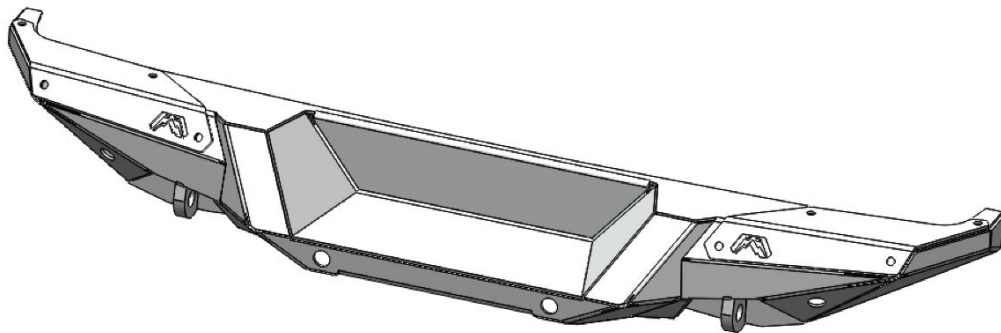
Product Number: Y1851  
Application: Jeep JL 2018

#### I. Overview

Congratulations on your new purchase of the industries' best and most stylish Rear Bumper available for the 2018 Jeep JL!

Your Rear Bumper was designed in 3-D from digitized data, CNC laser cut, fabricated, and powder coated... all in the U.S.A.

Enjoy the fit and finish of a quality 2018 Jeep JL Rear Bumper from Fab Fours Inc.





# Installation Instructions

## Rear Bumper

Product Number: Y1851  
Application: Jeep JL 2018

### II. Removal of OEM Bumper

**Note: Save all OEM parts until installation is complete!**

- A. Remove the spare tire from the vehicle to allow easy access to the bumper.
- B. Remove the three screws (2) and remove the closeout panels (1) shown in Figure 1.

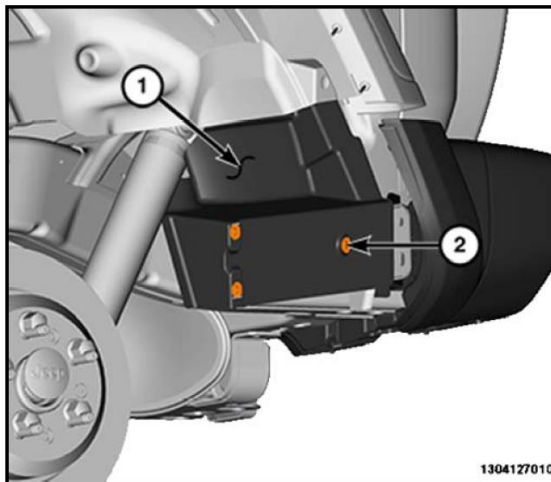


Figure 1

- C. Next remove the two outside hitch bolts designated (1) in figure 2.

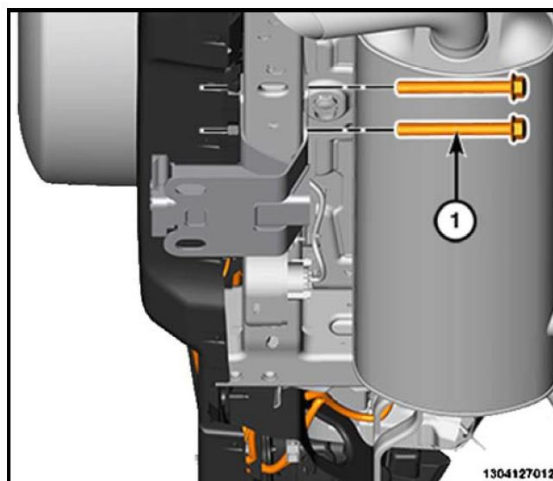


Figure 2





# Installation Instructions

## Rear Bumper

Product Number: Y1851  
Application: Jeep JL 2018

- D. Disconnect the wire harness connector (1) on the driver side and removed the support bracket bolts (2) on both the passenger and driver side. Removed the support bracket from the vehicle.

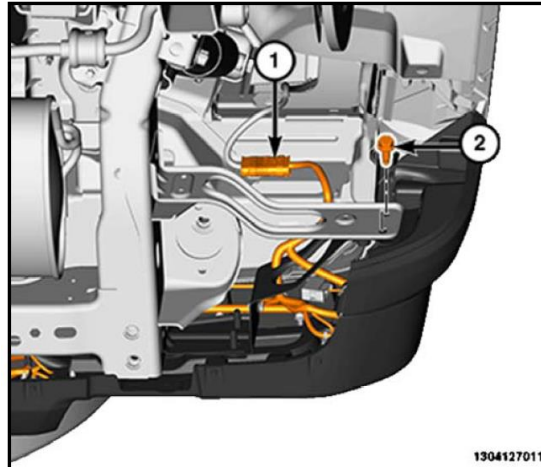


Figure 3

- E. Locate and remove the 4x mounting bolts and tow hook from the driver and the 2x bolts from the passenger side. (Ref. Figure 1-2)



Figure 4 Passenger Side

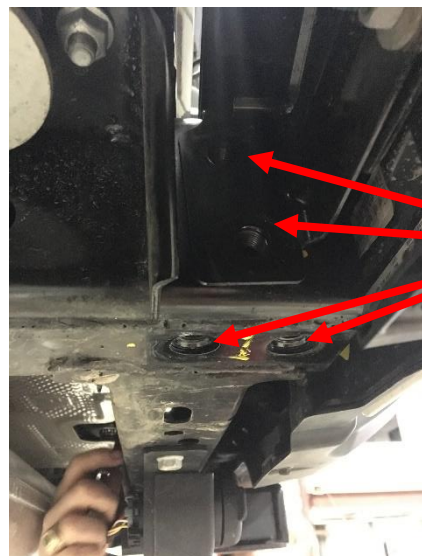


Figure 5 Driver Side





## Installation Instructions

### Rear Bumper

Product Number: Y1851  
Application: Jeep JL 2018

- F. Once the OEM bumper is off the vehicle, remove the backup sensor harness from the bumper and put it aside for later use.
- G. Carefully remove the four sensor housings from the bumper to install them on the Fab Fours rear. To remove use a pair of pliers with a scraper to carefully peel the adhesive.



Figure 6

**\*\*NOTE: Make sure to take your time in order to not damage the sensor housing during removal\*\***



## Installation Instructions

### Rear Bumper

Product Number: Y1851  
Application: Jeep JL 2018

### III. Pre-Installation

**NOTE: PLEASE READ THE ENTIRE MANUAL BEFORE ATTEMPTING INSTALLATION!** Ignoring these steps will increase your probability of scratching the vehicle during product installation.

- A. Remove the Fab Fours Rear Bumper from its packaging and lay it face down to install the sensor harness.



Figure 6



## Installation Instructions

### Rear Bumper

Product Number: Y1851  
Application: Jeep JL 2018

**B.** Using the epoxy from the hardware kit, attach the OEM sensor housings the Fab Fours bumper. Once the housings have dried, attach the sensor harness to the bumper starting from the driver side. Feed the harness through the holes as shown.



Figure 7



Figure 8

**\*\*NOTE: Make sure the sensor plug is on the driver side for installation. Zip tie locations for harness can be found on the mounting brackets and wing supports\*\***

**C.** Take the two OEM hitch bolts and attach them to the hitch using the M12 nuts washers and lock washers as shown in figure 9 below.

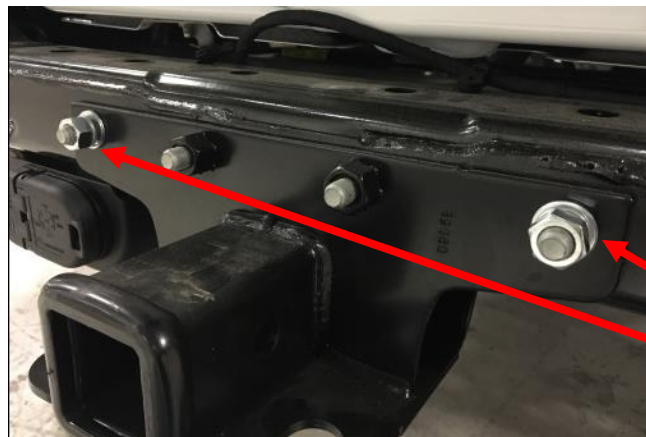


Figure 9







## Installation Instructions

### Rear Bumper

Product Number: Y1851  
Application: Jeep JL 2018

D. Take the cover plates and attach them to the bumper using the 3/8" bolts nuts and washers.

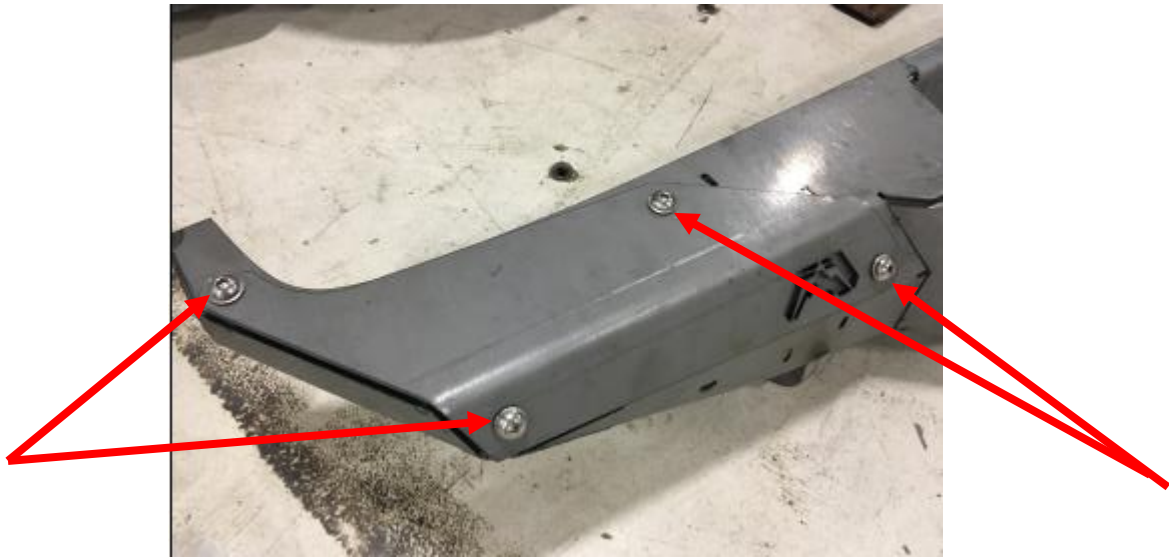


Figure 10



## Installation Instructions

### Rear Bumper

Product Number: Y1851  
Application: Jeep JL 2018

#### IV. Rear Bumper Installation

- A. Place the nut plate over the holes in the frame on the passenger side of the vehicle.



Figure 11

- B. Place the bumper on the frame and use the OEM hardware with the 1/2" bolts and washers to fasten it in place.

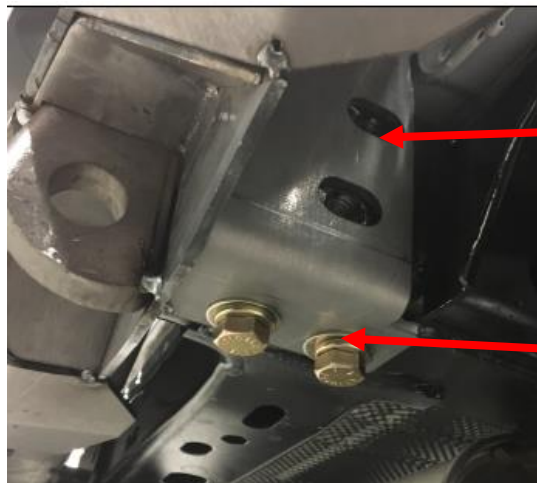


Figure 12





## Installation Instructions

### Rear Bumper

Product Number: Y1851  
Application: Jeep JL 2018

- C. Tighten down all 6 OEM bolts (4 on driver side and 2 on the passenger side) and the 2 1/2" (on the passenger side) to ensure the bumper is secure.



Figure 13



## Installation Instructions

### Rear Bumper

Product Number: Y1851  
Application: Jeep JL 2018

#### V. Maintenance/Care

- Periodically check and tighten all nuts.
- Stripped, fractured, or bent bolts or nuts need to be replaced.

#### VI. Contact Information

Fab Fours Inc.  
2213 Industrial Park Road  
Lancaster, SC 29720

Phone (866)-385-1905  
Fax (970)-385-1914  
Email [Support@fabfours.com](mailto:Support@fabfours.com)



More than expected... Better than expected.

