

advanced FLOW engineering Magnum FORCE Stage-2 Cold Air Intake System
Instruction Manual P/N: 54-53029D/R/G / 54-53029DH/RH/GH

Make: **Jeep** Model: **Wrangler (JL)** Year: **2018-2019** Engine: **I4-2.0L Turbo**



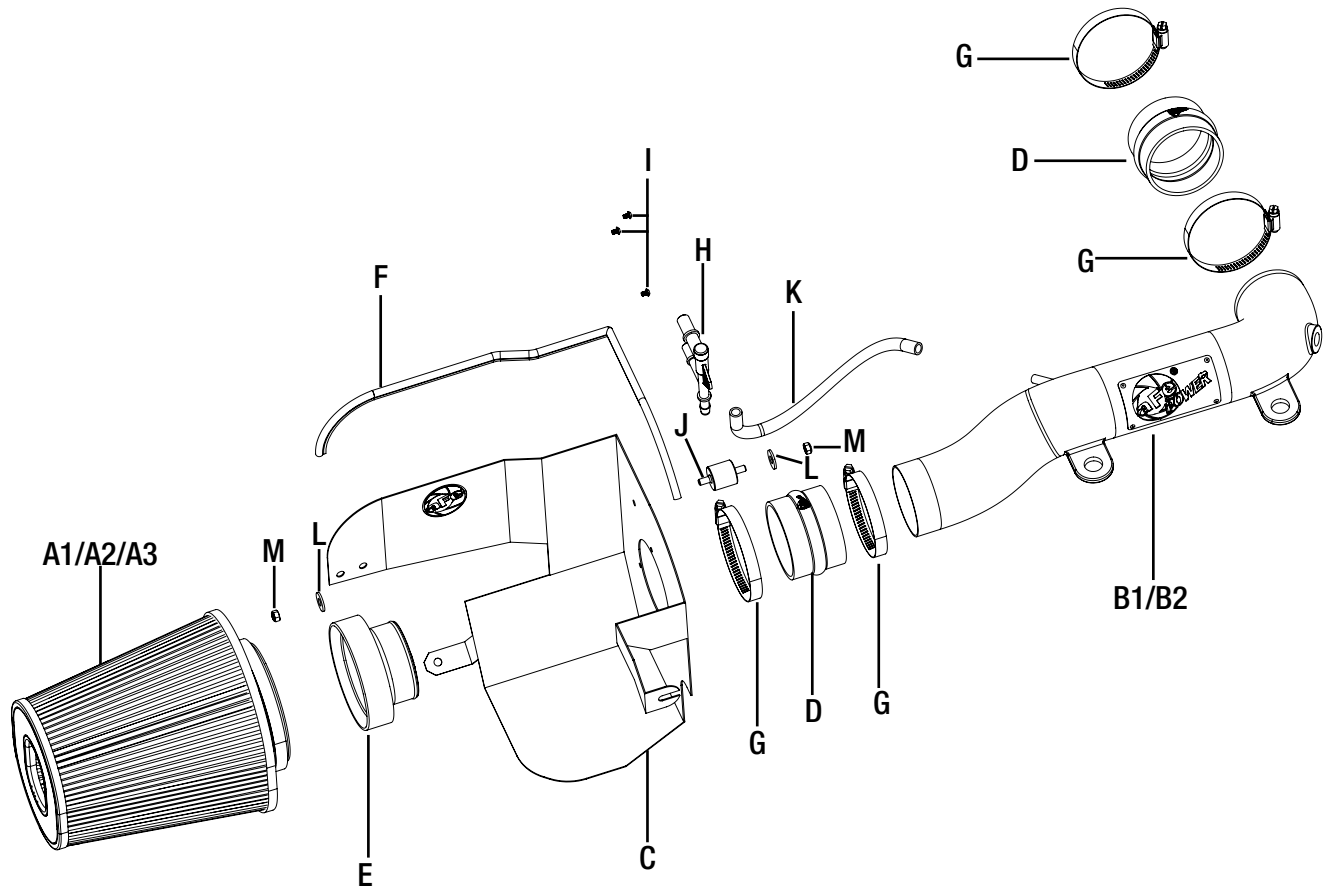
- Please read the entire instruction manual before proceeding.
- Ensure all components listed are present.
- If you are missing any of the components, call customer support at 951-493-7100.
- Ensure you have all necessary tools before proceeding.
- Do not attempt to work on your vehicle when the engine is hot.
- Disconnect the negative battery terminal before proceeding.
- Retain factory parts for future use.

Label	Qty.	Description	Part Number
A1	1	Air Filter (Pro 5R)	24-91127
A2	1	Air Filter (Pro DRY S)	21-91127
A3	1	Air Filter (Pro-GUARD 7)	72-91127
B1	1	Tube	05-5453029B1
B2	1	Tube	05-5453029H1
C	1	Housing	05-13002B2
D	2	Coupling, Silicone Hump	05-01245
E	1	Adaptor	05-01037
F	1	Seal Trim: 7/16" Bulb (22" inches)	05-00072
G	4	Clamp, #048	03-50007
H	1	Fitting, CCV Vacuum	05-01499
I	3	Screw, Btn Hd Socket: M6 x 1 x 10	03-50113
J	1	Isolation Mount: M6	03-50022
K	1	Hose, Fuel: 3/8"ID (7" inches)	05-00110
L	2	Washer, Flat: M6	03-50070
M	2	Nut, Hex Nylon Lock: M6	03-50185

Installation will require the following tools:
8mm/10mm nut drivers and 4mm Allen wrench.

Emissions Disclaimer:

This product is not currently CARB exempt and is not available for purchase in California or for use on any vehicle registered with the California Department of Motor Vehicles.



**Refer to Figure A for Steps 1-3**

Step 1: Disconnect the intake tube sensor and the two (2) quick connect vent hoses.

Step 2: Loosen the turbocharger side hose clamp on the air intake tube.

Step 3: Remove the two (2) bolts on the intake tube and one (1) bolt on the air filter housing.



Figure B

Refer to Figure B for Step 4

Step 4: Remove the factory tube and housing from the vehicle.

**Figure C****Refer to Figure C for Steps 5-7**

Step 5: Install trim seal onto aFe POWER housing.

Step 6: Install filter adapter onto the housing using the three (3) hex screws.

Step 7: Install the rubber isolation mount to the housing using the nylock nut and washer.



Refer to Figure D for Steps 8-9

Step 8: Remove the three (3) bolts in the engine compartment.

Step 9: Loosen radiator mount bolt.



Refer to Figure E for Steps 10-11

Step 10: Remove grommets from factory intake tube and install into the aFe POWER intake tube. Note the direction of the grommet spacer.

Step 11: Remove sensor from the factory intake tube and install it into the aFe POWER intake tube.



Refer to Figure F for Steps 12-14

Step 12: Install the aFe POWER housing by lining up the mounting holes. The upper two mounting holes are sandwiched in between the top two brackets near the battery.

Step 13: Install the slotted bracket in between the radiator bolt washer and rubber mount.

Step 14: Reinstall the three (3) bolts back into the engine compartment and tighten radiator mount bolt.

**Figure G****Refer to Figure G for Steps 15-17**

Step 15: Install couplers and hose clamps onto the Turbocharger inlet and filter housing adapter. Do not tighten hose clamps.

Step 16: Install the aFe POWER intake tube into the couplers and attach with the mounting bolts.

Step 17: Tighten all clamps.



Figure H

Refer to Figure H for Steps 18-19

Step 18: Install the CCV fitting onto the rubber isolation mount and connect the two (2) quick connect fittings.

Step 19: Install the 3/8" section of hose from the bottom of the CCV fitting to the vent on the intake tube.



Figure I

Refer to Figure I for Step 20

Step 20: Reattach the electrical plug onto the intake sensor.



Figure J

Refer to Figure J for Step 21

Step 21: Reinstall the remaining bolt back into its original location.



Figure K

Refer to Figure K for Step 22

Step 22: Install the air filter into the aFe POWER intake system and tighten clamp. Check all the components are tight and secure. Your installation is now complete. Thank you for choosing aFe POWER!

NOTE: Check all bolts, clamps, and connectors after 100-200 miles.

PAGE LEFT BLANK INTENTIONALLY



PAGE LEFT BLANK INTENTIONALLY

PAGE LEFT BLANK INTENTIONALLY



Pro DRY S Air Filter



P/N: 21-91127

Pro 5R Air Filter



P/N: 24-91127

Pro-GUARD 7 Air Filter



P/N: 72-91127

Pre-Filter



P/N: 28-10303

Pro DRY S Restore Kit



P/N: 90-59999

Blue Squeeze Restore Kit



P/N: 90-50501

Gold Squeeze Restore Kit



P/N: 90-50500

Axle-Back Exhaust System



P/N: 49-48067-B (Blk. Tips)
49-48067-P (Pol. Tips)

Axle-Back Exhaust System



P/N: 49-48070-P (Pol. Tips)
49-48070-B (Blk. Tips)

Rear Differential Cover



P/N: 46-71000B (Black)
46-71000A (RAW)

RaceRunner 2" Shocks



P/N: 37-D7001R (Rears)
37-D7001F (Fronts)

Front Differential Cover



P/N: 46-71010B (Black)
46-71010R (Red)

To purchase any of the items above, view airflow charts, dyno graphs, photos, and video; please go to aFepower.com.

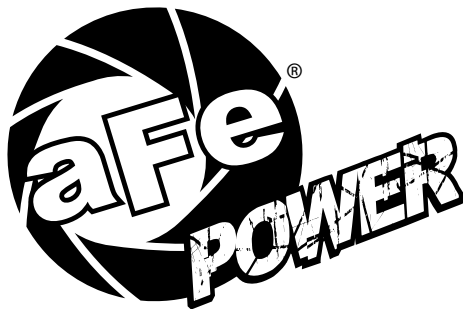
Warranty

General Terms:

- aFe warrants their products to be free from manufacturer's defects due to workmanship and material.
- This warranty applies only to the original purchaser of the product and is nontransferable.
- Proof of purchase of the aFe product is required for all warranty claims.
- Warranty is valid provided aFe instructions for installation and/or cleaning were properly followed.
- Proper maintenance with regular inspections of product is required to insure warranty coverage.
- Damage due to improper installation, abuse, unauthorized repair or alteration is not warranted.
- Incidental or consequential damages or cost, including installation and removal of part, incurred due to failure of aFe product is not covered under this warranty.
- All warranty is limited to the repair and/or replacement of the aFe part. To request Return Goods Authorization ("RGA"), email RGA@afepower.com or call (951)493-7100. Upon receipt of the RGA, you must return the product to the address provided in the RGA, freight prepaid and accompanied with a dated proof of purchase and the RGA. Upon receipt of the defective product and upon verification of proof of purchase, aFe will either repair or replace the defective product within a reasonable time, not to exceed thirty days.

Product Category	P/N Prefix	Warranty duration
Direct OE Replacement Filters	10, 11, 30, 31, 71, 73	Life of the vehicle
Racing Filters	18	1 year
Universal	21, 23, 24, 72	2 years
Air Intake Systems	50, 51, 53, 54, 55, 58, 75	2 years
Exhaust Systems	49	2 years
Intercoolers & Intercooler Tubes	46-2	2 years
Intake Manifolds	46-1	2 years
Differential Cover	46-7	Life of the vehicle
Exhaust Manifolds	46	2 years
Throttle Body Spacers	46-3	2 years
Fluid Filters	44	90 days
Pre-Filters	28	2 years
Heavy Duty OE Replacement	70	2 years
PowerSports OE Replacement	81, 87	2 years
PowerSports Intake Systems	85	2 years

No other warranty expressed or implied applies nor is any person or advanced FLOW engineering authorized to assume any other warranty. Some States do not allow the exclusion or limitation of incidental or consequential damages or do not allow limitations on how long an implied warranty lasts, so the above limitations or exclusions may not apply to you. This warranty gives you specific legal rights, and you may also have other rights which vary from State to State.



advanced FLOW engineering, inc.
252 Granite Street Corona, CA 92879
TEL: 951.493.7100 • TECH: 951.493.7134
E-Mail: Tech@aFepower.com