



# Installation Instructions Seat Covers, Front Kit

Vehicle Application:  
Jeep Wrangler JL 2-Door 2018-current  
Part Number 29293

## Installation Tips

Read and follow, precisely, all installation instructions provided when installing this product. Failure to do so may result in a poor fit, and could place occupants of the vehicle in a potentially dangerous situation.

### WARNING

To reduce the risk of accidental injury: Follow all vehicle Manufacturer's and Bestop® safety messages, application and installation instructions.

- Do not remove seats from the vehicle to install this product.
- Fit and maintain sides of seat cover as tight to seat as possible, always matching front to side seam of seat with similar panels and seams of seat cover.
- Remove headrest carefully to avoid damaging manufacturer's wiring. Assure all plugs are connected after installation of seat cover.
- Do not use and replace if seat cover becomes damaged or wear no longer allows a tight fit to seat sides.



## Care & Maintenance

Your seat covers are machine washable. Wash separately in COLD water with ¼ of normal amount of soap. Hang dry.

**WEAR SEAT BELTS AT ALL TIMES**

Tools	Installation Time	Support
<div data-bbox="464 1154 577 1219"></div> <div data-bbox="474 1227 564 1281"><p>Safety Glasses</p></div> <div data-bbox="228 1360 289 1414"></div> <div data-bbox="310 1370 464 1409"><p><b>CAUTION</b></p></div> <div data-bbox="483 1364 829 1414"><p>Safety glasses should be worn at all times when installing this product.</p></div>	<div data-bbox="1041 1089 1173 1219"></div> <div data-bbox="1197 1135 1310 1166"><p>2 hours</p></div> <div data-bbox="1117 1269 1289 1305"><p><b>Skill Level</b></p></div> <div data-bbox="1031 1344 1373 1414"></div> <div data-bbox="1031 1429 1362 1463"><p><b>3 - Moderately Difficult</b></p></div>	<div data-bbox="1535 1084 1875 1185"><p>We're here to help! Go to: <a href="https://www.bestop.com">https://www.bestop.com</a> and click on <b>Need Help?</b></p></div> <div data-bbox="1608 1243 1793 1417"></div> <div data-bbox="1491 1432 1925 1463"><p><a href="https://www.bestop.com/video-library">https://www.bestop.com/video-library</a></p></div>

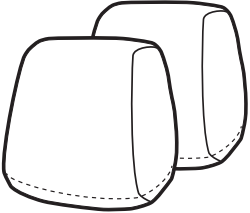
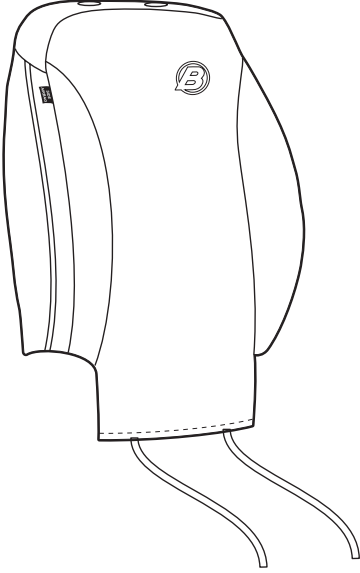
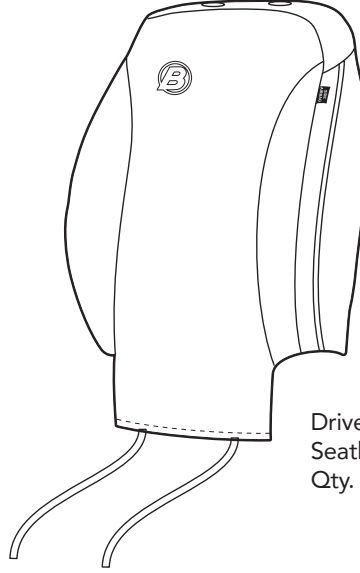


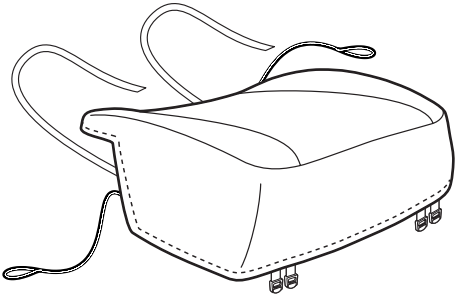
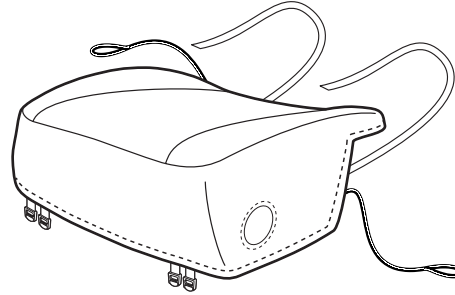
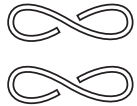
# Installation Instructions Seat Covers, Front Kit

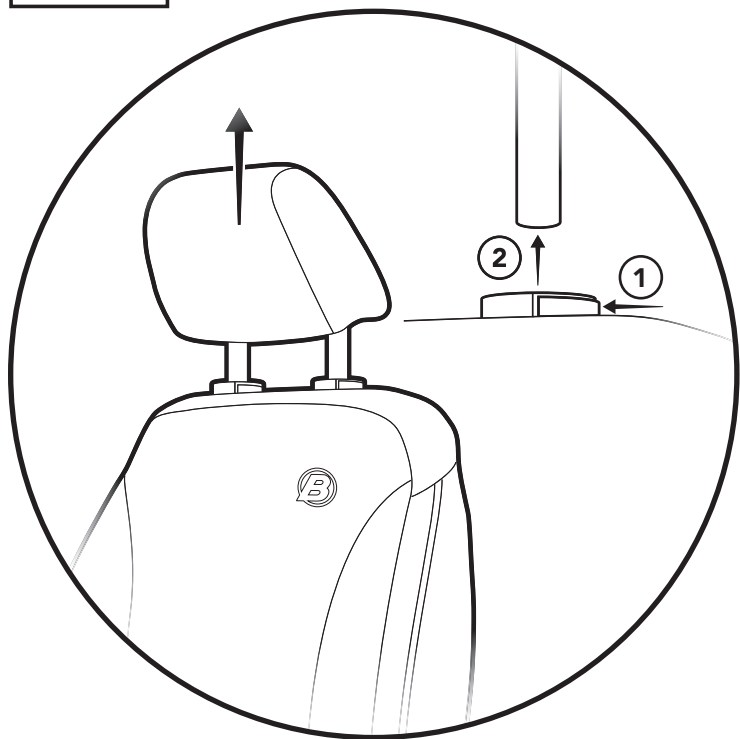
Vehicle Application:  
Jeep Wrangler JL 2-Door 2018-current  
Part Number 29293

## Parts List

- Required parts for installation - Page number in Installation Guide

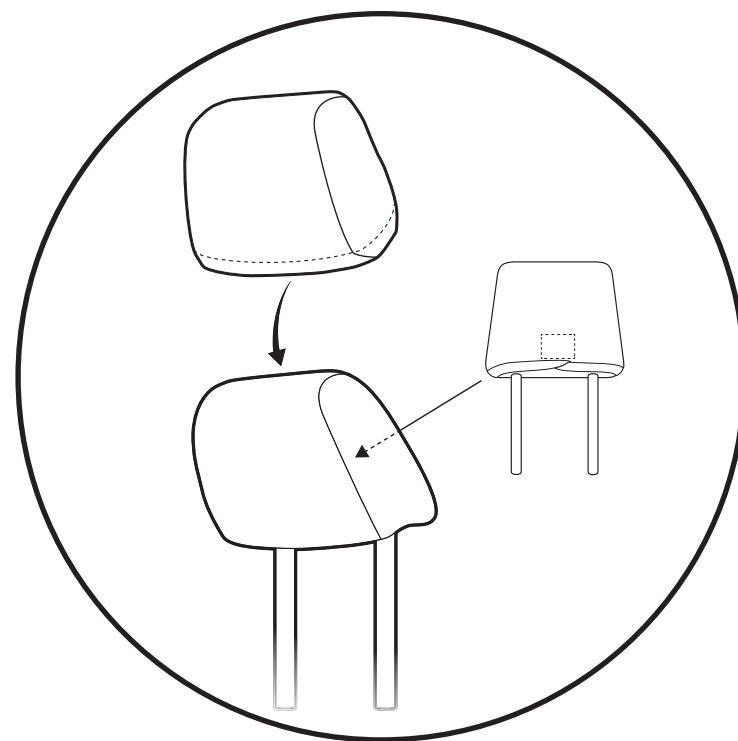
<b>All Sections</b>	<b>Headrest Covers; Seatback Covers</b>	<b>Pages 3 to 7 of Guide</b>
 <p>Headrest Covers Qty. 2</p>	 <p>Passenger-Side Seatback Cover Qty. 1</p>	 <p>Driver-Side Seatback Cover Qty. 1</p>

<b>All Sections</b>	<b>Seat Bottom Covers; S-Hooks</b>	<b>Pages 3 to 7 of Guide</b>
 <p>Passenger-Side Seat-Bottom Cover Qty. 1</p>	 <p>Driver-Side Seat-Bottom Cover Qty. 1</p>	 <p>Seat-Bottom Elastic Cord S-Hooks Qty. 2</p>

**Step 1****Step 1**

Remove the headrest from the driver's seat by pushing in on the release buttons supporting the headrest shafts and lifting up on the headrest.

Repeat this procedure for the passenger side seat.

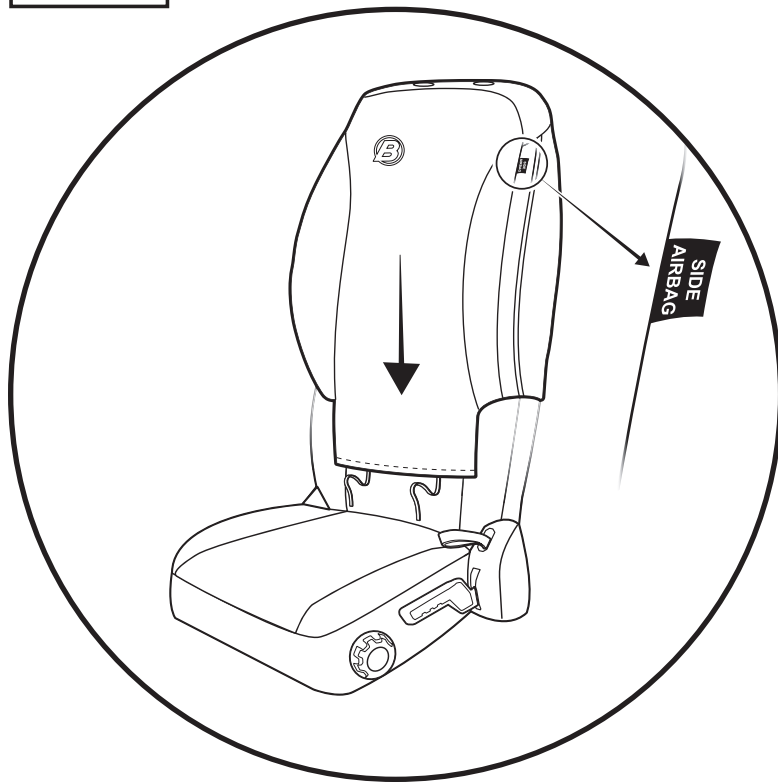
**Step 2****Step 2**

Wrap the headrest covers over the headrests, making sure that the crossed elastic edging and internal label are at the back of each headrest.

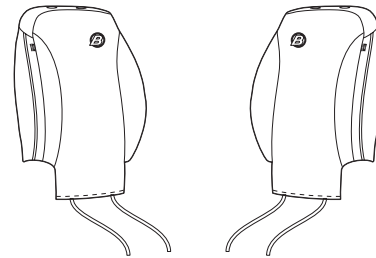
Adjust the seams for a smoother appearance.

Set headrests aside - do not reinstall at this time.

## Step 1

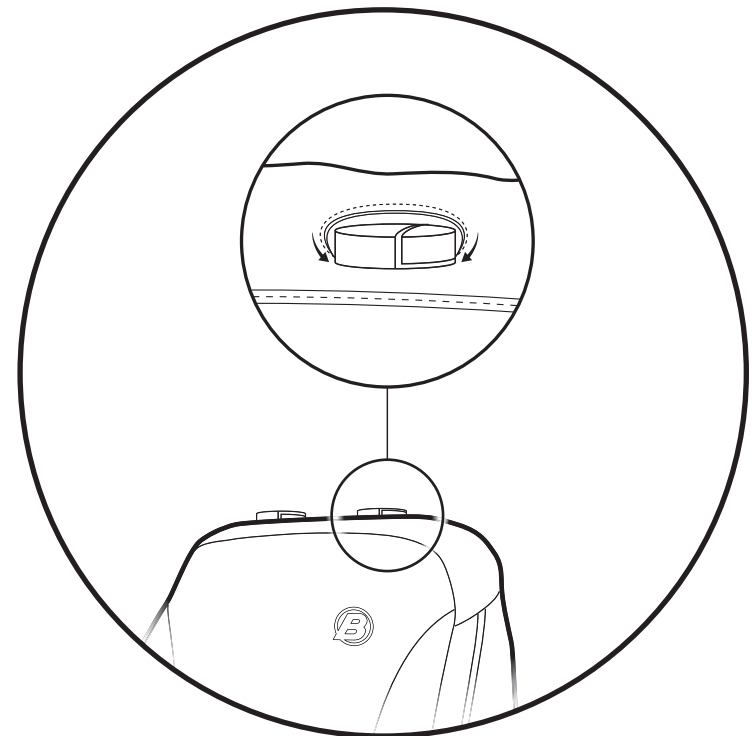


## Hardware



Seatback Covers  
Qty. 1 of each side

## Step 2



## Step 1

Slip the driver-side seat cover over the driver's seat, gently working the fabric down over the seat.

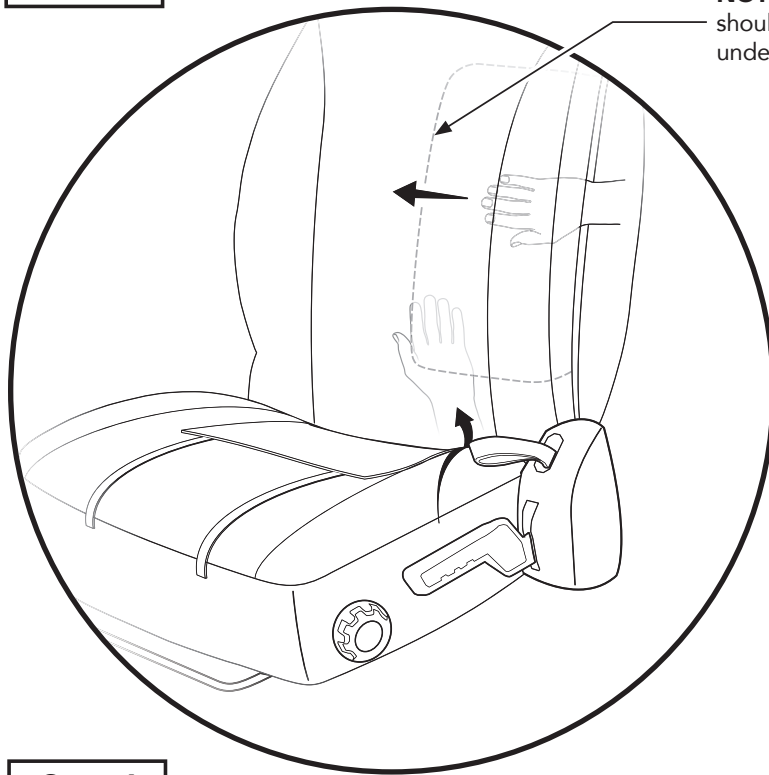
Make sure that the Side Airbag tag is nearest the vehicle door.

Repeat this procedure on the passenger seat.

## Step 2

Carefully stretch and tuck the seat cover fabric around and under the headrest release buttons on both driver and passenger seat covers.

**Step 1**



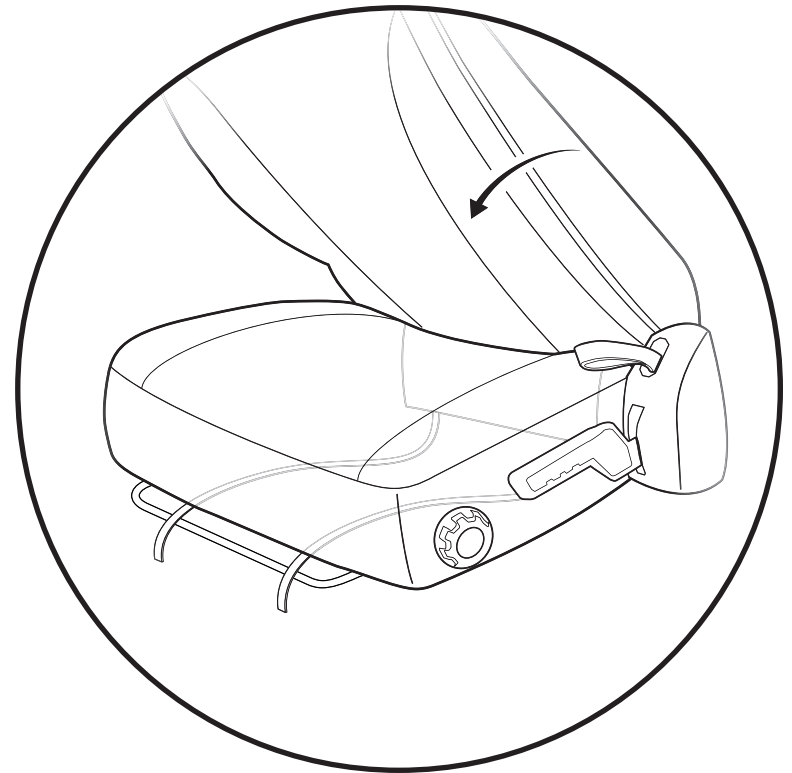
**NOTE:** The airbag flap should lie flat and smooth under the seat cover.

**Step 1**

Before you tuck the flap at the bottom of the cover between the seatback and bottom, tuck the airbag flap into the airbag opening with one hand, while at the same time reaching up under the front of the seat cover with the other hand to pull the airbag flap tight and smooth inside the seat cover.

Repeat this procedure for the passenger seat.

**Step 2**



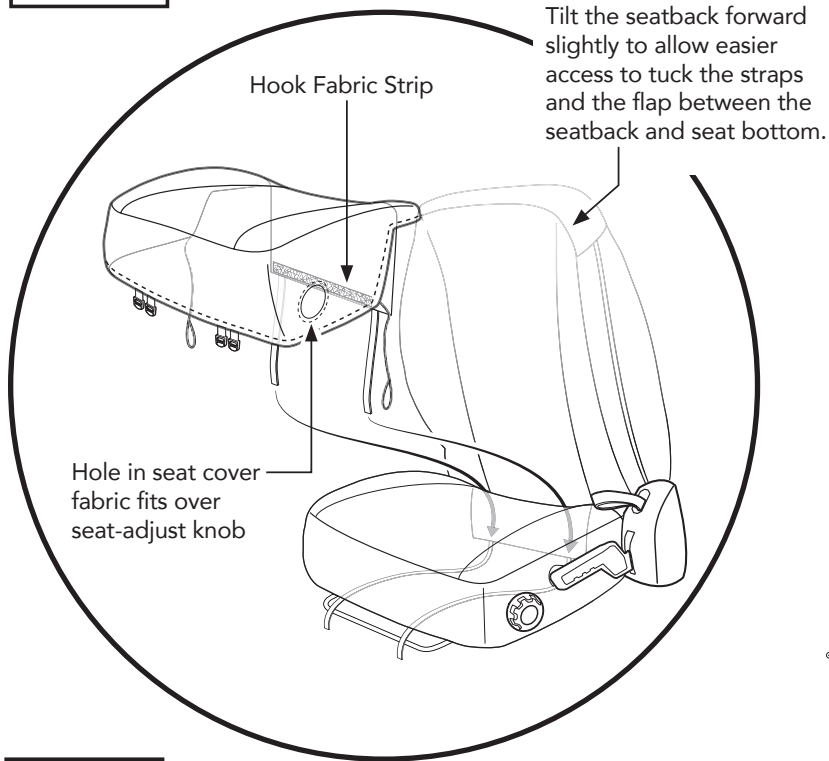
**Step 2**

Tilt the seatback forward and tuck the flap and the straps at the bottom of the seat cover between the seatback and the seat bottom, so the straps are underneath the seat.

Bring the straps forward, making sure that they are above all metal cross-members underneath the seat, and drape them over the slide release bar at the front of the seat.

Repeat this procedure for the passenger seat.

Step 1



Step 1

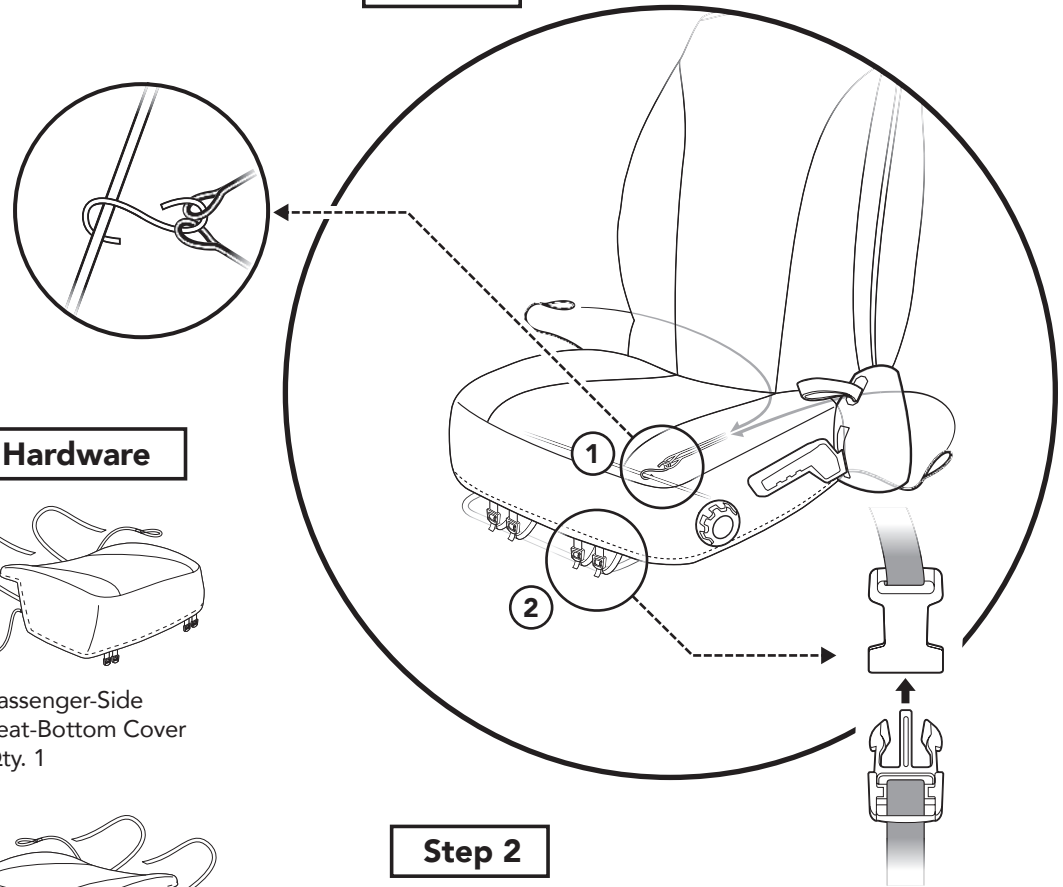
Slip the seat bottom cover over the seat, working the fabric toward the rear of the seat. Carefully fit the hole in the fabric over and around the seat adjustment knob.

Tuck the nylon straps between the seatback and the seat bottom, and bring them to the front of the underside of the seat, making sure that the straps go over all the metal cross-members underneath the seat.

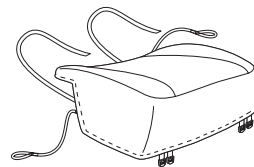
Tuck the flap between the seatback and the seat bottom, and working from behind the seat, pull the seat cover flap through enough to wrap around the factory installed carpeted flap and hook the fabric strip to the carpeted flap.

**IMPORTANT:** This must be done to keep the cushion seat cover from sliding forward during use.

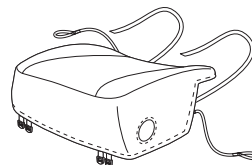
Step 2



Hardware



Passenger-Side Seat-Bottom Cover Qty. 1



Driver-Side Seat-Bottom Cover Qty. 1



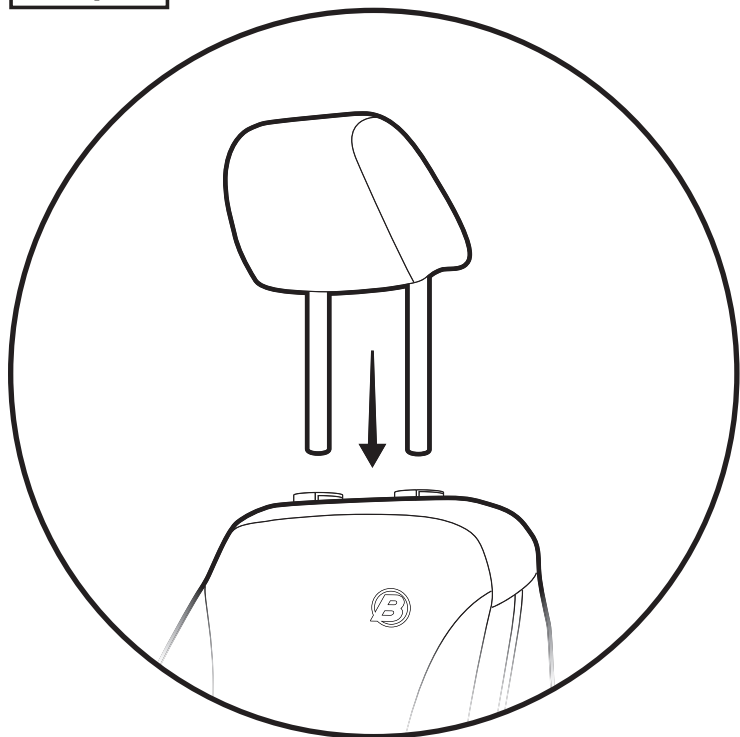
Seat-Bottom Elastic Cord S-Hooks Qty. 2

Step 2

Attach the two ends of the elastic cords to the closed end of the the s-hook. Attach the s-hook to a cross-member or wire underneath the seat, making sure to keep the cords away from the seat adjustment tracks.

Unclip the 4 side-release buckles and thread them onto the straps. Clip the buckles back together, and give the straps a gentle tug to snug the covers.

Verify the straps do not interfere with or unplug any of the wiring found under the seat. Make sure that the seat will tilt forward and back, and slide from front to back without the seat rail snagging the straps.

**Step 1****Step 1**

Replace the headrests on both the driver and passenger seats.



## Warranty Information Seat Covers, Front Kit

Vehicle Application:  
Jeep Wrangler JL 2-Door 2018-current  
Part Number 29293

### WHAT BESTOP WARRANTS

Subject to the terms and conditions of sale, including any terms and conditions set forth by Bestop, Inc. ("Bestop" or "us" or "we") in our then-current terms of sale on our website (collectively, the "Terms"), Bestop represents and warrants that: the covered products listed in the "Covered Products and Warranty Periods" section (a "Product") will substantially be free from defects in materials and workmanship for the specified warranty periods set forth in that section.

### THE WARRANTY IS LIMITED AND CONDITIONAL

This warranty applies to the original purchaser of the Product only. The warranty is valid only as long as the original retail purchaser owns the vehicle upon which the Product is installed. The warranty expires should the Product be removed from the original vehicle or if the original vehicle is transferred to another owner.

This warranty is not transferable or assignable. The warranty does not apply to Product bought from auction-style or price-bid websites.

THE LIMITED WARRANTY AND STATED REMEDIES ARE SOLE AND EXCLUSIVE AND IN LIEU OF ALL OTHER WARRANTIES AND REMEDIES, AND COMPANY EXPRESSLY DISCLAIMS ALL IMPLIED OR STATUTORY OR OTHER WARRANTIES, INCLUDING WITHOUT LIMITATIONS WARRANTIES OF MERCHANTABILITY, NON-INFRINGEMENT OR FITNESS FOR A PARTICULAR PURPOSE. IN NO EVENT WILL COMPANY BE LIABLE FOR ANY SPECIAL, INCIDENTAL, CONSEQUENTIAL, PUNITIVE, INDIRECT OR EXEMPLARY DAMAGES OF ANY KIND, INCLUDING LOST PROFITS OR REVENUE, HOWEVER CAUSED, WHETHER FOR BREACH OR REPUDIATION OF CONTRACT, TORT, BREACH OF WARRANTY, NEGLIGENCE, OR OTHERWISE, WHETHER OR NOT COMPANY WAS ADVISED OF THE POSSIBILITY OF SUCH LOSS OR DAMAGES.

*Some states do not allow exclusion or limitation, so this may not apply to you. This warranty gives you specific legal rights, and you may have other rights which vary from state to state.*

### EXCLUSIONS TO THE WARRANTY

The Limited Warranty excludes, and Bestop is not liable in any way for any warranty claims, damages, or defects related to:

- Misuse, abuse, accidents, vandalism, negligence, fire, or improper installation or modification, or improper or inadequate maintenance;
- Failure to comply with any Product documentation, Bestop instructions, or applicable law or regulations; use in extreme conditions
- Force Majeure including but not limited to, earthquake, hurricane, tornado, flooding, or other disasters natural or man-made, civil unrest, strikes, declared or undeclared war, or lack of performance by, or discontinued product of, supply chain partners whose products, software, operations or management is beyond the control of Bestop;
- Damage resulting in breakage (including without limitation, spontaneous breakage, accidental breakage or breakage by any other means) of a Product or any component part;
- Damage to vinyl windows due to misuse, or cracking due to varying weather conditions.

### YOUR SOLE REMEDY

During the applicable warranty period, Bestop shall, at its option, either repair or replace any Product that it confirms, in its discretion, is non-compliant with the warranties herein. Bestop will not pay for labor charges associated with installation or removal of the Product. Should a specific Product be discontinued, Bestop may, at its option, replace the discontinued Product with a current product or like product.

Please retain your proof of purchase. Original proof of purchase for the Product must accompany any warranty claim. If you have a warranty claim, first you must email Bestop Customer Service at [csbestop@bestop.com](mailto:csbestop@bestop.com) for instructions. All claims must be emailed to [csbestop@bestop.com](mailto:csbestop@bestop.com) within 30 days of discovery of a defective Product, but in no event later than thirty days after the end of the applicable Warranty Period (the "Warranty Notice Period"). Warranty claims made after the Warranty Notice Period are null and void and Bestop shall have no responsibility with respect to such claims.

THIS SECTION SETS FORTH BESTOP'S SOLE OBLIGATION & YOUR SOLE REMEDY WITH RESPECT TO ANY DEFECTS OR OTHER PRODUCT ISSUE. ANY PRODUCTS REPLACED UNDER TERMS OF THIS WARRANTY WILL BE COVERED UNDER TERMS & BALANCE OF THE DURATION OF THE ORIGINAL LIMITED WARRANTY FOR SUCH PRODUCT.





## Warranty Information Seat Covers, Front Kit

Vehicle Application:  
Jeep Wrangler JL 2-Door 2018-current  
Part Number 29293

**COVERED PRODUCTS AND WARRANTY PERIODS:** The warranty time periods are as follows for Products manufactured by Bestop:

### **BESTOP® LIMITED LIFETIME WARRANTY**

Trektop® Pro Twill Fabric Top Sunrider® for Hardtop Twill Fabric Top  
Trektop® NX Glide Twill Fabric Top Replace-a-Top™ Twill Fabric Top  
Trektop® NX Twill Fabric Top Supertop® NX Twill Fabric Top  
EZFold™ Soft Tonneaus Floor & Cargo Liners  
ZipRail™ Soft Tonneaus Pet Barriers  
EZRoll™ Soft Tonneaus

### **BESTOP® 5-YEAR LIMITED WARRANTY**

Trektop® NX Glide™ Top (non-Twill) Sunrider® for Hardtop (non-Twill) Replace-a-Top™ Top (non-Twill) Trektop® NX Top (non-Twill)  
Sailcloth Replace-a-Top™ Supertop® NX Top (non-Twill)  
Tigertop™ and Halftop™ Supertop® Classic Soft Top Sunrider® Complete Soft Top Supertop® for Truck  
EZ Fold Hard Tonneau

### **BESTOP® 3-YEAR/100K MILES LIMITED WARRANTY**

Powerboard® & Powerboard® NX  
Trekstep®, Side Mount  
Trekstep®, Rear Mount

### **BESTOP® 3-YEAR LIMITED WARRANTY**

Pavement Ends Sprint Top

### **BESTOP® 2-YEAR LIMITED WARRANTY**

Trektop® Classic Soft Top  
RoughRider™ Soft Storage

### **BESTOP® 1-YEAR LIMITED WARRANTY**

All other Bestop® & Pavement Ends™ products not specified above.

**For further information or request for warranty work, please contact:**

**Bestop Inc. Customer Service**  
**Toll-Free: (800)845-3567**  
**Main: (303)465-1755**  
**E-mail: [csbestop@Bestop.com](mailto:csbestop@Bestop.com)**  
**Website: [www.Bestop.com](http://www.Bestop.com)**