



Installation Instructions 4-Door Trek Top Halftop

Vehicle Application:
Jeep® Wrangler Unlimited JL 2018-Current
Part Number 53902

Installation Tips

Before you begin installing your new Trek Top, please read all the instructions thoroughly.

For easier installation, the top should be installed at a temperature above 72° F. Below this temperature, the fabric may contract making it difficult to fit the vehicle.

WARNING Do not rely in any way on the components of this product to protect against injury or death in the event of an accident. Never operate the vehicle in excess of manufacturer's specifications.

Read and follow, precisely, all installation instructions provided when installing this product. Failure to do so may result in a poor fit and could place occupants of the vehicle in a potentially dangerous situation.



CAUTION Safety glasses should be worn at all times when installing this product.

WEAR SEAT BELTS AT ALL TIMES

Tools				Installation Time	Support
 Safety Glasses	 T8 - T40 - T45 Torx Drivers	 3mm - 4mm - 5mm Allen Wrenches		 4 hours	We're here to help! Go to: https://www.bestop.com and click on Need Help? https://www.bestop.com/video-library
 Torque Wrench	 8mm - 13mm Wrenches	- OR - Socket Wrench	 8mm - 13mm Sockets	Skill Level 3 - Moderately Difficult	



Installation Instructions 4-Door Trek Top Halftop

Vehicle Application:
Jeep® Wrangler Unlimited JL 2018-Current
Part Number 53902

Sugerencias de Instalación

Antes de empezar a instalar esta unidad, lea atentamente todas las instrucciones.

Para un buen ajuste:

Para facilitar la instalación, el producto debe instalarse a temperaturas superiores a 72 °F (22 °C).

Por debajo de esta temperatura, la tela puede encogerse una pulgada o más, lo que dificultaría su ajuste al vehículo.

Es normal que la tela se contraiga o arrugue cuando está guardada en la caja de empaque. A los pocos días después de la instalación, la tela se relajará y las arrugas desaparecerán.



ADVERTENCIA

Este producto se diseñó principalmente para mejorar la apariencia del vehículo y proteger a los ocupantes de las condiciones climáticas comunes. De ninguna manera piense que los componentes de este producto pueden servir como medio de contención para los ocupantes del vehículo o que pueden protegerlos contra lesiones o la muerte en caso de accidente. Este producto no protegerá a los ocupantes contra caídas de objetos. Nunca conduzca este vehículo fuera de las especificaciones del fabricante.

USE LOS CINTURONES DE SEGURIDAD EN TODO MOMENTO

Lea y siga con precisión todas las instrucciones de instalación que se proporcionan para instalar este producto. Si no lo hace, podría producirse un mal ajuste que colocaría a los ocupantes del vehículo en una situación potencialmente peligrosa.



PRECAUCIÓN

Debe usar gafas protectoras en todo momento durante la instalación de este producto.

Conseils pour l'installation

Lire toutes les instructions au complet avant de commencer l'installation de cet assemblage.

Pour un ajustement sans problème :

Afin de faciliter l'installation, ce produit doit être installé à des températures au-dessus de 72 °F (22 °C).

Sous cette température, le tissu peut rétrécir d'un pouce (2,5 cm) ou plus, ce qui rendra l'ajustement sur le véhicule difficile.

Il est normal que le tissu rétrécisse et plisse pendant qu'il est dans la boîte d'expédition. En quelques jours après l'installation, le tissu se détendra et les plis disparaîtront.



AVERTISSEMENT

Ce produit est conçu principalement pour améliorer l'apparence du véhicule et pour protéger les occupants des conditions météorologiques usuelles. Ne jamais se fier aux composants de ce produit pour se protéger de blessures ou de la mort en cas d'accident. Ce produit ne protégera pas les occupants des chutes d'objets. Ne jamais utiliser le véhicule au-delà des caractéristiques techniques indiquées par le fabricant.

PORTER UNE CEINTURE DE SÉCURITÉ EN TOUT TEMPS

Lire et suivre, très fidèlement, toutes les instructions d'installation fournies lors de l'installation de ce produit. Ne pas suivre cette consigne peut causer une installation inadéquate et mettre les occupants du véhicule dans une situation potentiellement dangereuse.



MISE EN GARDE

Des lunettes de sécurité doivent être portées en tout temps lors de l'installation de ce produit.



Installation Instructions
4-Door Trek Top Halftop

Vehicle Application:
Jeep® Wrangler Unlimited JL 2018-Current
Part Number 53902

Rear Door Rails, Upper and Lower



Upper Rear Door Rail
Part #574.42 - Right
Qty. 1



Upper Rear Door Rail
Part #574.43 - Left
Qty. 1

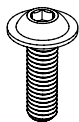


Lower Rear Door Rail
Part #574.46 - Right
Qty. 1

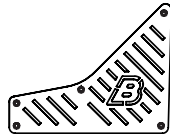


Lower Rear Door Rail
Part #574.47 - Left
Qty. 1

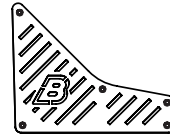
Parts Kit #574.62



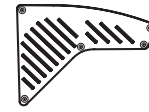
M6x20mm
Flanged Button Head
Cap Screw
#517.48
Qty. 4



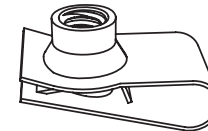
Lower Rear
Door Rail Grille
#579.00 - Right
Qty. 1



Lower Rear
Door Rail Grille
#579.01 - Left
Qty. 1



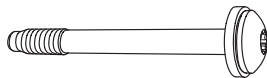
Upper Rear
Door Rail Grille
#578.96
Qty. 2



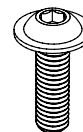
M6 U-Clip
#537.49
Qty. 4



M3.5x6
Screw
#574.44
Qty. 20



M8 x 1.25 x 80
Screw
#532.23
Qty. 8



M8x1.25x20mm
Flanged Button Head
Cap Screw
#573.09
Qty. 2

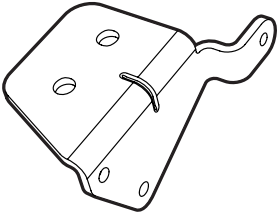
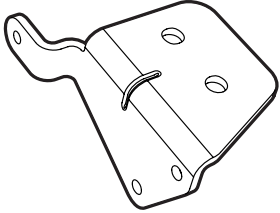







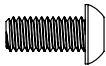

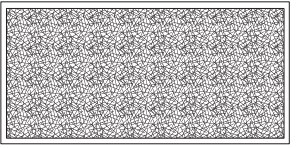








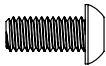

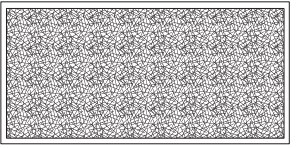








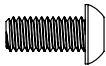

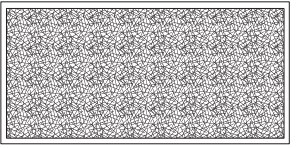

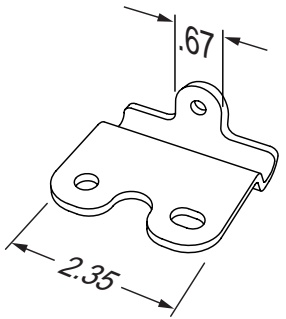
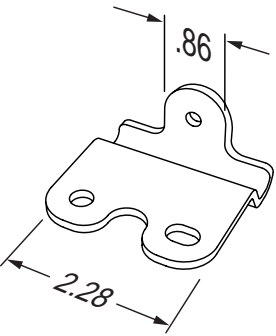


M8 Flat Washer
#515.84
Qty. 2



Installation Instructions
4-Door Trek Top Halftop

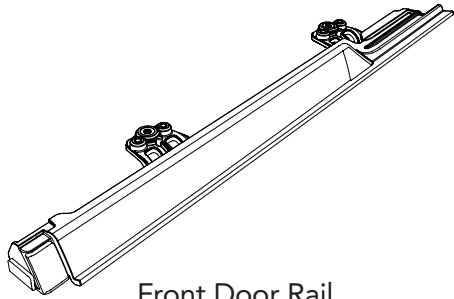
Vehicle Application:
Jeep® Wrangler Unlimited JL 2018-Current
Part Number 53902

 <p>#5 Bow Bracket Part #576.30 - Right Qty. 1</p>	 <p>#5 Bow Bracket Part #576.31 - Left Qty. 1</p>	<div style="border: 1px solid black; padding: 5px; text-align: center;"> Parts Kit #576.59 </div> <table style="width: 100%; border-collapse: collapse;"> <tr> <td data-bbox="1008 576 1186 771" style="text-align: center;">  M8x1.25 Nylon Lock Nut #434.12 Qty. 4 </td> <td data-bbox="1249 592 1417 747" style="text-align: center;">  Plastic Bushing #473.40 Qty. 16 </td> <td data-bbox="1480 609 1659 738" style="text-align: center;">  M8 Flat Washer #515.84 Qty. 4 </td> <td data-bbox="1732 430 1942 649" style="text-align: center;">  M8x1.25x20 Button Head Socket Cap Screw #431.59 Qty. 4 </td> </tr> <tr> <td data-bbox="1008 868 1186 1031" style="text-align: center;">  M6 Flat Washer #515.81 Qty. 12 </td> <td data-bbox="1249 885 1449 1031" style="text-align: center;">  M5 Nylon Lock Nut #526.76 Qty. 8 </td> <td data-bbox="1480 885 1659 1031" style="text-align: center;">  M5 Flat Washer #565.90 Qty. 16 </td> <td data-bbox="1732 690 1942 901" style="text-align: center;">  M6x1x14 Button Head Socket Cap Screw #517.63 Qty. 18 </td> </tr> <tr> <td data-bbox="1008 1161 1291 1323" style="text-align: center;">  M5x0.8x25 Button Head Socket Cap Screw #579.60 Qty. 8 </td> <td colspan="3" data-bbox="1375 1161 1669 1396" style="text-align: center;">  2.5"x2" Hook-&-Loop Strip #592.35 Qty. 6 </td> <td data-bbox="1732 958 1942 1161" style="text-align: center;">  M8x1.25x38 Button Head Socket Cap Screw #532.17 Qty. 2 </td> </tr> </table>				 M8x1.25 Nylon Lock Nut #434.12 Qty. 4	 Plastic Bushing #473.40 Qty. 16	 M8 Flat Washer #515.84 Qty. 4	 M8x1.25x20 Button Head Socket Cap Screw #431.59 Qty. 4	 M6 Flat Washer #515.81 Qty. 12	 M5 Nylon Lock Nut #526.76 Qty. 8	 M5 Flat Washer #565.90 Qty. 16	 M6x1x14 Button Head Socket Cap Screw #517.63 Qty. 18	 M5x0.8x25 Button Head Socket Cap Screw #579.60 Qty. 8	 2.5"x2" Hook-&-Loop Strip #592.35 Qty. 6			 M8x1.25x38 Button Head Socket Cap Screw #532.17 Qty. 2
 M8x1.25 Nylon Lock Nut #434.12 Qty. 4	 Plastic Bushing #473.40 Qty. 16	 M8 Flat Washer #515.84 Qty. 4	 M8x1.25x20 Button Head Socket Cap Screw #431.59 Qty. 4															
 M6 Flat Washer #515.81 Qty. 12	 M5 Nylon Lock Nut #526.76 Qty. 8	 M5 Flat Washer #565.90 Qty. 16	 M6x1x14 Button Head Socket Cap Screw #517.63 Qty. 18															
 M5x0.8x25 Button Head Socket Cap Screw #579.60 Qty. 8	 2.5"x2" Hook-&-Loop Strip #592.35 Qty. 6			 M8x1.25x38 Button Head Socket Cap Screw #532.17 Qty. 2														
 <p>Side Bow Pivot Bracket Part #579.96 Qty. 2</p>	 <p>#2 Bow Pivot Bracket Part #579.95 Qty. 2</p>																	

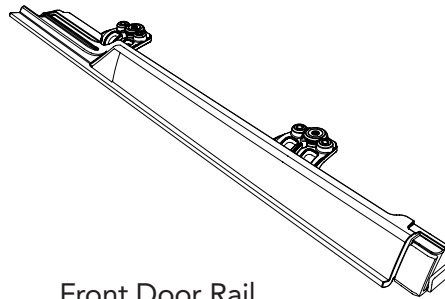


Installation Instructions
4-Door Trek Top Halftop

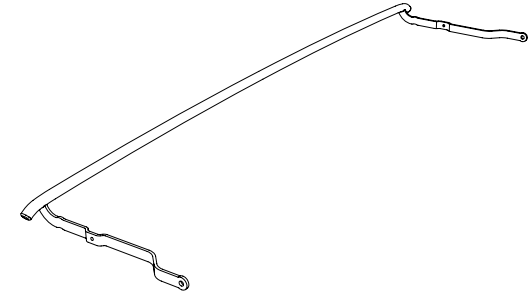
Vehicle Application:
Jeep® Wrangler Unlimited JL 2018-Current
Part Number 53902



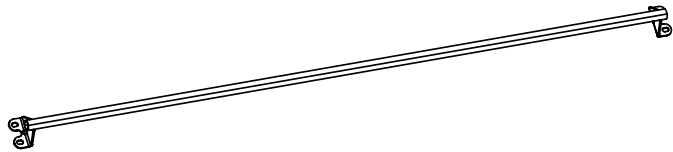
Front Door Rail
Part #574.32 - Right
Qty. 1



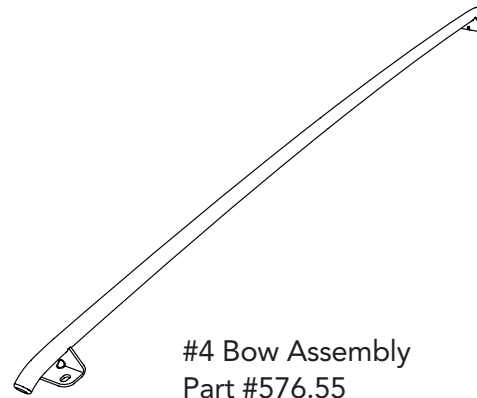
Front Door Rail
Part #574.33 - Left
Qty. 1



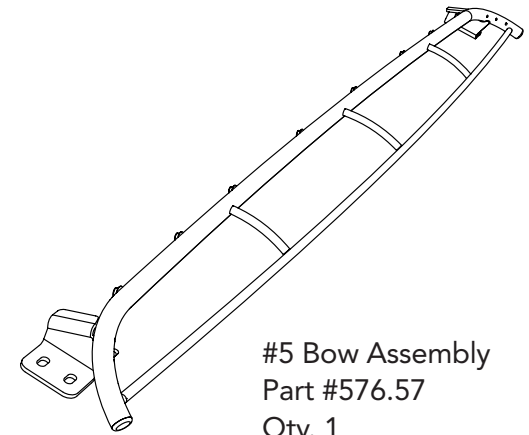
#2 Bow Assembly
Part #576.44
Qty. 1



#3 Bow
Part #591.60
Qty. 1



#4 Bow Assembly
Part #576.55
Qty. 1

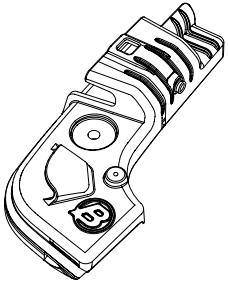
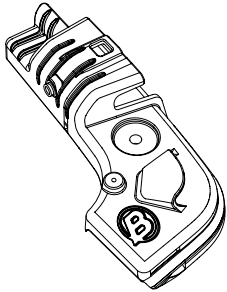
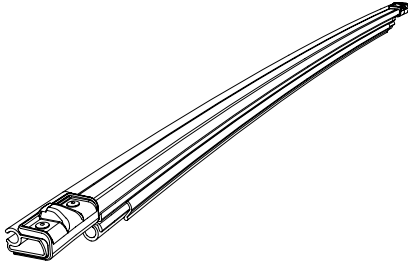
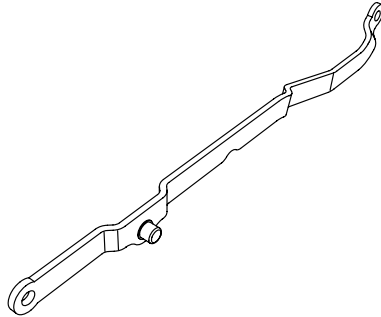
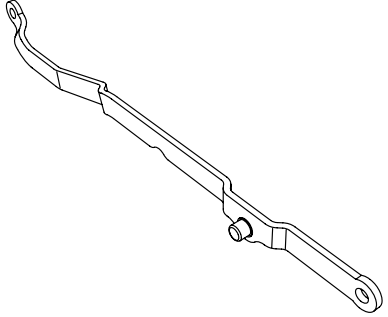


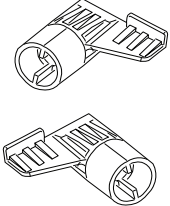
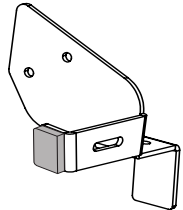
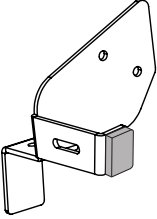


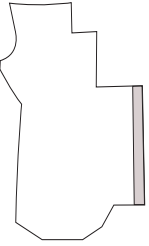
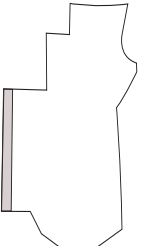
#5 Bow Assembly
Part #576.57
Qty. 1



Installation Instructions 4-Door Trek Top Halftop

Vehicle Application:
Jeep® Wrangler Unlimited JL 2018-Current
Part Number 53902

 <p>Tailgate Bar Retainer Part #575.38 - Right Qty. 1</p>	 <p>Tailgate Bar Retainer Part #575.39 - Left Qty. 1</p>	 <p>Tailgate Bar Part #575.33 Qty. 1</p>	 <p>#2 Bow Link Assembly Part #576.15 - Left Qty. 1</p>	 <p>#2 Bow Link Assembly Part #576.16 - Right Qty. 1</p>
--	---	--	--	---

 <p>Plastic End Caps Qty. 1 Each Part # 592.66 RH Part # 593.71 LH</p>	 <p>BRKT, Bow Support Rear Right Part #609.32 Qty. 1 ea</p>	 <p>BRKT, Bow Support Rear Left Part #609.33 Qty. 1 ea</p>	 <p>Bow D Pillar Part #603.93 Qty. 2</p>	 <p>Extruded Aluminum Bow Qty. 1 Part # 609.30</p>	 <p>Sportbar Sleeve Right</p>	 <p>Sportbar Sleeve Left</p>
---	--	---	---	---	--	---



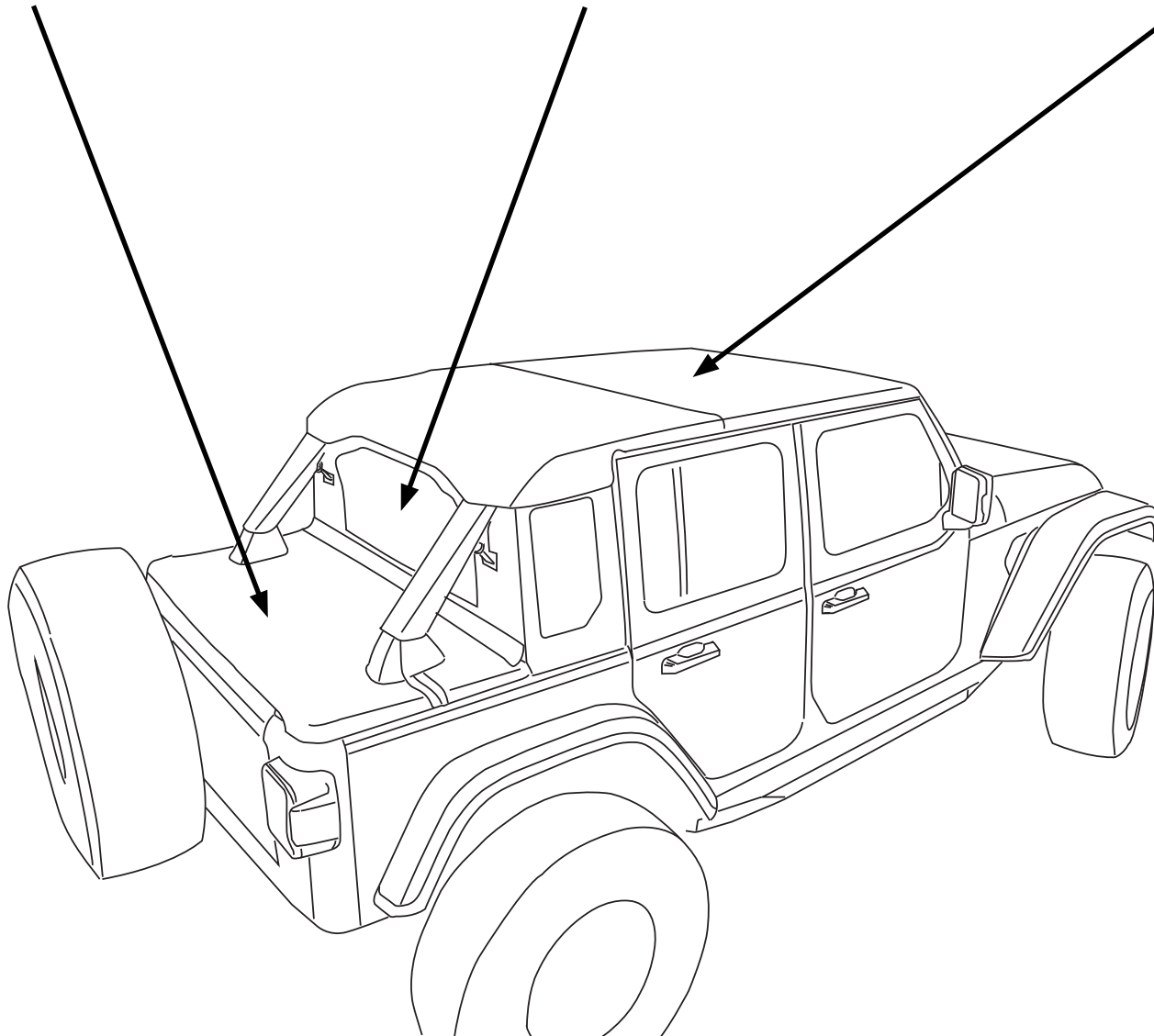
Installation Instructions
4-Door Trek Top Halftop

Vehicle Application:
Jeep® Wrangler Unlimited JL 2018-Current
Part Number 53902

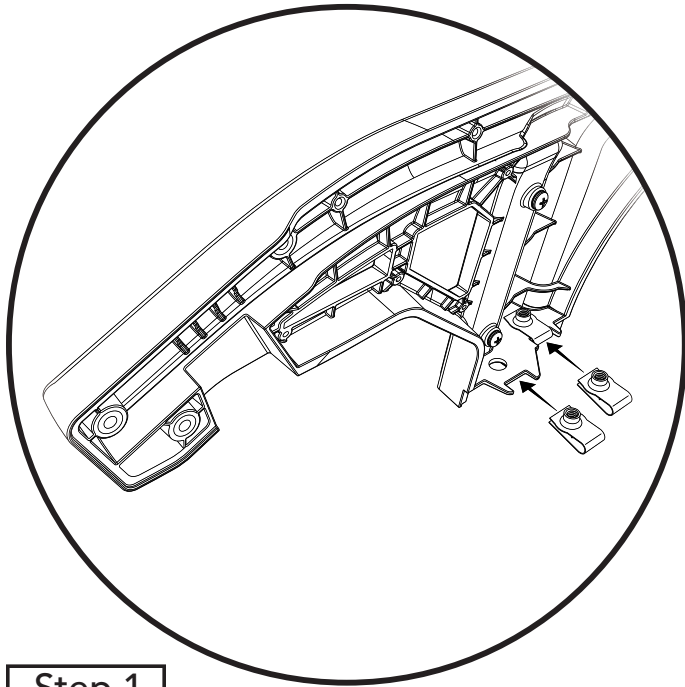
Duster Assembly

Windjammer Assembly

Deck, Header Assembly & Fabric Top



Step 1



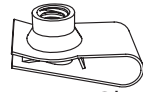
Hardware



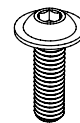
Upper Rear Door Rail
Part #574.42 - Right
Part #574.43 - Left
Qty. 1 of each



Lower Rear Door Rail
Part #574.46 - Right
Part #574.47 - Left
Qty. 1 of each

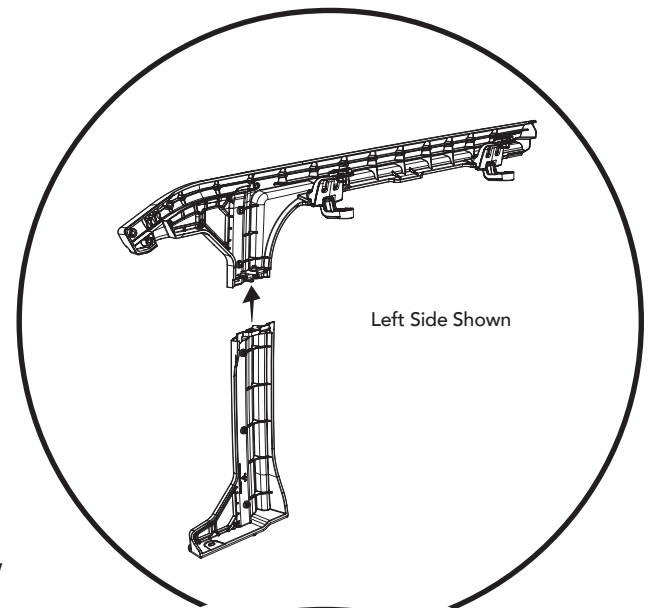


M6 U-Clip
#537.49
Qty. 4



M6x20mm
Flanged Button
Head Cap Screw
#517.48
Qty. 4

Step 2



Step 1

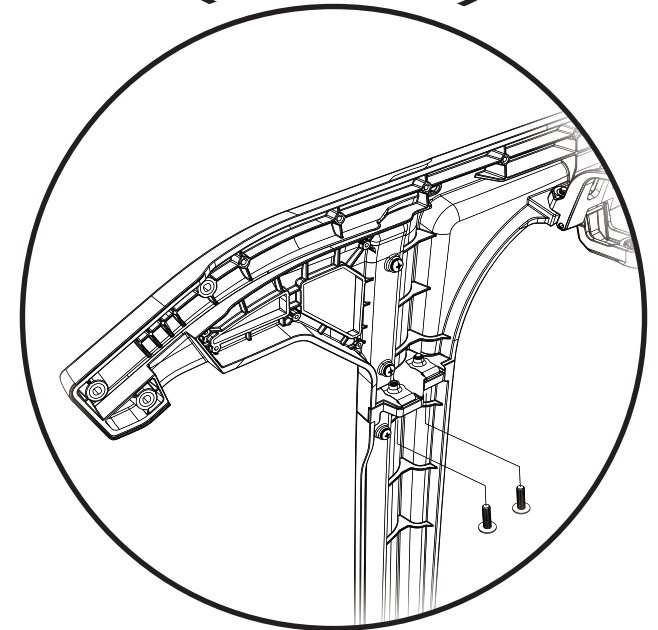
Attach the two (2) U-Clips #537.49 to the Upper Rear Door Rails #574.42 (right) and #574.43 (left) in the positions indicated. Make sure to have the threaded barrel of each U-Clip facing up.

Tools

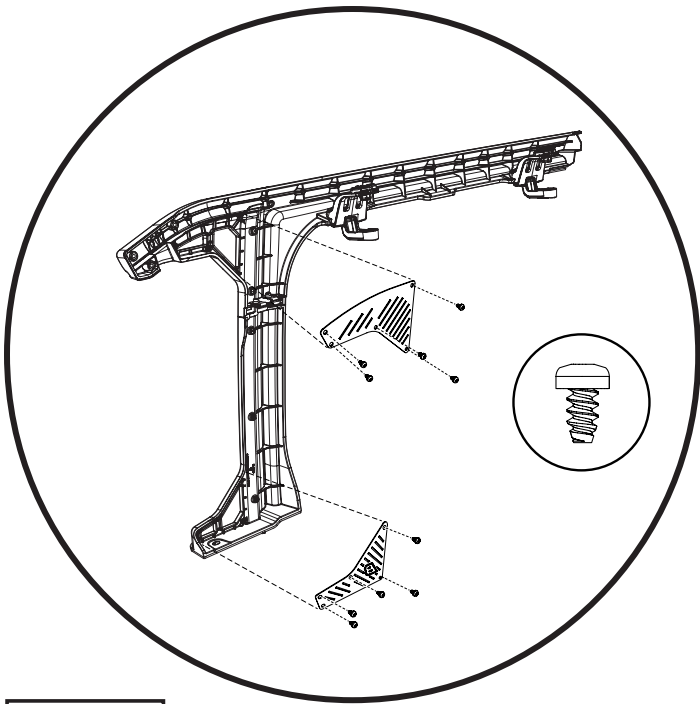


Step 2

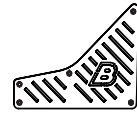
Attach the Upper Rear Door Rail #574.42 (right) to the Lower Rear Door Rail #574.46 (right). Attach the Upper Rear Door Rail #574.43 (left) to the Lower Rear Door Rail #574.47 (left). Use two (2) #517.48 Button Head Cap Screws (can be found in Small Parts Kit #574.62) per assembly. Screws thread up from the bottom into the U-Clips.



Step 1



Hardware



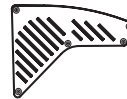
Lower Rear Door Rail Grille #579.00 - Right Qty. 1



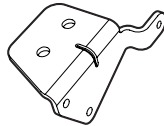
Lower Rear Door Rail Grille #579.01 - Left Qty. 1



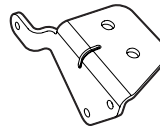
M3.5x6 Screw #574.44 Qty. 20



Upper Rear Door Rail Grille #578.96 Qty. 2



#5 Bow Bracket Part #576.30 - Right Qty. 1

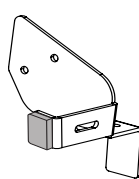


#5 Bow Bracket Part #576.31 - Left Qty. 1

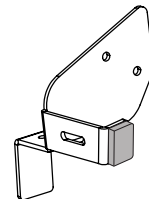
Step 1

Attach the Upper Rear Door Rail Grilles #578.96 to each Rear Door Rail Assembly using five (5) #574.44 screws for each grille. These grilles are the same on each side.

Attach the Lower Rear Door Grille #579.00 (right) to the Right Rear Door Rail Assembly, using five (5) #574.44 screws for each grille. Attach the Lower Door Rail Grille #579.01 (left) to the Left Rear Door Rail Assembly, using five (5) #574.44 screws for each grille.



BRKT, Bow Support Rear Right Part #609.32 Qty. 1 ea



BRKT, Bow Support Rear Left Part #609.33 Qty. 1 ea



M6x14 Button Head Socket Cap Screw #517.63 Qty. 6

Step 2

Attach the #5 Bow Brackets, #576.30 (right) and #576.31 (left) and the Bow Support Brackets #609.32 (right) and #609.33 (left) to the back side of each Rear Door Rail Assembly.

Attach the Brackets using three (3) M6 x 1 x 14 Button Head Socket Cap Screws #517.63 for each Door Rail Assembly.

Tools

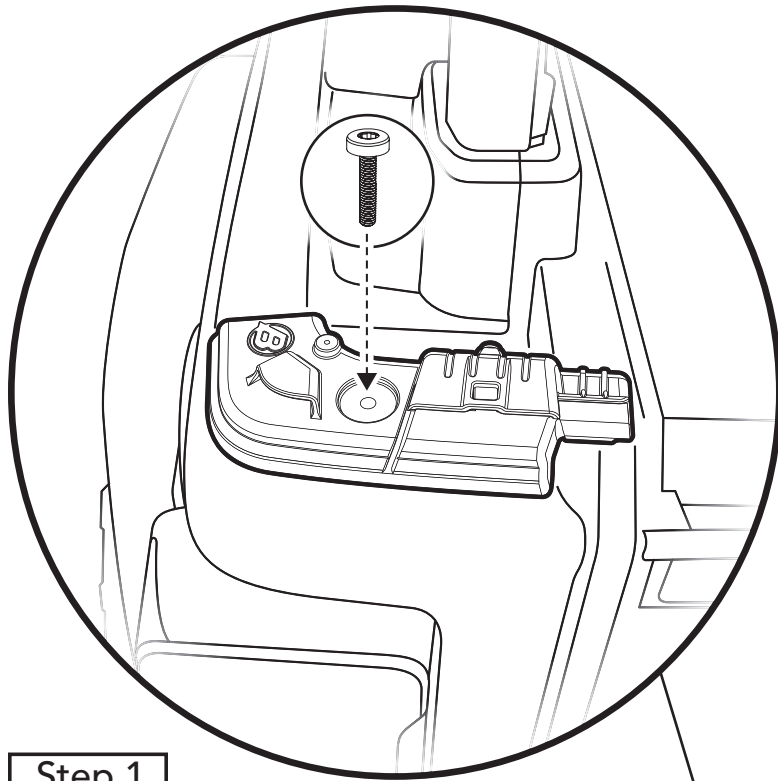


T8 Torx Driver



4mm Allen Wrench

Step 1



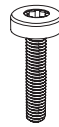
Hardware



Tailgate Bar Retainer
Part #575.38 - Right
Qty. 1



Tailgate Bar Retainer
Part #573.39 - Left
Qty. 1



M8x1.25x38
Button Head
Socket Cap Screw
#532.17
Qty. 2

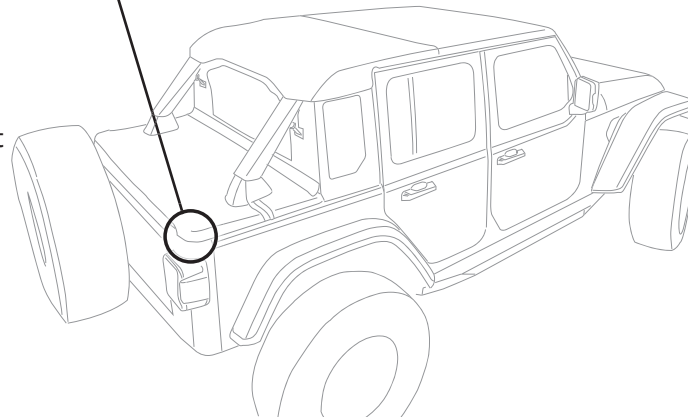
Tools



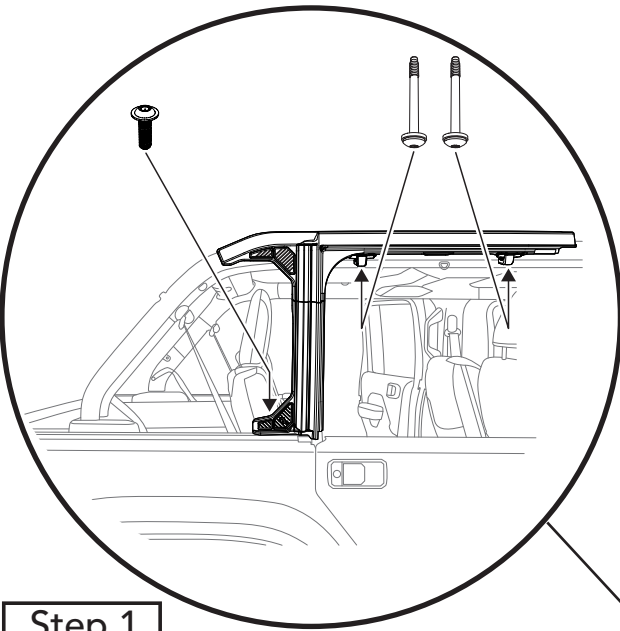
T45 Torx Driver

Step 1

Attach the Tailgate Bar Retainers #575.38 (right) and #573.39 (left) to the Jeep Belt Rail, using one (1) M8x1.25x38 Button Head Socket Cap Screw #532.17 per retainer. Insert the screws through the retainers, and into threaded holes in the top of the Jeep belt rail, and tighten.



Step 1



Step 1

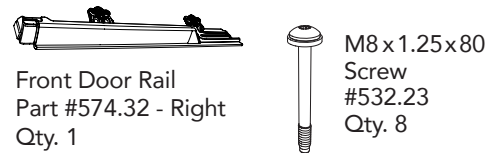
Place each Rear Door Rail Assemblies onto the vehicle just behind the rear doors.

Align the hole in the lower portion of the Assembly with the threaded hole in the vehicle belt rail, the alignment pin on the bottom of the Assembly with the receiving hole in the top of the belt rail, and the two integral brackets along the top of the Assembly with the through-holes in the vehicle Sport Bar. Insert two (2) M8x1.25x80 Screws #532.23 up from the bottom of the integral brackets and tighten to 55 in/lb (4.5 ft/lb).

Use one (1) M8x1.25x20 screw #573.09 on each Assembly to secure the Assembly to the vehicle belt rail.

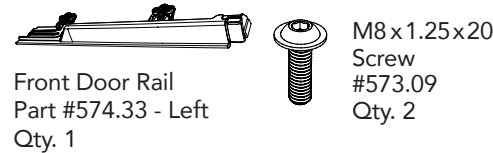
Note: Place the passenger side Rear Door Rail in place but do not attach the fasteners at this time.

Hardware



Front Door Rail
Part #574.32 - Right
Qty. 1

M8x1.25x80
Screw
#532.23
Qty. 8



Front Door Rail
Part #574.33 - Left
Qty. 1

M8x1.25x20
Screw
#573.09
Qty. 2



Rear Door Rail
Assemblies
Qty. 2

Tools

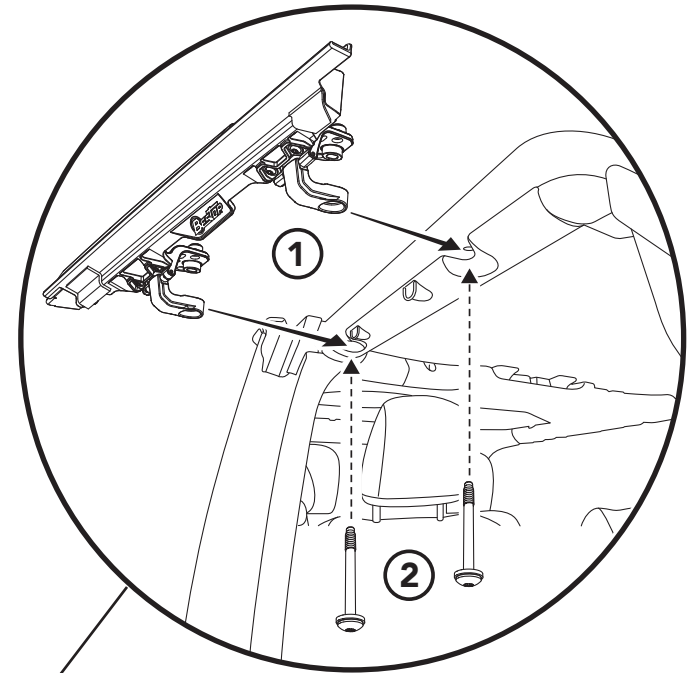


Torque Wrench



T40 Torx Driver

Step 2



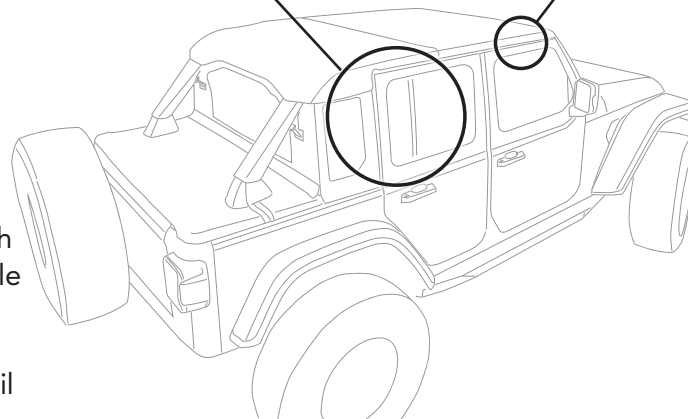
Step 2

① Place each Front Door Rail #574.32 (left) and #574.33 (right) on the vehicle, aligning the rail brackets with the through-holes in the vehicles sport bar.

② Secure each Front Door Rail to the sport bar using two (2) M8x1.25x80 Socket Cap Screws #532.23.

Insert the screws from the bottom and tighten to 55 in/lb (4.5 ft/lb)

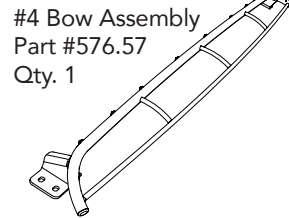
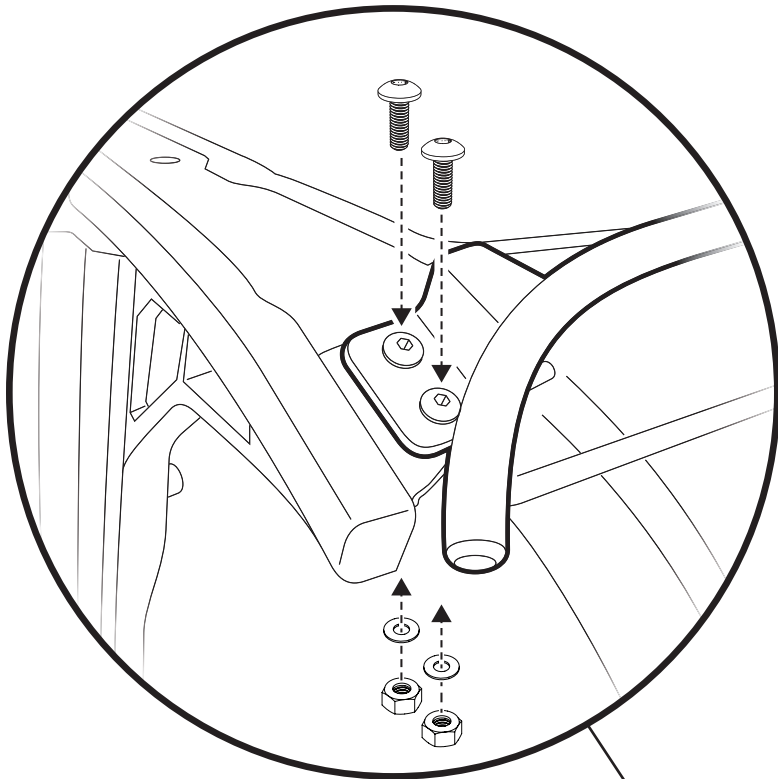
Note: To prevent over torquing, Use a Screwdriver type Torx driver if a torque wrench is not available.



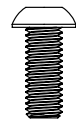
Step 1

Hardware

Tools



#4 Bow Assembly
Part #576.57
Qty. 1



M8x1.25x20
Button Head
Socket Cap Screw
#431.59
Qty. 4



M8 Flat Washer
#515.84
Qty. 4



M8x1.25
Nylon Lock Nut
#434.12
Qty. 4

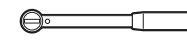


5mm Allen
Wrench



13mm
Wrench

- OR -



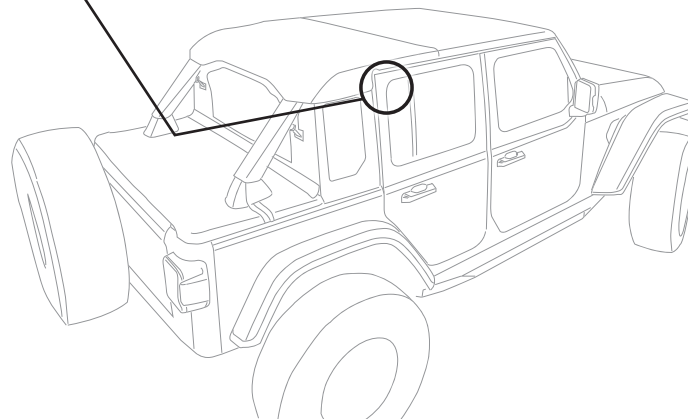
Socket
Wrench



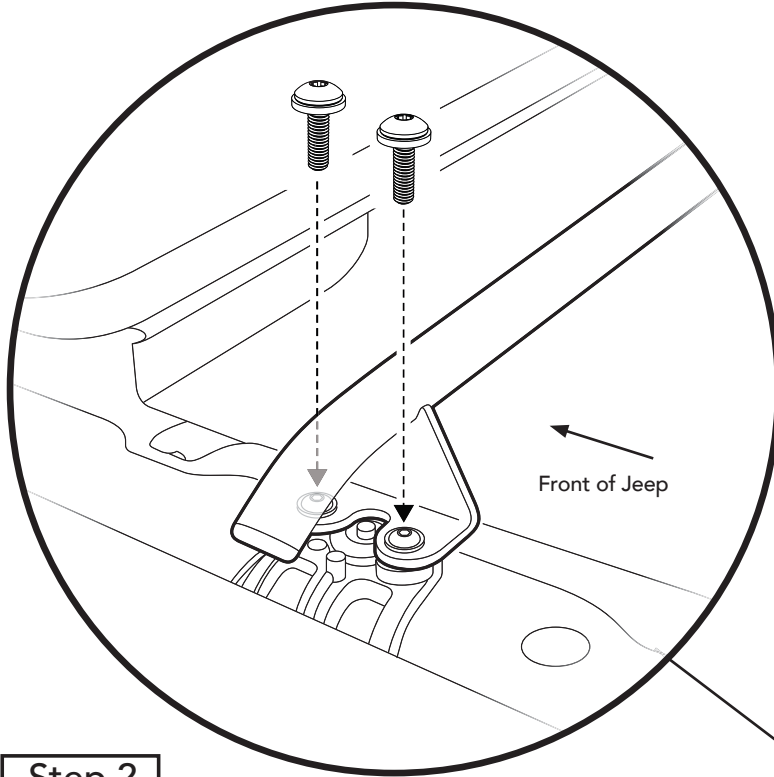
13mm
Socket

Step 1

Attach the #4 Bow #576.57 to the brackets on the rear of each Rear Door Rail. Secure the #4 Bow to the Rear Door Rail Brackets using two (2) M8x1.25x20 Button Head Cap Screws #431.59, two (2) M8 Flat Washers #515.84, and two (2) M8x1.25 Nylon Lock Nuts #434.12 on each side.

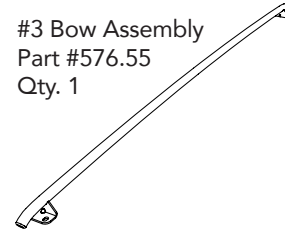


Step 2



Hardware

#3 Bow Assembly
Part #576.55
Qty. 1



M6x14
Button Head
Socket Cap Screw
#517.63
Qty. 4



M6 Flat Washer
#515.81
Qty. 4



Tools

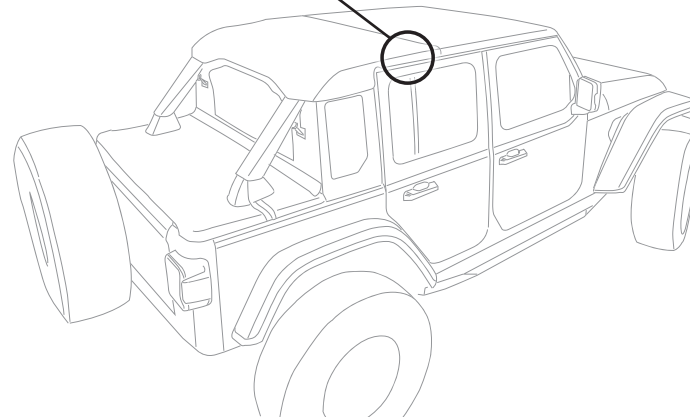
4mm Allen
Wrench

Step 2

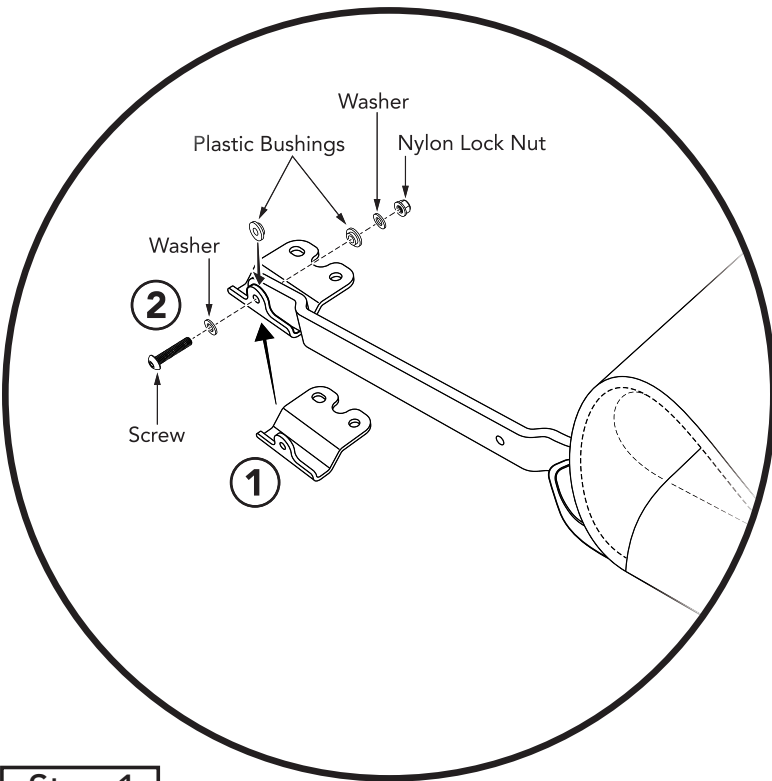
Attach the #3 Bow #576.55 to the top of the Rear Door Rail rear brackets.

Attach one long side of the Mesh Panel #585.34 to the front mounting holes for the #3 Bow. The long side of the Mesh Panel goes across the Jeep.

Secure the #3 Bow and the Mesh Panel to the top of the brackets using two (2) M6x14 Button Head Cap Screws #517.63 and two (2) M6 Flat Washers #515.81 on each side of the Jeep.



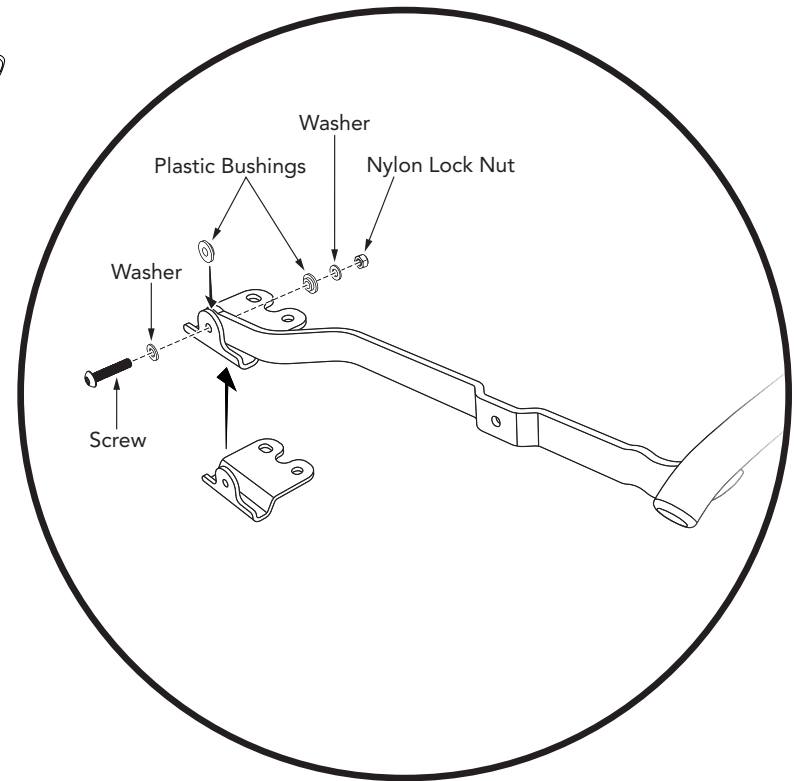
Step 1



Hardware

-  Side Bow Pivot Bracket
Part #579.96
Qty. 2
-  #2 Bow Pivot Bracket
Part #579.95
Qty. 2
-  M5x0.8x25 Button Head Socket Cap Screw
#579.60
Qty. 8
-  M5 Flat Washer
#565.90
Qty. 8
-  Plastic Bushing
#473.40
Qty. 8
-  M5 Nylon Lock Nut
#526.76
Qty. 4

Step 2



Step 1

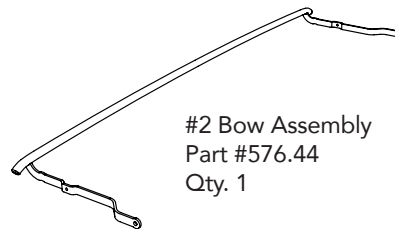
Attach the Side Bow Pivot Brackets #579.96

to the Side Bows on the Header/Deck Assembly #579.05.

The Brackets attach to the end of each Side Bow using one (1) M5x0.8x25 Button Head Socket Cap Screw #579.60, two (2) Bushings #473.40, two (2) M5 Flat Washers #565.90

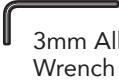

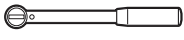

and one (1) M5 Nylon Lock Nut #526.76 on each Side Bow Leg.

The Plastic Bushings go directly on either side of the Side Bow legs, with the larger hole.



#2 Bow Assembly
Part #576.44
Qty. 1

Tools

-  3mm Allen Wrench
-  8mm Wrench
- OR -
-  Socket Wrench
-  8mm Socket

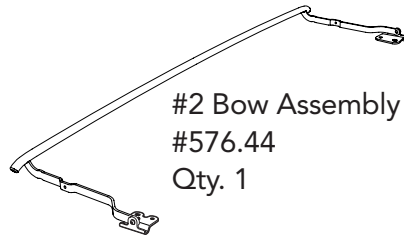
Step 2

Attach the #2 Bow Pivot Brackets #579.95 to the #2 Bow #576.44.

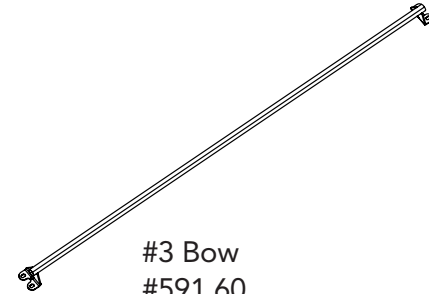
The Brackets attach to the end of each #2 Bow leg using one (1) M5x0.8x25 Button Head Socket Cap Screw #579.60, two (2) Bushings #473.40, two (2) M5 Flat Washers #565.90 and one (1) M5 Nylon Lock Nut #526.76 on each Side Bow Leg. The Plastic Bushings go directly on either side of the Side Bow legs, with the larger hole.

Step 1

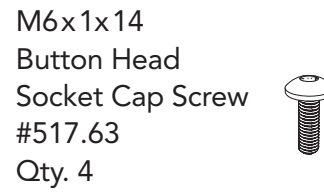
Hardware



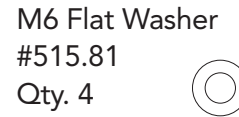
#2 Bow Assembly
#576.44
Qty. 1



#3 Bow
#591.60
Qty. 1



M6x14
Button Head
Socket Cap Screw
#517.63
Qty. 4

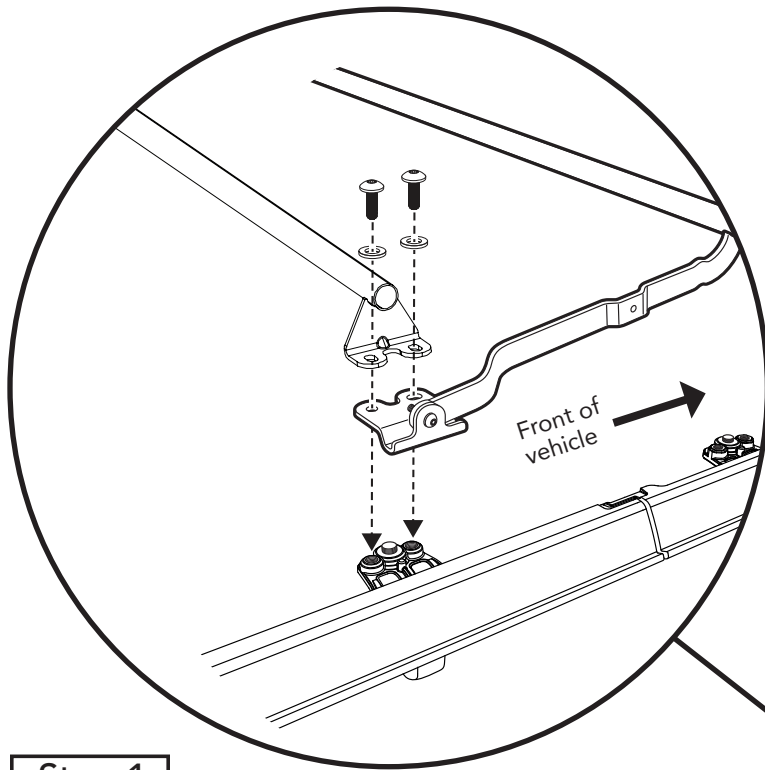


M6 Flat Washer
#515.81
Qty. 4

Tools

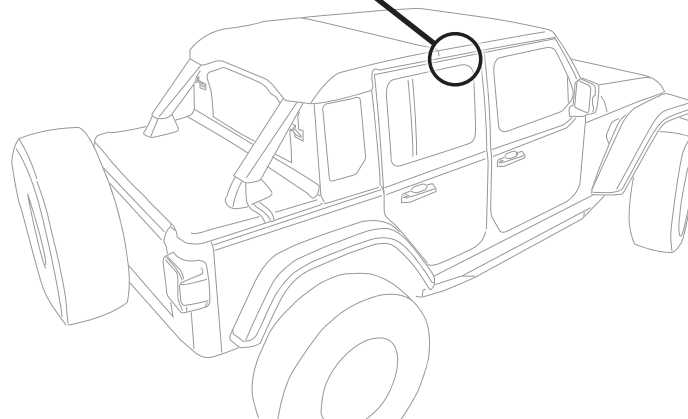


4mm Allen
Wrench



Step 1

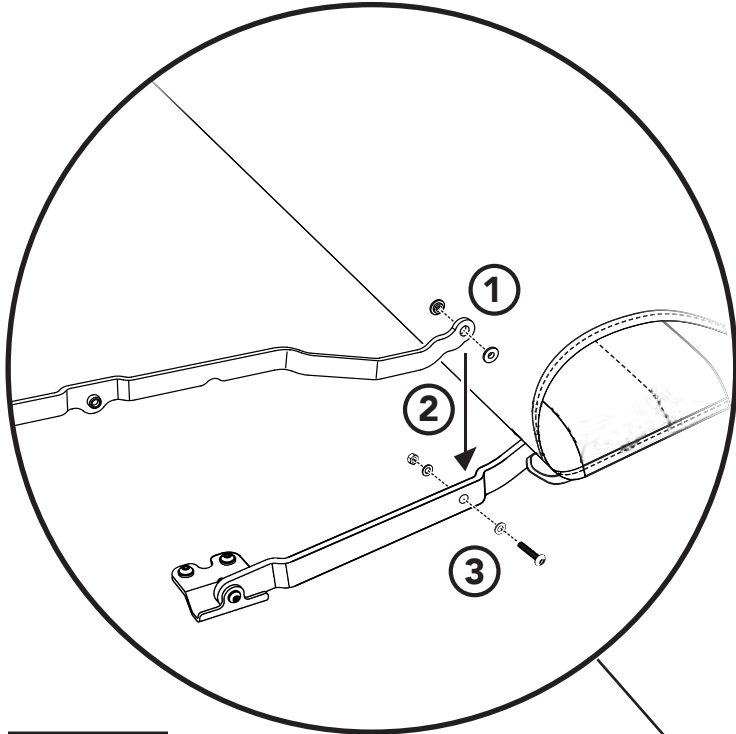
Attach the #2 Bow Assembly and the #3 Bow Assembly #591.60 to the top of the Rear Door Rail front brackets using two (2) M6x14 Button Head Cap Screws #517.63 and two (2) M6 Flat Washers #515.81 on each side of the Jeep.



Step 1

Hardware

Step 2



#2 Bow Link Assembly
#576.15 - Left
Qty. 1

M5x0.8x25
Button Head
Socket Cap Screw
#579.60
Qty. 2



#2 Bow Link Assembly
#576.16 - Right
Qty. 1

Plastic Bushing
#473.40
Qty. 4

M5 Nylon
Lock Nut
#526.76
Qty. 2

M5 Flat Washer
#565.90
Qty. 4

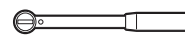
Tools

3mm Allen
Wrench



8mm
Wrench

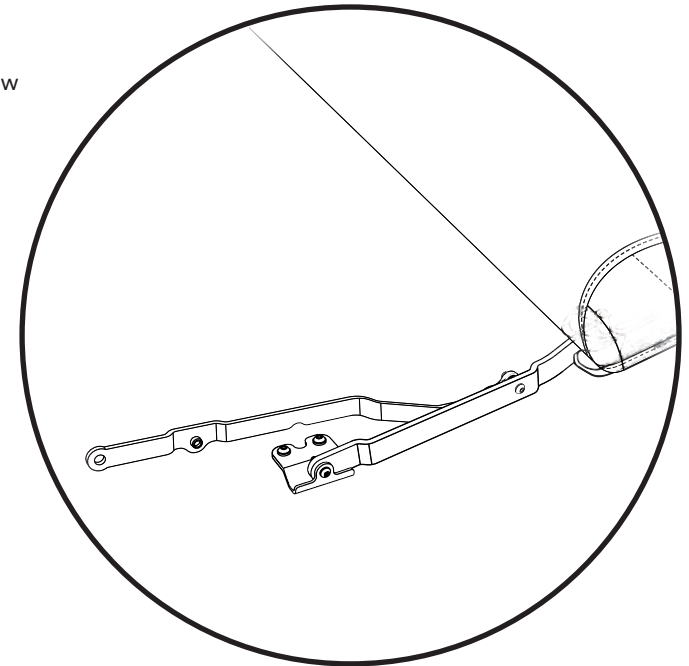
- OR -



Socket
Wrench



8mm
Socket



Step 1

Attach the Bow Link Assemblies #576.15 (left) and #576.16 (right) to the Side Bow.

① Place a Plastic Bushing #473.40 on either side of the Bow Link with the larger hole.

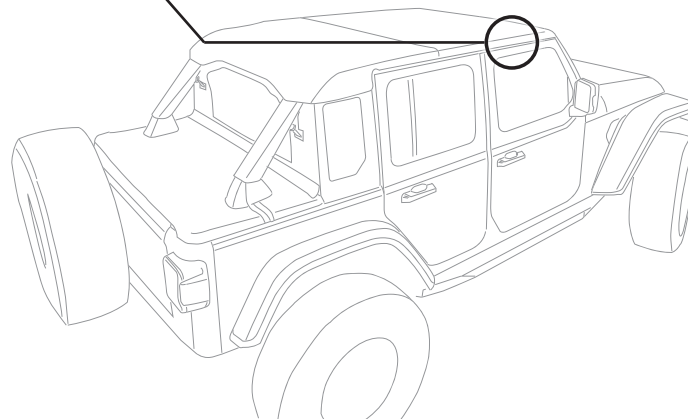
② Align the Bow Link with Bushings with the hole in the Side Bow.

③ Secure the Bow link with one (1) M5x0.8x25 Button Head Socket Cap Screw #579.60, two (2) M5 Flat Washers #565.90, and one (1) M5 Nylon Lock Nut #526.76.

Attach a Bow Link Assembly to each Side Bow.

Step 2

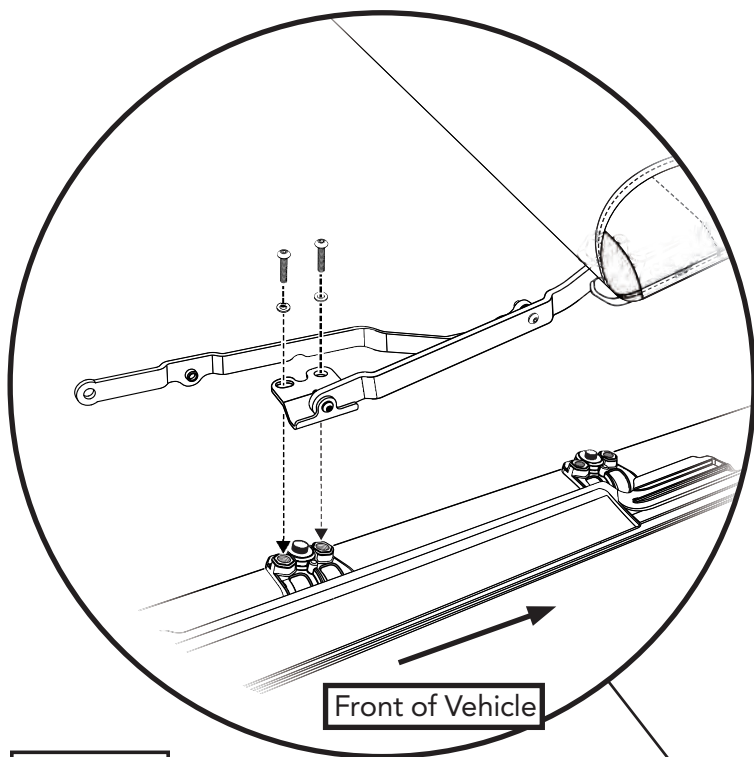
Header/Deck and Side Bow Assembly is now ready to install on the vehicle.



Step 1

Hardware

Step 2



M6x14
Button Head
Socket Cap Screw
#517.63
Qty. 4



M6 Flat Washer
#515.81
Qty. 4



M5x0.8x25
Button Head
Socket Cap Screw
#579.60
Qty. 2



Plastic Bushing
#473.40
Qty. 4



M5 Flat Washer
#565.90
Qty. 4



M5 Nylon
Lock Nut
#526.76
Qty. 2

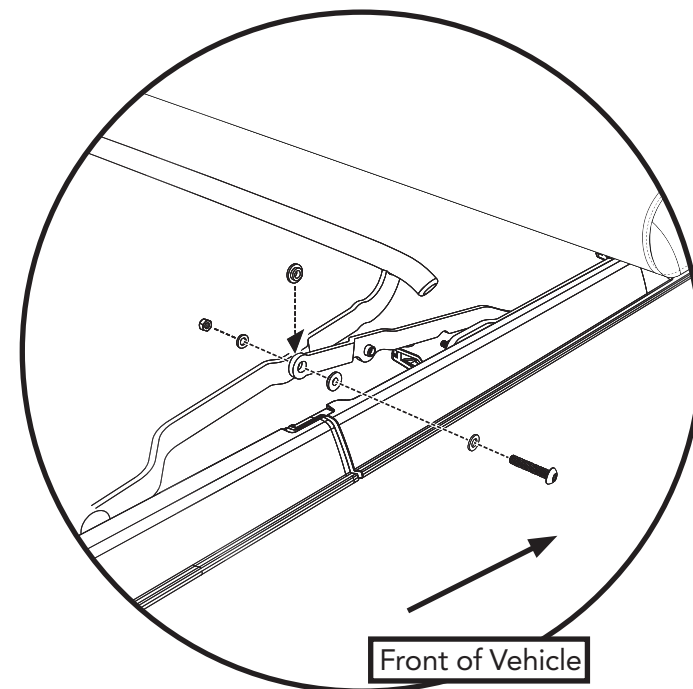
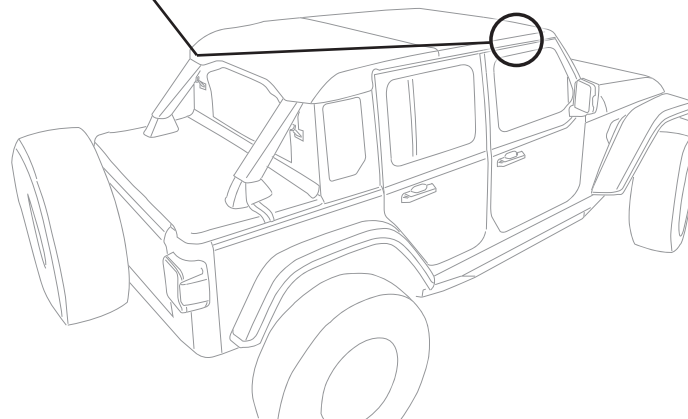


Tools

3 - 4mm Allen
Wrenches



8mm Wrench



Front of Vehicle

Step 2

Attach the Bow Link Assemblies to the #2 Bow.

Align the holes in the Bow Link and the #2 Bow, and place a Plastic Bushing #473.40 in between the Bow Link and the #2 Bow.

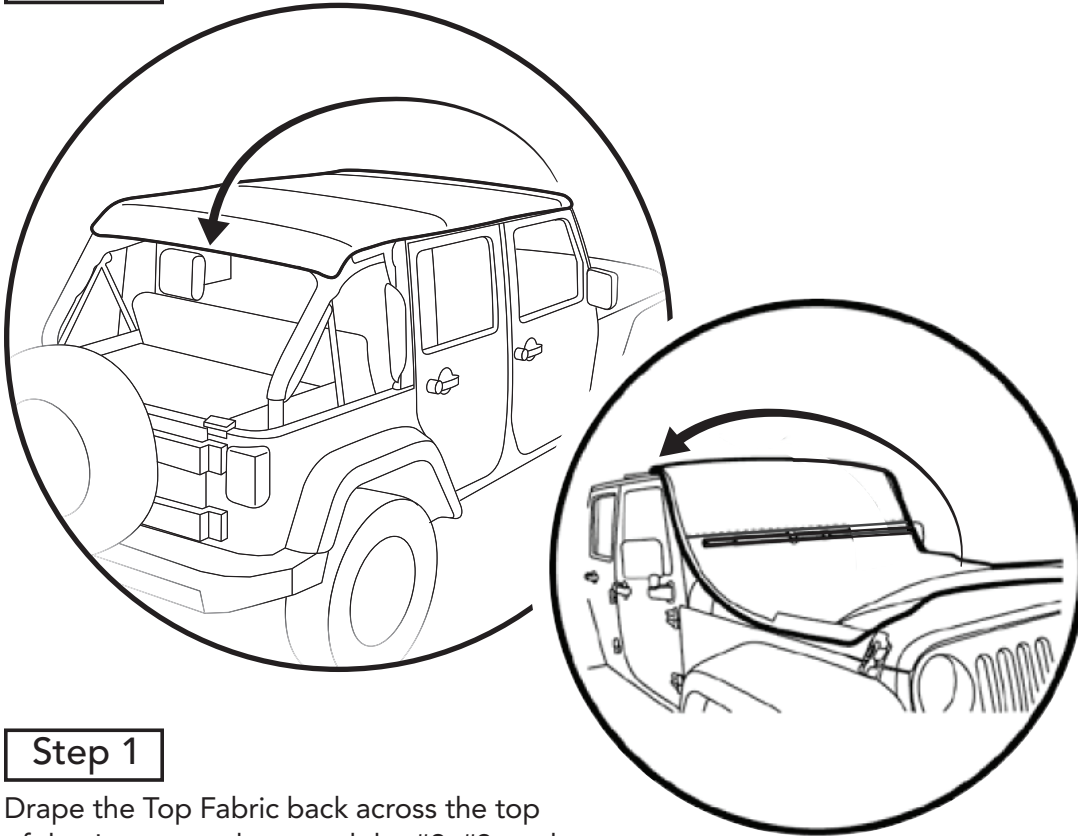
Secure the Bow link with one (1) M5x0.8x25 Button Head Socket Cap Screw #579.60, two (2) M5 Flat Washers #565.90, and one (1) M5 Nylon Lock Nut #526.76. Attach a Bow Link to each Side Bow.

Step 1

Lift the Header/Deck-Side Bow Assembly onto the top of the Jeep, resting the Header on top of the Jeep windshield header.

Attach the #Header/Deck/Side Bow Assembly to the top of the Front Door Rail rear brackets. Secure the Side Bow to the top of the brackets using two (2) M6x14 Button Head Cap Screws #517.63 and two (2) M6 Flat Washers #515.81 on each side of the vehicle.

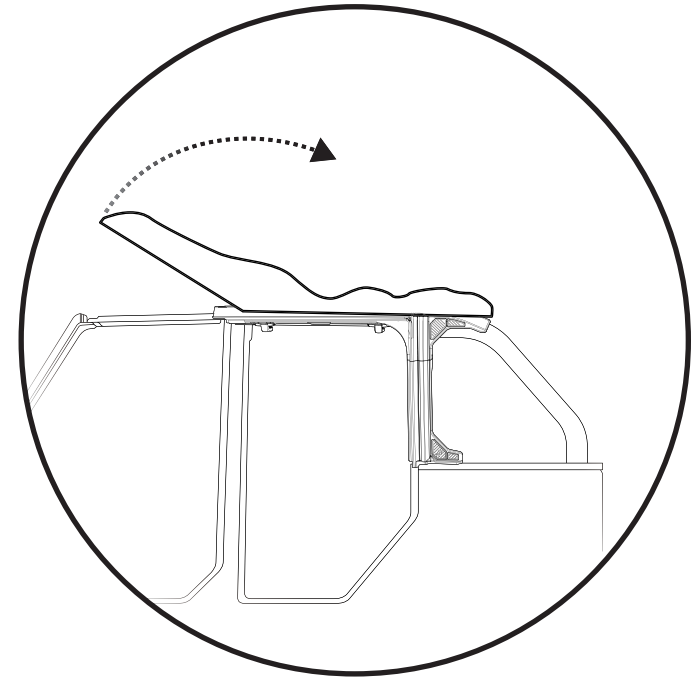
Step 1



Step 1

Drape the Top Fabric back across the top of the Jeep sport bars, and the #2, #3, and #4 Bows.

Step 2

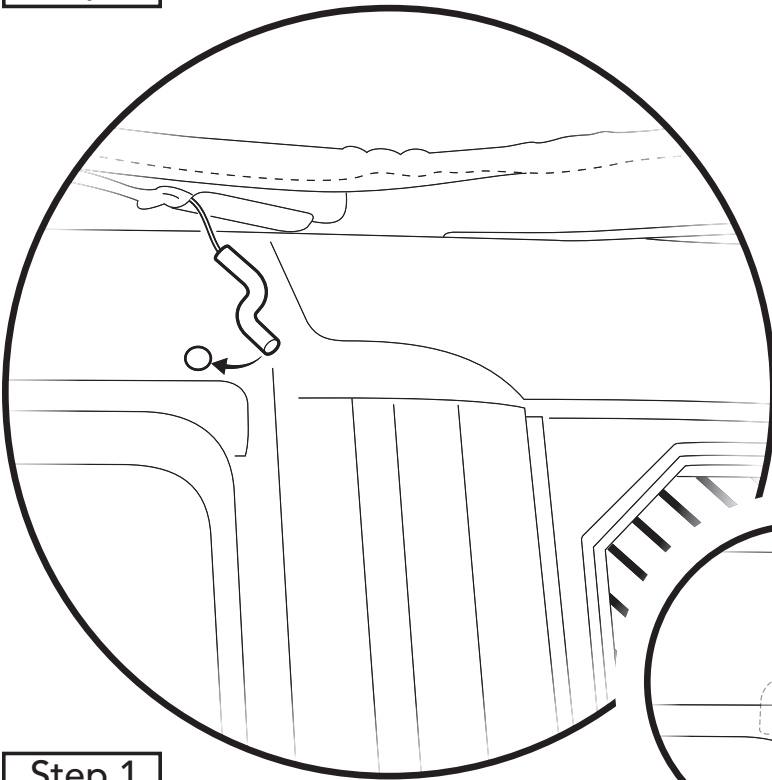


Step 2

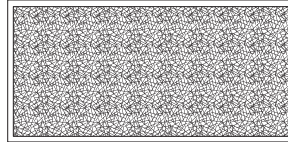
Open the Sunrider.



Step 1

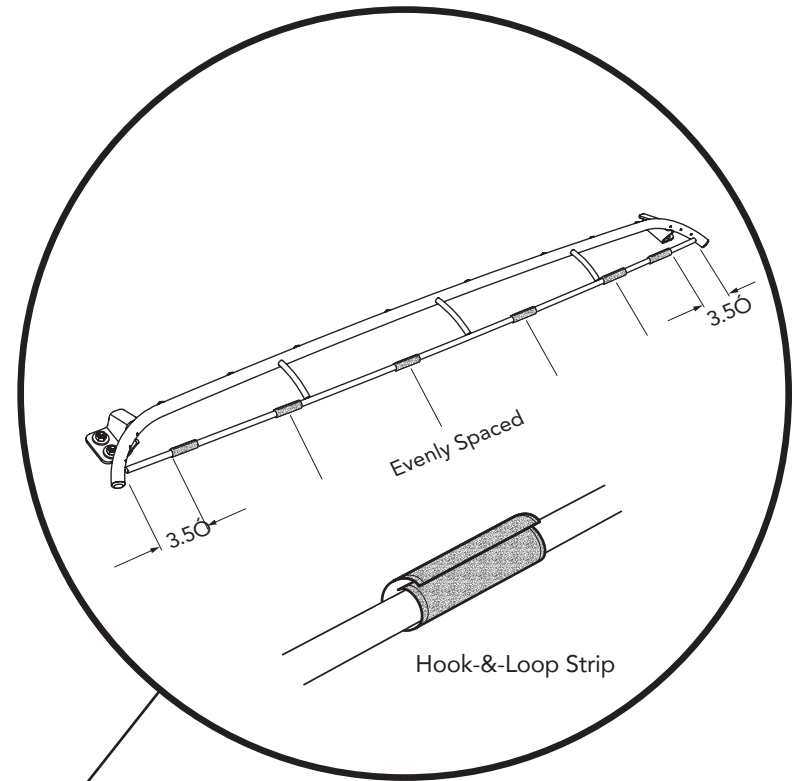


Hardware



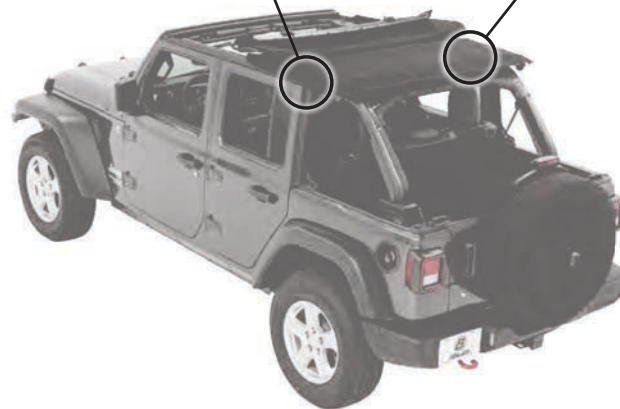
2.5"x2" Hook-&-Loop Strip
#592.35
Qty. 6

Step 2



Step 1

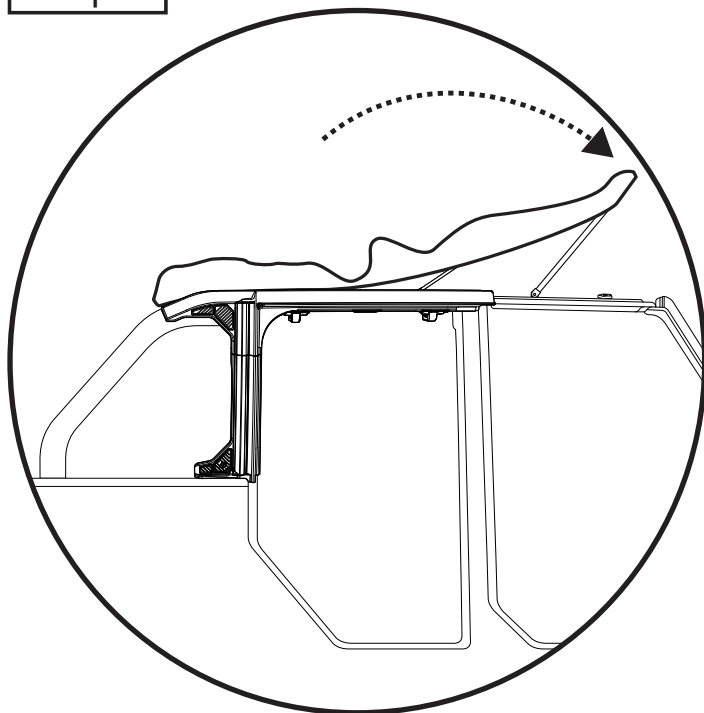
Locate the Z-Clips, which extend out from the edge of the top fabric just above the Rear Door Rail on each side of the Jeep. Attach the Z-Clips to the Rear Door Rails by inserting the end of the clip into the hole in each Rear Door Rail.



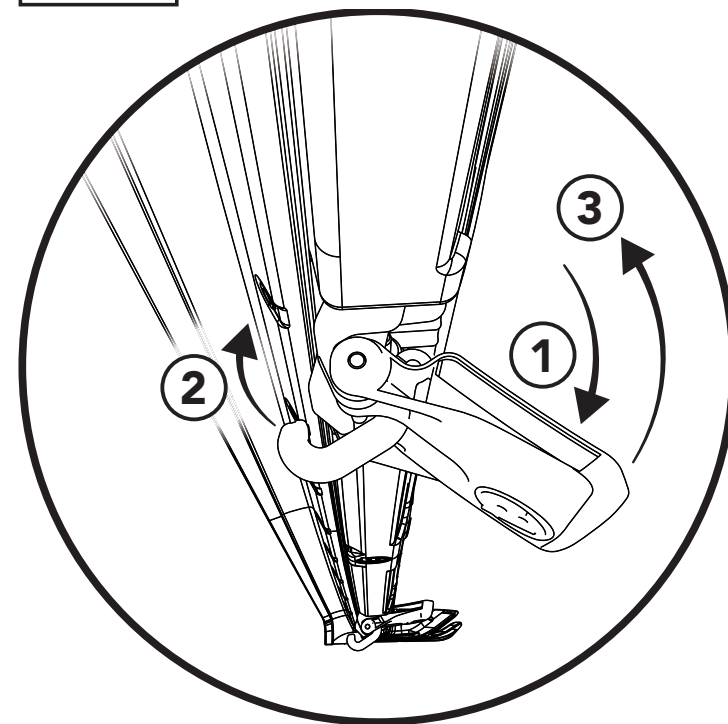
Step 2

Attach the six (6) Hook-&-Loop Strips #592.35 to the #5 Bow as shown above. Wrap the Hook-&-Loop Strips around the cross-bars of the #5 Bow attaching one side of each strip to the opposite side. Make sure that the "hook" side ("scratchy side") of each wrapped strip is on the outside, so that it will adhere to the "loop" strip on the underside of the top fabric.

Step 1



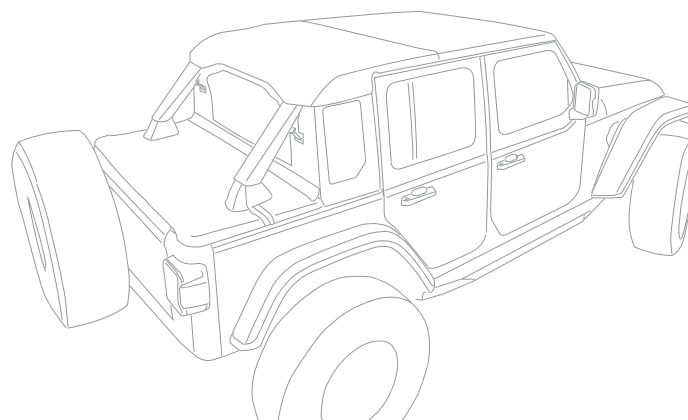
Step 2



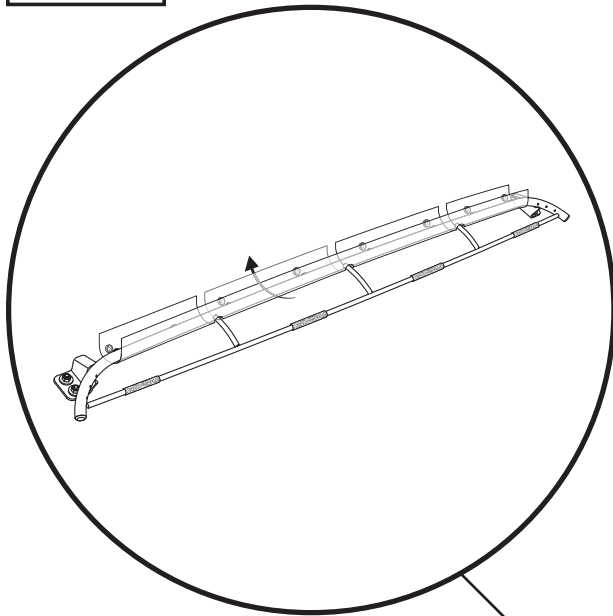
Steps 1 & 2

Fold the Sunrider closed and secure both latches to the vehicle's windshield header.

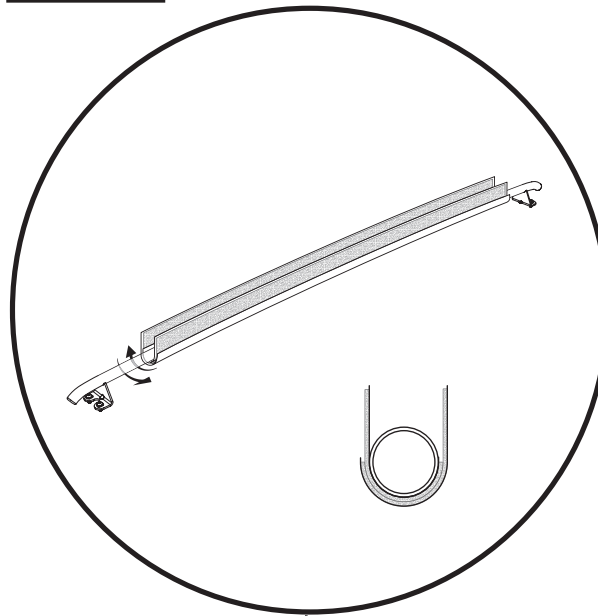
- ① Pivot the latch handle down;
- ② Engage the hook;
- ③ Pivot the latch handle back up.



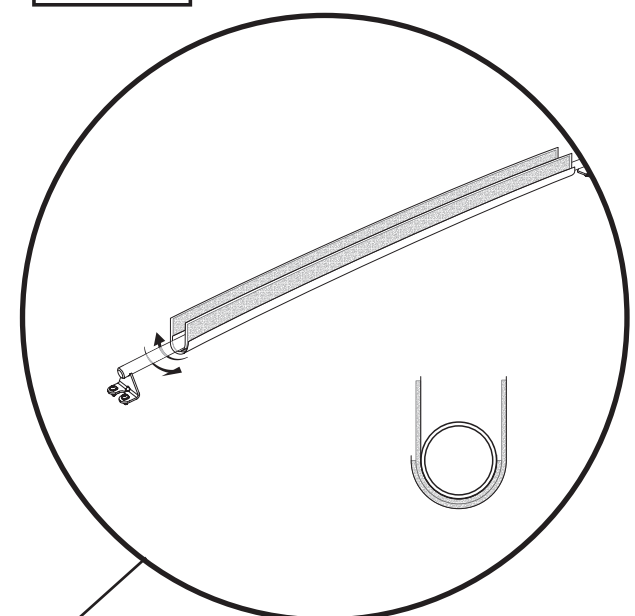
Step 1



Step 2



Step 3



Step 1

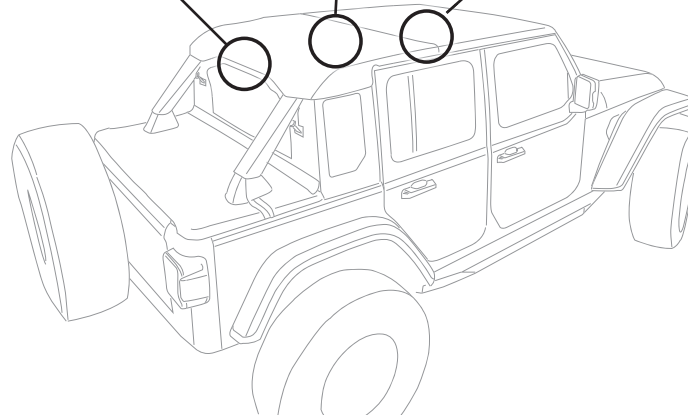
Locate the four flaps sewn to the inside of the fabric top just above the #5 Bow. Wrap these flaps around the #5 Bow from back-to-front, and snap to the snaps on the front side of the #5 Bow.

Step 2

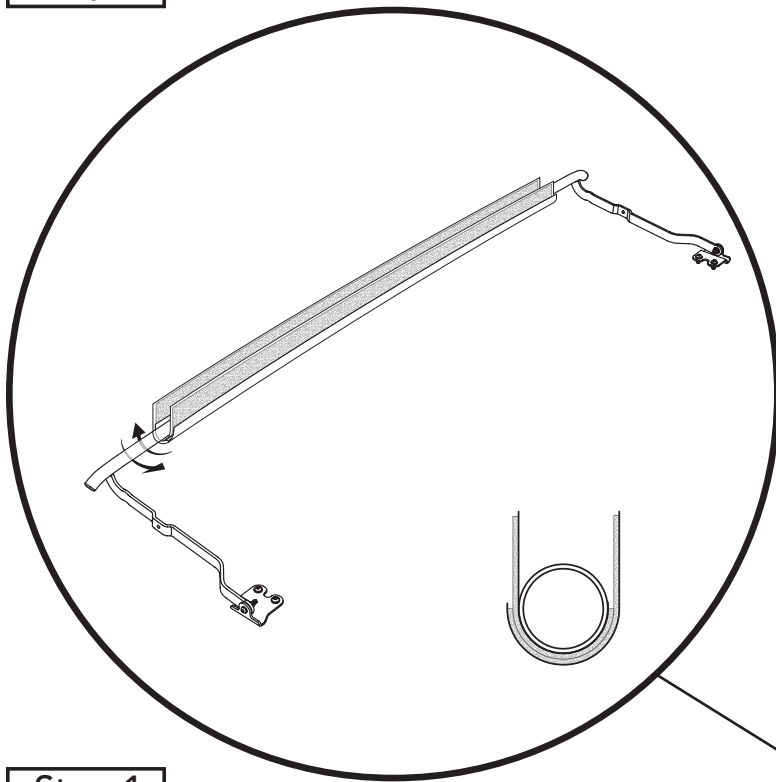
Locate the two fabric flaps sewn to the inside of the fabric top just above the #4 Bow. Wrap these flaps around the #4 Bow so that the Hook side of one flap attaches to the Loop side of the other flap.

Step 3

Locate the two fabric flaps sewn to the inside of the fabric top just above the #3 Bow. Wrap these flaps around the #3 Bow so that the Hook side of one flap attaches to the Loop side of the other flap.



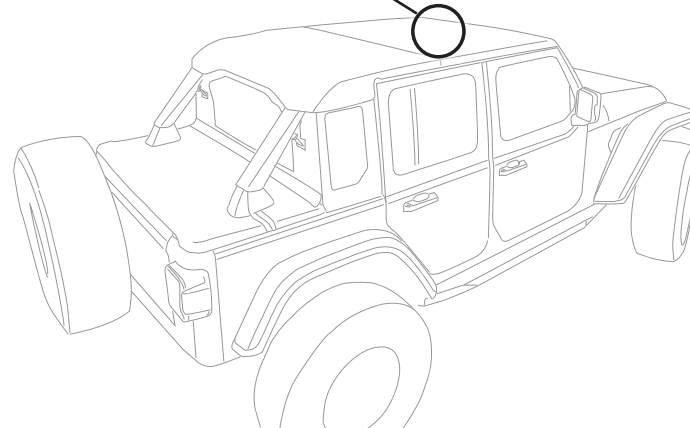
Step 1



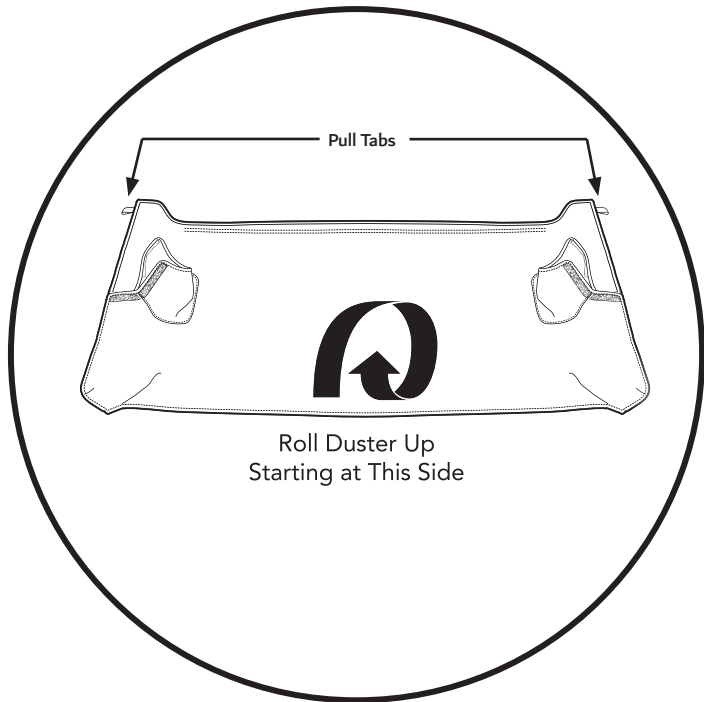
Step 1

Locate the two fabric flaps sewn to the inside of the fabric top just above the #2 Bow.

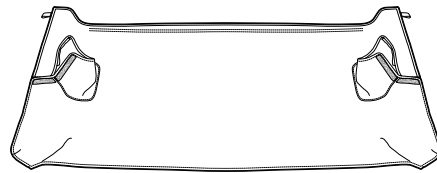
Wrap these flaps around the #2 Bow so that the Hook side of one flap attaches to the Loop side of the other flap.



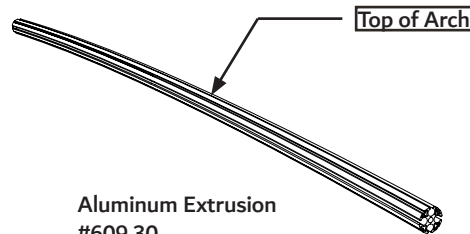
Step 1



Hardware

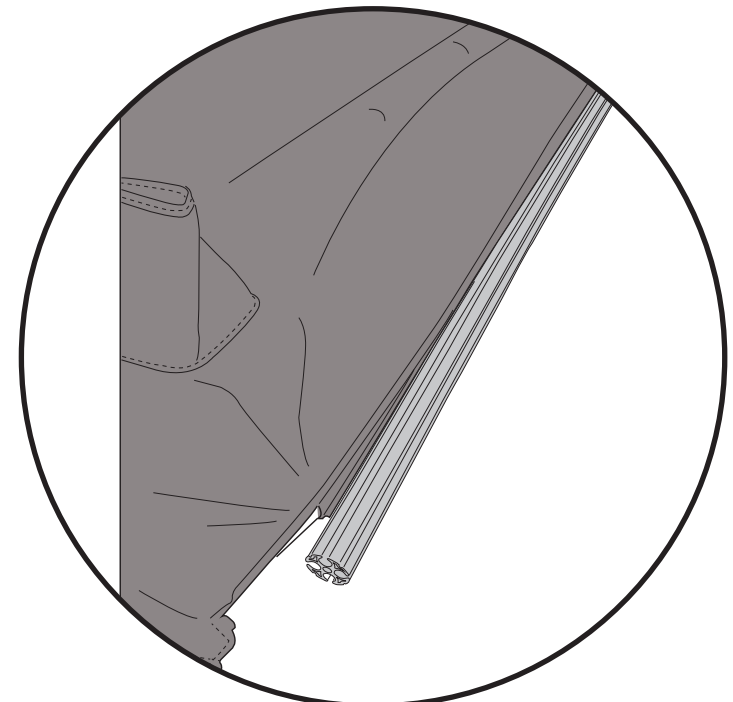


Duster
Qty. 1



Aluminum Extrusion
#609.30
Qty. 1

Step 2



Step 2

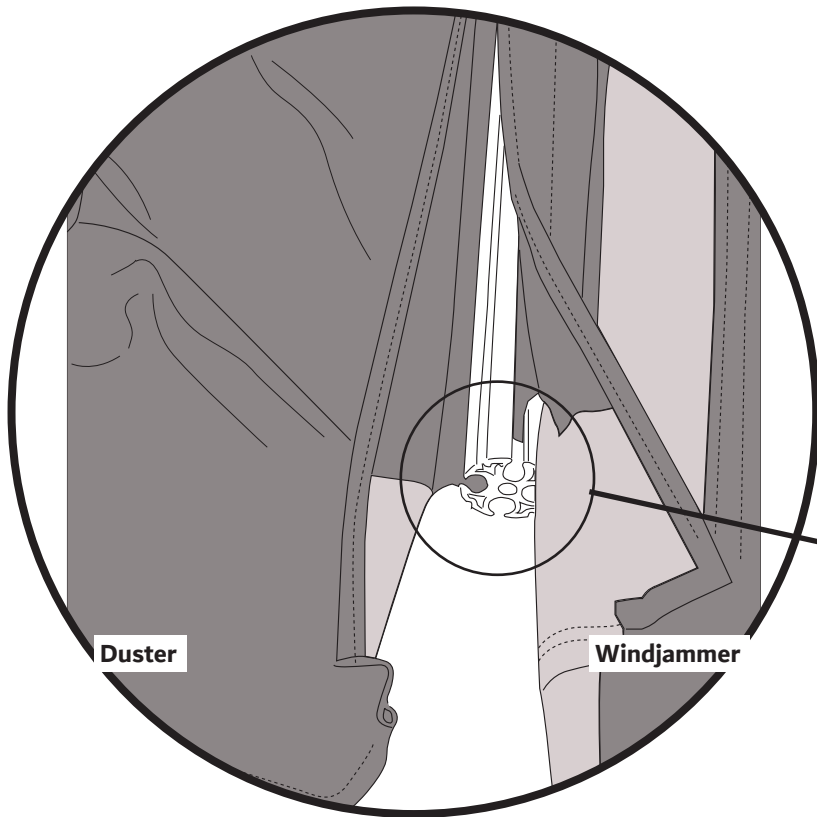
With the Duster loosely rolled up, slide the P-Extrusion along the exposed front edge of the Duster into the top slot of the Extruded Aluminum Bow, using the slot in the Bow that is on top of the arch and facing up.

NOTE: Aluminium Extrusion has an arch. The Duster should be in the top part of the arch.

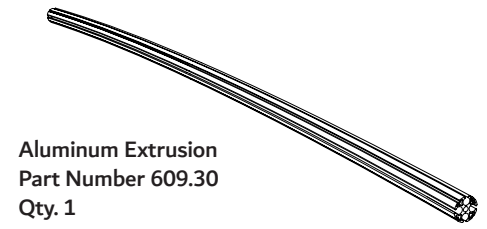
Step 1

Starting on the side of the duster without the pull tabs, roll the Duster up loosely. The side of the Duster with the pull tabs is the front edge.

Step 1

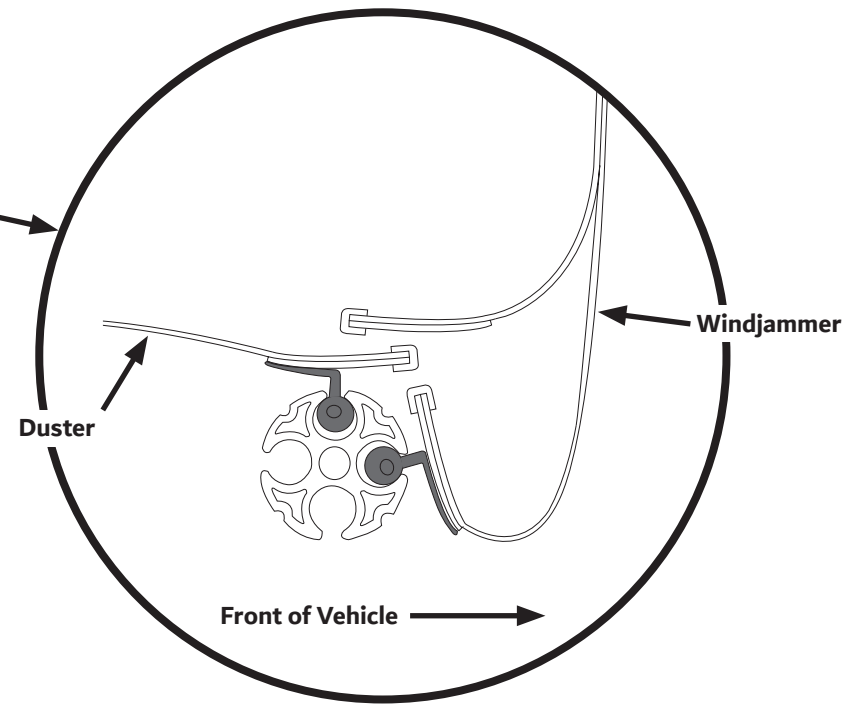


Hardware

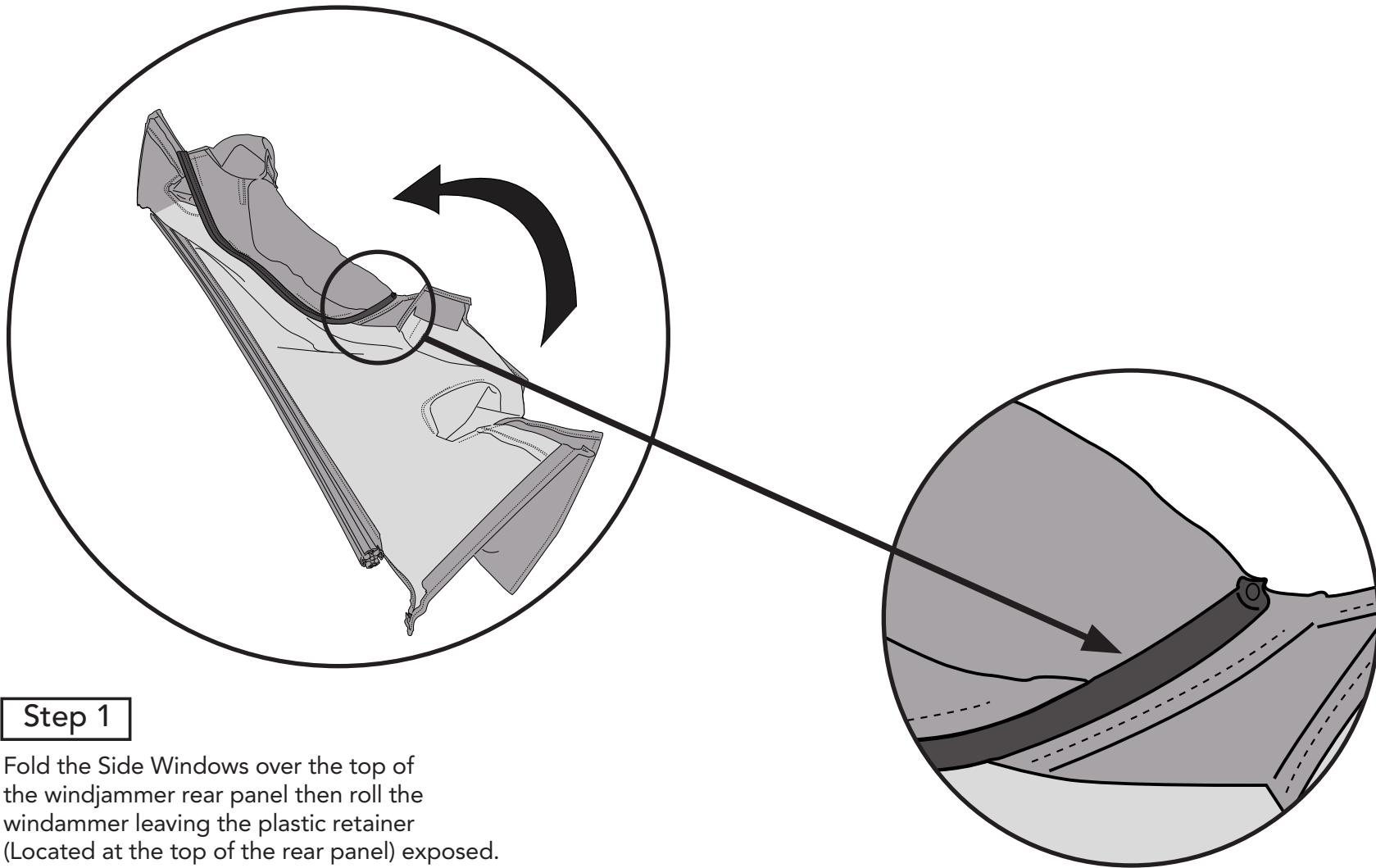


Step 1

Slide the sewn in P-extrusion into the front channel of the Aluminium Extrusion (Part #609.30).



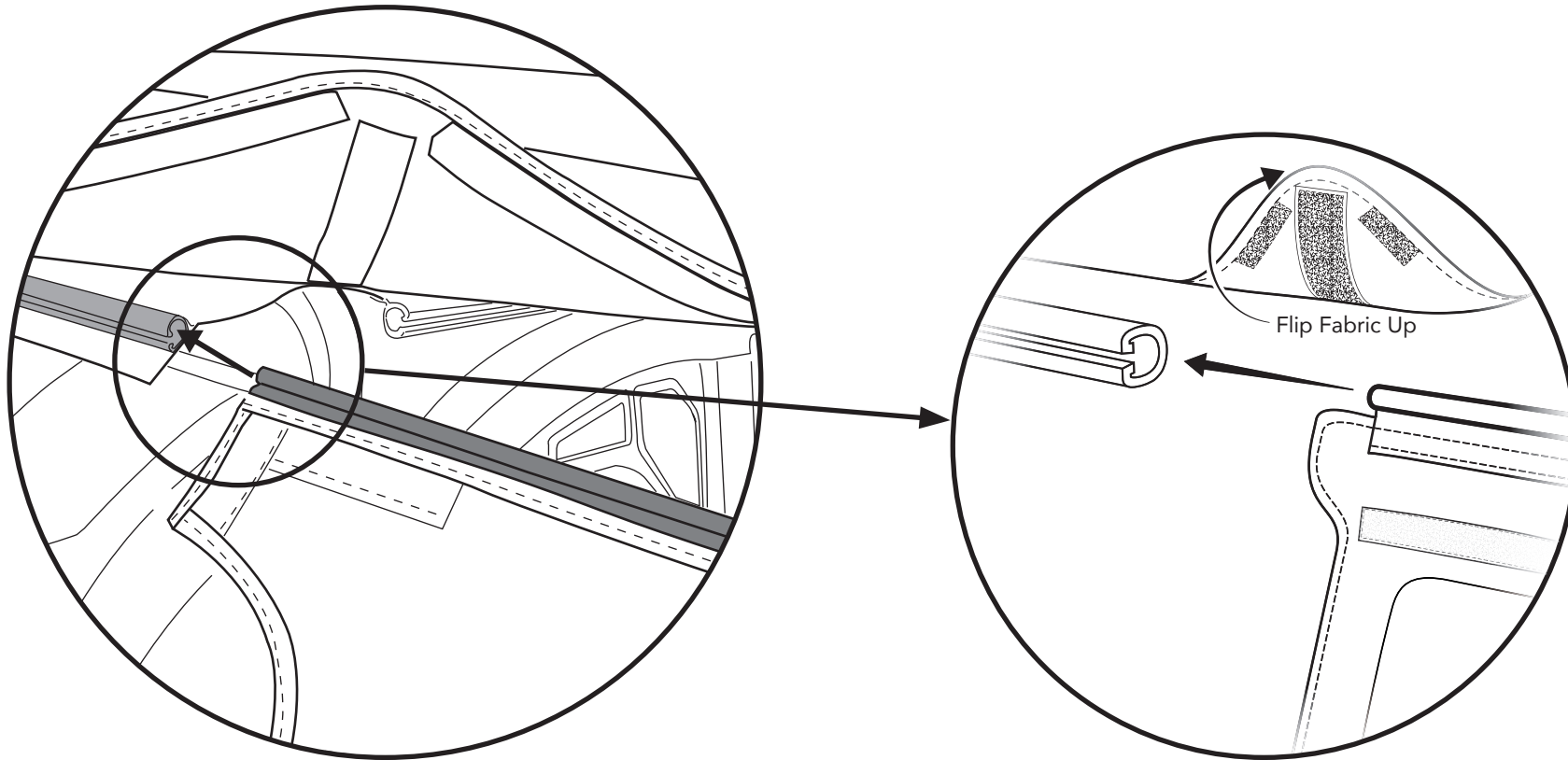
Step 1



Step 1

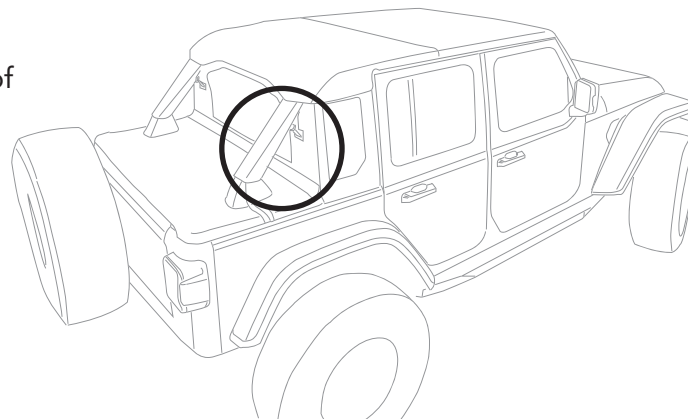
Fold the Side Windows over the top of the windjammer rear panel then roll the windjammer leaving the plastic retainer (Located at the top of the rear panel) exposed.

Step 1

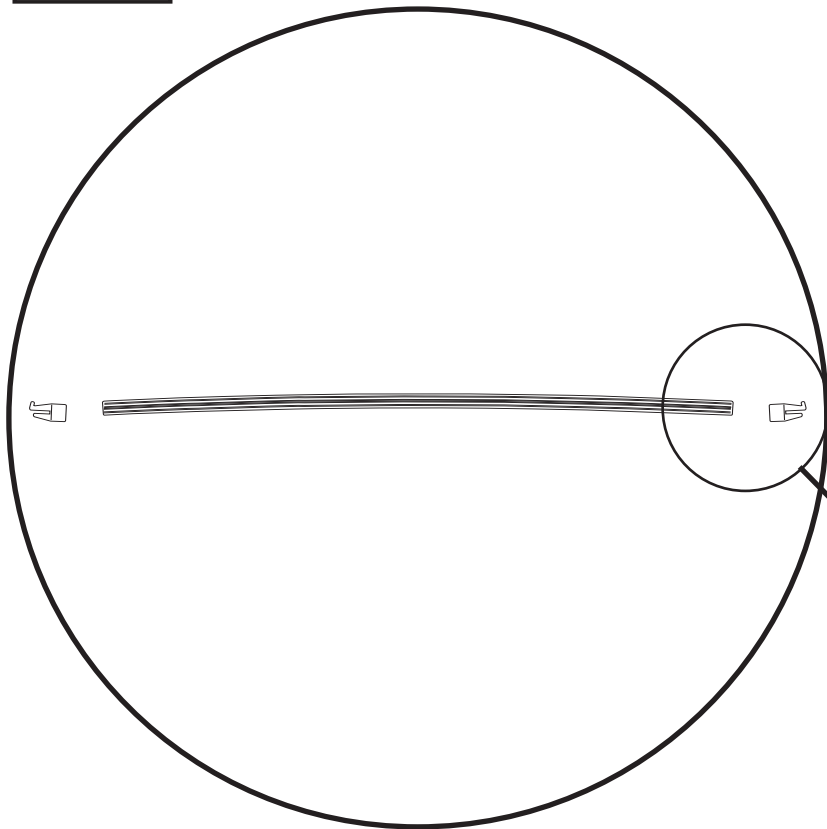


Step 1

Slide the Rubber Retainer located at the top of the Windjammer into the Plastic "C" channel located at the rear of the Top (Under the rear flap) until the Windjammer is centered on the Top.

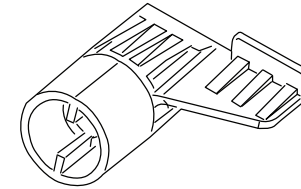


Step 1

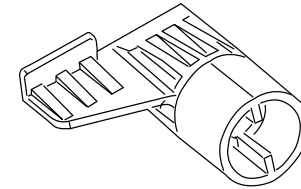


Hardware

Plastic End Cap - Left
Bestop Part #593.71
Qty. 1

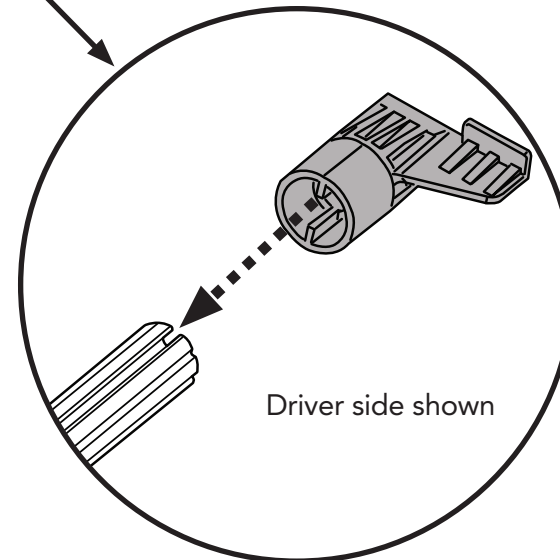


Plastic End Cap - Right
Bestop Part #592.66
Qty. 1



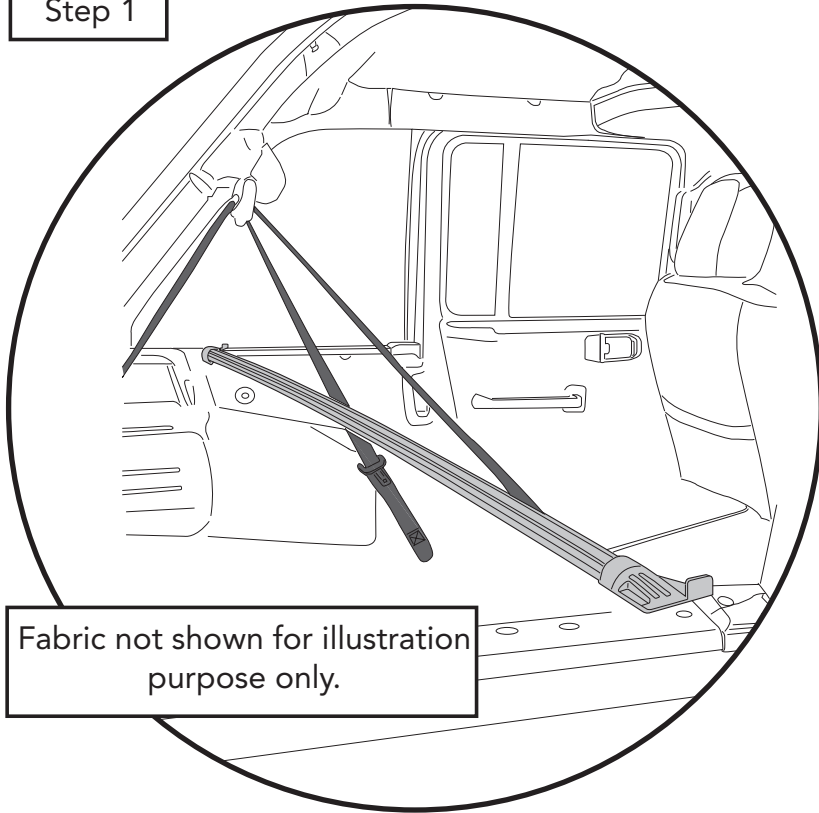
Step 1

Place the Plastic End Caps (Part # 593.71) on the passenger side of the Aluminium Extrusion and (Part # 592.66) on the driver side. The internal ribs inside the round opening of each end cap will slide into the slots on the top and bottom of the aluminum extrusion.



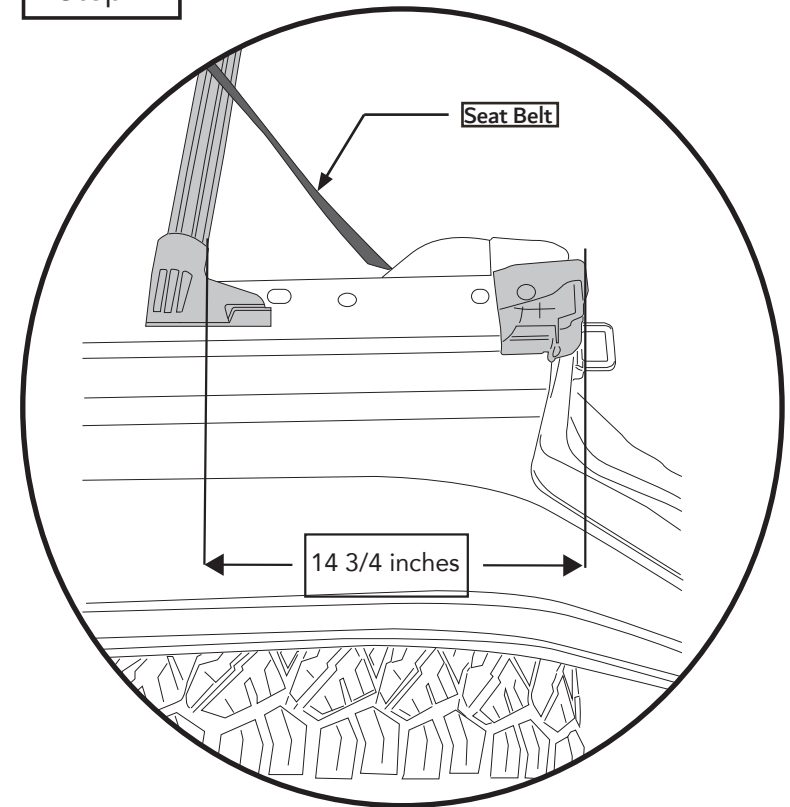
NOTE: The Wing must go towards the front of the vehicle with the Tab pointing up.

Step 1



Fabric not shown for illustration purpose only.

Step 2



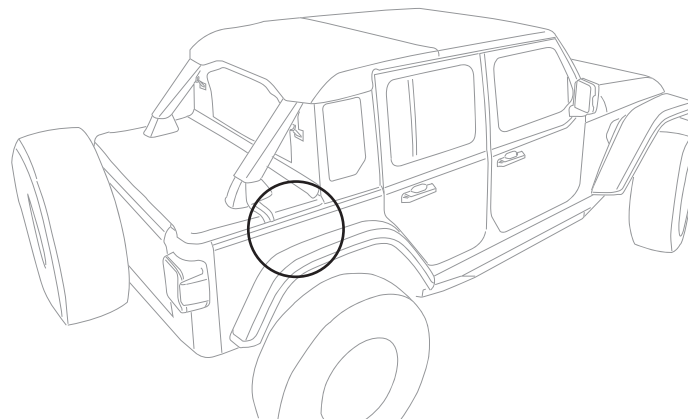
Step 2

Slide the Bow End forward (Driver Side) and Rearward (Passenger Side) until you reach the 14 3/4 inch dimension from the front of the Extrusion to the front edge of the Rubber Seal at the top and rear of the door opening. Place the lower door rail back into position.

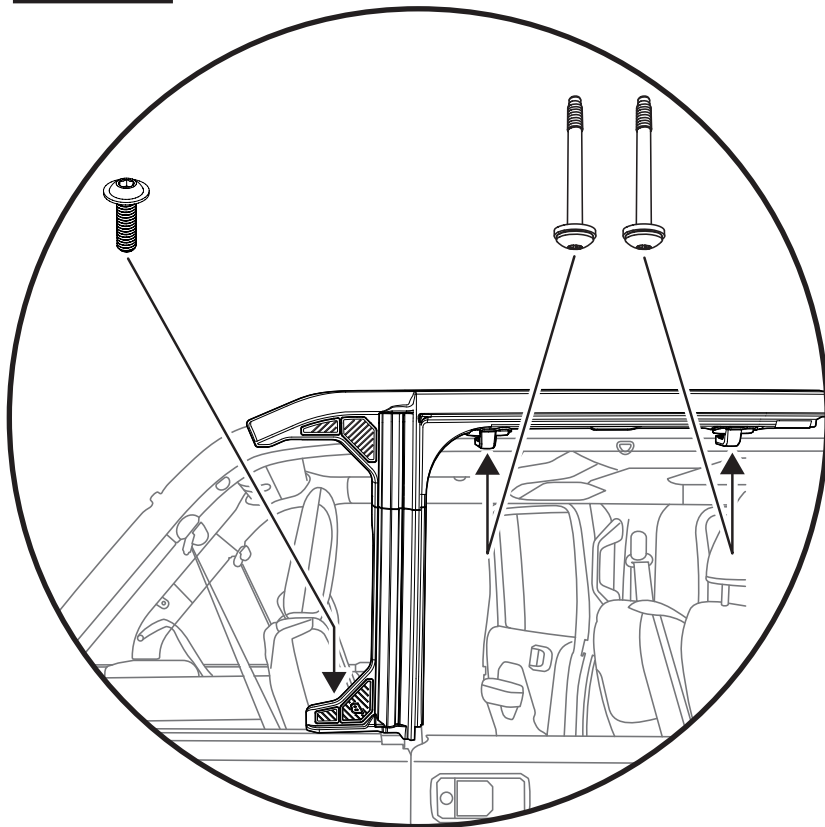
Step 1

Fold both rear seats forward. (Refer to Owners Manual)
Set End Cap as far rearward on the driver side then set the other end cap as far forward as possible on the passenger side. You will have to move the lower leg of the Rear Door Rail away from the body to get the passenger side clip started.

NOTE: You must place the Extrusion and Fabric Assemblies through the Seat Belts to properly install the Duster and the Wind-jammer.



Step 1



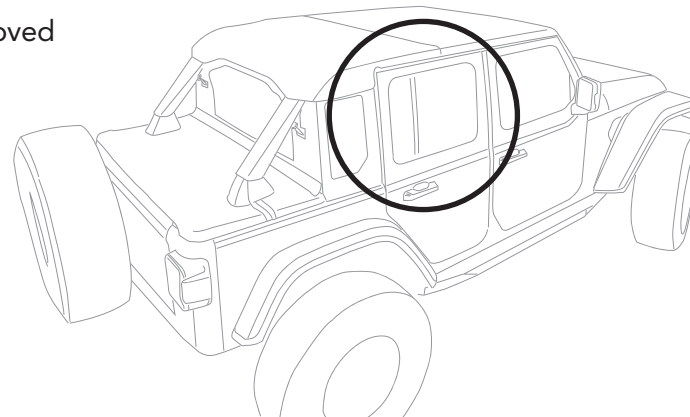
Tools



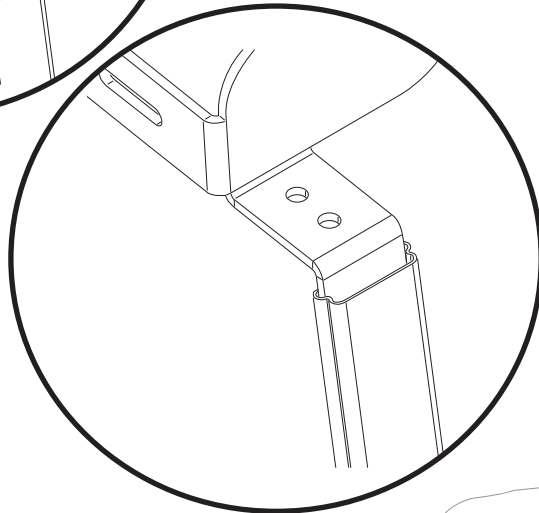
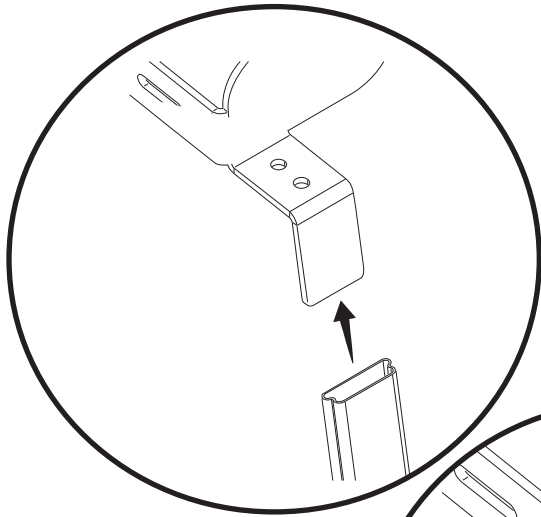
T40 Torx Driver

Step 1

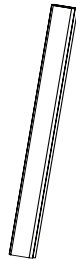
Replace the three (3) fasteners that were removed from the passenger side rear Door Rail.



Step 1

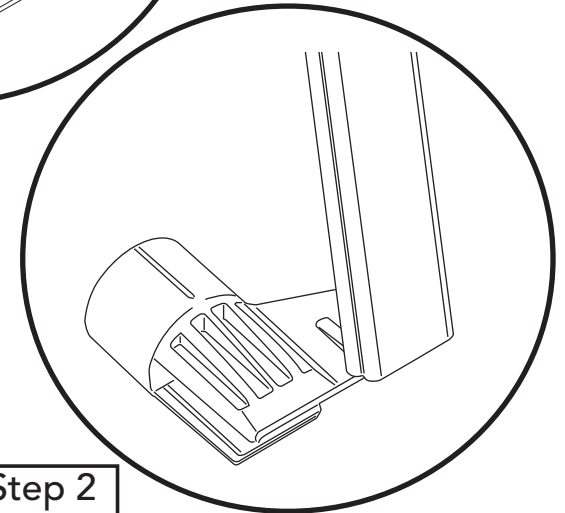
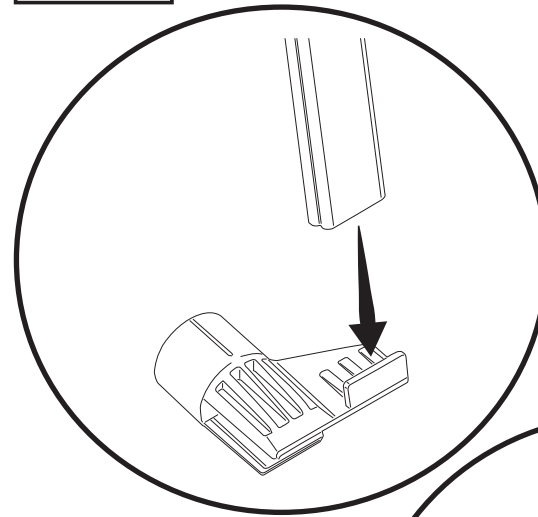


Hardware



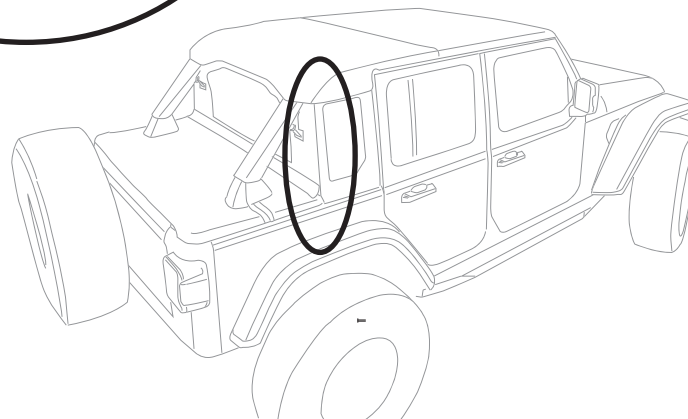
Bow D Pillar
Part #603.93
Qty. 2

Step 2



Step 1

Insert the top of the D Pillar Bow (Part # 603.93) onto the Bow Support Bracket and push it all of the way up.

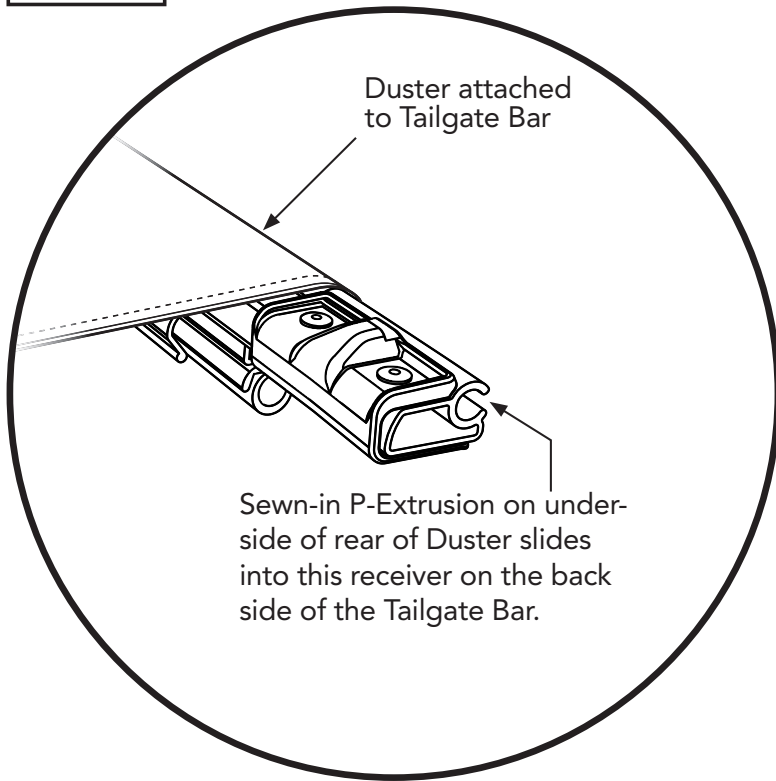


Step 2

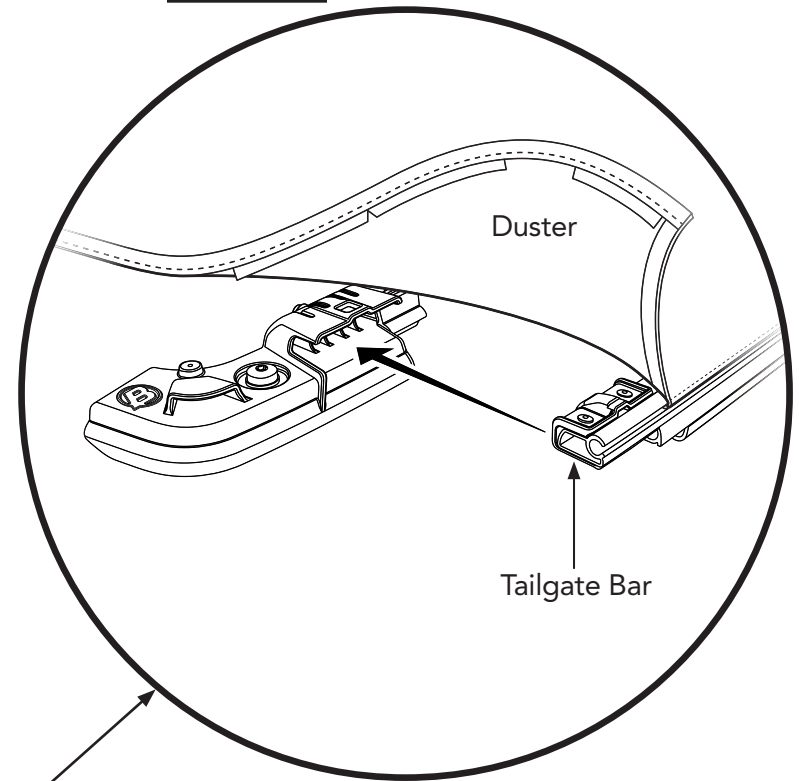
Align the D Pillar Bow with the tab on the End Cap then pull the D Pillar bow down onto the tab.

Repeat the steps on the left side of the vehicle.

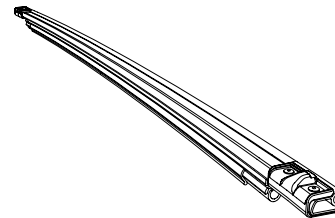
Step 1



Step 2

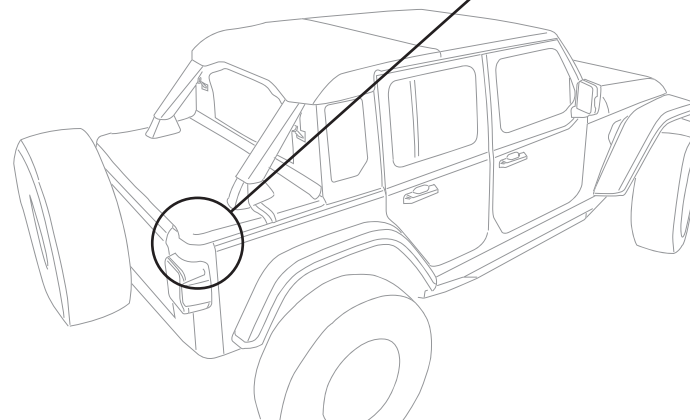


Hardware



Step 1

Attach the Tailgate Bar to the sewn-in P-Extrusion rail on the underside of the rear of the Duster. Slide the Tailgate Bar all the way across.

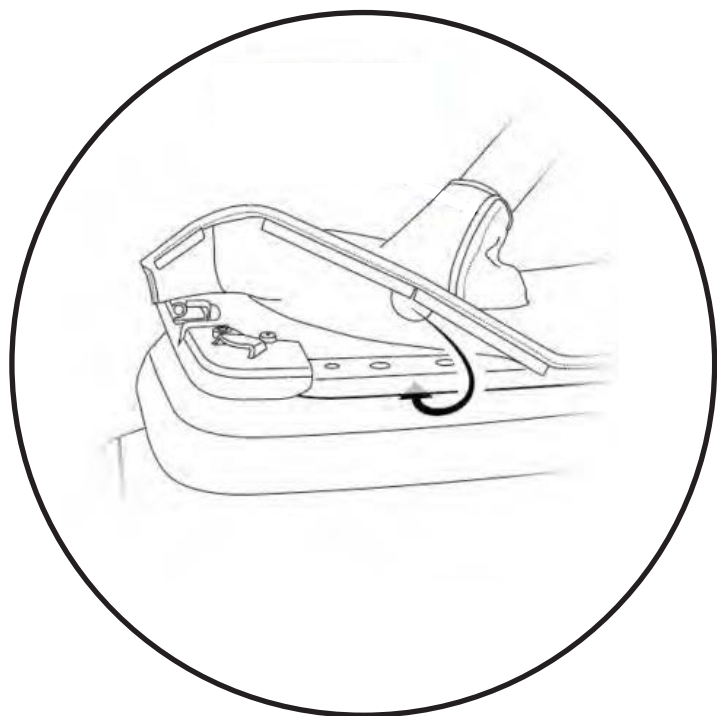


Step 2

Secure the Tailgate Bar with attached Duster to the Tailgate Bar Retainers. Press the Tailgate Bar into the receiver on each Tailgate Bar Retainer.

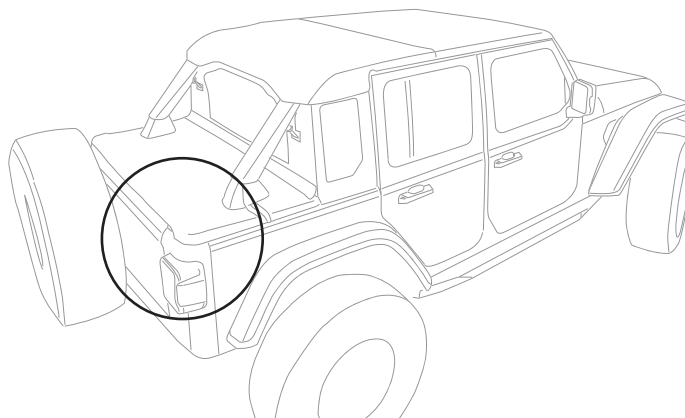
NOTE: The bulb seal on the Tailgate bar must hang below the bar and face rearward for the tailgate to touch it.

Step 1

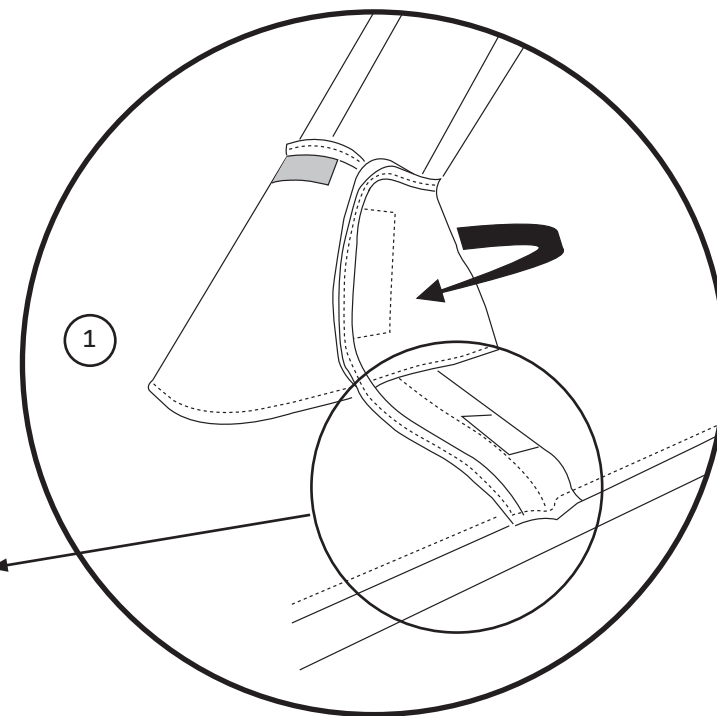


Step 1

Tuck the plastic tabs along the left and right edges of the Duster underneath the Jeep belt rail, working from back to front. Make sure to tuck the straight tabs as well as the semi-circular tabs under the belt rail. Tuck all side plastic tabs under the belt rail, from back to front, and then tuck the plastic tabs at the rear corners under the belt rail.



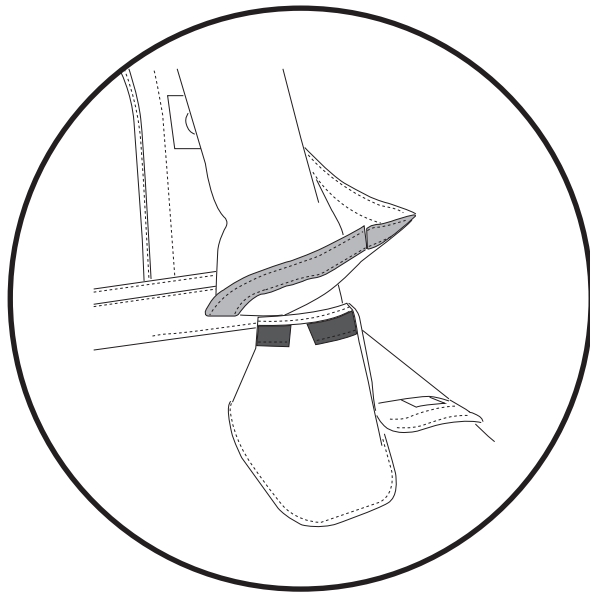
Step 2



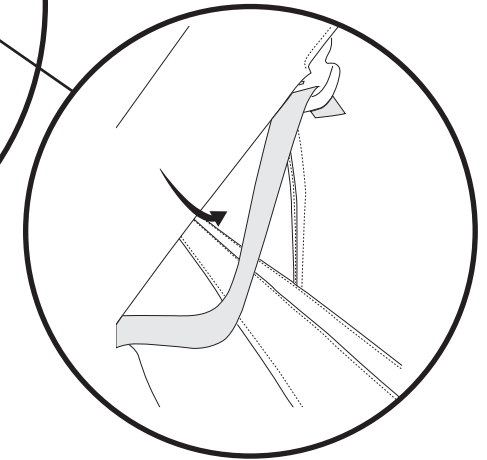
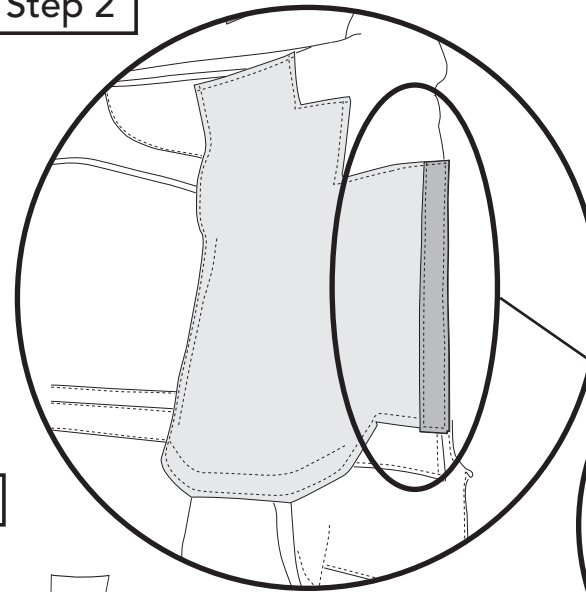
Step 2

- 1 Wrap the hook-&-loop sleeves around the sport bar downtubes, and attach hook-&-loop strips together snugly.
- 2 Press the Hook and Loop together along the side of the Duster cover

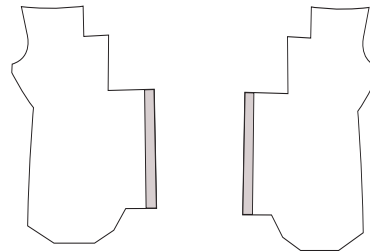
Step 1



Step 2



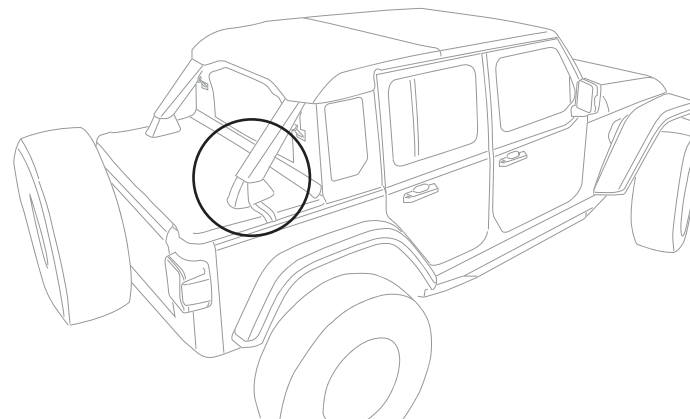
Hardware



Sportbar Sleeve Right Sportbar Sleeve Left

Step 1

Place the Sport Bar sleeve on the Sport bar Leg then attach the loop on the Sleeve to the Hook on the Duster.

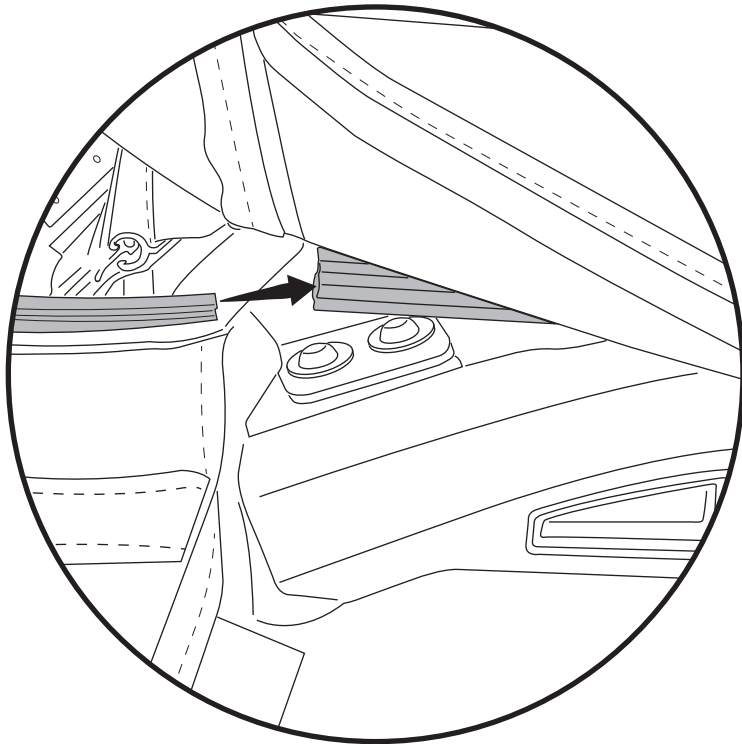


Step 2

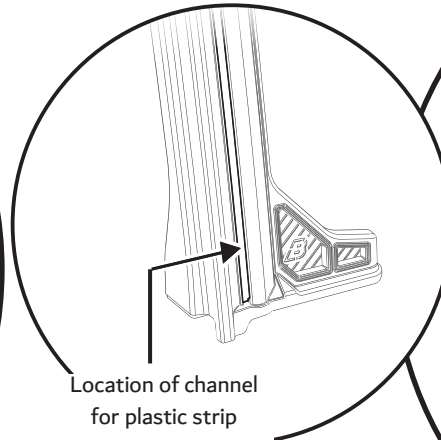
Wrap the flap around the Sport Bar leg between the Sport Bar Leg and the Seat Belt. Repeat this step on the left side of the vehicle.

Caution: Wrapping the flap around the seat belt instead of leaving it loose may cause the seat belt to malfunction and could cause serious injury or Death.

Step 1

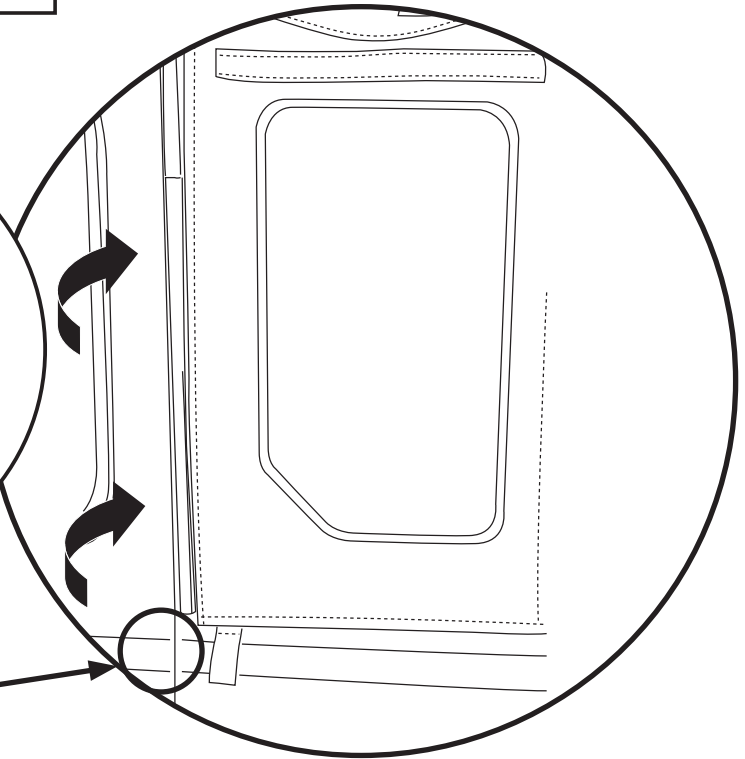


Detail



Location of channel for plastic strip

Step 2



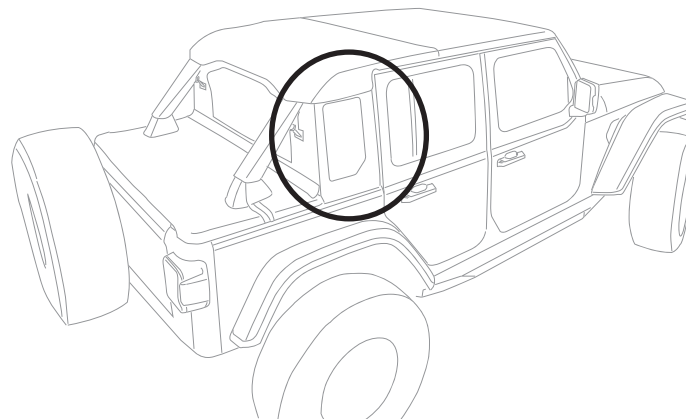
Start at the lower end of the retainer and work your way up.

Step 1

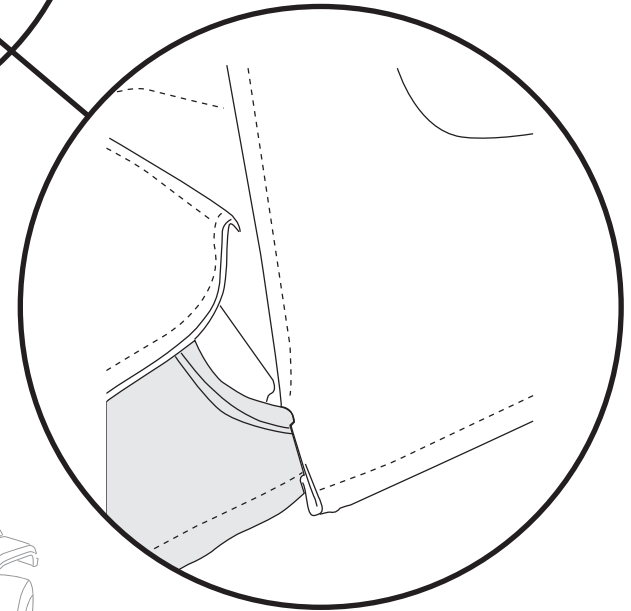
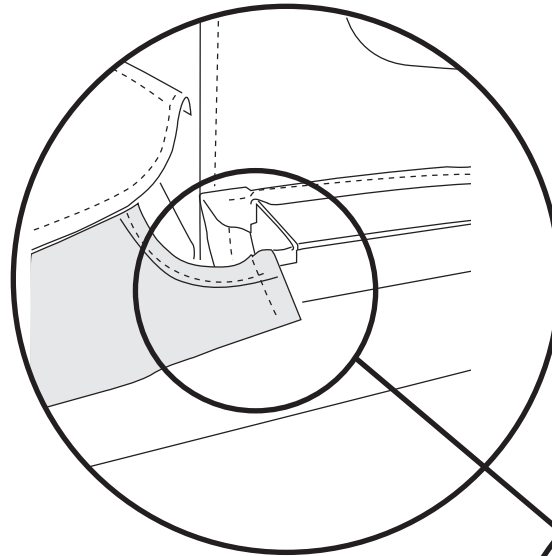
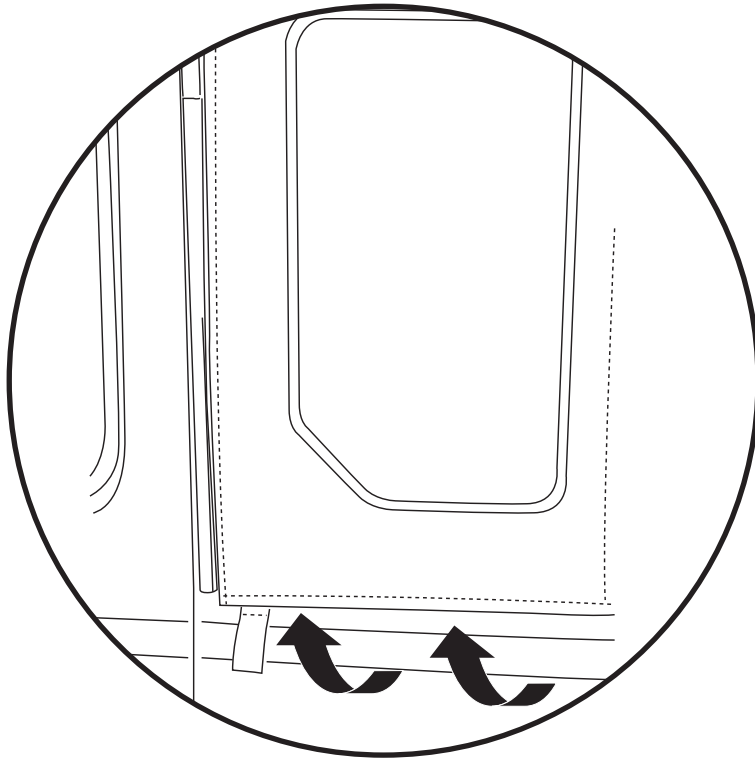
Slide the plastic Retainer located along the top of the side panel into the "C" channel located on the top.

Step 2

Locate the the sewn-in plastic strip along the front edge of the left side window. Tuck this plastic strip into the vertical channel along the outside face of the left Rear Door Rail. See Detail for location of the correct channel.



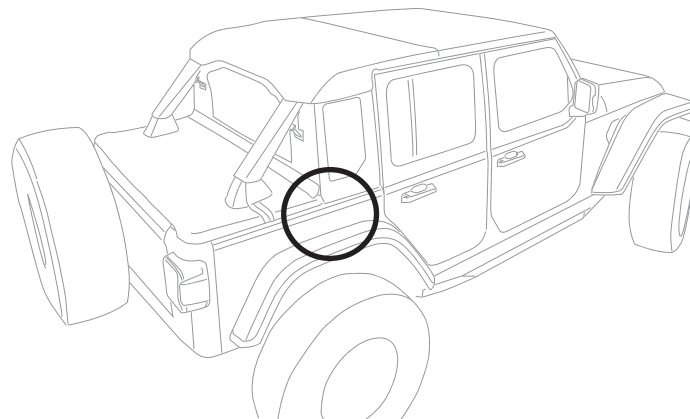
Step 3



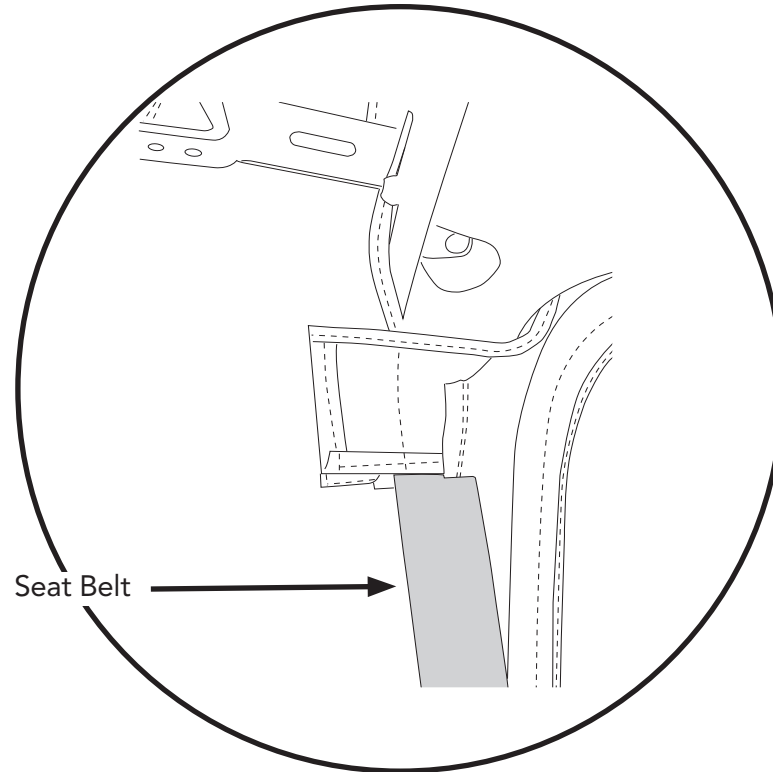
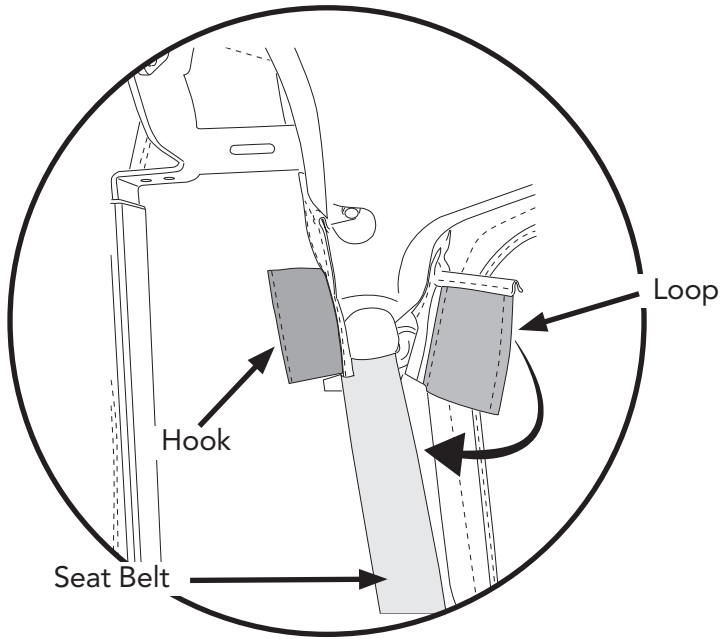
Step 3

Tuck the plastic strip along the bottom edge of the left rear window under the Jeep belt rail, by rolling it up underneath the belt rail, beginning at the rear, and working your way forward. Make sure you tuck the tab on the front edge of the Duster under the bottom edge of the Side Panel.

Repeat on the right side window.



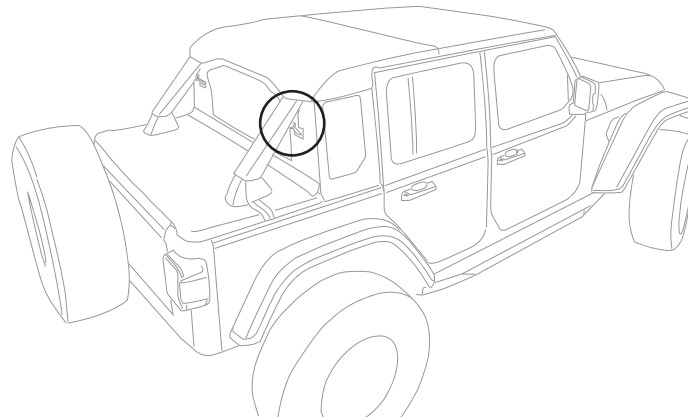
Step 1



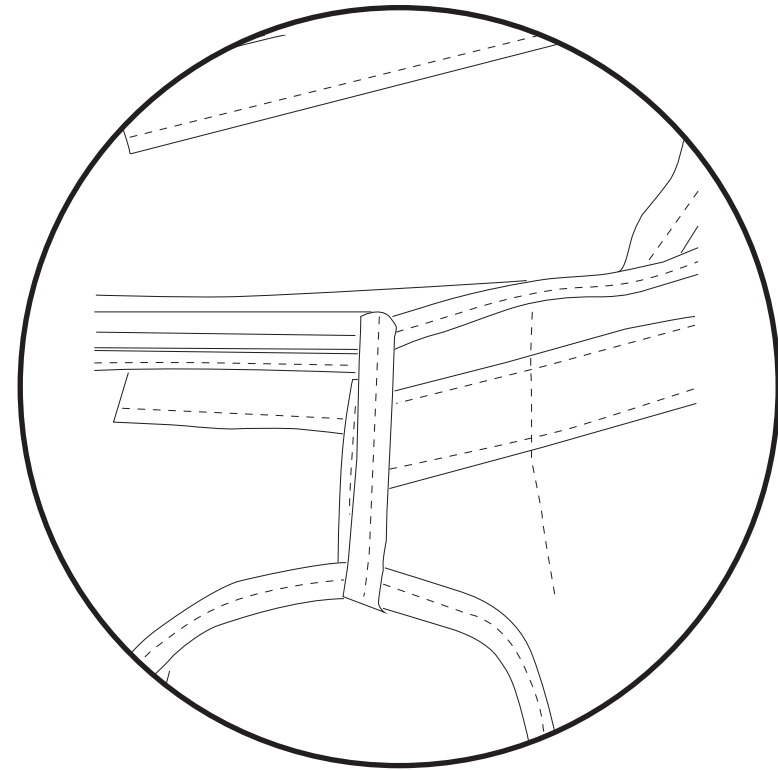
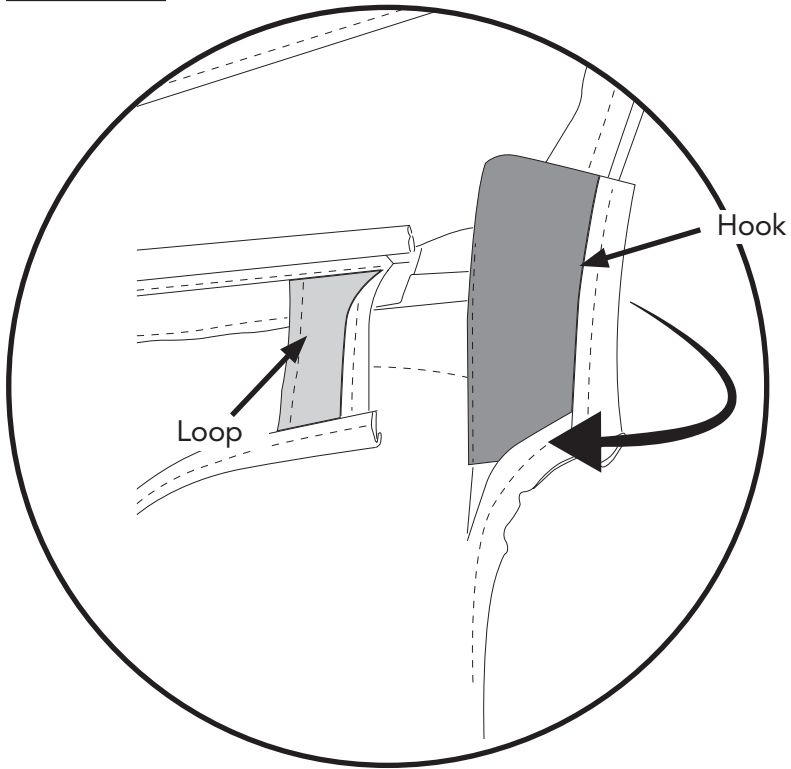
Step 1

From the inside, Fold the Loop patch over and onto the Hook patch.

Repeat on the left side of the vehicle.



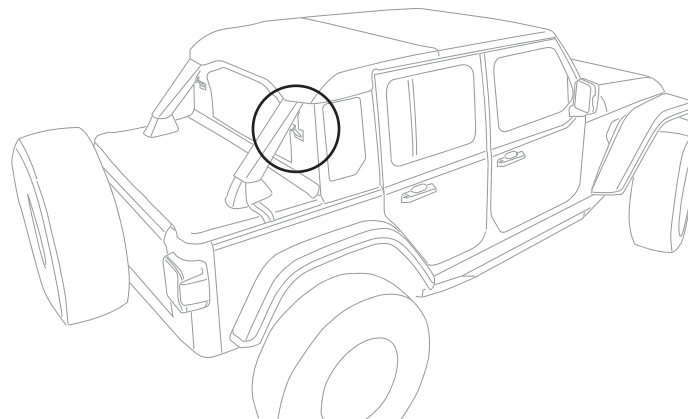
Step 1



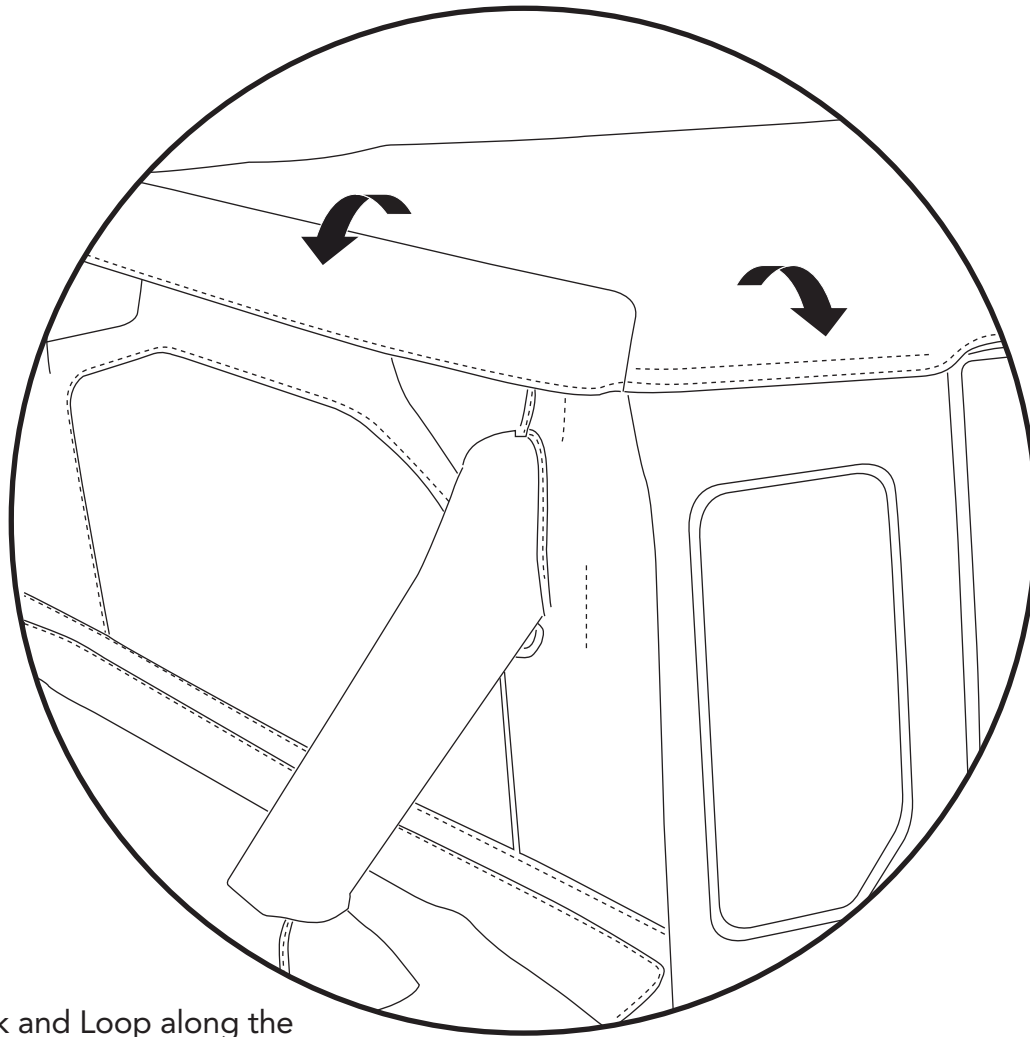
Step 1

Fold the flap with the Hook over the flap that has the Loop Sewn on.

Note: Make sure you wrap flaps around the Sportbar Sleeves.



Step 1



Step 1

Secure the Hook and Loop along the rear edge of the Top to the top edge of the Windjammer.



Warranty Information Trek Top 4-Door

Vehicle Application:
Jeep® Wrangler Unlimited JL 2018-Current
Part Number 53902

WHAT BESTOP WARRANTS

Subject to the terms and conditions of sale, including any terms and conditions set forth by Bestop, Inc. (“Bestop” or “us” or “we”) in our then-current terms of sale on our website (collectively, the “Terms”), Bestop represents and warrants that: the covered products listed in the “Covered Products and Warranty Periods” section (a “Product”) will substantially be free from defects in materials and workmanship for the specified warranty periods set forth in that section.

THE WARRANTY IS LIMITED AND CONDITIONAL

This warranty applies to the original purchaser of the Product only. The warranty is valid only as long as the original retail purchaser owns the vehicle upon which the Product is installed. The warranty expires should the Product be removed from the original vehicle or if the original vehicle is transferred to another owner.

This warranty is not transferable or assignable. The warranty does not apply to Product bought from auction-style or price-bid websites.

THE LIMITED WARRANTY AND STATED REMEDIES ARE SOLE AND EXCLUSIVE AND IN LIEU OF ALL OTHER WARRANTIES AND REMEDIES, AND COMPANY EXPRESSLY DISCLAIMS ALL IMPLIED OR STATUTORY OR OTHER WARRANTIES, INCLUDING WITHOUT LIMITATIONS WARRANTIES OF MERCHANTABILITY, NON-INFRINGEMENT OR FITNESS FOR A PARTICULAR PURPOSE. IN NO EVENT WILL COMPANY BE LIABLE FOR ANY SPECIAL, INCIDENTAL, CONSEQUENTIAL, PUNITIVE, INDIRECT OR EXEMPLARY DAMAGES OF ANY KIND, INCLUDING LOST PROFITS OR REVENUE, HOWEVER CAUSED, WHETHER FOR BREACH OR REPUDIATION OF CONTRACT, TORT, BREACH OF WARRANTY, NEGLIGENCE, OR OTHERWISE, WHETHER OR NOT COMPANY WAS ADVISED OF THE POSSIBILITY OF SUCH LOSS OR DAMAGES.

Some states do not allow exclusion or limitation, so this may not apply to you. This warranty gives you specific legal rights, and you may have other rights which vary from state to state.

EXCLUSIONS TO THE WARRANTY

The Limited Warranty excludes, and Bestop is not liable in any way for any warranty claims, damages, or defects related to:

- Misuse, abuse, accidents, vandalism, negligence, fire, or improper installation or modification, or improper or inadequate maintenance;
- Failure to comply with any Product documentation, Bestop instructions, or applicable law or regulations; use in extreme conditions
- Force Majeure including but not limited to, earthquake, hurricane, tornado, flooding, or other disasters natural or man-made, civil unrest, strikes, declared or undeclared war, or lack of performance by, or discontinued product of, supply chain partners whose products, software, operations or management is beyond the control of Bestop;
- Damage resulting in breakage (including without limitation, spontaneous breakage, accidental breakage or breakage by any other means) of a Product or any component part;
- Damage to vinyl windows due to misuse, or cracking due to varying weather conditions.

YOUR SOLE REMEDY

During the applicable warranty period, Bestop shall, at its option, either repair or replace any Product that it confirms, in its discretion, is non-compliant with the warranties herein. Bestop will not pay for labor charges associated with installation or removal of the Product. Should a specific Product be discontinued, Bestop may, at its option, replace the discontinued Product with a current product or like product.

Please retain your proof of purchase. Original proof of purchase for the Product must accompany any warranty claim. If you have a warranty claim, first you must email Bestop Customer Service at csbestop@bestop.com for instructions. All claims must be emailed to csbestop@bestop.com within 30 days of discovery of a defective Product, but in no event later than thirty days after the end of the applicable Warranty Period (the “Warranty Notice Period”). Warranty claims made after the Warranty Notice Period are null and void and Bestop shall have no responsibility with respect to such claims.

THIS SECTION SETS FORTH BESTOP’S SOLE OBLIGATION & YOUR SOLE REMEDY WITH RESPECT TO ANY DEFECTS OR OTHER PRODUCT ISSUE. ANY PRODUCTS REPLACED UNDER TERMS OF THIS WARRANTY WILL BE COVERED UNDER TERMS & BALANCE OF THE DURATION OF THE ORIGINAL LIMITED WARRANTY FOR SUCH PRODUCT.



Warranty Information Trek Top 4-Door

Vehicle Application:
Jeep® Wrangler Unlimited JL 2018-Current
Part Number 53902

COVERED PRODUCTS AND WARRANTY PERIODS: The warranty time periods are as follows for Products manufactured by Bestop:

BESTOP® LIMITED LIFETIME WARRANTY

Trektop® Pro Twill Fabric Top Sunrider® for Hardtop Twill Fabric Top
Trektop® NX Glide Twill Fabric Top Replace-a-Top™ Twill Fabric Top
Trektop® NX Twill Fabric Top Supertop® NX Twill Fabric Top
EZFold™ Soft Tonneaus Floor & Cargo Liners
ZipRail™ Soft Tonneaus Pet Barriers
EZRoll™ Soft Tonneaus

BESTOP® 5-YEAR LIMITED WARRANTY

Trektop® NX Glide™ Top (non-Twill) Sunrider® for Hardtop (non-Twill) Replace-a-Top™ Top (non-Twill) Trektop® NX Top (non-Twill)
Sailcloth Replace-a-Top™ Supertop® NX Top (non-Twill)
Tigertop™ and Halftop™ Supertop® Classic Soft Top Sunrider® Complete Soft Top Supertop® for Truck
EZ Fold Hard Tonneau

BESTOP® 3-YEAR/100K MILES LIMITED WARRANTY

Powerboard® & Powerboard® NX
Trekstep®, Side Mount
Trekstep®, Rear Mount

BESTOP® 3-YEAR LIMITED WARRANTY

Pavement Ends Sprint Top

BESTOP® 2-YEAR LIMITED WARRANTY

Trektop® Classic Soft Top
RoughRider™ Soft Storage

BESTOP® 1-YEAR LIMITED WARRANTY

All other Bestop® & Pavement Ends™ products not specified above.

For further information or request for warranty work, please contact:

Bestop Inc. Customer Service

Toll-Free: (800)845-3567

E-mail: csbestop@Bestop.com

Website: www.Bestop.com