



# Installation Instructions Trek Top 4-Door

Vehicle Application:  
Jeep® Wrangler Unlimited JL 2018-Current  
Part Number 56863

## Installation Tips

Before you begin installing your new Trek Top, please read all the instructions thoroughly.

**WARNING** Do not rely in any way on the components of this product to protect against injury or death in the event of an accident. Never operate the vehicle in excess of manufacturer's specifications.

Read and follow, precisely, all installation instructions provided when installing this product. Failure to do so may result in a poor fit and could place occupants of the vehicle in a potentially dangerous situation.



## WEAR SEAT BELTS AT ALL TIMES

**CAUTION** Safety glasses should be worn at all times when installing this product.

### Tools



Safety Glasses



T8 - T40 - T45  
Torx Drivers

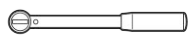


3mm - 4mm -  
5mm  
Allen Wrenches



8mm - 13mm  
Wrenches

- OR -



Socket  
Wrench



8mm - 13mm  
Sockets

### Installation Time



4 hours

### Skill Level



3 - Moderately Difficult

### Support

We're here to help! Go to:  
<https://www.bestop.com>  
and click on **Need Help?**



<https://www.bestop.com/video-library>



## Installation Instructions Trek Top 4-Door

Vehicle Application:  
Jeep® Wrangler Unlimited JL 2018-Current  
Part Number 56863

### Sugerencias de Instalación

**Antes de empezar a instalar esta unidad, lea atentamente todas las instrucciones.**

#### Para un buen ajuste:

Para facilitar la instalación, el producto debe instalarse a temperaturas superiores a 72 °F (22 °C).

Por debajo de esta temperatura, la tela puede encogerse una pulgada o más, lo que dificultaría su ajuste al vehículo.

Es normal que la tela se contraiga o arrugue cuando está guardada en la caja de empaque. A los pocos días después de la instalación, la tela se relajará y las arrugas desaparecerán.



#### ADVERTENCIA

Este producto se diseñó principalmente para mejorar la apariencia del vehículo y proteger a los ocupantes de las condiciones climáticas comunes. De ninguna manera piense que los componentes de este producto pueden servir como medio de contención para los ocupantes del vehículo o que pueden protegerlos contra lesiones o la muerte en caso de accidente. Este producto no protegerá a los ocupantes contra caídas de objetos. Nunca conduzca este vehículo fuera de las especificaciones del fabricante.

#### USE LOS CINTURONES DE SEGURIDAD EN TODO MOMENTO

Lea y siga con precisión todas las instrucciones de instalación que se proporcionan para instalar este producto. Si no lo hace, podría producirse un mal ajuste que colocaría a los ocupantes del vehículo en una situación potencialmente peligrosa.



#### PRECAUCIÓN

Debe usar gafas protectoras en todo momento durante la instalación de este producto.

### Conseils pour l'installation

**Lire toutes les instructions au complet avant de commencer l'installation de cet assemblage.**

#### Pour un ajustement sans problème :

Afin de faciliter l'installation, ce produit doit être installé à des températures au-dessus de 72 °F (22 °C).

Sous cette température, le tissu peut rétrécir d'un pouce (2,5 cm) ou plus, ce qui rendra l'ajustement sur le véhicule difficile.

Il est normal que le tissu rétrécisse et plisse pendant qu'il est dans la boîte d'expédition. En quelques jours après l'installation, le tissu se détendra et les plis disparaîtront.



#### AVERTISSEMENT

Ce produit est conçu principalement pour améliorer l'apparence du véhicule et pour protéger les occupants des conditions météorologiques usuelles. Ne jamais se fier aux composants de ce produit pour se protéger de blessures ou de la mort en cas d'accident. Ce produit ne protégera pas les occupants des chutes d'objets. Ne jamais utiliser le véhicule au-delà des caractéristiques techniques indiquées par le fabricant.

#### PORTER UNE CEINTURE DE SÉCURITÉ EN TOUT TEMPS

Lire et suivre, très fidèlement, toutes les instructions d'installation fournies lors de l'installation de ce produit. Ne pas suivre cette consigne peut causer une installation inadéquate et mettre les occupants du véhicule dans une situation potentiellement dangereuse.







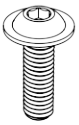
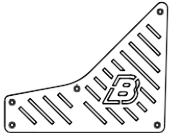
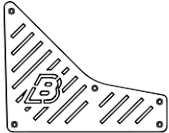



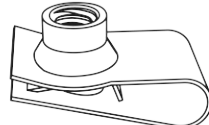

#### MISE EN GARDE

Des lunettes de sécurité doivent être portées en tout temps lors de l'installation de ce produit.

## Parts List

- Required parts for installation - Page number in Installation Guide

Sections 1 to 3	Rear Door Rails, Upper and Lower	Pages 7 to 8 of Guide	
			
<p>Upper Rear Door Rail Part #574.42 - Right Qty. 1</p>	<p>Upper Rear Door Rail Part #574.43 - Left Qty. 1</p>	<p>Lower Rear Door Rail Part #574.46 - Right Qty. 1</p>	<p>Lower Rear Door Rail Part #574.47 - Left Qty. 1</p>

Sections 1 to 2	Parts Kit #574.62	Pages 7 to 8 of Guide			
<div style="display: flex; justify-content: space-between; align-items: center;"> <div style="border: 1px solid black; padding: 2px; font-weight: bold;">Parts Kit #574.62</div> </div>					
	<p>M6x20mm Flanged Button Head Cap Screw #517.48 Qty. 4</p>		<p>Lower Rear Door Rail Grille #579.00 - Right Qty. 1</p>		<p>Lower Rear Door Rail Grille #579.01 - Left Qty. 1</p>
	<p>M3.5x6 Screw #574.44 Qty. 20</p>		<p>M8x1.25x80 Screw #532.23 Qty. 8</p>		<p>Upper Rear Door Rail Grille #578.96 Qty. 2</p>
					<p>M6 U-Clip #537.49 Qty. 4</p>
					<p>M8 Flat Washer #515.84 Qty. 2</p>

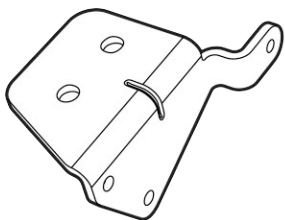
### Parts List

- Required parts for installation - Page number in Installation Guide

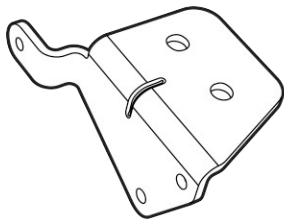
#### Sections 3 to 4

#### #4 Bow Brackets, Pivot Brackets, Parts Kit #576.59

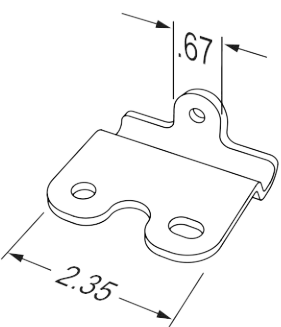
#### Pages 8 to 9 of Guide



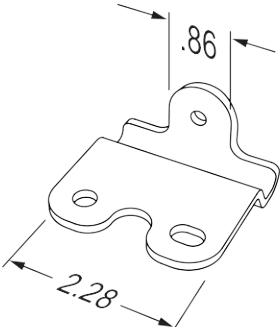
#4 Bow Bracket  
Part #576.30 - Right  
Qty. 1



#4 Bow Bracket  
Part #576.31 - Left  
Qty. 1



Side Bow Pivot Bracket  
Part #579.96  
Qty. 2

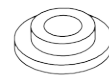


#2 Bow Pivot Bracket  
Part #579.95  
Qty. 2

#### Parts Kit #576.59



M8x1.25  
Nylon Lock Nut  
#434.12  
Qty. 4



Plastic Bushing  
#473.40  
Qty. 16



M8 Flat Washer  
#515.84  
Qty. 4



M8x1.25x20  
Button Head  
Socket Cap Screw  
#431.59  
Qty. 4



M6x1x14  
Button Head  
Socket Cap Screw  
#517.63  
Qty. 18



M6 Flat Washer  
#515.81  
Qty. 12



M5 Nylon Lock Nut  
#526.76  
Qty. 8



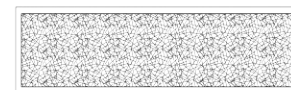
M5 Flat Washer  
#565.90  
Qty. 16



M8x1.25x38  
Button Head  
Socket Cap Screw  
#532.17  
Qty. 2



M5x0.8x25  
Button Head  
Socket Cap Screw  
#579.60  
Qty. 8



3.5x1" PSA Hook Strip  
#495.45  
Qty. 4



# Installation Instructions Trek Top 4-Door

Vehicle Application:  
Jeep® Wrangler Unlimited JL 2018-Current  
Part Number 56863

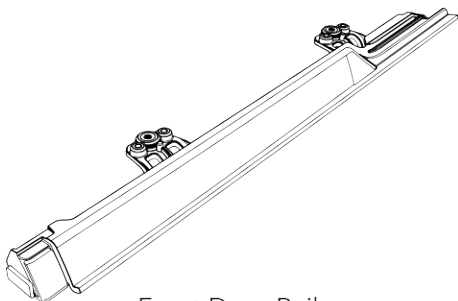
## Parts List

- Required parts for installation      - Page number in Installation Guide

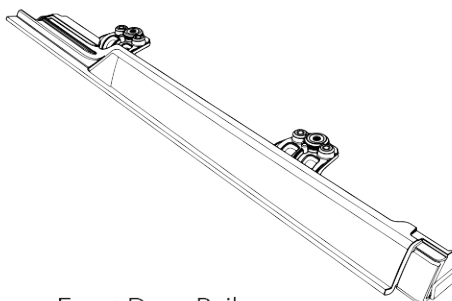
### Sections 3 to 4

#### Front Door Rails, #2 Bow Assembly

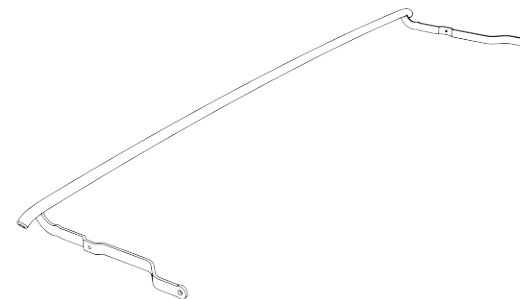
Pages 9 to 10 of Guide



Front Door Rail  
Part #574.32 - Right  
Qty. 1



Front Door Rail  
Part #574.33 - Left  
Qty. 1

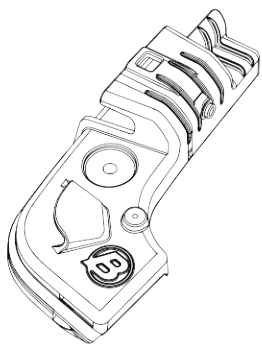


#2 Bow Assembly  
Part #576.44  
Qty. 1

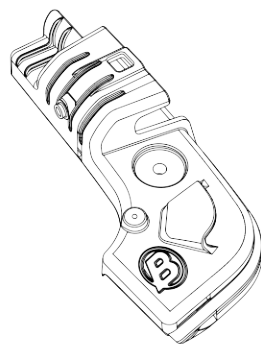
### Sections 5 to 7

#### Tailgate Bar Retainers, #4 Bow Assembly, #3 Bow Assembly

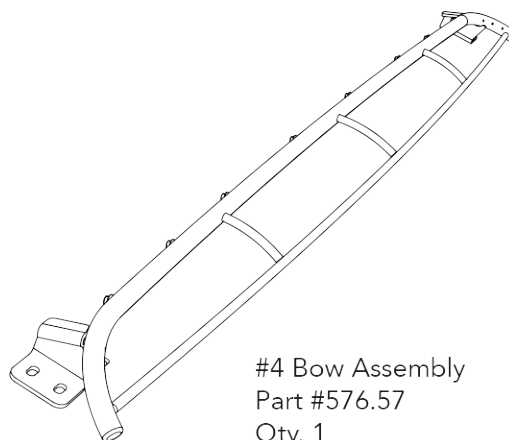
Pages 11 to 13 of Guide



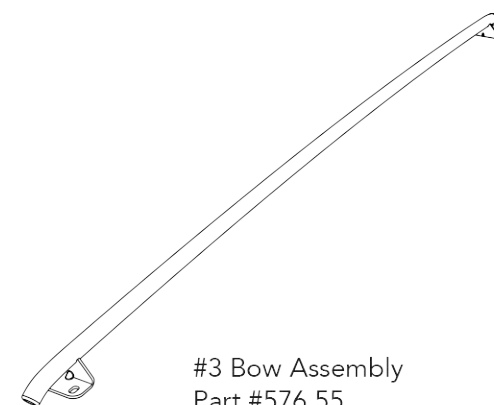
Tailgate Bar Retainer  
Part #575.38 - Right  
Qty. 1



Tailgate Bar Retainer  
Part #575.39 - Left  
Qty. 1



#4 Bow Assembly  
Part #576.57  
Qty. 1



#3 Bow Assembly  
Part #576.55  
Qty. 1



# Installation Instructions Trek Top 4-Door

Vehicle Application:  
Jeep® Wrangler Unlimited JL 2018-Current  
Part Number 56863

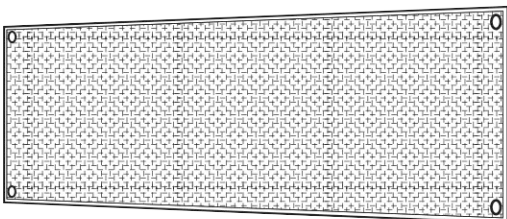
## Parts List

- Required parts for installation      - Page number in Installation Guide

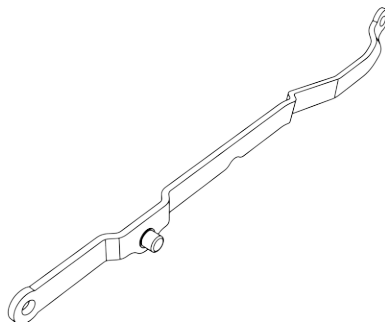
### Sections 8 to 10

### Mesh Panel, Bow Link Assemblies

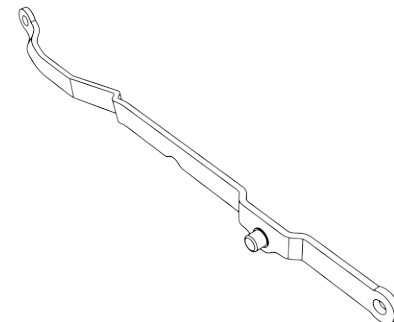
Pages 7 to 8 of Guide



Mesh Panel  
Part #585.34  
Qty. 1



#2 Bow Link Assembly  
Part #576.15 - Left  
Qty. 1

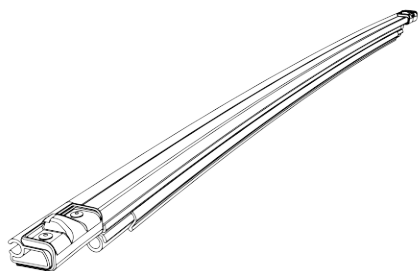


#2 Bow Link Assembly  
Part #576.16 - Right  
Qty. 1

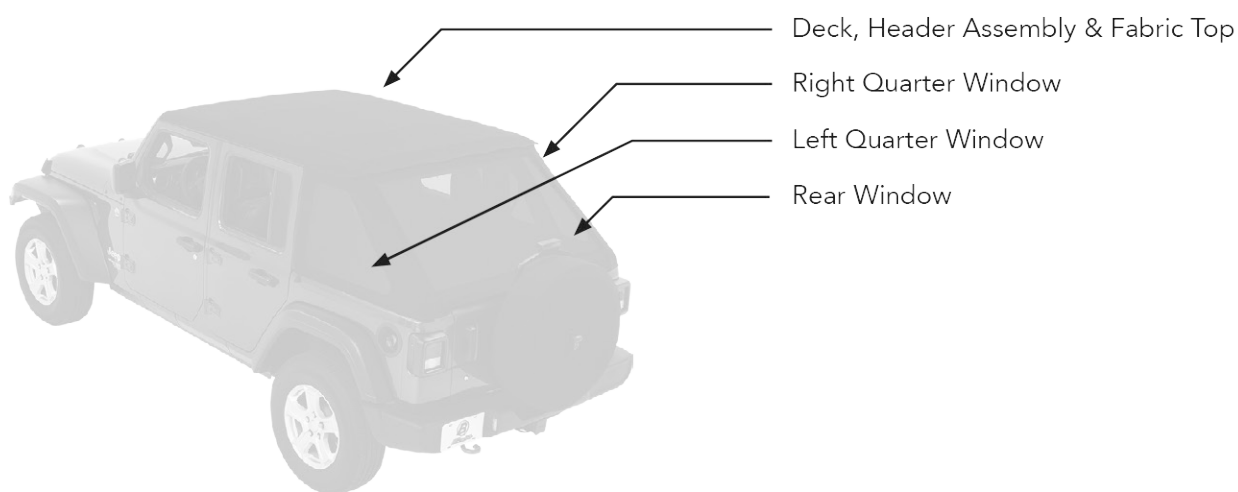
### Sections 15 to 17

### Tailgate Bar

Pages 21 to 24 of Guide



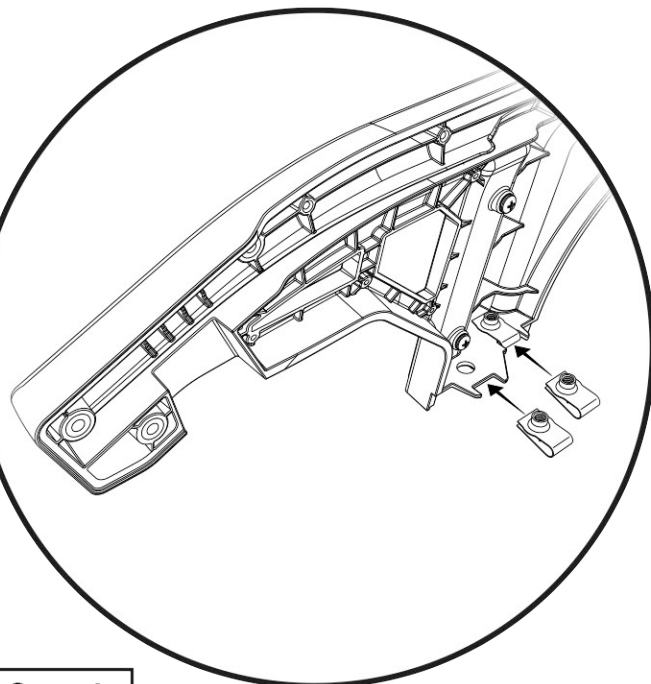
Tailgate Bar  
Part #575.33  
Qty. 1



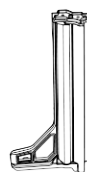
Step 1	537.49	574.42	574.43
--------	--------	--------	--------

## Hardware

Step 2	574.46	574.47	517.48
--------	--------	--------	--------



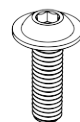
Upper Rear Door Rail  
Part #574.42 - Right  
Part #574.43 - Left  
Qty. 1 of each



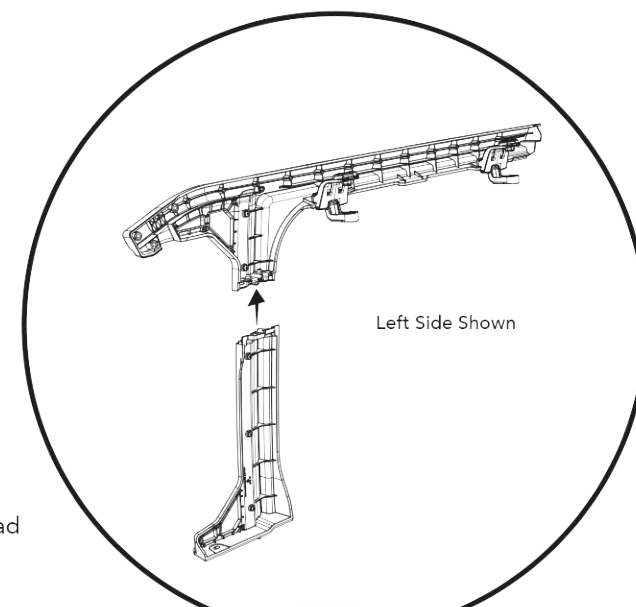
Lower Rear Door Rail  
Part #574.46 - Right  
Part #574.47 - Left  
Qty. 1 of each



M6 U-Clip  
#537.49  
Qty. 4



M6x20mm  
Flanged Button Head  
Cap Screw  
#517.48  
Qty. 4



Left Side Shown

## Step 1

## Tools



4mm  
Allen Wrench

Attach the two (2) U-Clips #537.49 to the Upper Rear Door Rails #574.42 (right) and #574.43 (left) in the positions indicated. Make sure to have the threaded barrel of each U-Clip facing up.

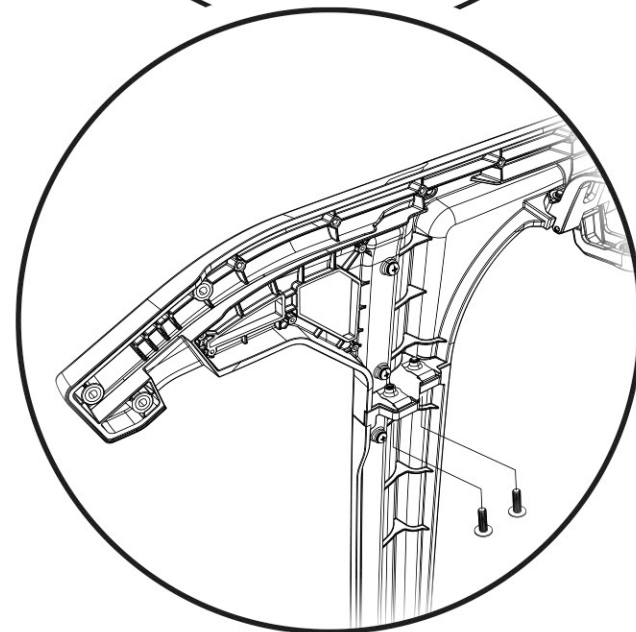
## Step 2

Attach the Upper Rear Door Rail #574.42 (right) to the Lower Rear Door Rail #574.46 (right).

Attach the Upper Rear Door Rail #574.43 (left) to the Lower Rear Door Rail #574.47 (left).

Use two (2) #517.48 Button Head Cap Screws (can be found in Small Parts Kit #574.62) per assembly.

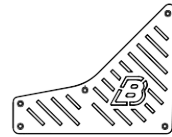
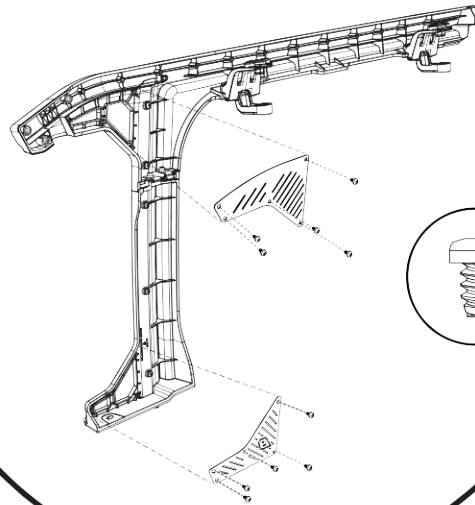
Screws thread up from the bottom into the U-Clips.



**Step 1** 579.00 579.01 578.96 574.44

**Hardware**

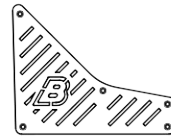
**Step 2** 576.30 576.31 517.63



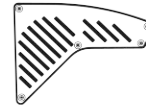
Lower Rear Door Rail Grille #579.00 - Right Qty. 1



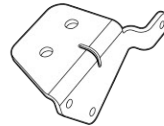
M3.5x6 Screw #574.44 Qty. 20



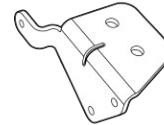
Lower Rear Door Rail Grille #579.01 - Left Qty. 1



Upper Rear Door Rail Grille #578.96 Qty. 2



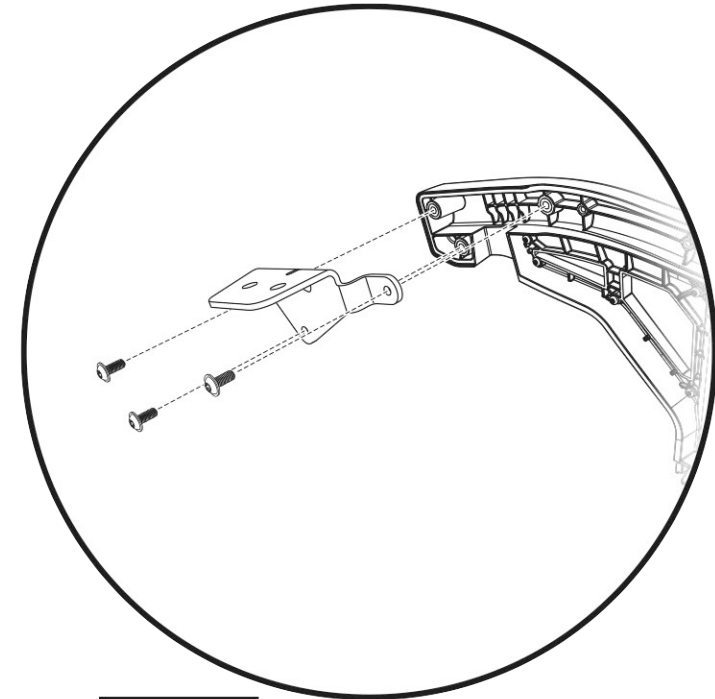
#4 Bow Bracket Part #576.30 - Right Qty. 1



#4 Bow Bracket Part #576.31 - Left Qty. 1



M6x14 Button Head Socket Cap Screw #517.63 Qty. 6



**Step 1**

Attach the Upper Rear Door Rail Grilles #578.96 to each Rear Door Rail Assembly using five (5) #574.44 screws for each grille. These grilles are the same on each side.

Attach the Lower Rear Door Grille #579.00 (right) to the Right Rear Door Rail Assembly, using five (5) #574.44 screws for each grille.

Attach the Lower Door Rail Grille #579.01 (left) to the Left Rear Door Rail Assembly, using five (5) #574.44 screws for each grille.

**Step 2**

Attach the #4 Bow Brackets, #576.30 (right) and #576.31 (left) to the back side of each Rear Door Rail Assembly.

Attach the Brackets using three (3) M6 x14 Button Head Socket Cap Screws #517.63 for each Door Rail Assembly.

**Tools**



T8 Torx Driver



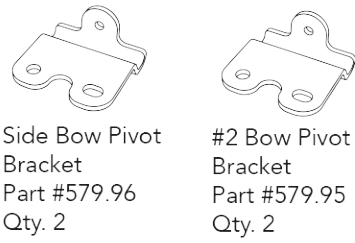
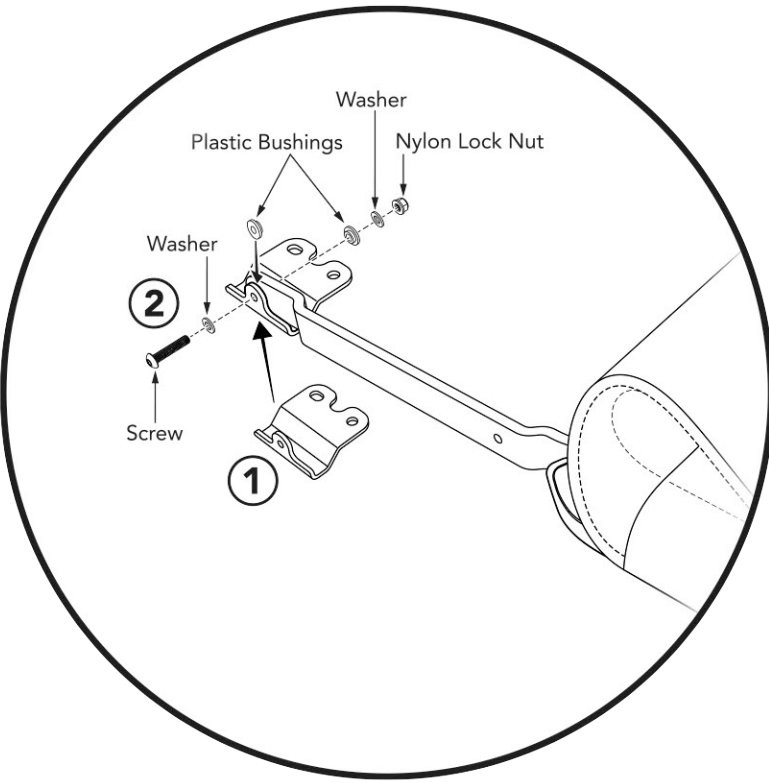
4mm Allen Wrench



**Step 1** 579.05 579.96

**Hardware**

**Step 2** 579.95 576.44

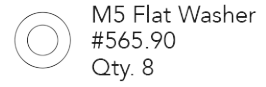


Side Bow Pivot Bracket  
Part #579.96  
Qty. 2

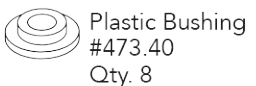
#2 Bow Pivot Bracket  
Part #579.95  
Qty. 2



M5x0.8x25  
Button Head  
Socket Cap Screw  
#579.60  
Qty. 8



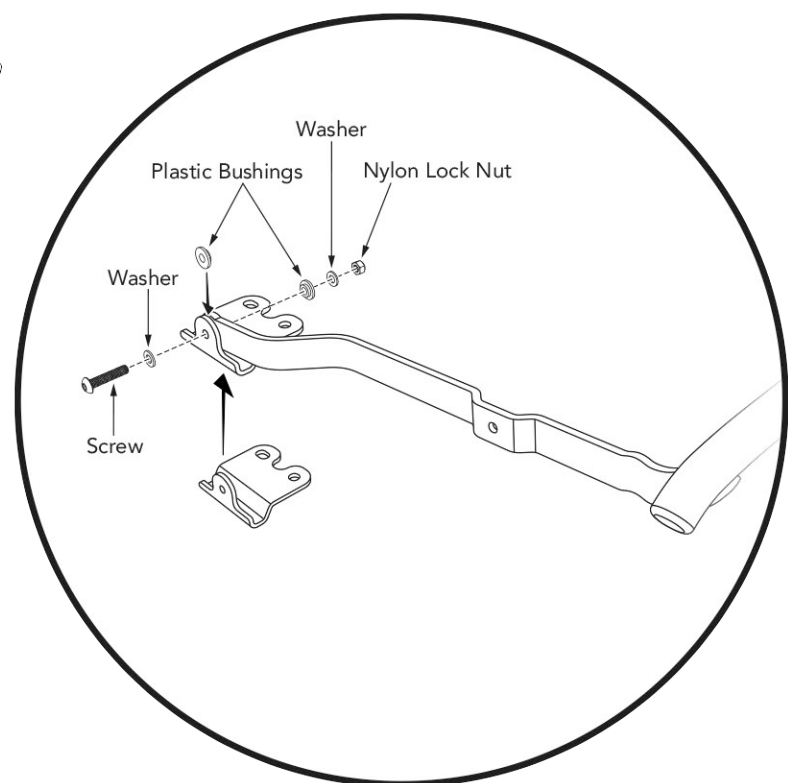
M5 Flat Washer  
#565.90  
Qty. 8



Plastic Bushing  
#473.40  
Qty. 8



M5 Nylon Lock Nut  
#526.76  
Qty. 4

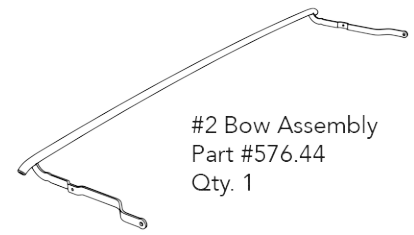


**Step 1**

Attach the Side Bow Pivot Brackets #579.96 to the Side Bows on the Header/Deck Assembly #579.05.

The Brackets attach to the end of each Side Bow using one (1) M5x0.8x25 Button Head Socket Cap Screw #579.60, two (2) Bushings #473.40, two (2) M5 Flat Washers #565.90 and one (1) M5 Nylon Lock Nut #526.76 on each Side Bow Leg.

The Plastic Bushings go directly on either side of the Side Bow legs, with the larger hole.



#2 Bow Assembly  
Part #576.44  
Qty. 1



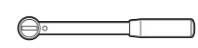
3mm Allen Wrench

**Tools**



8mm Wrench

- OR -



Socket Wrench



8mm Socket

**Step 2**

Attach the #2 Bow Pivot Brackets #579.95 to the #2 Bow #576.44.

The Brackets attach to the end of each #2 Bow leg using one (1) M5x0.8x25 Button Head Socket Cap Screw #579.60, two (2) Bushings #473.40, two (2) M5 Flat Washers #565.90 and one (1) M5 Nylon Lock Nut #526.76 on each Side Bow Leg.

The Plastic Bushings go directly on either side of the Side Bow legs, with the larger hole.

<b>Step 1</b>	532.23	573.09
---------------	--------	--------

<b>Hardware</b>
-----------------

<b>Step 2</b>	532.23	574.32	574.33
---------------	--------	--------	--------



M8x1.25x20  
Screw  
#573.09  
Qty. 2



M8x1.25x80  
Screw  
#532.23  
Qty. 8



Front Door Rail  
Part #574.33 - Left  
Qty. 1



Front Door Rail  
Part #574.32 - Right  
Qty. 1

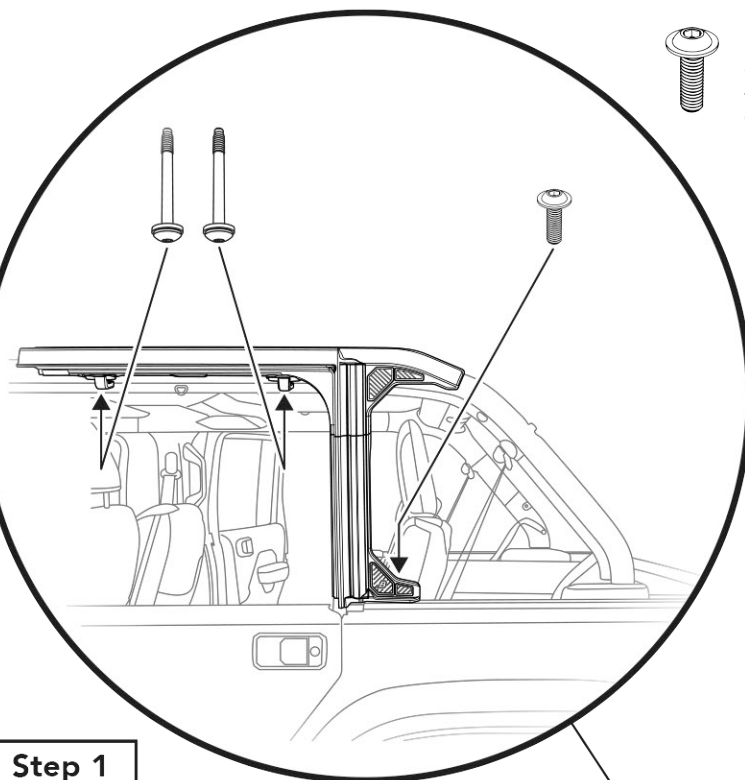


Rear Door Rail  
Assemblies  
Qty. 2

<b>Tools</b>
--------------



T40 Torx Driver



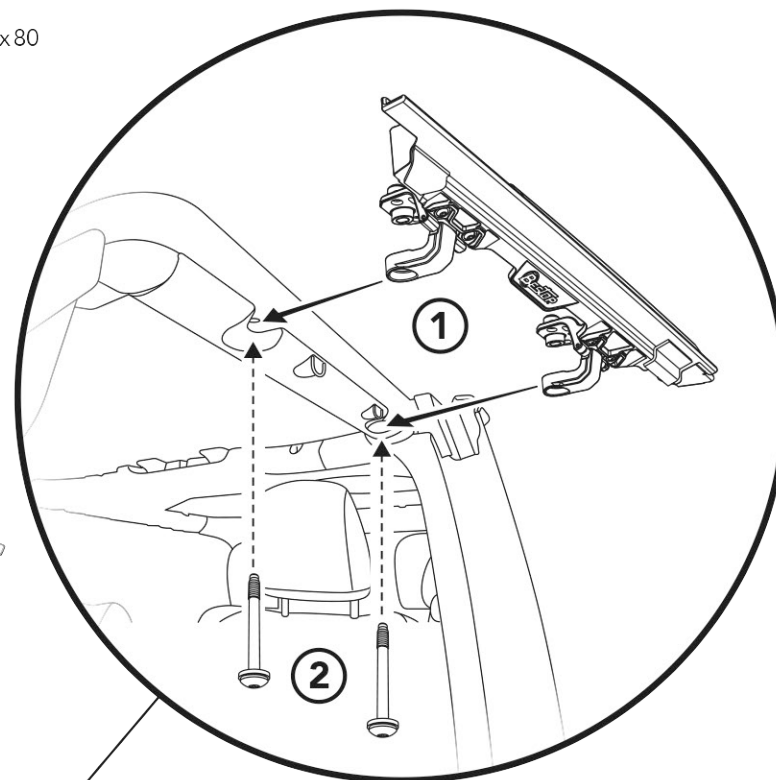
<b>Step 1</b>
---------------

Attach the Rear Door Rail Assemblies to the Jeep. Place each Rear Door Rail Assembly onto the Jeep just behind the rear door.

Align the hole in the lower portion of the Assembly with the threaded hole in the Jeep belt rail, the alignment pin on the bottom of the Assembly with the receiving hole in the top of the belt rail, and the two integral brackets along the top of the Assembly with the through-holes in the Jeep Sport Bar.

Insert two (2) M8x1.25x80 Screws #532.23 up from the bottom of the integral brackets and tighten.

Use one (1) M8x1.25x20 screw #573.09 on each Assembly to secure the Assembly to the Jeep belt rail.



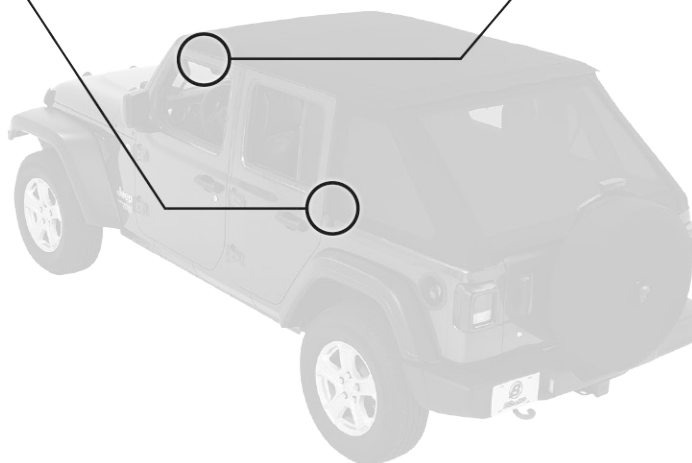
<b>Step 2</b>
---------------

Attach the Front Door Rails to the Jeep.

① Place each Front Door Rail #574.32 (left) and #574.33 (right) on the Jeep, aligning the rail brackets with the through-holes in the Jeep sport bar.

② Secure each Front Door Rail to the sport bar using two (2) M8x1.25x80 Socket Cap Screws #532.23.

Insert the screws from the bottom and tighten.



Step 1

575.38

575.39

532.17

## Hardware



Tailgate Bar Retainer  
Part #575.38 - Right  
Qty. 1



Tailgate Bar Retainer  
Part #575.39 - Left  
Qty. 1



M8x1.25x38  
Button Head  
Socket Cap Screw  
#532.17  
Qty. 2

## Tools

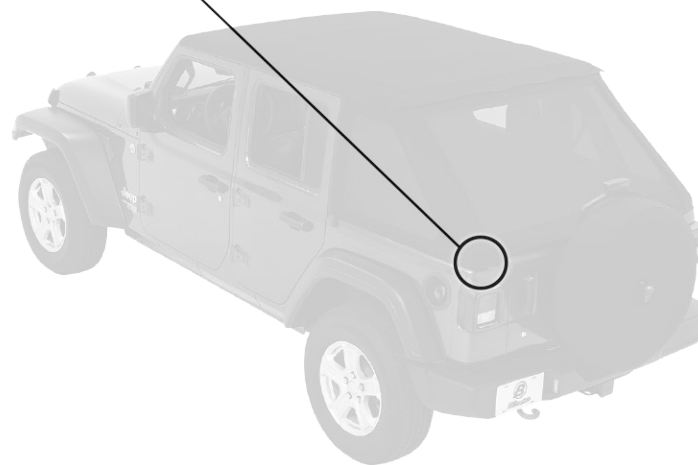


T45 Torx Driver

Step 1

Attach the Tailgate Bar Retainers #575.38 (right) and #575.39 (left) to the Jeep Belt Rail, using one (1) M8x1.25x38 Button Head Socket Cap Screw #532.17 per retainer.

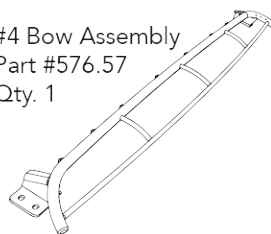
Insert the screws through the retainers, and into threaded holes in the top of the Jeep belt rail, and tighten.



<b>Step 1</b>	576.57	431.59	515.84	434.12
---------------	--------	--------	--------	--------

**Hardware**

#4 Bow Assembly  
Part #576.57  
Qty. 1



M8 x 1.25 x 20  
Button Head  
Socket Cap Screw  
#431.59  
Qty. 4



M8 Flat Washer  
#515.84  
Qty. 4



M8 x 1.25  
Nylon Lock Nut  
#434.12  
Qty. 4

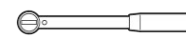
**Tools**

5mm Allen  
Wrench



13mm  
Wrench

- OR -



Socket  
Wrench

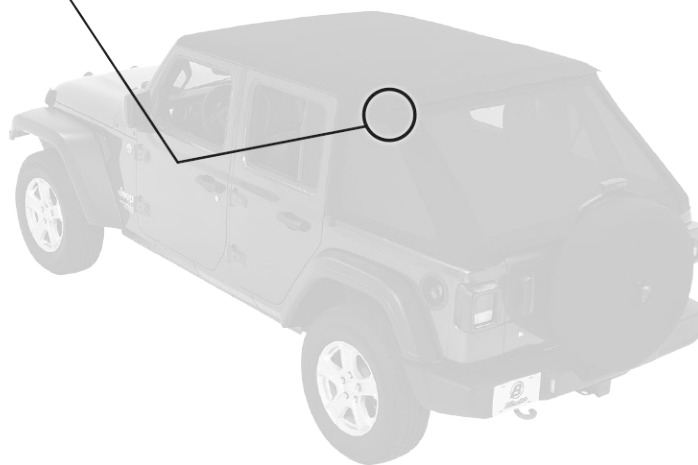


13mm  
Socket

**Step 1**

Attach the #4 Bow #576.57 to the brackets on the rear of each Rear Door Rail.

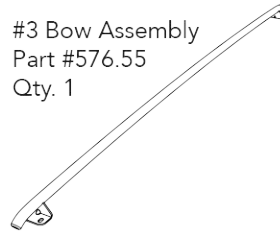
Secure the #4 Bow to the Rear Door Rail Brackets using two (2) M8x1.25x20 Button Head Cap Screws #431.59, two (2) M8 Flat Washers #515.84, and two (2) M8x1.25 Nylon Lock Nuts #434.12 on each side.



**Step 2** 576.55 517.63

**Hardware**

#3 Bow Assembly  
Part #576.55  
Qty. 1



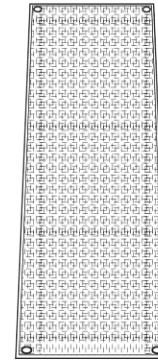
M6x1x14  
Button Head  
Socket Cap Screw  
#517.63  
Qty. 4



M6 Flat Washer  
#515.81  
Qty. 4

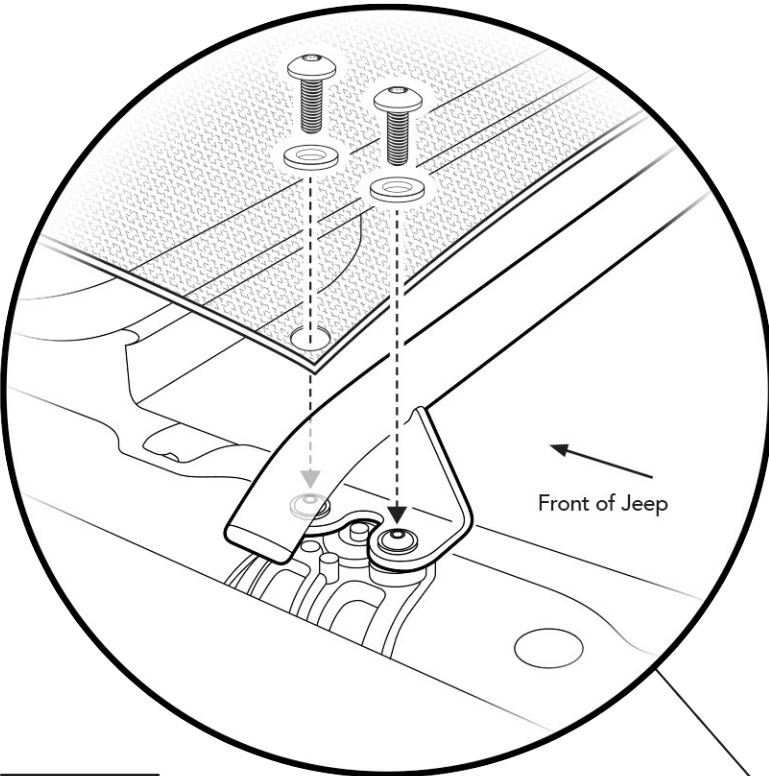


Mesh Panel  
Part #585.34  
Qty. 1



**Tools**

4mm Allen  
Wrench

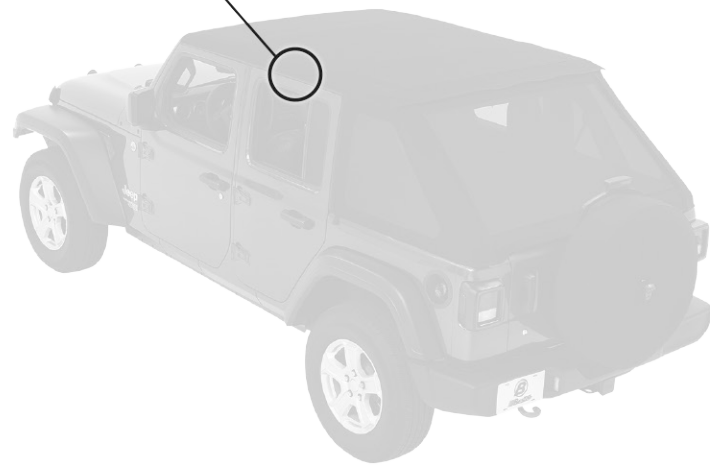


**Step 2**

Attach the #3 Bow #576.55 to the top of the Rear Door Rail rear brackets.

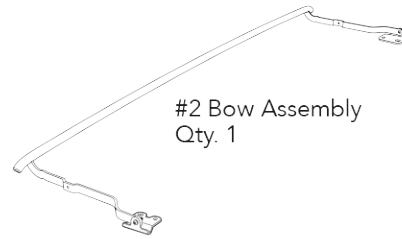
Attach one long side of the Mesh Panel #585.34 to the front mounting holes for the #3 Bow. The long side of the Mesh Panel goes across the Jeep.

Secure the #3 Bow and the Mesh Panel to the top of the brackets using two (2) M6x1x14 Button Head Cap Screws #517.63 and two (2) M6 Flat Washers #515.81 on each side of the Jeep.



<b>Step 1</b>	517.63	515.81	#2 Bow Assembly
---------------	--------	--------	-----------------

### Hardware

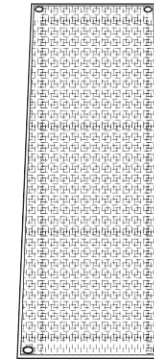


#2 Bow Assembly  
Qty. 1

M6x14  
Button Head  
Socket Cap Screw  
#517.63  
Qty. 4



M6 Flat Washer  
#515.81  
Qty. 4



Mesh Panel  
Part #585.34  
Qty. 1

### Tools



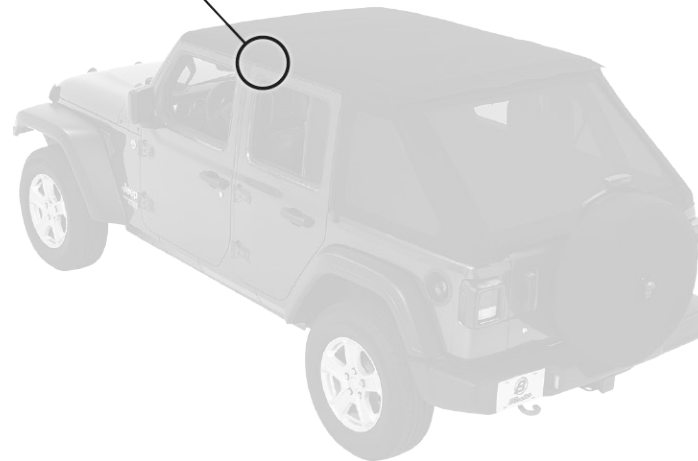
4mm Allen  
Wrench

### Step 1

Attach the #2 Bow Assembly to the top of the Rear Door Rail front brackets.

Attach one long side of the Mesh Panel #585.34 to the rear mounting holes for the #2 Bow.

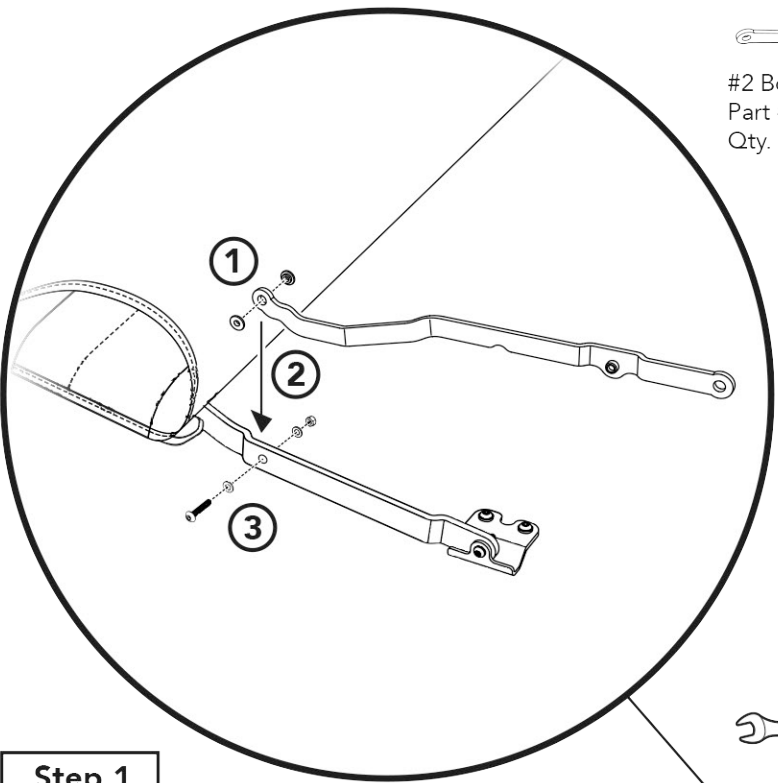
Secure the #2 Bow and the Mesh Panel to the top of the brackets using two (2) M6x14 Button Head Cap Screws #517.63 and two (2) M6 Flat Washers #515.81 on each side of the Jeep.









<b>Step 1</b>	576.15	576.16	Header/Deck Assembly
---------------	--------	--------	----------------------



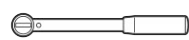

**Hardware**

<b>Step 2</b>	579.60	473.40	565.90
			526.76



-  #2 Bow Link Assembly  
Part #576.15 - Left  
Qty. 1
-  M5x0.8x25  
Button Head  
Socket Cap Screw  
#579.60  
Qty. 2
-  #2 Bow Link Assembly  
Part #576.16 - Right  
Qty. 1
-  Plastic Bushing  
#473.40  
Qty. 4
-  M5 Nylon  
Lock Nut  
#526.76  
Qty. 2
-  M5 Flat Washer  
#565.90  
Qty. 4

**Tools**

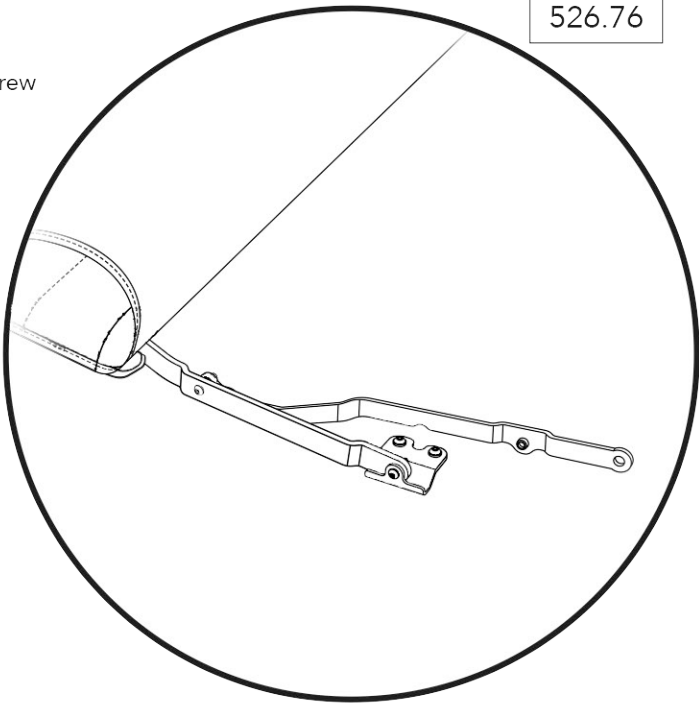
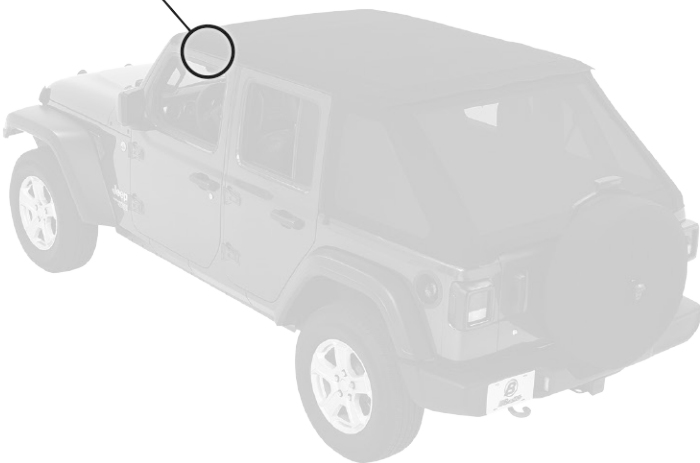
-  3mm Allen  
Wrench
-  8mm  
Wrench
- OR -
-  Socket  
Wrench
-  8mm  
Socket

**Step 1**

Attach the Bow Link Assemblies #576.15 (left) and #576.16 (right) to the Side Bow.

- ① Place a Plastic Bushing #473.40 on either side of the Bow Link with the larger hole.
- ② Align the Bow Link with Bushings with the hole in the Side Bow.
- ③ Secure the Bow link with one (1) M5x0.8x25 Button Head Socket Cap Screw #579.60, two (2) M5 Flat Washers #565.90, and one (1) M5 Nylon Lock Nut #526.76.

Attach a Bow Link Assembly to each Side Bow.



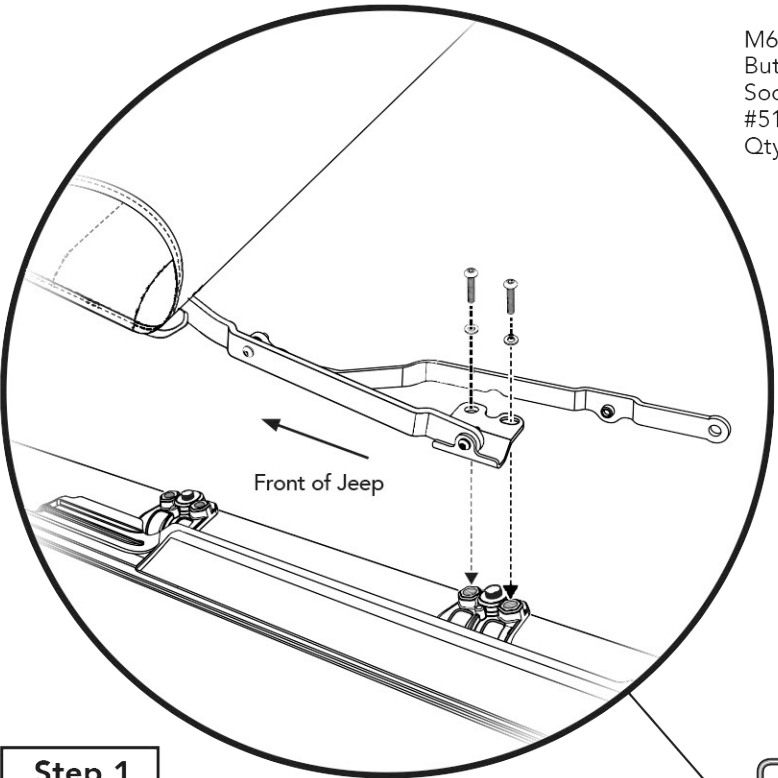
**Step 2**

Header/Deck and Side Bow Assembly is now ready to install on the Jeep.

<b>Step 1</b>	517.63	515.81	Header/Deck Assembly
---------------	--------	--------	----------------------

<b>Hardware</b>
-----------------

<b>Step 2</b>	579.60	473.40	565.90
			526.76



- M6x14 Button Head Socket Cap Screw #517.63 Qty. 4 
- M6 Flat Washer #515.81 Qty. 4 
- M5x0.8x25 Button Head Socket Cap Screw #579.60 Qty. 2 
- Plastic Bushing #473.40 Qty. 4 
- M5 Flat Washer #565.90 Qty. 4 
- M5 Nylon Lock Nut #526.76 Qty. 2 

**Tools**

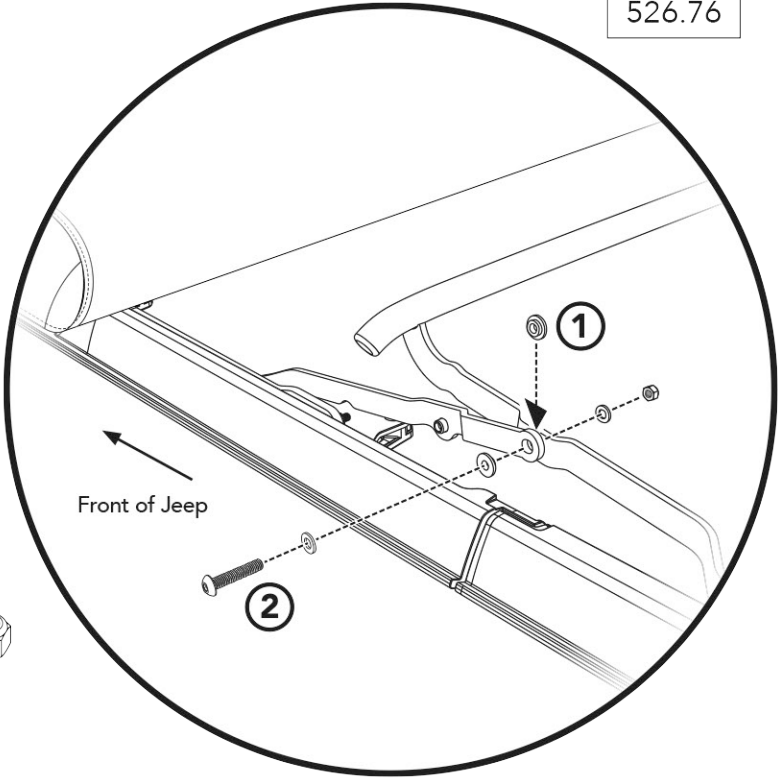
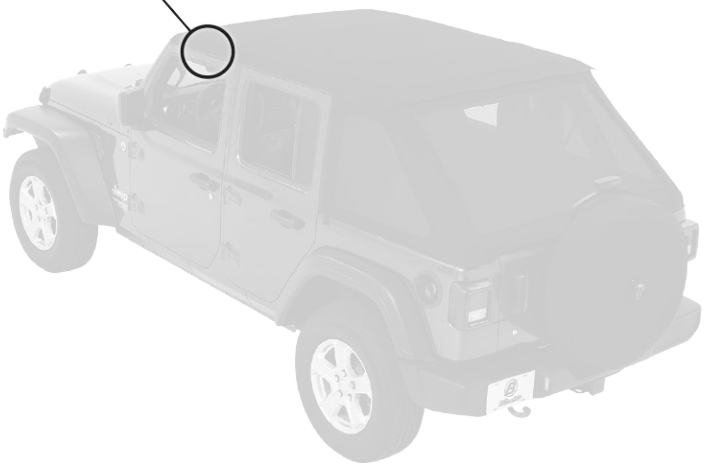
- 3 - 4mm Allen Wrenches 
- 8mm Wrench 

**Step 1**

Lift the Header/Deck-Side Bow Assembly onto the top of the Jeep, resting the Header on top of the Jeep windshield header.

Attach the #Header/Deck/Side Bow Assembly to the top of the Front Door Rail rear brackets.

Secure the Side Bow to the top of the brackets using two (2) M6x14 Button Head Cap Screws #517.63 and two (2) M6 Flat Washers #515.81 on each side of the Jeep.



**Step 2**

Attach the Bow Link Assemblies to the #2 Bow.

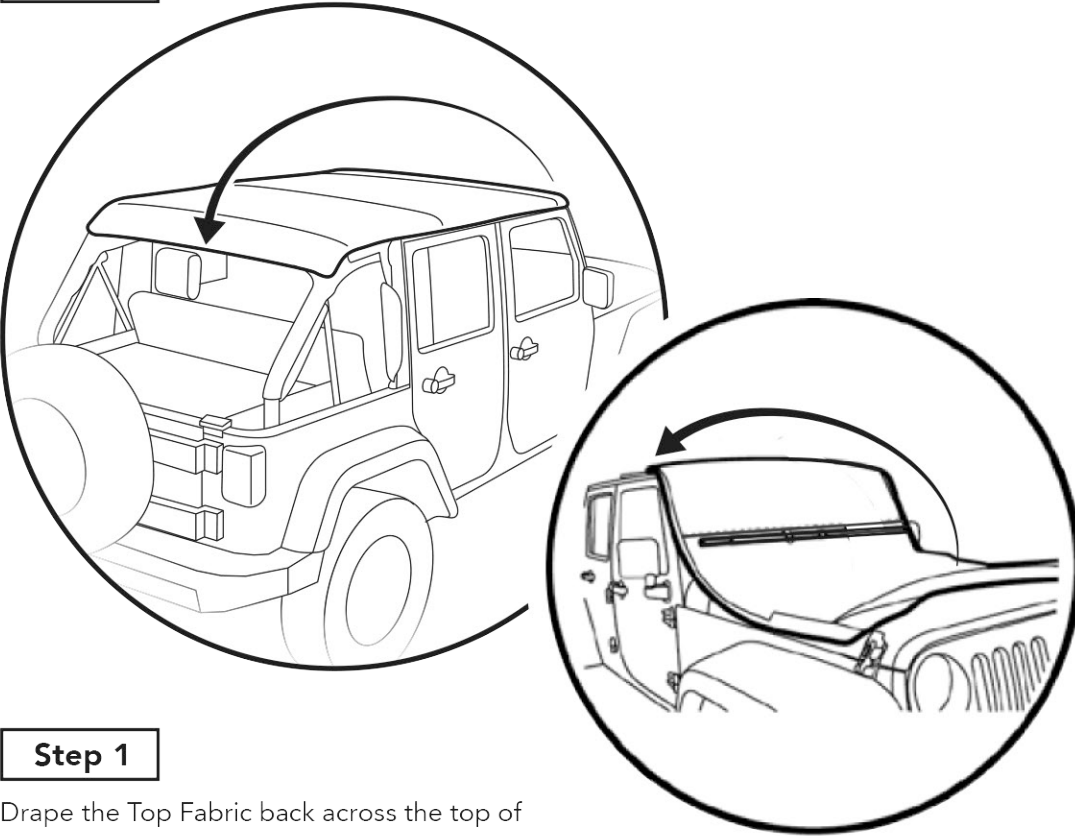
① Align the holes in the Bow Link and the #2 Bow, and place a Plastic Bushing #473.40 in between the Bow Link and the #2 Bow.

② Secure the Bow link with one (1) M5x0.8x25 Button Head Socket Cap Screw #579.60, two (2) M5 Flat Washers #565.90, and one (1) M5 Nylon Lock Nut #526.76.

Attach a Bow Link to each Side Bow.



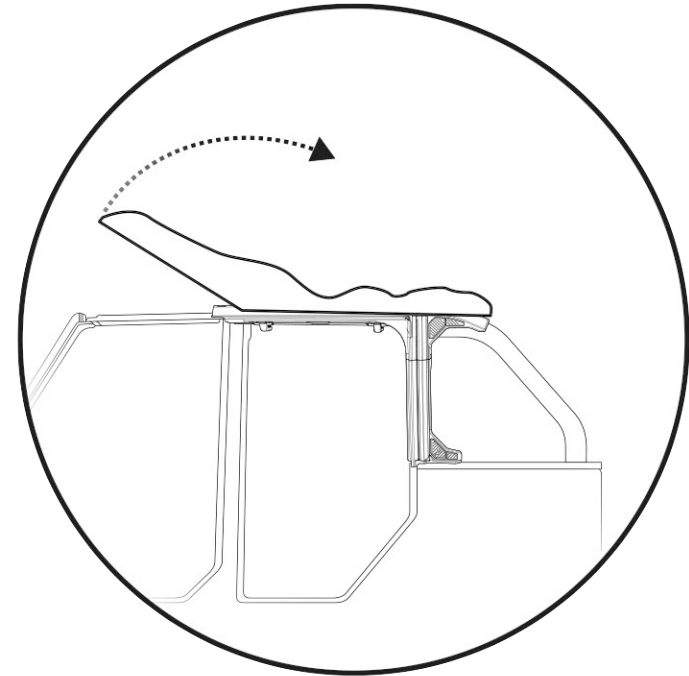
**Step 1**



**Step 1**

Drape the Top Fabric back across the top of the Jeep sport bars, and the #2, #3, and #4 Bows.

**Step 2**

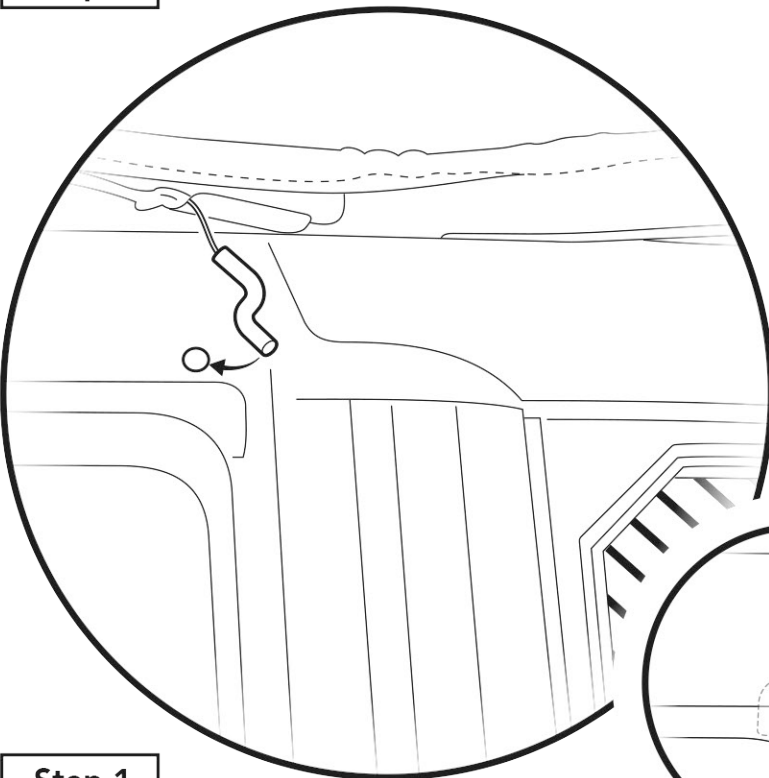


**Step 2**

Open the Sunrider.



**Step 1**

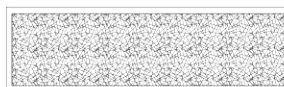


**Step 1**

Locate the Z-Clips, which extend out from the edge of the top fabric just above the Rear Door Rail on each side of the Jeep.

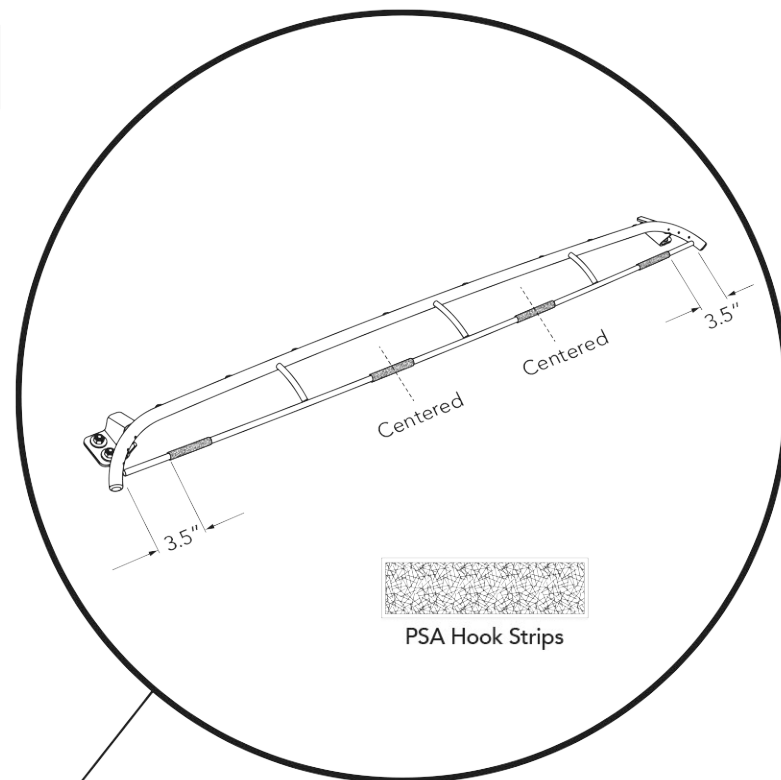
Attach the Z-Clips to the Rear Door Rails by inserting the end of the clip into the hole in each Rear Door Rail.

**Hardware**



3.5x1" PSA Hook Strip  
#495.45  
Qty. 4

**Step 2**

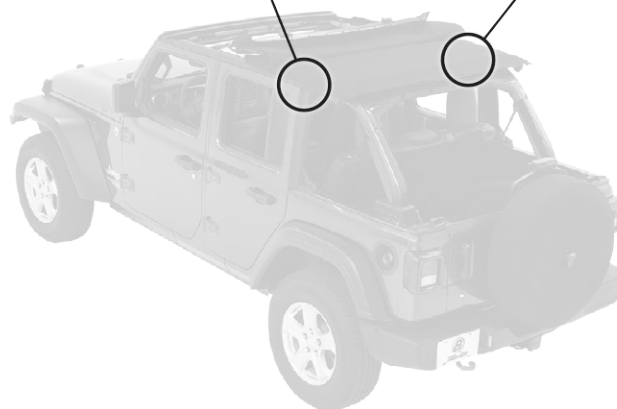


**Step 2**

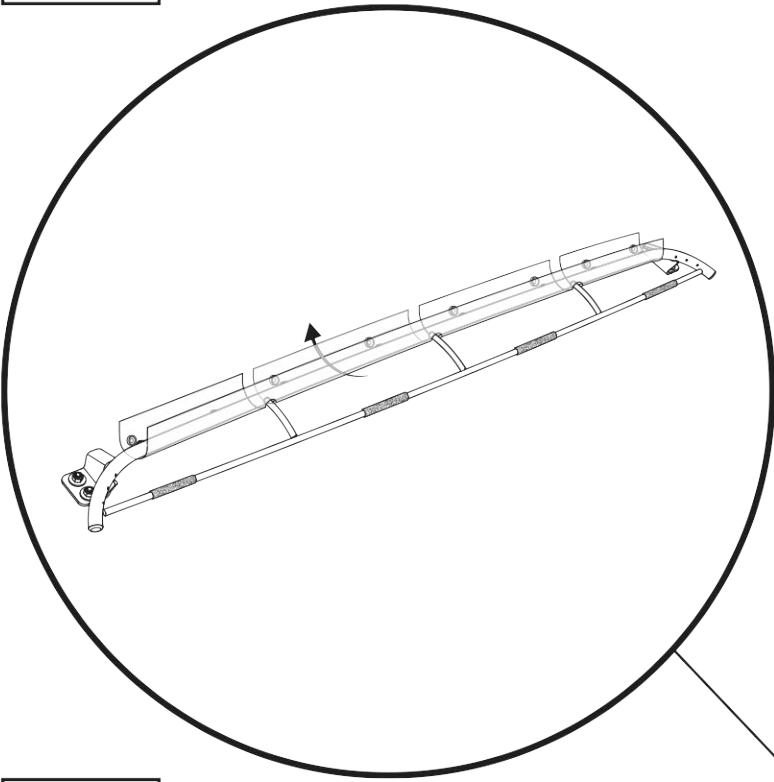
Attach the PSA Hook Strips #495.45 to the #4 Bow.

Remove the adhesive liner from each strip, and wrap the PSA Hook Strips around the cross-bars of the #4 Bow as shown above.

The outer strips should be placed 3.5" from the end of the #4 Bow. The inner strips should be centered in the portion of the cross bar between the connecting bars.



**Step 1**

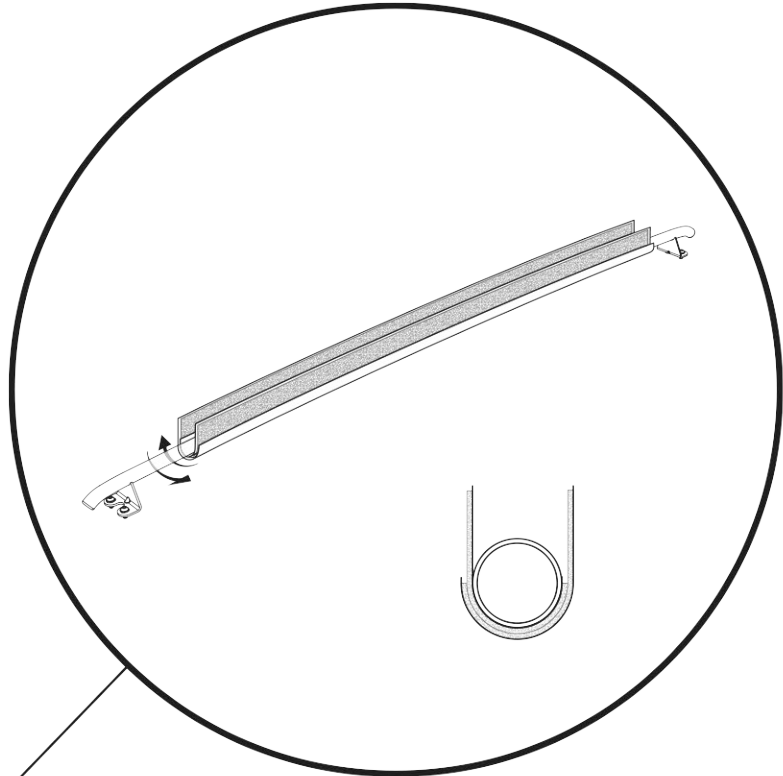


**Step 1**

Locate the four flaps sewn to the inside of the fabric top just above the #4 Bow.

Wrap these flaps around the #4 Bow from back-to-front, and snap to the snaps on the front side of the #4 Bow.

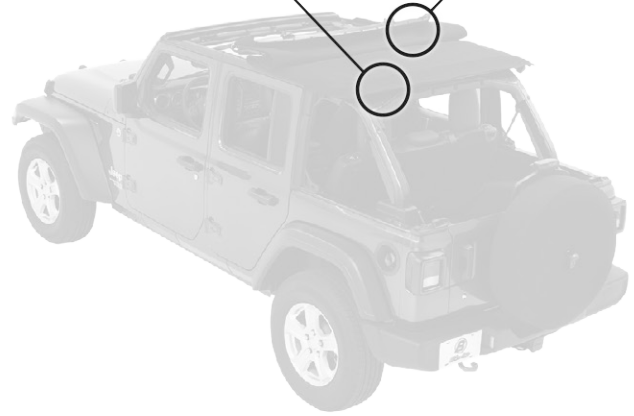
**Step 2**



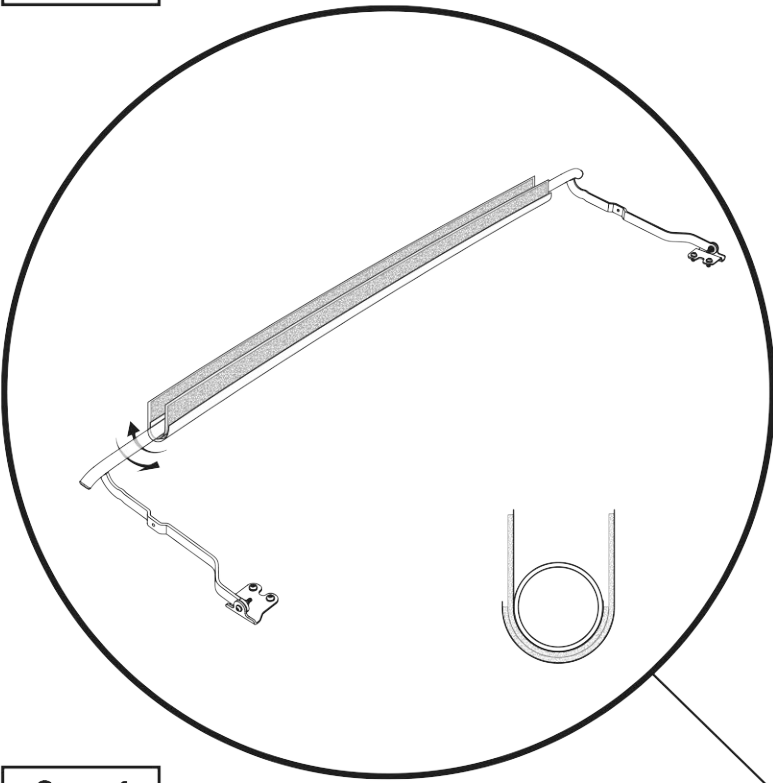
**Step 2**

Locate the two fabric flaps sewn to the inside of the fabric top just above the #3 Bow.

Wrap these flaps around the #3 Bow so that the Hook side of one flap attaches to the Loop side of the other flap.



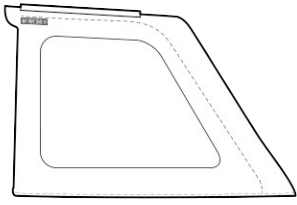
**Step 1**



**Step 1**

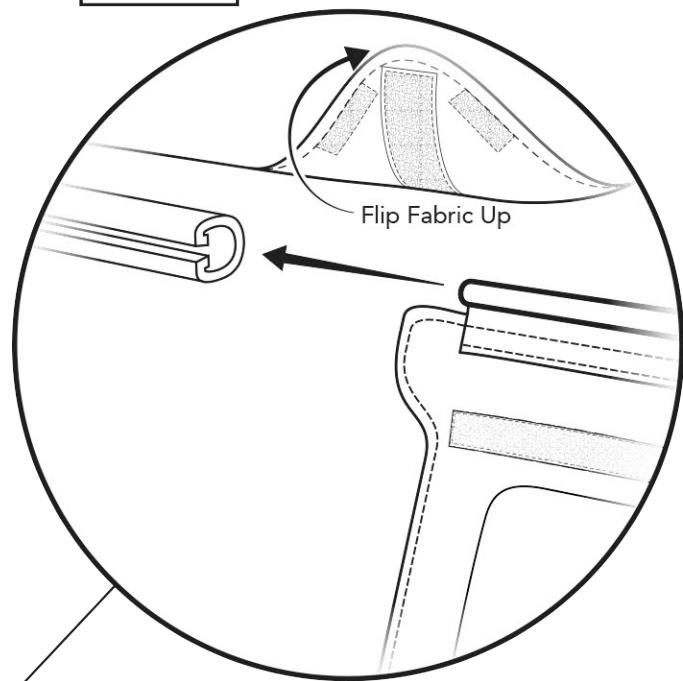
Locate the two fabric flaps sewn to the inside of the fabric top just above the #2 Bow.  
 Wrap these flaps around the #2 Bow so that the Hook side of one flap attaches to the Loop side of the other flap.

**Hardware**



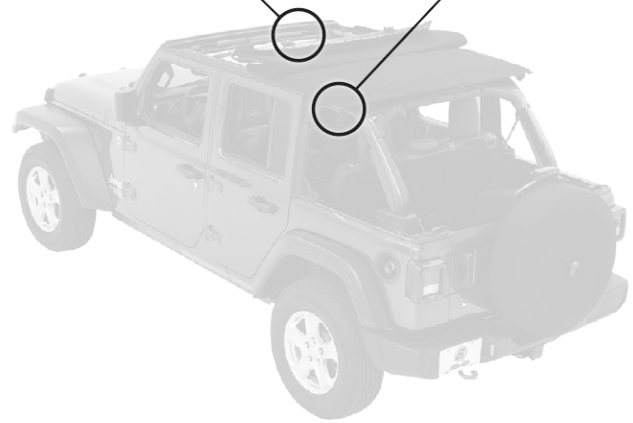
Quarter Windows  
 Left and Right  
 Qty. 1 of each

**Step 2**

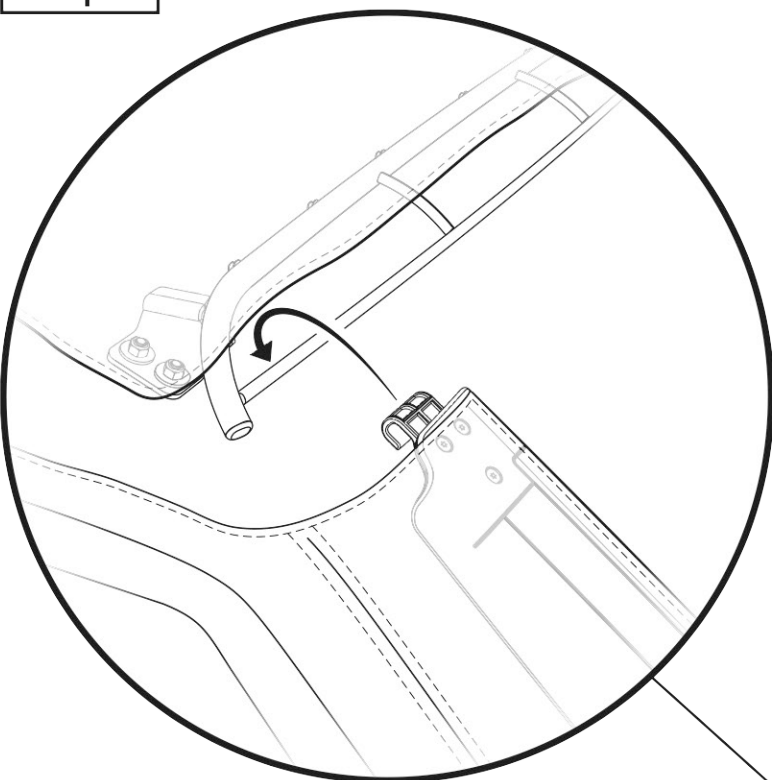


**Step 2**

Attach the Quarter Windows.  
 Locate the plastic channel along the left side edge of the top fabric, behind the left Rear Door Rail.  
 Lift up the fabric top for access to the plastic channel.  
 Insert the tip of the sewn-in plastic tube at the top edge of the left Quarter Window into the open end of the rear of the channel sewn onto the bottom edge of the top fabric.  
 Slide the Quarter Window forward until the front portion of the window is aligned with the rear edge of the Rear Door Rail.  
 Repeat on the right Side Quarter Window.



**Step 1**



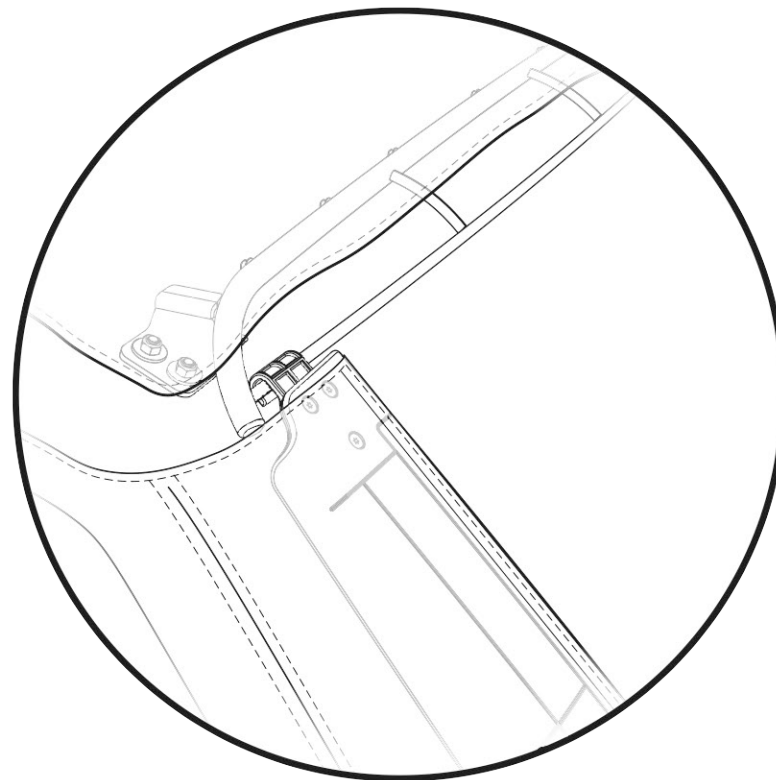
**Step 1**

Attach the Quarter Window Stiffeners (attached to the inside of each Quarter Window) to the #4 Bow cross bar.

Clip the Stiffener J-Hooks over the #4-Bow cross bar, and make sure they are located all the way to the outside of the #4 Bow on each side.

It may be easier to attach each J-hook to the cross bar by rotating the Stiffener just a bit side-to-side to allow the J-Hook to slide over the cross bar.

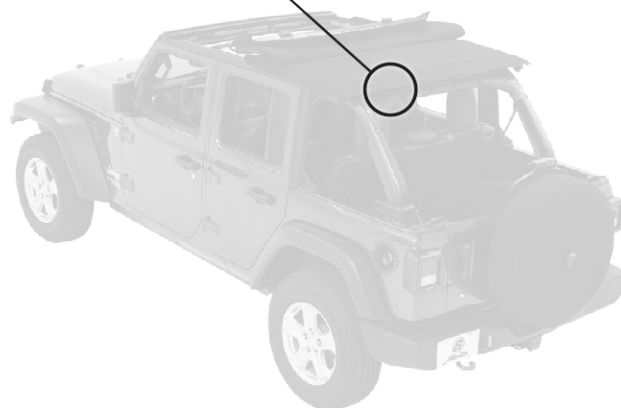
**Step 2**



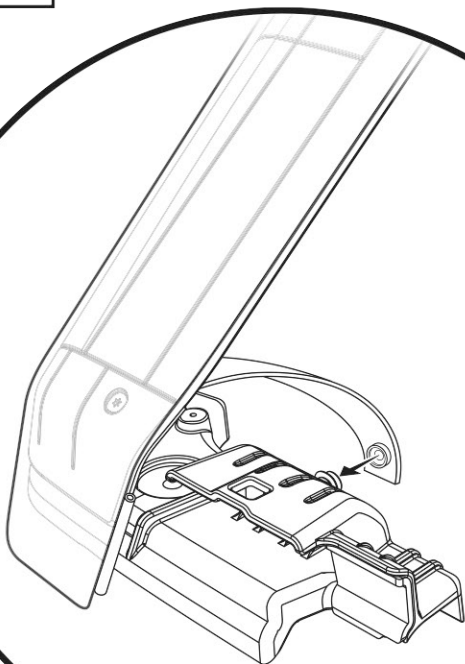
**Step 2**

Correct location for the left side Quarter Window and Stiffener shown.

Attach Quarter Window Stiffener to #4 Bow cross bar on both sides of the Jeep.



## Step 1

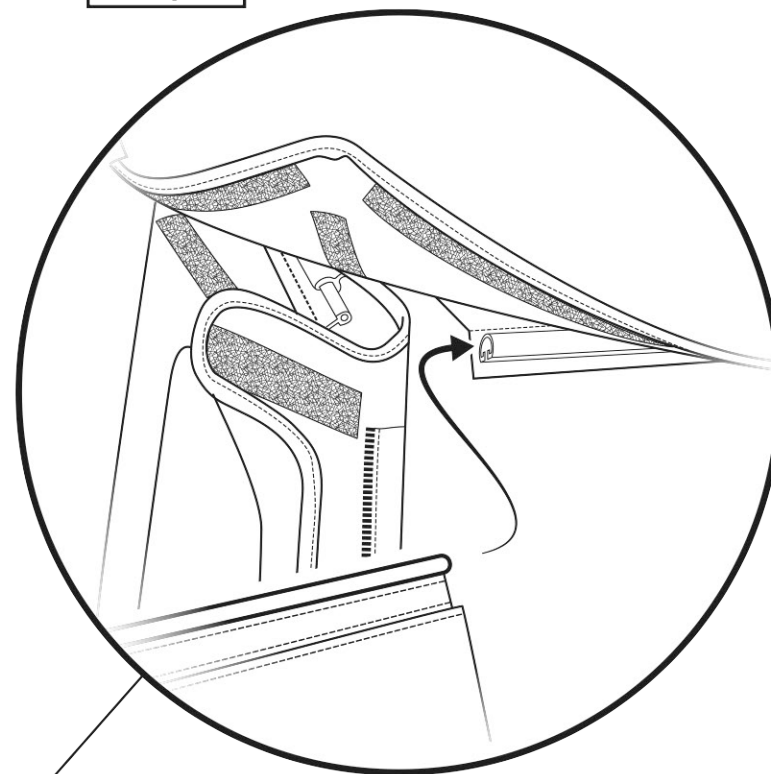


## Step 1

Secure the Quarter Panel Stiffeners to the Tailgate Retainers.

Locate the strap attached to the inside of each Stiffener. Snap the loose end of this strap to the snap located on the inside of each Tailgate Retainer.

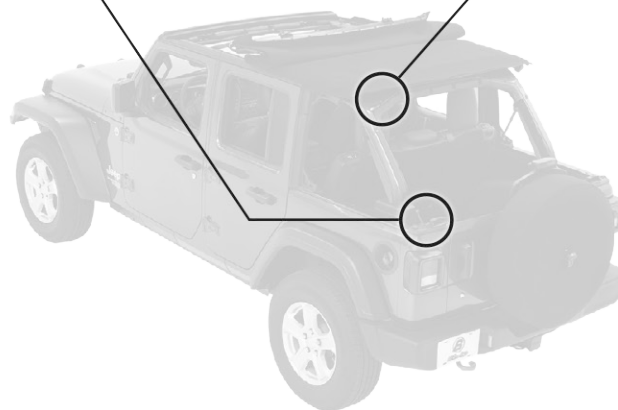
## Step 2



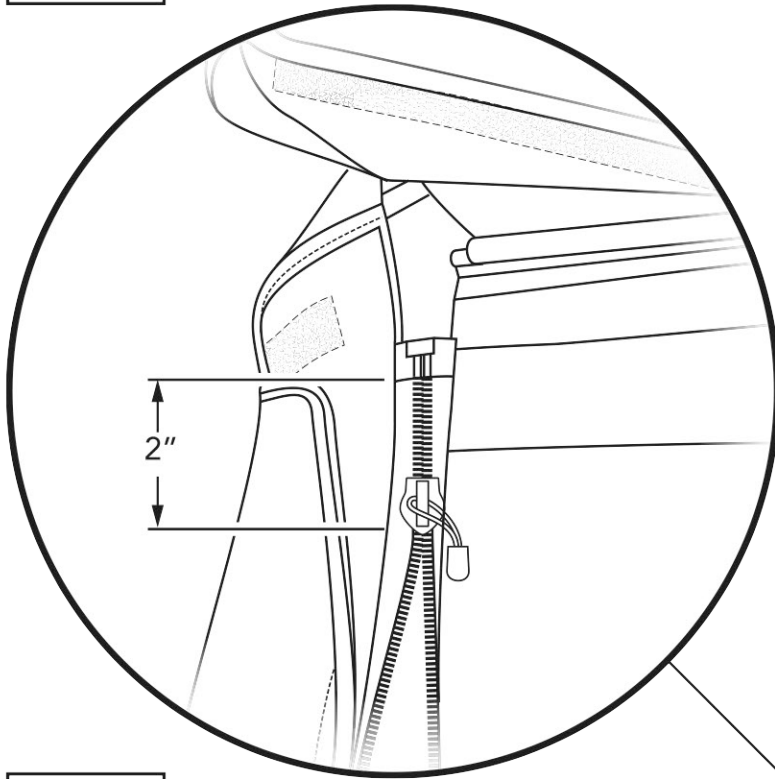
## Step 2

Lift up the corners of the Top Fabric to expose the Rear Window attachment channel.

Insert the tip of the sewn-in plastic tube at the top right corner of the Rear Window into the left-side open end of the channel sewn onto the bottom edge of the top fabric, and slide the Rear Window to the right until it meets the right side Quarter Panel Stiffener.



Step 1



Step 1

Lift up the corners of the Top Fabric to expose the zippers on the Quarter Windows and on the Rear Window.

Zip the first 2" of the Quarter Windows to the Rear Window on each side of the Jeep.

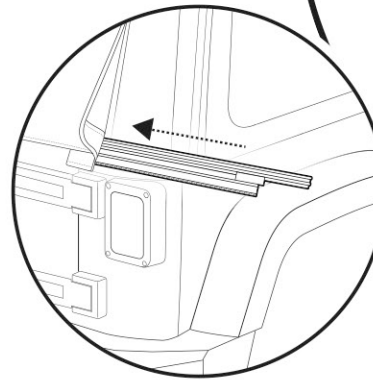
Hardware



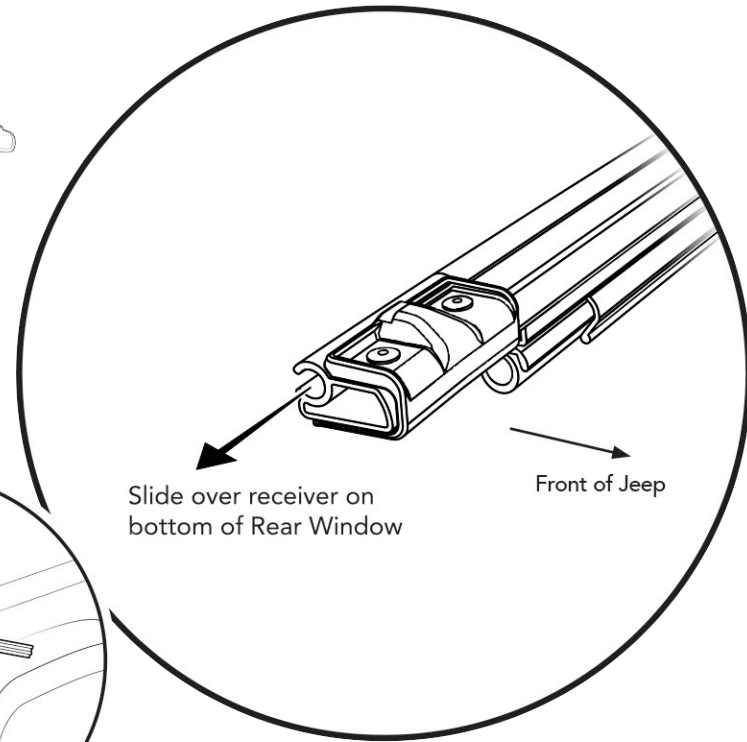
Rear Window



Tailgate Bar  
Part #575.33  
Qty. 1



Step 2



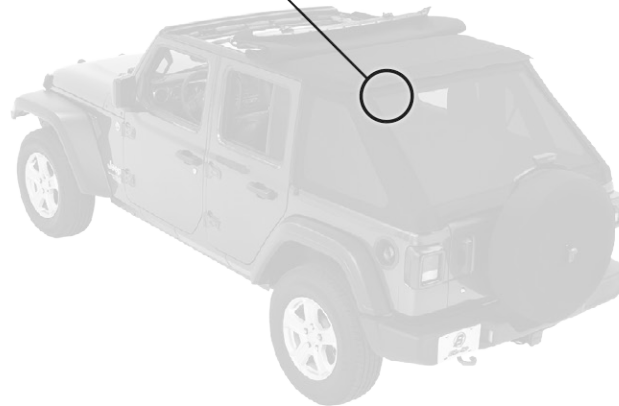
Slide over receiver on bottom of Rear Window

Front of Jeep

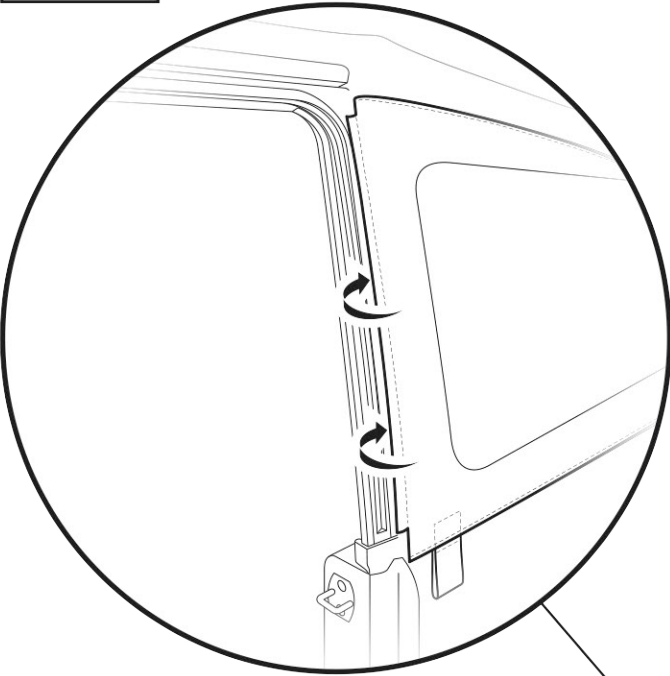
Step 2

Attach the Tailgate Bar #575.33 to the Rear Window.

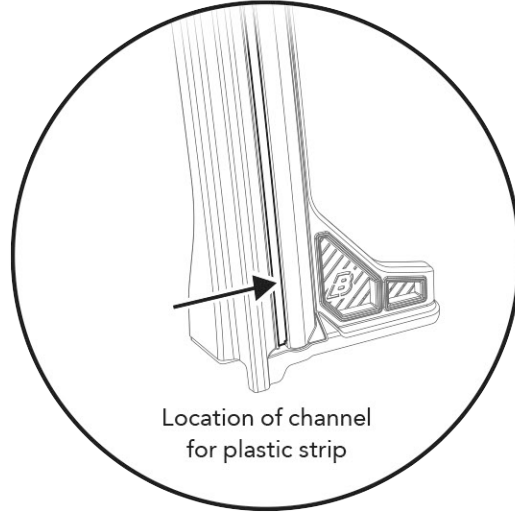
Slide the Tailgate Bar channel over the sewn-in receiver tube on the lower inside of the Rear Window.



**Step 1**

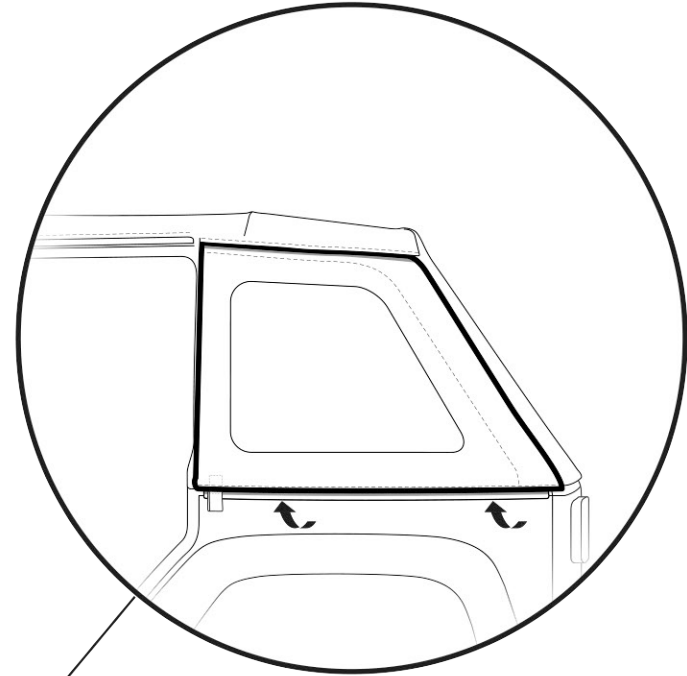


**Detail**



Location of channel for plastic strip

**Step 2**



**Step 1**

Locate the the sewn-in plastic strip along the front edge of the left Quarter Window.

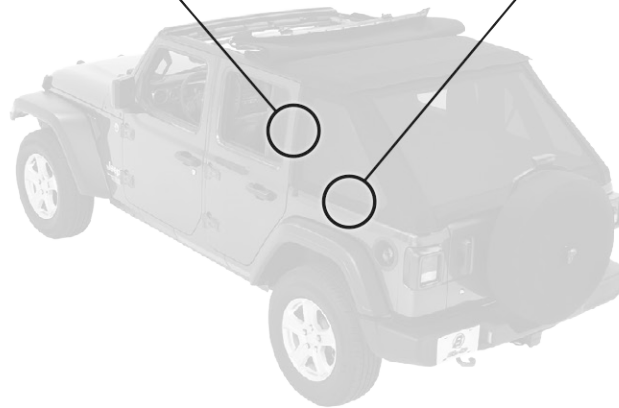
Tuck this plastic strip into the vertical channel along the outside face of the left Rear Door Rail.

See Detail for location of the correct channel.

**Step 2**

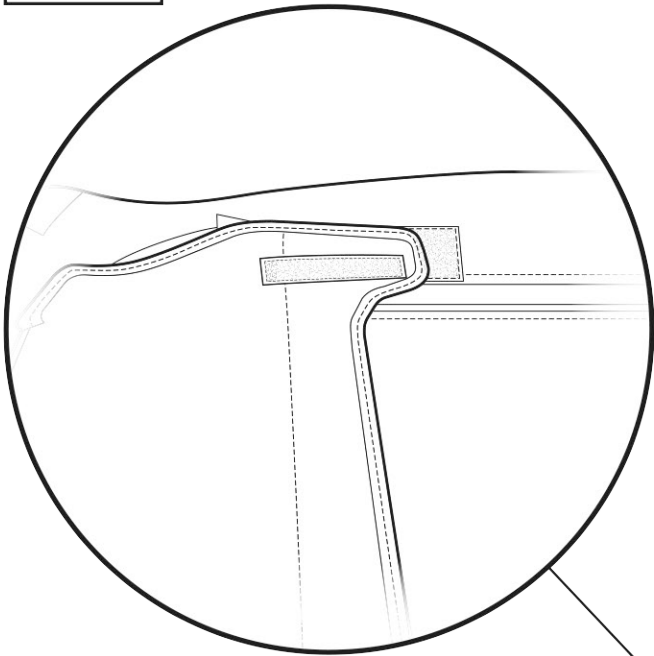
Tuck the plastic strip along the bottom edge of the left Quarter Window under the Jeep belt rail, by rolling it up underneath the belt rail, beginning at the rear, and working your way forward.

Repeat on the right Quarter Window.





## Step 1



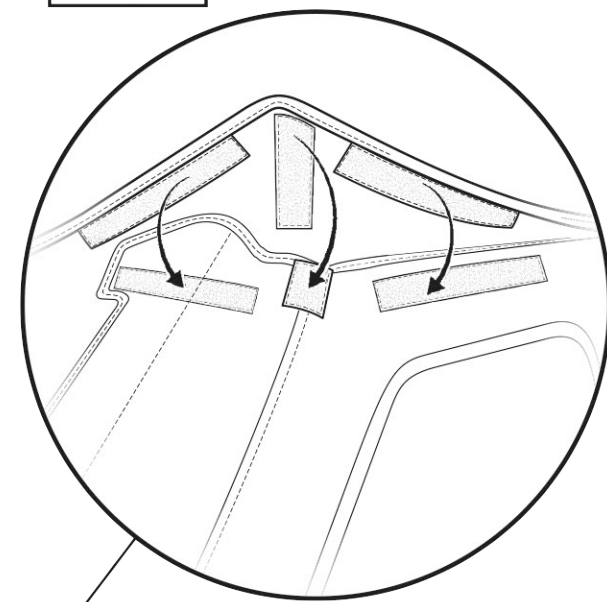
## Step 1

Locate the hook and loop strip at the left rear corner of the top fabric.

Attach the flap at the top corner of the left Quarter Window to the hook and loop strip.

Repeat on the right side of the Jeep.

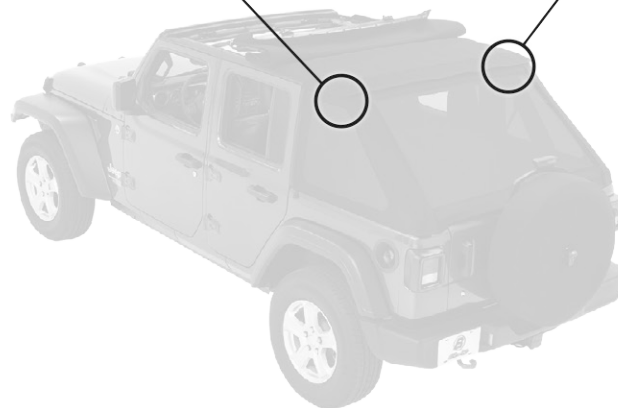
## Step 2



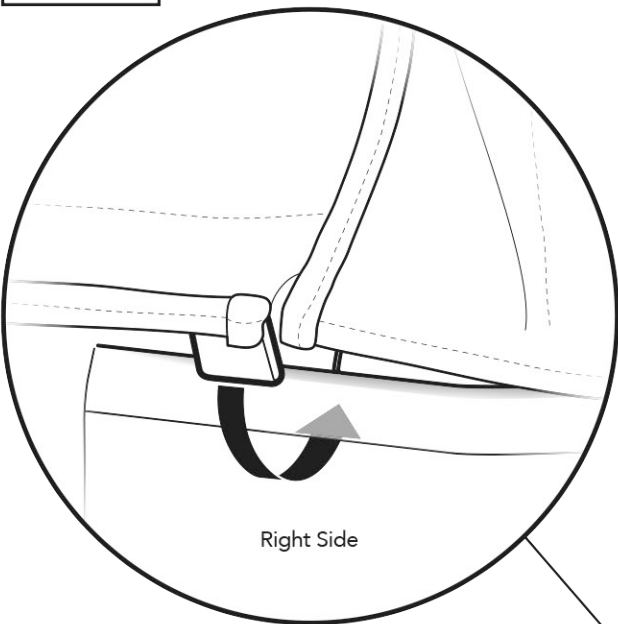
## Step 2

Locate the Hook & Loop strips at the rear corners of the top fabric.

Snug the rear corners of the top by attaching the Hook & Loop strips on the underside of the top fabric to the strips along the top edges of the Quarter Window and Rear Window corners.

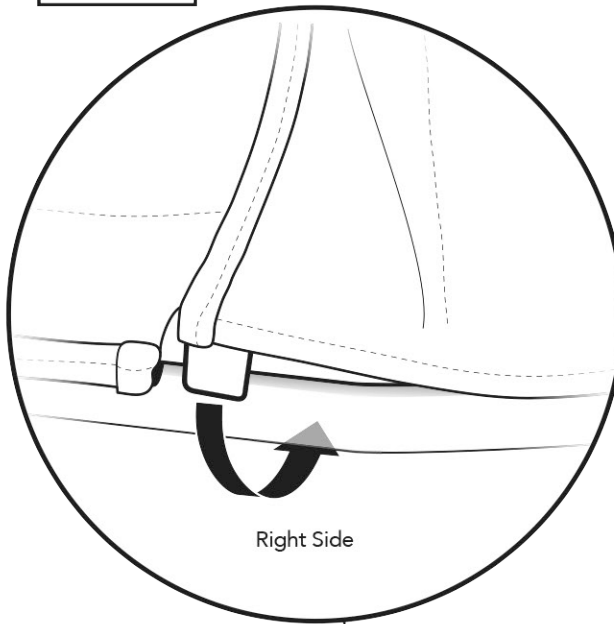


**Step 1**



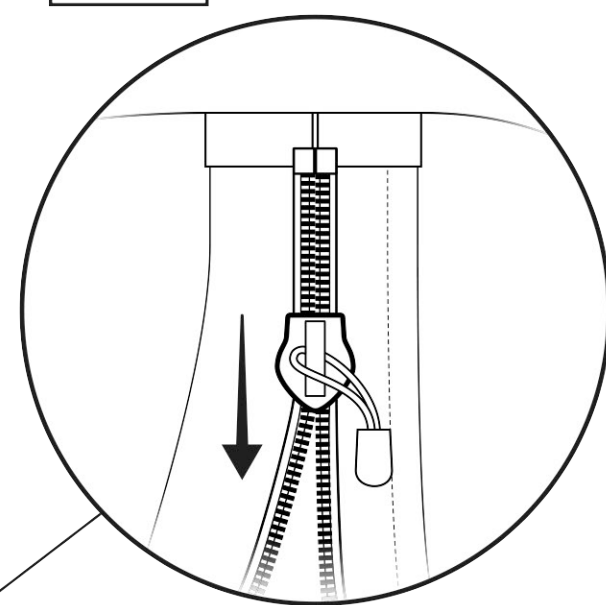
Right Side

**Step 2**



Right Side

**Step 3**



**Step 3**

Finish zipping the Quarter Windows and Rear Window together completely.

**Step 1**

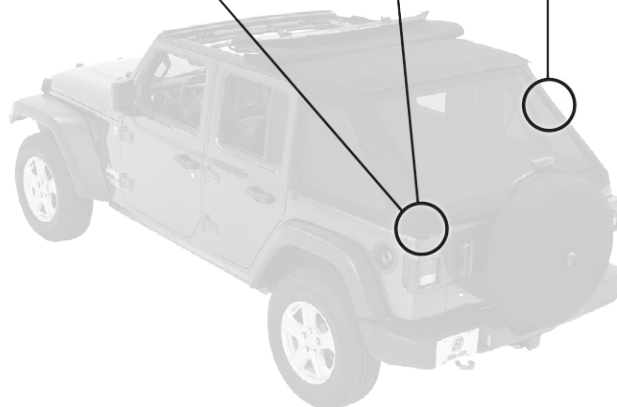
Tuck the plastic tabs at the bottom corners of the Rear Window under the Jeep belt rail.

Roll the tabs up underneath the belt rail.

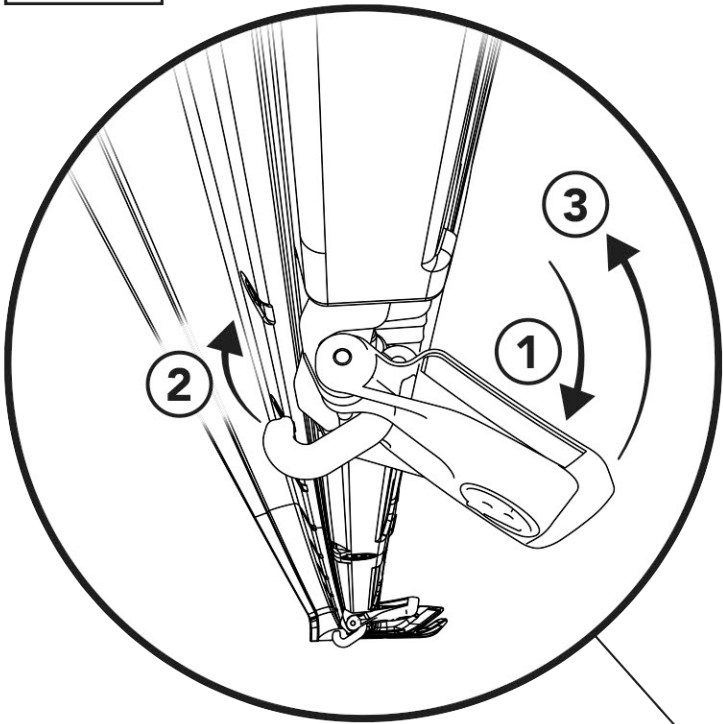
**Step 2**

Tuck the plastic tab at the bottom rear corner of each Quarter Window under the Jeep belt rail.

Roll the tab up underneath the belt rail.



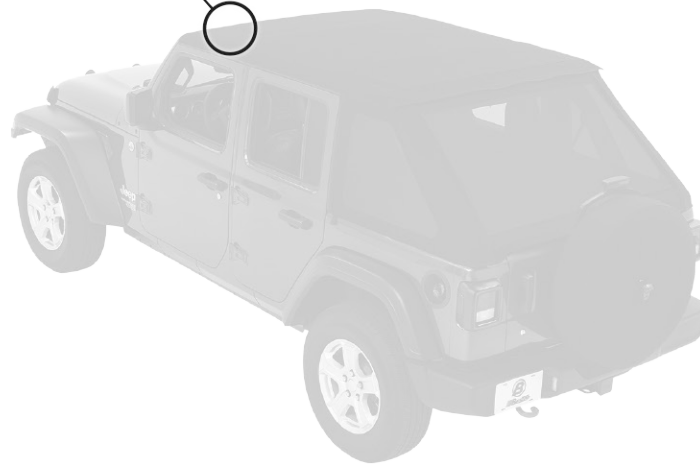
## Step 1



## Step 1

Fold the Sunrider closed and secure both latches to the vehicle's windshield header.

- ① Pivot the latch handle down;
- ② Engage the hook;
- ③ Pivot the latch handle back up.





## Warranty Information Trek Top 4-Door

Vehicle Application:  
Jeep® Wrangler Unlimited JL 2018-Current  
Part Number 56863

### WHAT BESTOP WARRANTS

Subject to the terms and conditions of sale, including any terms and conditions set forth by Bestop, Inc. ("Bestop" or "us" or "we") in our then-current terms of sale on our website (collectively, the "Terms"), Bestop represents and warrants that: the covered products listed in the "Covered Products and Warranty Periods" section (a "Product") will substantially be free from defects in materials and workmanship for the specified warranty periods set forth in that section.

### THE WARRANTY IS LIMITED AND CONDITIONAL

This warranty applies to the original purchaser of the Product only. The warranty is valid only as long as the original retail purchaser owns the vehicle upon which the Product is installed. The warranty expires should the Product be removed from the original vehicle or if the original vehicle is transferred to another owner.

This warranty is not transferable or assignable. The warranty does not apply to Product bought from auction-style or price-bid websites.

THE LIMITED WARRANTY AND STATED REMEDIES ARE SOLE AND EXCLUSIVE AND IN LIEU OF ALL OTHER WARRANTIES AND REMEDIES, AND COMPANY EXPRESSLY DISCLAIMS ALL IMPLIED OR STATUTORY OR OTHER WARRANTIES, INCLUDING WITHOUT LIMITATIONS WARRANTIES OF MERCHANTABILITY, NON-INFRINGEMENT OR FITNESS FOR A PARTICULAR PURPOSE. IN NO EVENT WILL COMPANY BE LIABLE FOR ANY SPECIAL, INCIDENTAL, CONSEQUENTIAL, PUNITIVE, INDIRECT OR EXEMPLARY DAMAGES OF ANY KIND, INCLUDING LOST PROFITS OR REVENUE, HOWEVER CAUSED, WHETHER FOR BREACH OR REPUDIATION OF CONTRACT, TORT, BREACH OF WARRANTY, NEGLIGENCE, OR OTHERWISE, WHETHER OR NOT COMPANY WAS ADVISED OF THE POSSIBILITY OF SUCH LOSS OR DAMAGES.

*Some states do not allow exclusion or limitation, so this may not apply to you. This warranty gives you specific legal rights, and you may have other rights which vary from state to state.*

### EXCLUSIONS TO THE WARRANTY

The Limited Warranty excludes, and Bestop is not liable in any way for any warranty claims, damages, or defects related to:

- Misuse, abuse, accidents, vandalism, negligence, fire, or improper installation or modification, or improper or inadequate maintenance;
- Failure to comply with any Product documentation, Bestop instructions, or applicable law or regulations; use in extreme conditions
- Force Majeure including but not limited to, earthquake, hurricane, tornado, flooding, or other disasters natural or man-made, civil unrest, strikes, declared or undeclared war, or lack of performance by, or discontinued product of, supply chain partners whose products, software, operations or management is beyond the control of Bestop;
- Damage resulting in breakage (including without limitation, spontaneous breakage, accidental breakage or breakage by any other means) of a Product or any component part;
- Damage to vinyl windows due to misuse, or cracking due to varying weather conditions.

### YOUR SOLE REMEDY

During the applicable warranty period, Bestop shall, at its option, either repair or replace any Product that it confirms, in its discretion, is non-compliant with the warranties herein. Bestop will not pay for labor charges associated with installation or removal of the Product. Should a specific Product be discontinued, Bestop may, at its option, replace the discontinued Product with a current product or like product.

Please retain your proof of purchase. Original proof of purchase for the Product must accompany any warranty claim. If you have a warranty claim, first you must email Bestop Customer Service at [csbestop@bestop.com](mailto:csbestop@bestop.com) for instructions. All claims must be emailed to [csbestop@bestop.com](mailto:csbestop@bestop.com) within 30 days of discovery of a defective Product, but in no event later than thirty days after the end of the applicable Warranty Period (the "Warranty Notice Period"). Warranty claims made after the Warranty Notice Period are null and void and Bestop shall have no responsibility with respect to such claims.

THIS SECTION SETS FORTH BESTOP'S SOLE OBLIGATION & YOUR SOLE REMEDY WITH RESPECT TO ANY DEFECTS OR OTHER PRODUCT ISSUE. ANY PRODUCTS REPLACED UNDER TERMS OF THIS WARRANTY WILL BE COVERED UNDER TERMS & BALANCE OF THE DURATION OF THE ORIGINAL LIMITED WARRANTY FOR SUCH PRODUCT.



## Warranty Information Trek Top 4-Door

Vehicle Application:  
Jeep® Wrangler Unlimited JL 2018-Current  
Part Number 56863

**COVERED PRODUCTS AND WARRANTY PERIODS:** The warranty time periods are as follows for Products manufactured by Bestop:

### **BESTOP® LIMITED LIFETIME WARRANTY**

Trektop® Pro Twill Fabric Top Sunrider® for Hardtop Twill Fabric Top  
Trektop® NX Glide Twill Fabric Top Replace-a-Top™ Twill Fabric Top  
Trektop® NX Twill Fabric Top Supertop® NX Twill Fabric Top  
EZFold™ Soft Tonneaus Floor & Cargo Liners  
ZipRail™ Soft Tonneaus Pet Barriers  
EZRoll™ Soft Tonneaus

### **BESTOP® 5-YEAR LIMITED WARRANTY**

Trektop® NX Glide™ Top (non-Twill) Sunrider® for Hardtop (non-Twill) Replace-a-Top™ Top (non-Twill) Trektop® NX Top (non-Twill)  
Sailcloth Replace-a-Top™ Supertop® NX Top (non-Twill)  
Tigertop™ and Halftop™ Supertop® Classic Soft Top Sunrider® Complete Soft Top Supertop® for Truck  
EZ Fold Hard Tonneau

### **BESTOP® 3-YEAR/100K MILES LIMITED WARRANTY**

Powerboard® & Powerboard® NX  
Trekstep®, Side Mount  
Trekstep®, Rear Mount

### **BESTOP® 3-YEAR LIMITED WARRANTY**

Pavement Ends Sprint Top

### **BESTOP® 2-YEAR LIMITED WARRANTY**

Trektop® Classic Soft Top  
RoughRider™ Soft Storage

### **BESTOP® 1-YEAR LIMITED WARRANTY**

All other Bestop® & Pavement Ends™ products not specified above.

**For further information or request for warranty work, please contact:**

**Bestop Inc. Customer Service**

**Toll-Free: (800)845-3567**

**Main: (303)465-1755**

**E-mail: [csbestop@Bestop.com](mailto:csbestop@Bestop.com)**

**Website: [www.Bestop.com](http://www.Bestop.com)**