



Installation Instructions Supertop JL 4 Door

Vehicle Application:
Jeep® Wrangler Unlimited JL 2018-Current
Part Number 54726

Installation Tips

Before you begin installing your new Supertop, please read all the instructions thoroughly.

For easier installation, the top should be installed at a temperature above 72° F. Below this temperature, the fabric may contract making it difficult to fit the vehicle.

WARNING Do not rely in any way on the components of this product to protect against injury or death in the event of an accident. Never operate the vehicle in excess of manufacturer's specifications. Read and follow, precisely, all installation instructions provided when installing this product. Failure to do so may result in a poor fit and could place occupants of the vehicle in a potentially dangerous situation.



CAUTION Safety glasses should be worn at all times when installing this product.

WEAR SEAT BELTS AT ALL TIMES

Tools			
Safety Glasses	T30 - T40 - T45 Torx Drivers	Slotted Screwdriver	#2 Phillips Screwdriver
		- OR -	
3mm, 4mm and 5mm Allen Wrenches	Torque Wrench	Socket Wrench	8mm - 13mm Sockets

Installation Time
4 hours
Skill Level
<div style="display: flex; justify-content: space-around; align-items: center;"> 1 2 3 4 </div> <p>3 - Moderately Difficult</p>

Support
<p>We're here to help! Go to: https://www.bestop.com and click on Need Help?</p>
<p>https://www.bestop.com/video-library</p>



Installation Instructions Supertop JL 4 Door

Vehicle Application:
Jeep® Wrangler Unlimited JL 2018-Current
Part Number 54726

Sugerencias de Instalación

Antes de empezar a instalar esta unidad, lea atentamente todas las instrucciones.

Para un buen ajuste:

Para facilitar la instalación, el producto debe instalarse a temperaturas superiores a 72 °F (22 °C).

Por debajo de esta temperatura, la tela puede encogerse una pulgada o más, lo que dificultaría su ajuste al vehículo.

Es normal que la tela se contraiga o arrugue cuando está guardada en la caja de empaque. A los pocos días después de la instalación, la tela se relajará y las arrugas desaparecerán.



ADVERTENCIA

Este producto se diseñó principalmente para mejorar la apariencia del vehículo y proteger a los ocupantes de las condiciones climáticas comunes. De ninguna manera piense que los componentes de este producto pueden servir como medio de contención para los ocupantes del vehículo o que pueden protegerlos contra lesiones o la muerte en caso de accidente. Este producto no protegerá a los ocupantes contra caídas de objetos. Nunca conduzca este vehículo fuera de las especificaciones del fabricante.

USE LOS CINTURONES DE SEGURIDAD EN TODO MOMENTO

Lea y siga con precisión todas las instrucciones de instalación que se proporcionan para instalar este producto. Si no lo hace, podría producirse un mal ajuste que colocaría a los ocupantes del vehículo en una situación potencialmente peligrosa.



PRECAUCIÓN

Debe usar gafas protectoras en todo momento durante la instalación de este producto.

Conseils pour l'installation

Lire toutes les instructions au complet avant de commencer l'installation de cet assemblage.

Pour un ajustement sans problème :

Afin de faciliter l'installation, ce produit doit être installé à des températures au-dessus de 72 °F (22 °C).

Sous cette température, le tissu peut rétrécir d'un pouce (2,5 cm) ou plus, ce qui rendra l'ajustement sur le véhicule difficile.

Il est normal que le tissu rétrécisse et plisse pendant qu'il est dans la boîte d'expédition. En quelques jours après l'installation, le tissu se détendra et les plis disparaîtront.



AVERTISSEMENT

Ce produit est conçu principalement pour améliorer l'apparence du véhicule et pour protéger les occupants des conditions météorologiques usuelles. Ne jamais se fier aux composants de ce produit pour se protéger de blessures ou de la mort en cas d'accident. Ce produit ne protégera pas les occupants des chutes d'objets. Ne jamais utiliser le véhicule au-delà des caractéristiques techniques indiquées par le fabricant.

PORTER UNE CEINTURE DE SÉCURITÉ EN TOUT TEMPS

Lire et suivre, très fidèlement, toutes les instructions d'installation fournies lors de l'installation de ce produit. Ne pas suivre cette consigne peut causer une installation inadéquate et mettre les occupants du véhicule dans une situation potentiellement dangereuse.



MISE EN GARDE

Des lunettes de sécurité doivent être portées en tout temps lors de l'installation de ce produit.



Installation Instructions Supertop JL 4 Door

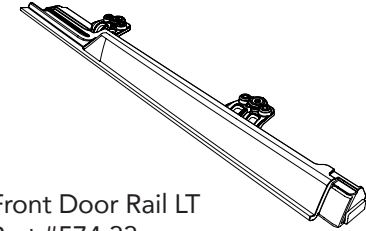
Vehicle Application:
Jeep® Wrangler Unlimited JL 2018-Current
Part Number 54726



Upper Rear Door Rail
Part #574.42 - Right
Qty. 1



Upper Rear Door Rail
Part #574.43 - Left
Qty. 1



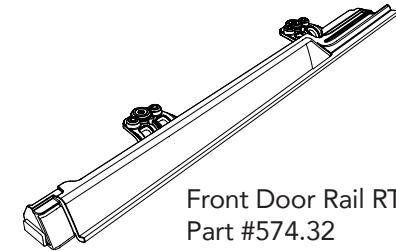
Front Door Rail LT
Part #574.33
Qty. 1



Lower Rear Door Rail
Part #574.46 - Right
Qty. 1

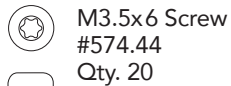


Lower Rear Door Rail
Part #574.47 - Left
Qty. 1

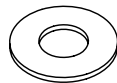


Front Door Rail RT
Part #574.32
Qty. 1

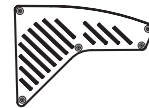
Parts Kit #574.62



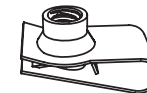
M3.5x6 Screw
#574.44
Qty. 20



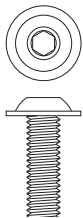
M8 Flat Washer
#515.84
Qty. 2



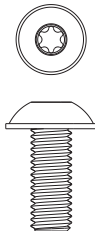
Upper Rear
Door Rail Grille
#578.96
Qty. 2



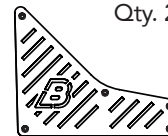
M6 U-Clip
#537.49
Qty. 4



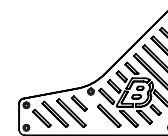
M6x20mm
Flanged Button Head
Cap Screw
#517.48
Qty. 4



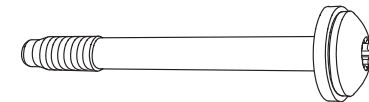
M8x1.25x20mm
Flanged Button Head
Cap Screw
#573.09
Qty. 2



Lower Rear
Door Rail Grille
#579.01 - Left
Qty. 1



Lower Rear
Door Rail Grille
#579.00 - Right
Qty. 1

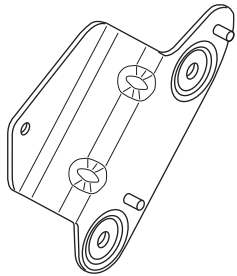


M8x1.25x80
Screw
#532.23
Qty. 8

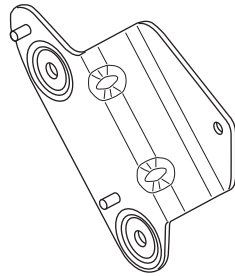


Installation Instructions Supertop JL 4 Door

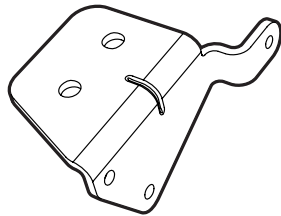
Vehicle Application:
Jeep® Wrangler Unlimited JL 2018-Current
Part Number 54726



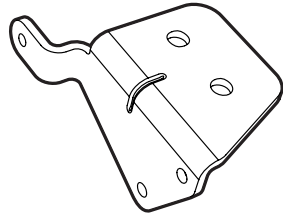
#6 Bow Support Bracket
Part #614.96



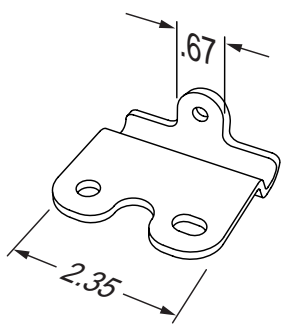
#6 Bow Support Bracket
Part #614.97 - Left
Qty. 1



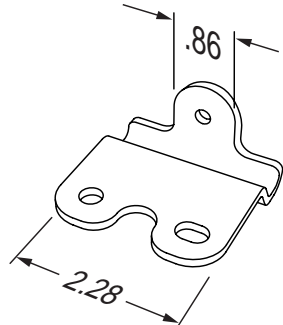
#4 Bow Bracket
Part #576.30 - Right
Qty. 1



#4 Bow Bracket
Part #576.31 - Left
Qty. 1



Side Bow Pivot Bracket
Part #579.96
Qty. 2



#2 Bow Pivot Bracket
Part #579.95
Qty. 2

Parts Kit #630.07P



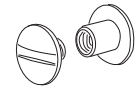
M8x1.25
Nylon Lock Nut
#434.12
Qty. 4



M5 Nylon Lock Nut
#526.76
Qty. 8



M8 Flat Washer
#515.84
Qty. 4



Screw, Binding
Barrel
Part #599.01
Qty. 2



Plastic Bushing
#473.40
Qty. 16



M5 Flat Washer
#565.90
Qty. 16



M6 Flat Washer
#515.81
Qty. 12



Loctite Capsule
Part #309.83
Qty. 1



SCREW, Pivot Knuckle
Part #308.65
Qty. 6



Grommet 7/16"
Part #543.75
Qty. 2



M8x1.25x28
Screw
#534.24
Qty. 4



SCREW, Sheet Metal
Part #393.79
Qty. 17



M8x1.25x20
Button Head
Socket Cap Screw
#431.59
Qty. 4



M6x1x14
Button Head
Socket Cap Screw
#517.63
Qty. 18



M8x1.25x38
Button Head
Socket Cap Screw
#532.17
Qty. 2

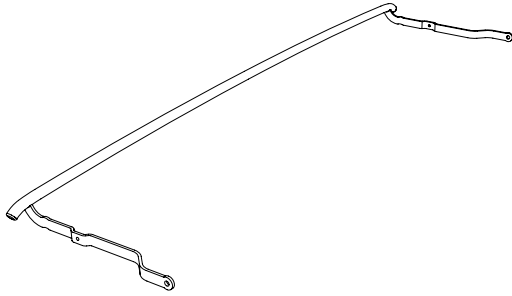


M5x0.8x25
Button Head
Socket Cap Screw
#579.60
Qty. 8

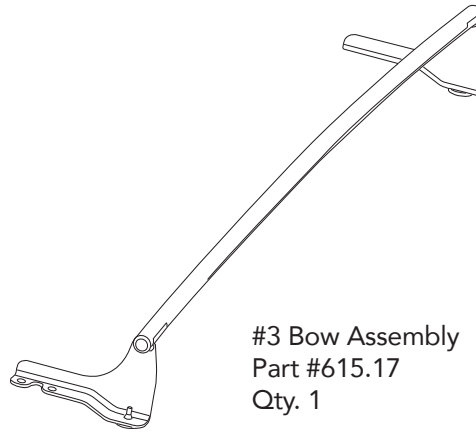


Installation Instructions Supertop JL 4 Door

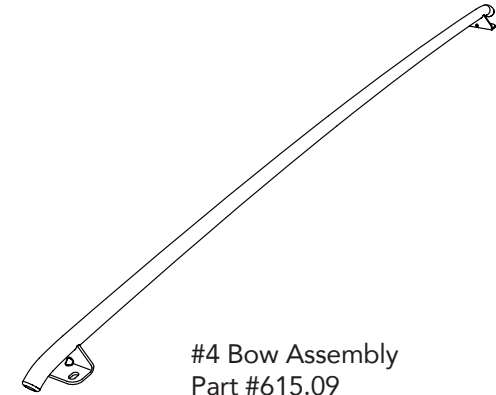
Vehicle Application:
Jeep® Wrangler Unlimited JL 2018-Current
Part Number 54726



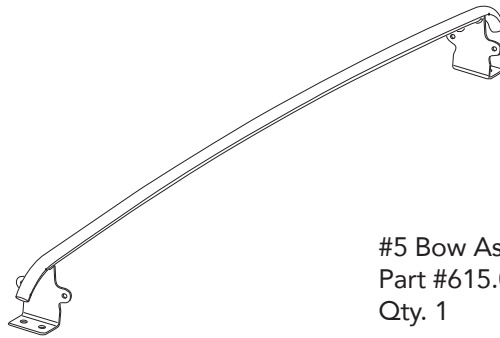
#2 Bow Assembly
Part #615.97
Qty. 1



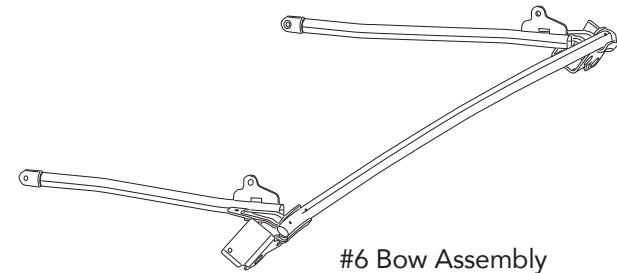
#3 Bow Assembly
Part #615.17
Qty. 1



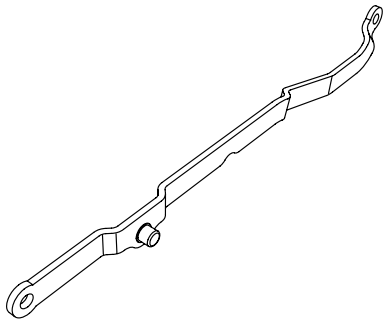
#4 Bow Assembly
Part #615.09
Qty. 1



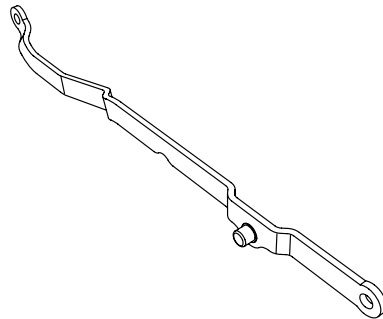
#5 Bow Assembly
Part #615.04
Qty. 1



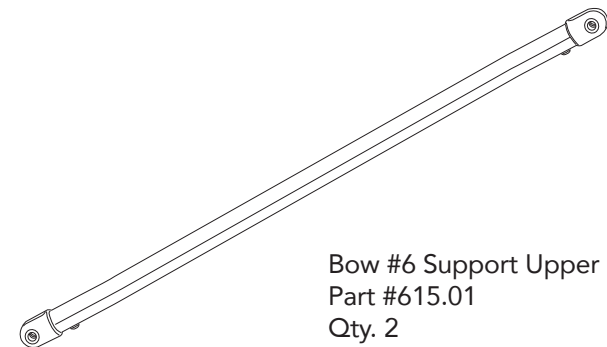
#6 Bow Assembly
Part #614.94
Qty. 1



#2 Bow Link Assembly
Part #576.15 - Left
Qty. 1



#2 Bow Link Assembly
Part #576.16 - Right
Qty. 1

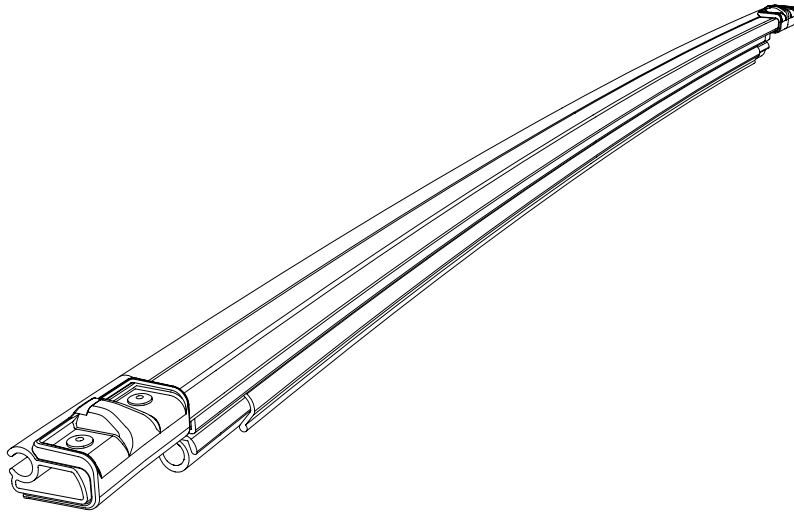


Bow #6 Support Upper
Part #615.01
Qty. 2

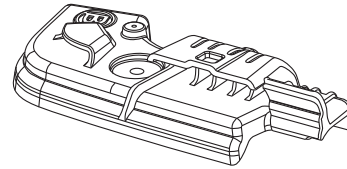


Installation Instructions Supertop JL 4 Door

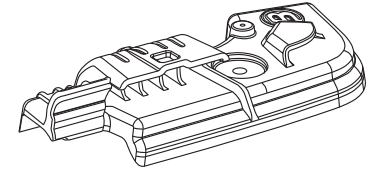
Vehicle Application:
Jeep® Wrangler Unlimited JL 2018-Current
Part Number 54726



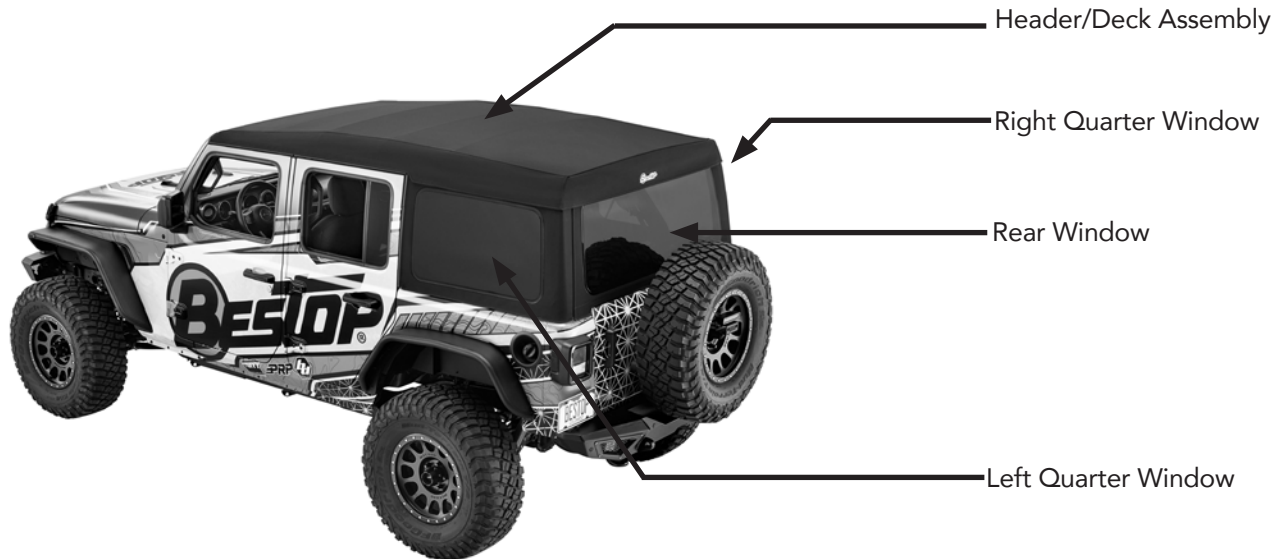
Tailgate Bar
Part #575.33
Qty. 1



Tailgate Bar Retainer
Part #575.39 - Left
Qty. 1



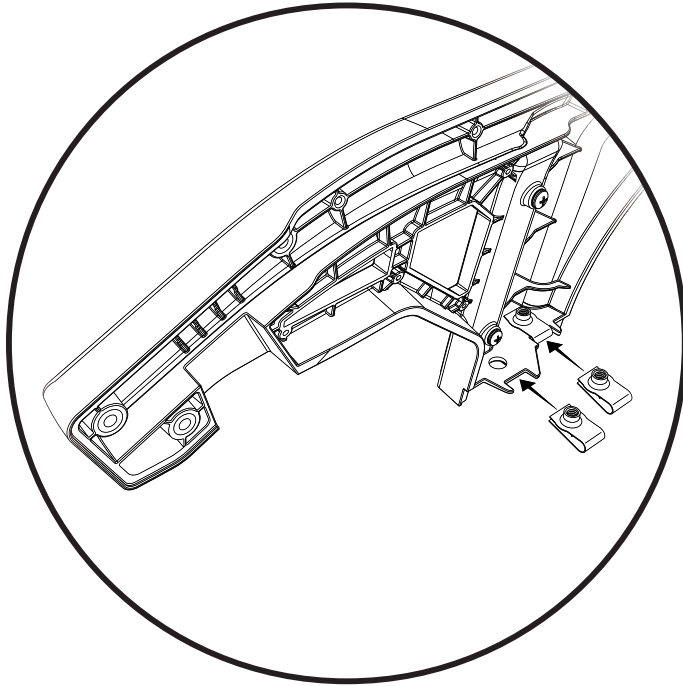
Tailgate Bar Retainer
Part #575.38 - Right
Qty. 1



Tools

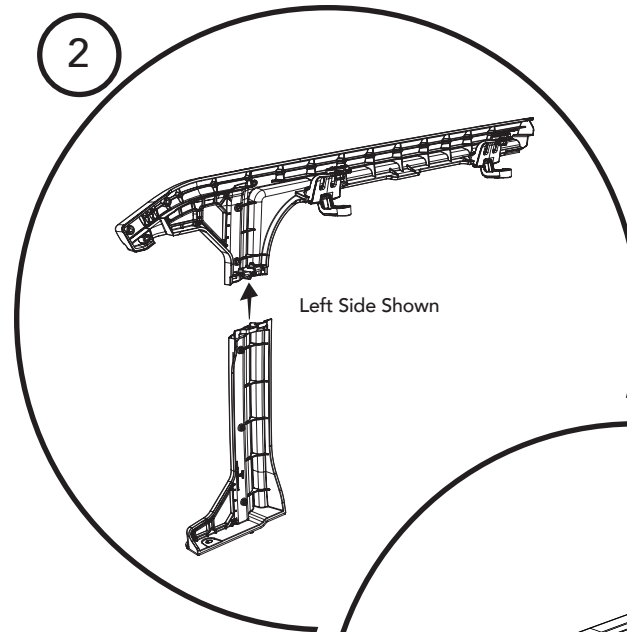


1

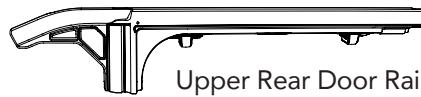


Attach the two (2) U-Clips to the Upper Rear Door Rails in the positions indicated. Make sure to have the threaded barrel of each U-Clip facing up.

2



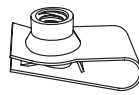
Parts



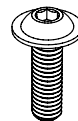
Upper Rear Door Rail
Part #574.42 - Right
Part #574.43 - Left
Qty. 1 of each



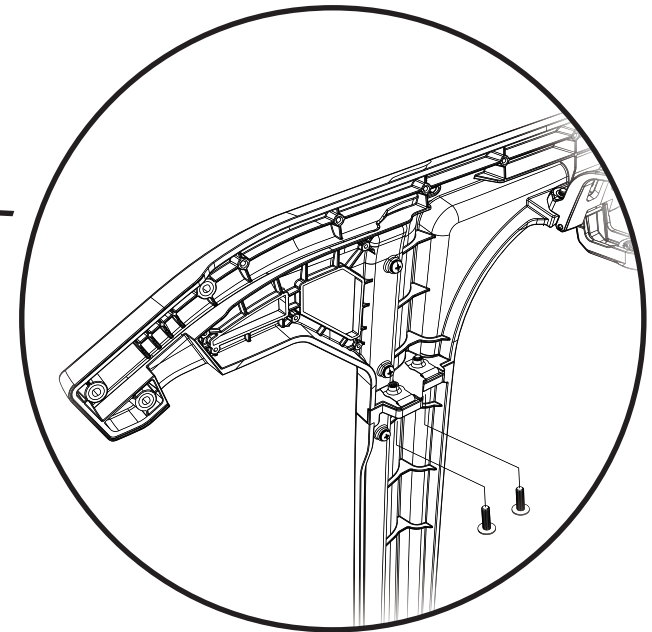
Lower Rear Door Rail
Part #574.46 - Right
Part #574.47 - Left
Qty. 1 of each



M6 U-Clip
#537.49
Qty. 4



M6x20mm
Flanged Button Head
Cap Screw
#517.48
Qty. 4



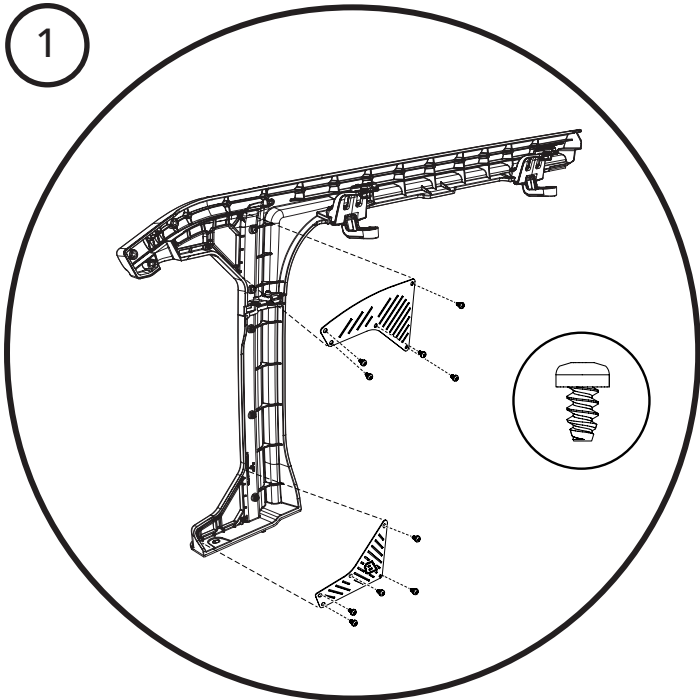
Attach the Upper Rear Door Rail (Left) to the Lower Rear Door Rail (Left).

Use two (2) Flanged Button Head Cap Screws (can be found in Small Parts Kit #574.62).

Screws thread up from the bottom into the U-Clips.

Repeat on Right Side Door Rails.

Tools

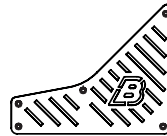


Attach the Upper Rear Door Rail Grilles to each Rear Door Rail Assembly using five (5) M3.5 x 6mm screws for each grille. These grilles are the same on each side.

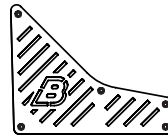
Attach the Lower Rear Door Grille to the Left Rear Door Rail Assembly, using five (5) M3.5 x 6mm screws for each grille.

Repeat on the Right Side Rear Door Rail Assembly.

Parts



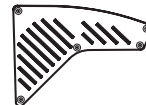
Lower Rear Door Rail Grille #579.00 - Right Qty. 1



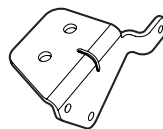
Lower Rear Door Rail Grille #579.01 - Left Qty. 1



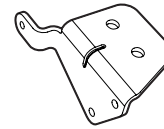
M3.5x6mm Screw #574.44 Qty. 20



Upper Rear Door Rail Grille #578.96 Qty. 2



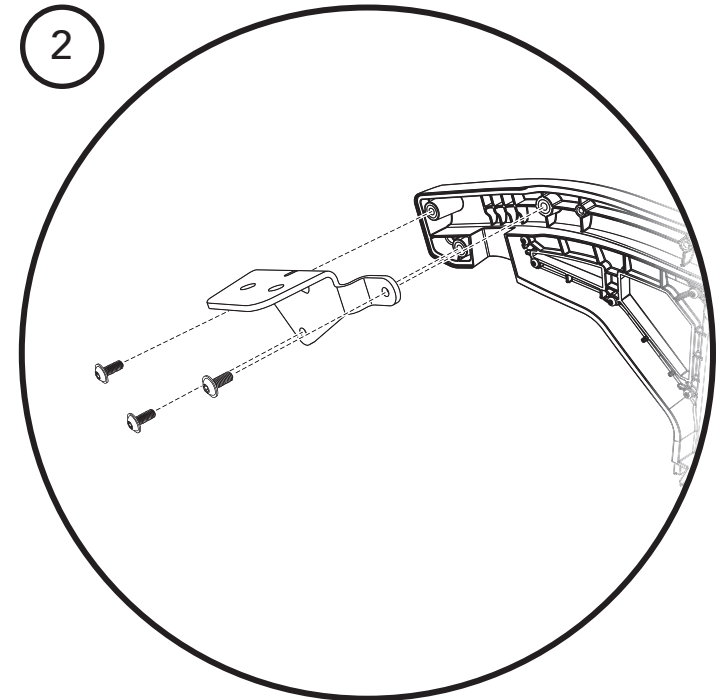
#4 Bow Bracket Part #576.30 - Right Qty. 1



#4 Bow Bracket Part #576.31 - Left Qty. 1

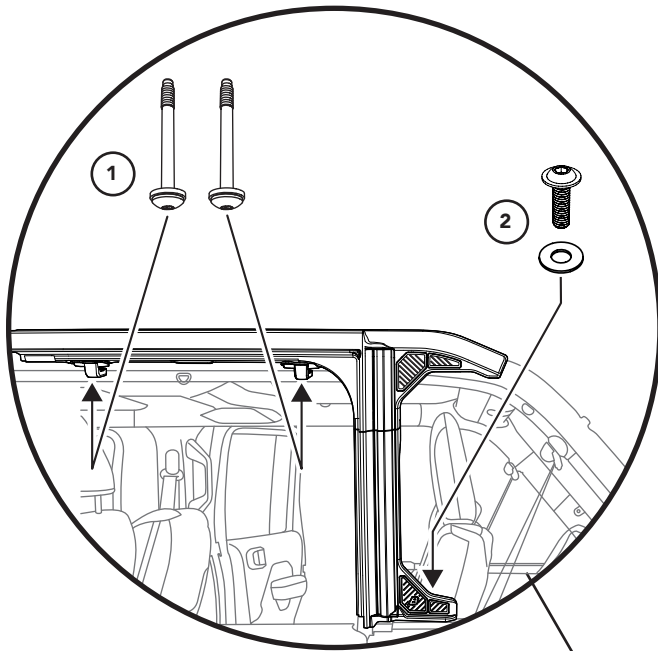


M6x14 Button Head Socket Cap Screw #517.63 Qty. 6



Attach the #4 Bow Bracket Left to the Left Side Door Rail Assembly using three (3) M6 x 1 x 14 Button Head Socket Cap Screws.

Repeat on the Right Side Rear Door Rail Assembly.



Attach the Rear Door Rail Assemblies to the Jeep. Place each Rear Door Rail Assembly onto the Jeep just behind the rear door.

Align the hole in the lower portion of the Assembly with the threaded hole in the Jeep belt rail, the alignment pin on the bottom of the Assembly with the receiving hole in the top of the belt rail, and the two integral brackets along the top of the Assembly with the through-holes in the Jeep Sport Bar.

① Insert two (2) M8x1.25x80 Screws up from the bottom of the integral brackets and tighten to 55 in/lb (4.5 ft/lb).

② Use one (1) M8x1.25x20 screw and one (1) M8 Flat Washer on each assembly to secure the Assembly to the vehicles belt rail.

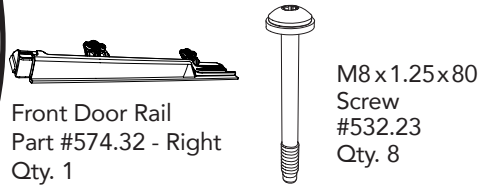
Tools



Torque Wrench

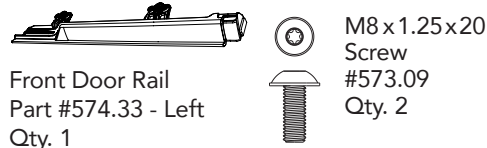
T40 Torx Driver

Parts



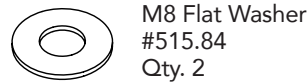
Front Door Rail Part #574.32 - Right Qty. 1

M8x1.25x80 Screw #532.23 Qty. 8



Front Door Rail Part #574.33 - Left Qty. 1

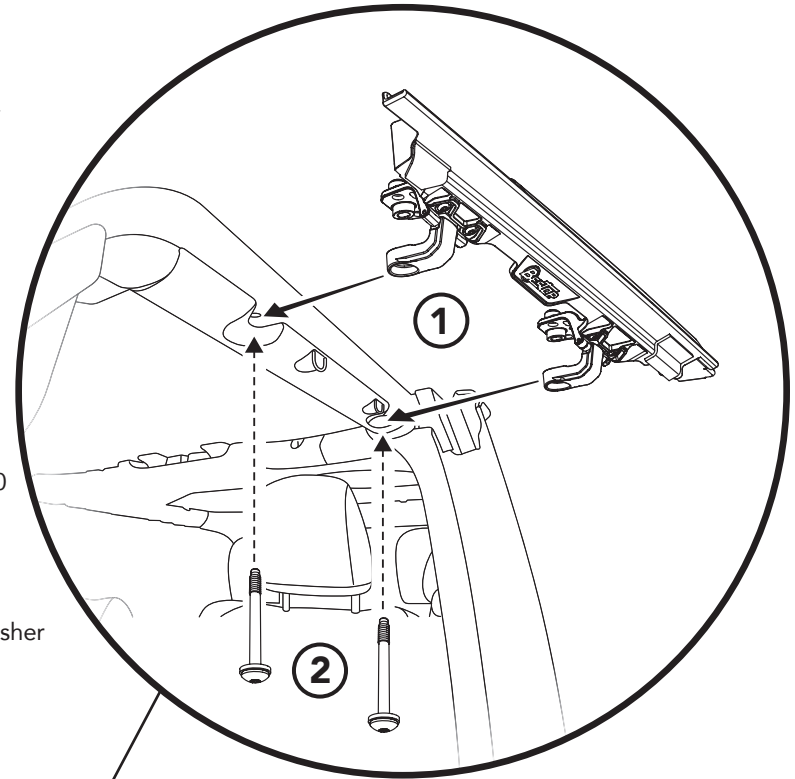
M8x1.25x20 Screw #573.09 Qty. 2



M8 Flat Washer #515.84 Qty. 2



Rear Door Rail Assemblies Qty. 2



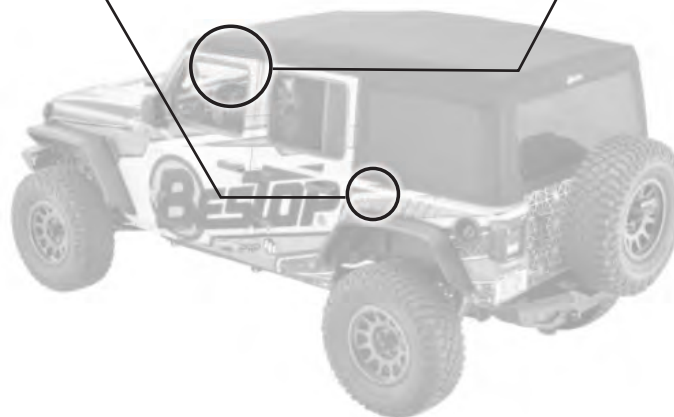
Attach the Front Door Rails to the Jeep.

① Place each Front Door Rail on the Jeep, aligning the rail brackets with the through-holes in the Jeep sport bar.

② Secure each Front Door Rail to the sport bar using two (2) M8x1.25x80 Socket Cap Screws.

Insert the screws from the bottom and tighten to 55 in/lb (4.5 ft/lb)

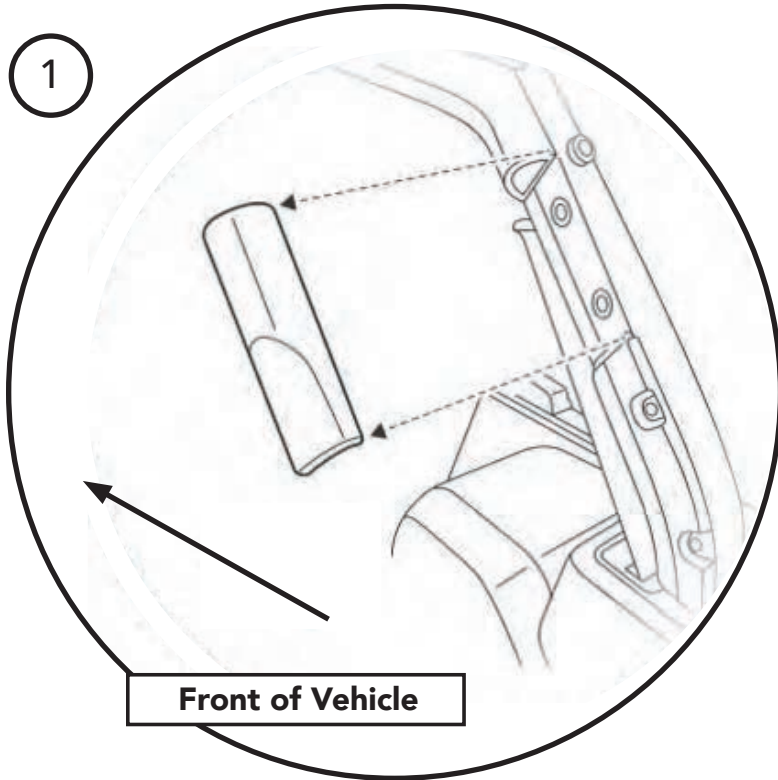
Note: To prevent over torquing, Use a Screwdriver type Torx driver if a torque wrench is not available.



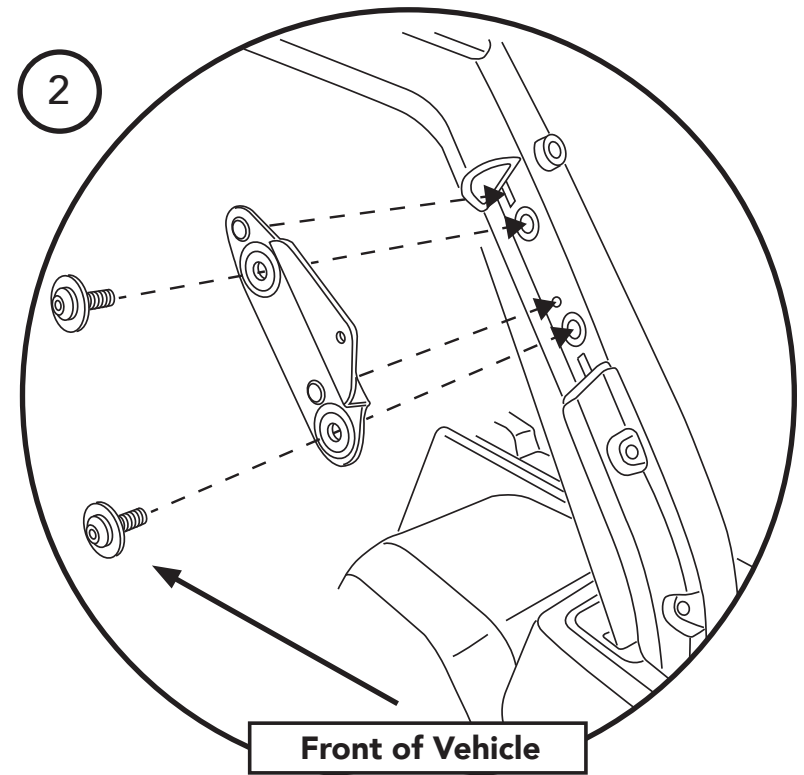
Tools



T40 Torx Driver

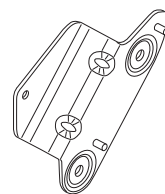


Snap off the trim panels on the rear down tubes of the sport bar.

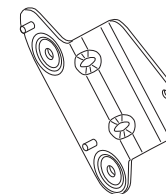


Attach the #6 Bow Support brackets to the sport bar down tubes. Place one pin in the small hole above the lower threaded insert in the sport bar and place the other pin in the screws slot above the upper threaded insert. Secure with two (2) M8 x 28 mm screws. (534.24)

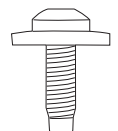
Parts



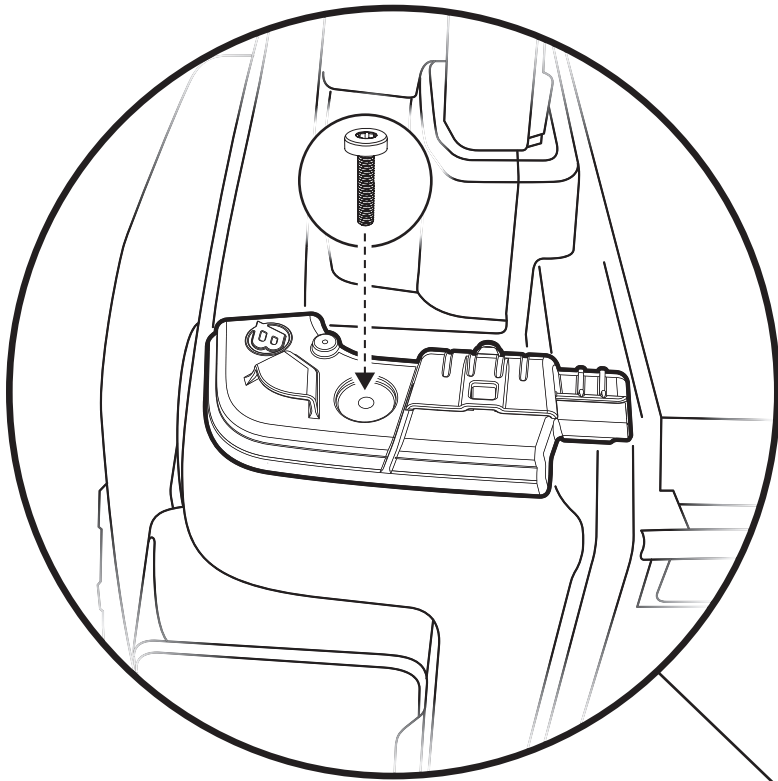
#6 Bow Support Bracket
Part #614.96 - Right
Qty. 1



#6 Bow Support Bracket
Part #614.97 - Left
Qty. 1



M8x1.25x28
Screw
#534.24
Qty. 4

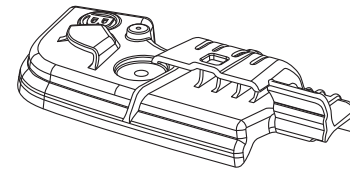


Tools

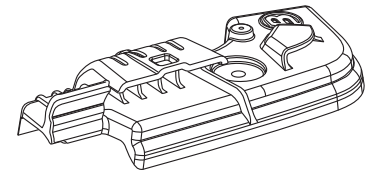


T45 Torx Driver

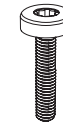
Parts



Tailgate Bar Retainer
Part #573.39 - Left
Qty. 1



Tailgate Bar Retainer
Part #575.38 - Right
Qty. 1

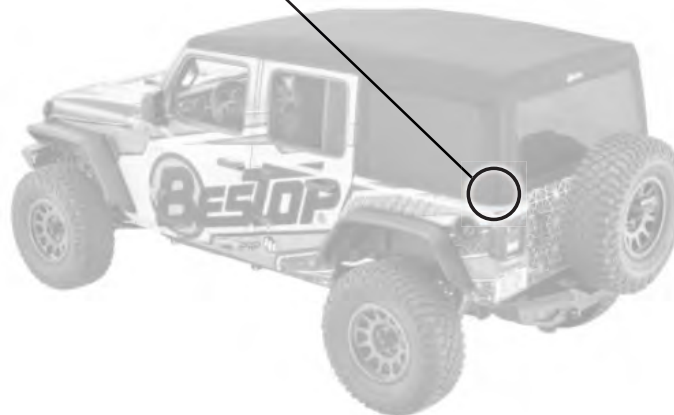


M8x1.25x38
Button Head
Socket Cap Screw
#532.17
Qty. 2

Attach the Tailgate Bar Retainer to the Jeep Belt Rail, using one (1) M8x1.25x38 Button Head Socket Cap Screw per retainer.

Insert the screws through the retainers, and into threaded holes in the top of the Jeep belt rail, and tighten.

Repeat on the right side of the vehicle.



Tools



13mm
Wrench - OR -



Socket
Wrench

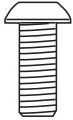


13mm
Socket

Parts



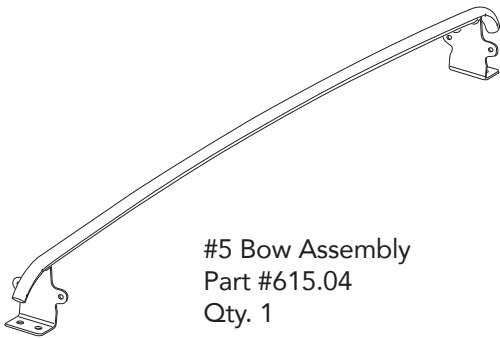
M8 Flat Washer
#515.84
Qty. 4



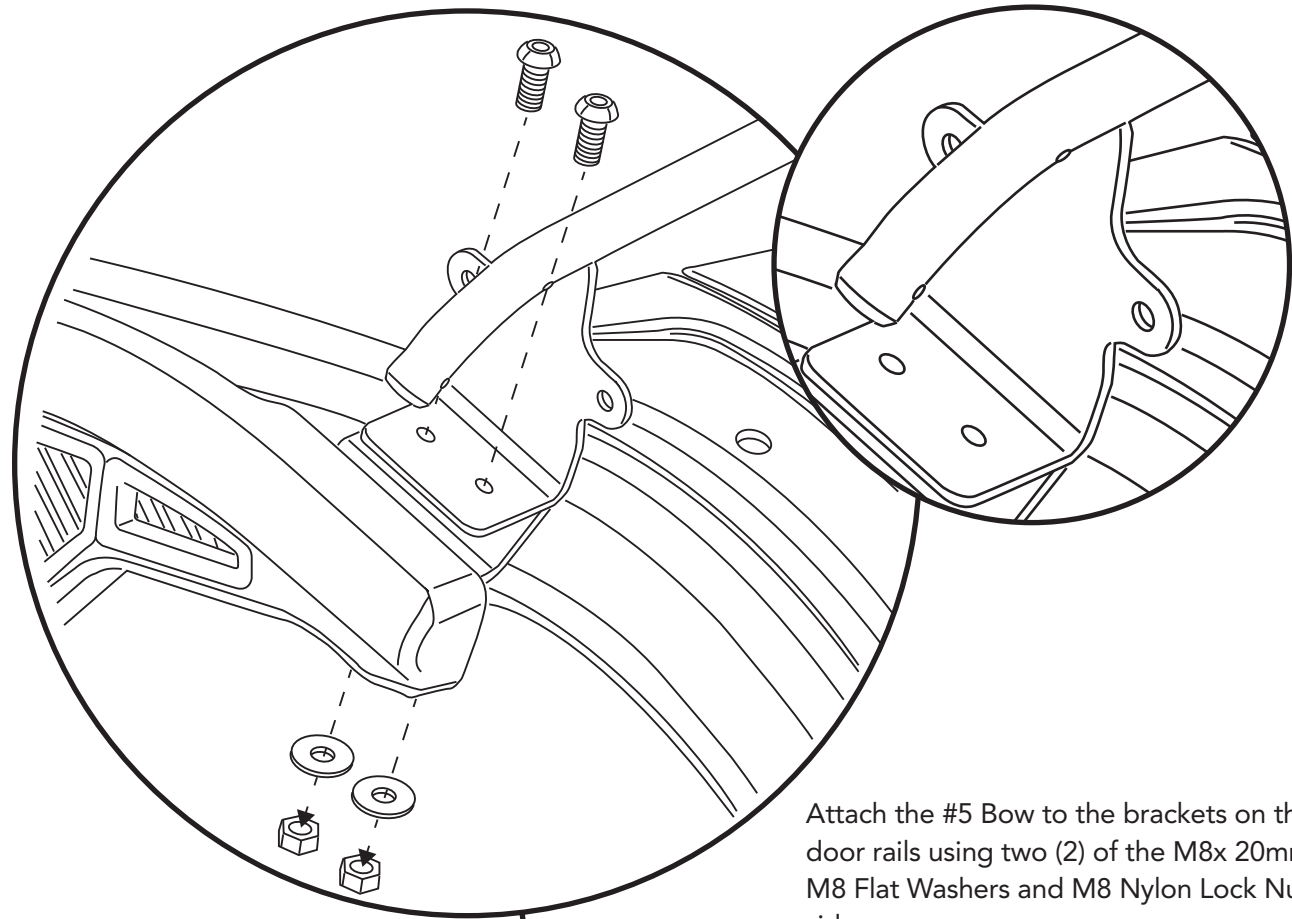
M8x1.25x20
Button Head
Socket Cap Screw
#431.59
Qty. 4



M8x1.25
Nylon Lock Nut
#434.12
Qty. 4



#5 Bow Assembly
Part #615.04
Qty. 1



Attach the #5 Bow to the brackets on the rear door rails using two (2) of the M8x 20mm Screws, M8 Flat Washers and M8 Nylon Lock Nuts per side.



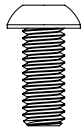
Tools



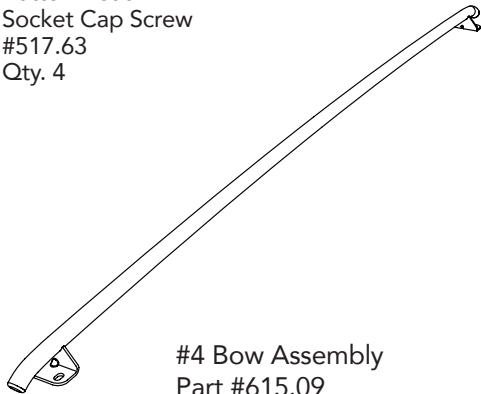
Parts



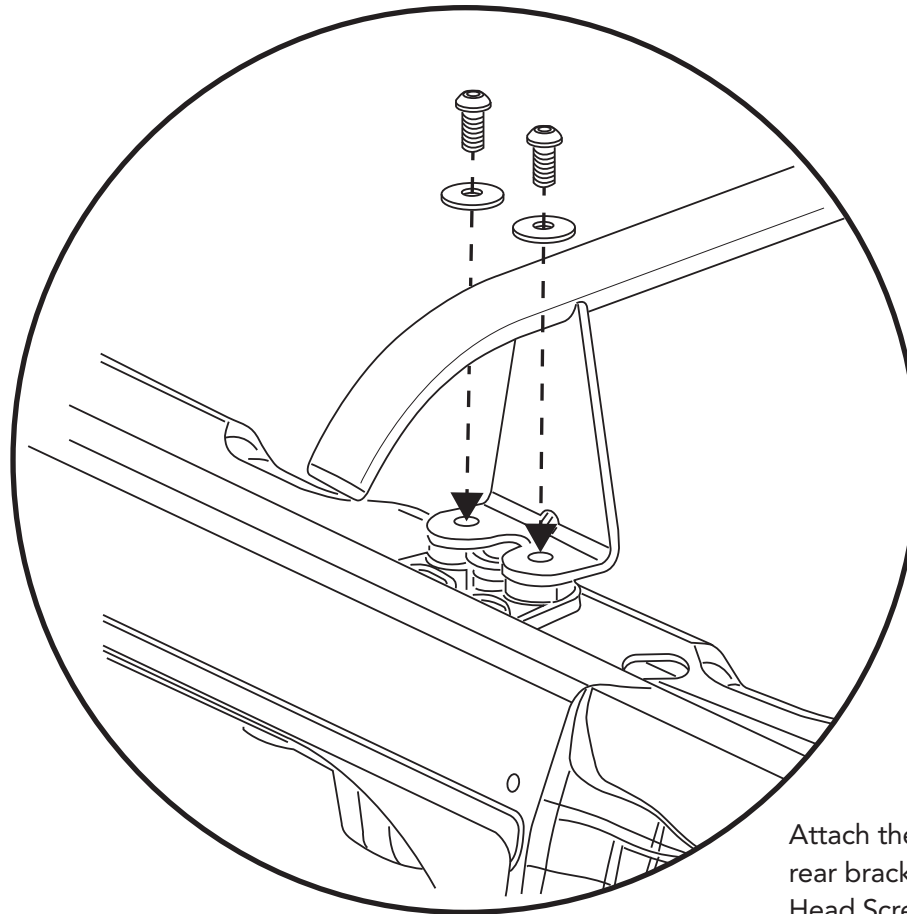
M6 Flat Washer
#515.81
Qty. 4



M6x14
Button Head
Socket Cap Screw
#517.63
Qty. 4



#4 Bow Assembly
Part #615.09
Qty. 1



Attach the #4 Bow to the top of the rear door rails rear brackets using two (2) M6 x 14mm Button Head Screws and two (2) M6 Flat Washers on each side.

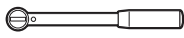


Tools



8mm
Wrench

- OR -



Socket
Wrench

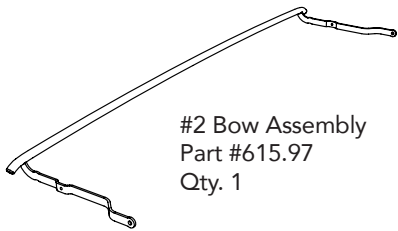


8mm
Socket

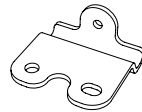


3mm Allen
Wrench

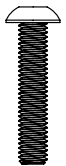
Parts



#2 Bow Assembly
Part #615.97
Qty. 1



#2 Bow Pivot
Bracket
Part #579.95
Qty. 2



M5x0.8x25
Button Head
Socket Cap Screw
#579.60
Qty. 2



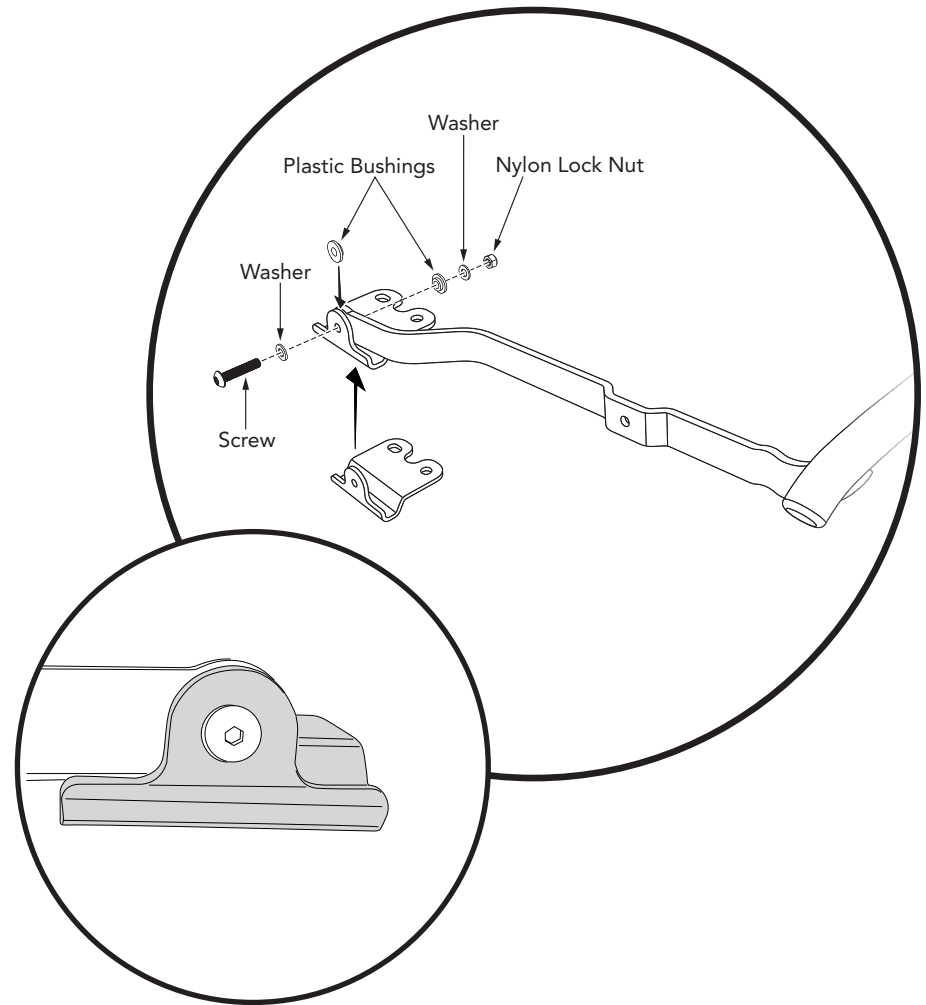
Plastic Bushing
#473.40
Qty. 4



M5 Flat Washer
#565.90
Qty. 4



M5 Nylon Lock Nut
#526.76
Qty. 2



Attach the #2 Bow Pivot Brackets to the #2 Bow.

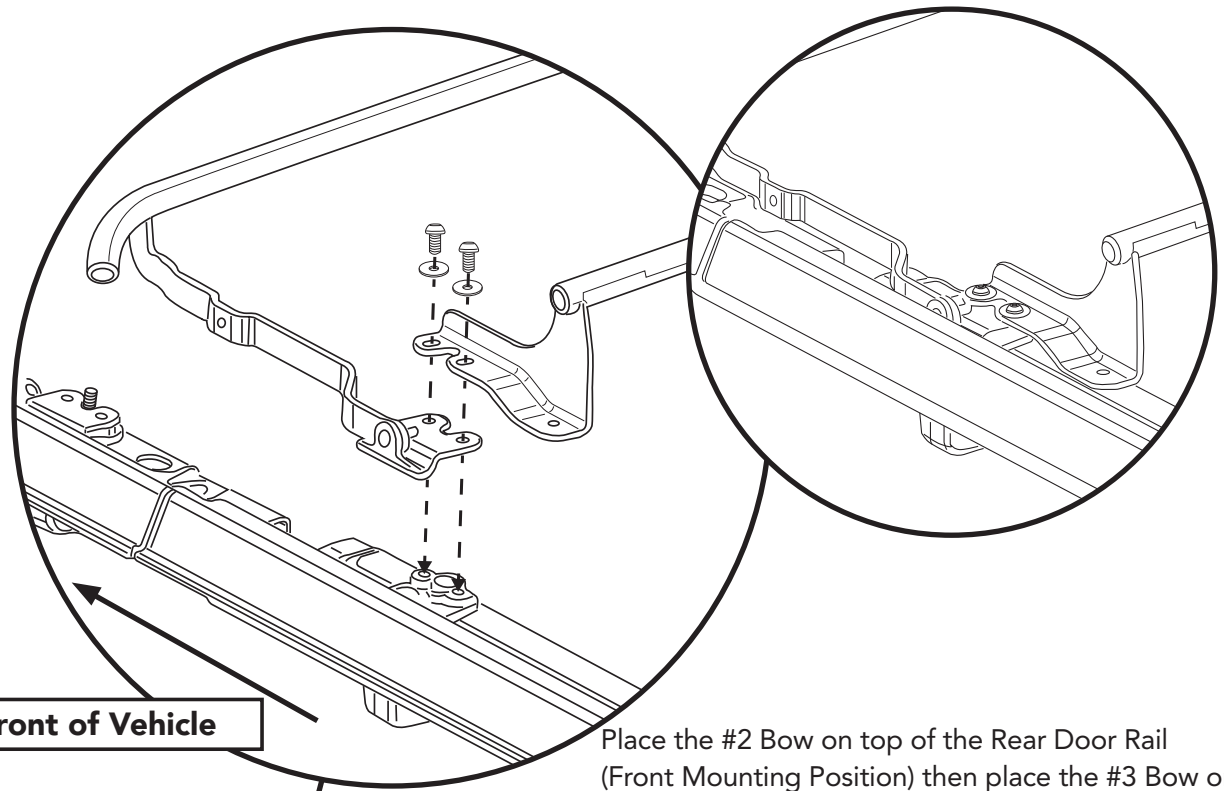
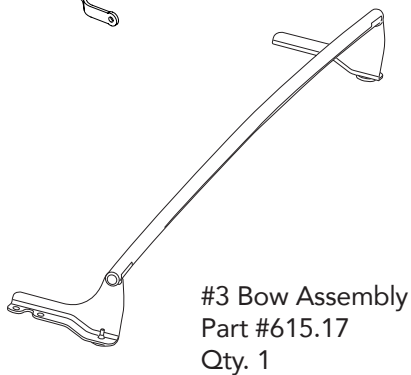
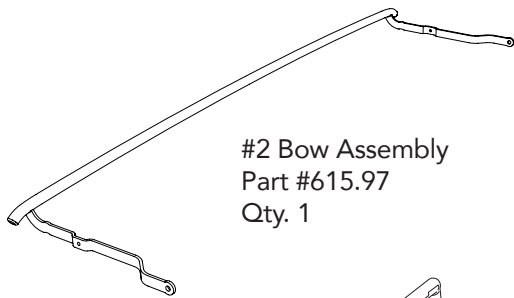
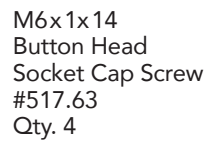
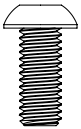
The Brackets attach to the end of each #2 Bow leg using one (1) M5x0.8x25 Button Head Socket Cap Screw, two (2) Bushings, two (2) M5 Flat Washers and one (1) M5 Nylon Lock Nut on each Side Bow Leg.

The Plastic Bushings go directly on either side of the Side Bow legs, with the larger hole.

Tools



Parts



Front of Vehicle

Place the #2 Bow on top of the Rear Door Rail (Front Mounting Position) then place the #3 Bow on top of the #2 Bow mounting Brackets. Attach with two (2) M6 x 14mm Button Head Screws and M6 Flat Washers per side.





Tools



8mm Wrench

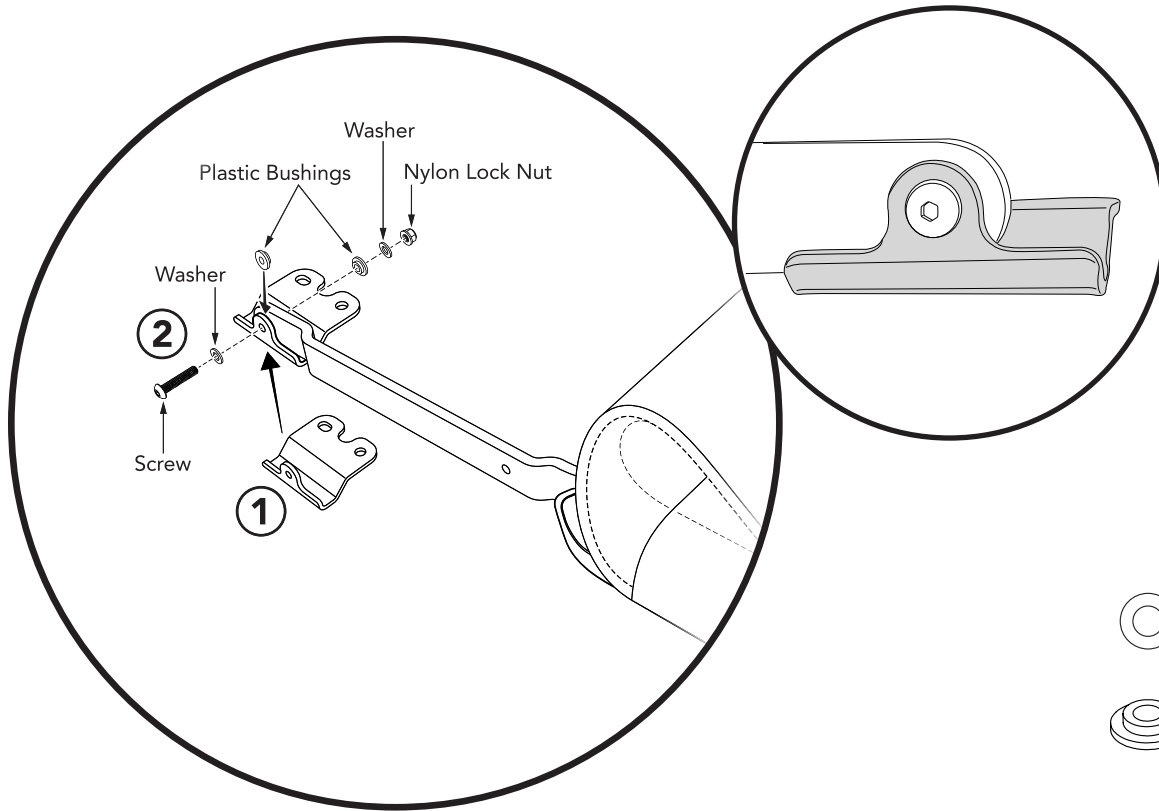
- OR -



Socket Wrench



8mm Socket



Parts



M5 Flat Washer
#565.90
Qty. 4



Plastic Bushing
#473.40
Qty. 4



M5 Nylon Lock Nut
#526.76
Qty. 2

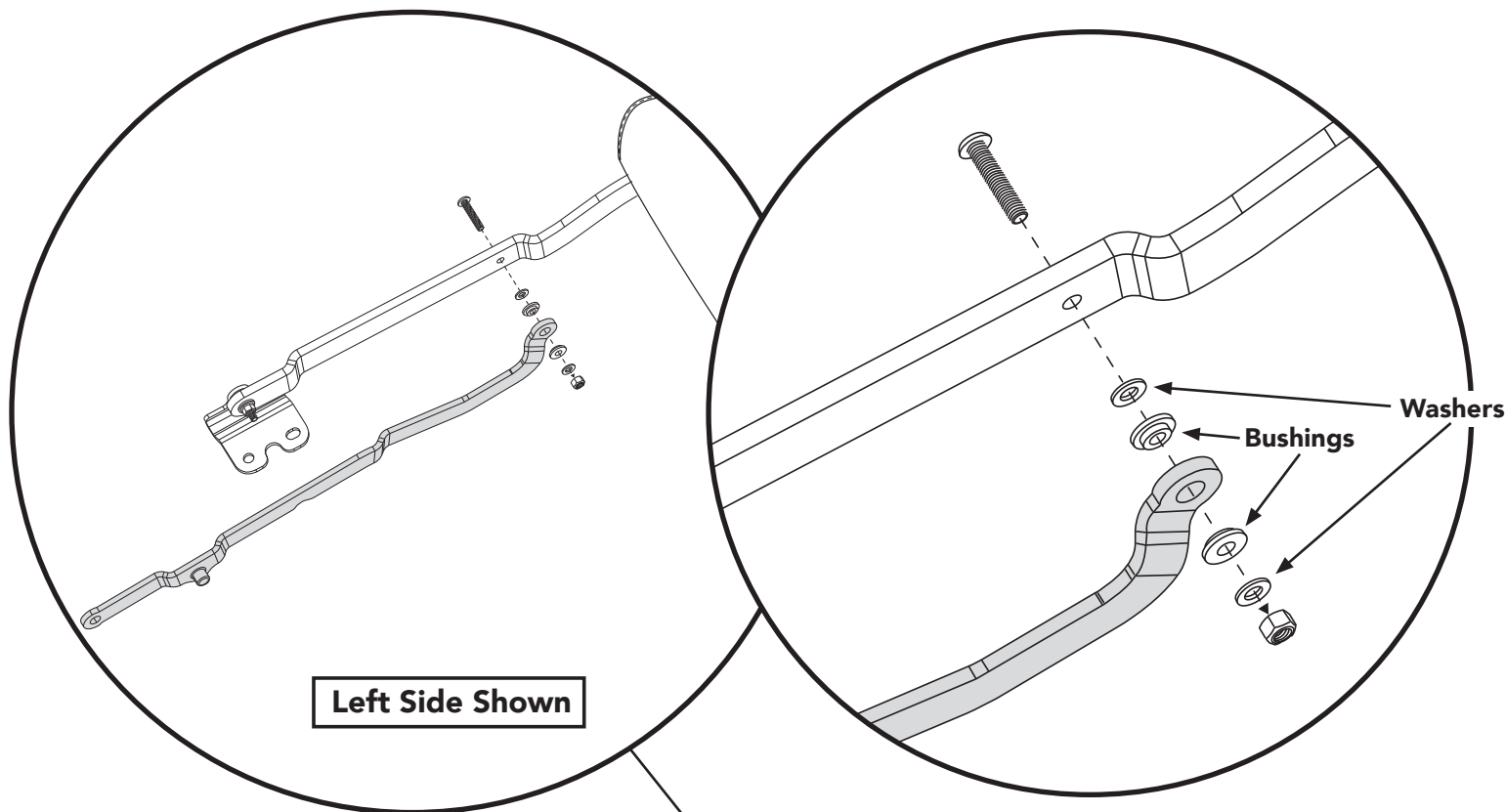


M5x0.8x25
Button Head
Socket Cap Screw
#579.60
Qty. 2



Side Bow Pivot
Bracket
Part #579.96
Qty. 2

Attach the Side Bow Pivot Brackets to the Side Bows on the Header/Deck Assembly.
The Brackets attach to the end of each Side Bow using one (1) M5x0.8x25 Button Head Socket Cap Screw, two (2) Bushings and two (2) M5 Flat Washers and one (1) M5 Nylon Lock Nut on each Side Bow Leg.
The Plastic Bushings go directly on either side of the Side Bow legs, with the larger hole.



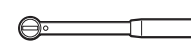
Left Side Shown

Tools



8mm Wrench

- OR -



Socket Wrench



8mm Socket

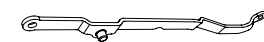
Attach the Bow Link Assemblies to the Side Bow.

1. Place a Plastic Bushing on either side of the Bow Link with the larger hole.
2. Align the Bow Link with Bushings with the hole in the Side Bow.
3. Secure the Bow link with one (1) Button Head Socket Cap Screw, two (2) M5 Flat Washers, and one (1) M5 Nylon Lock Nut.

Attach a Bow Link Assembly to each Side Bow.



Parts



#2 Bow Link Assembly
Part #576.15 - Left
Qty. 1



M5x0.8x25
Button Head
Socket Cap Screw
#579.60
Qty. 1



#2 Bow Link Assembly
Part #576.16 - Right
Qty. 1

M5 Nylon
Lock Nut
#526.76
Qty. 2

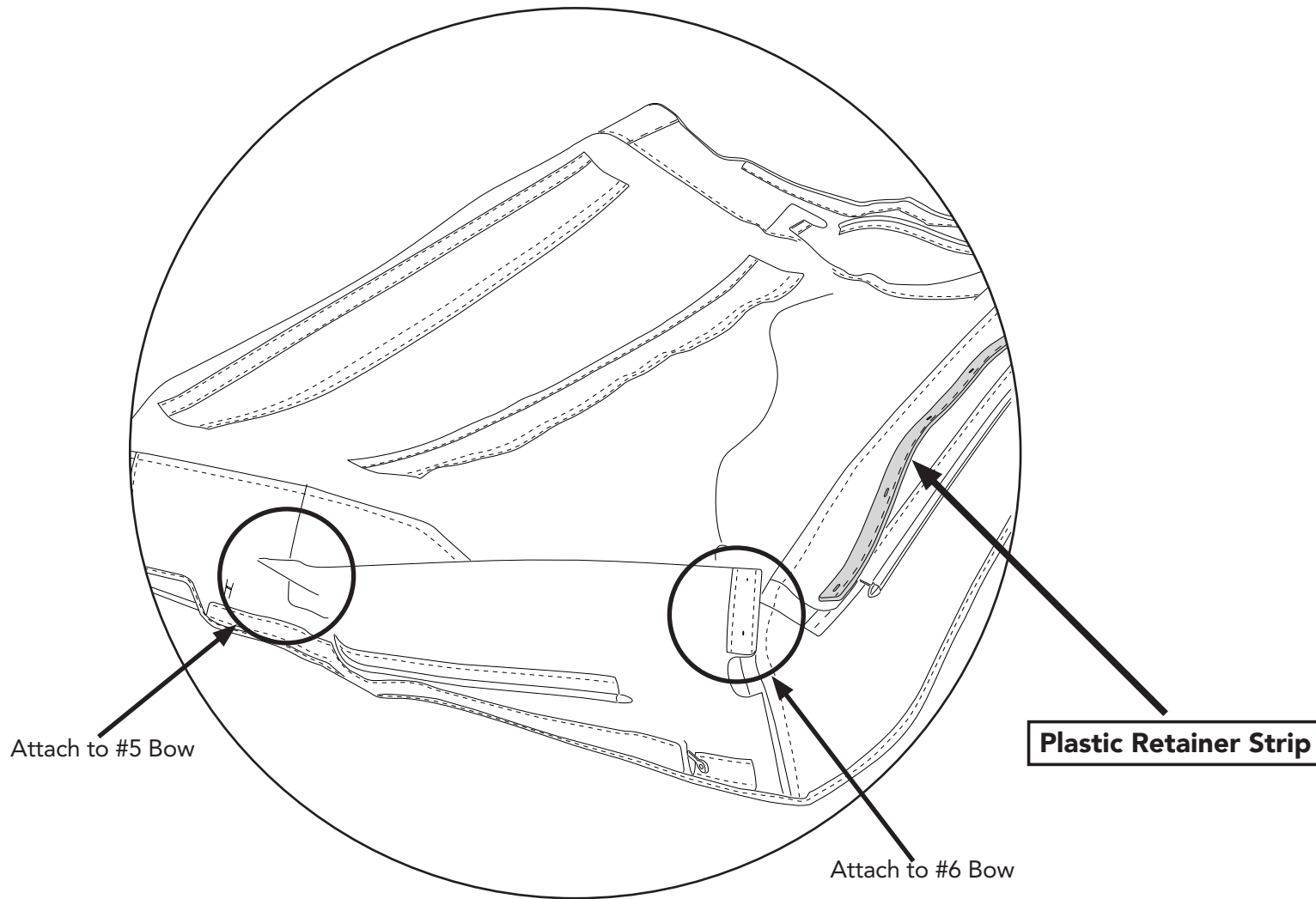


Plastic Bushing
#473.40
Qty. 4



M5 Flat Washer
#565.90
Qty. 4





Lay out the Top Fabric Assembly with the inside facing up.

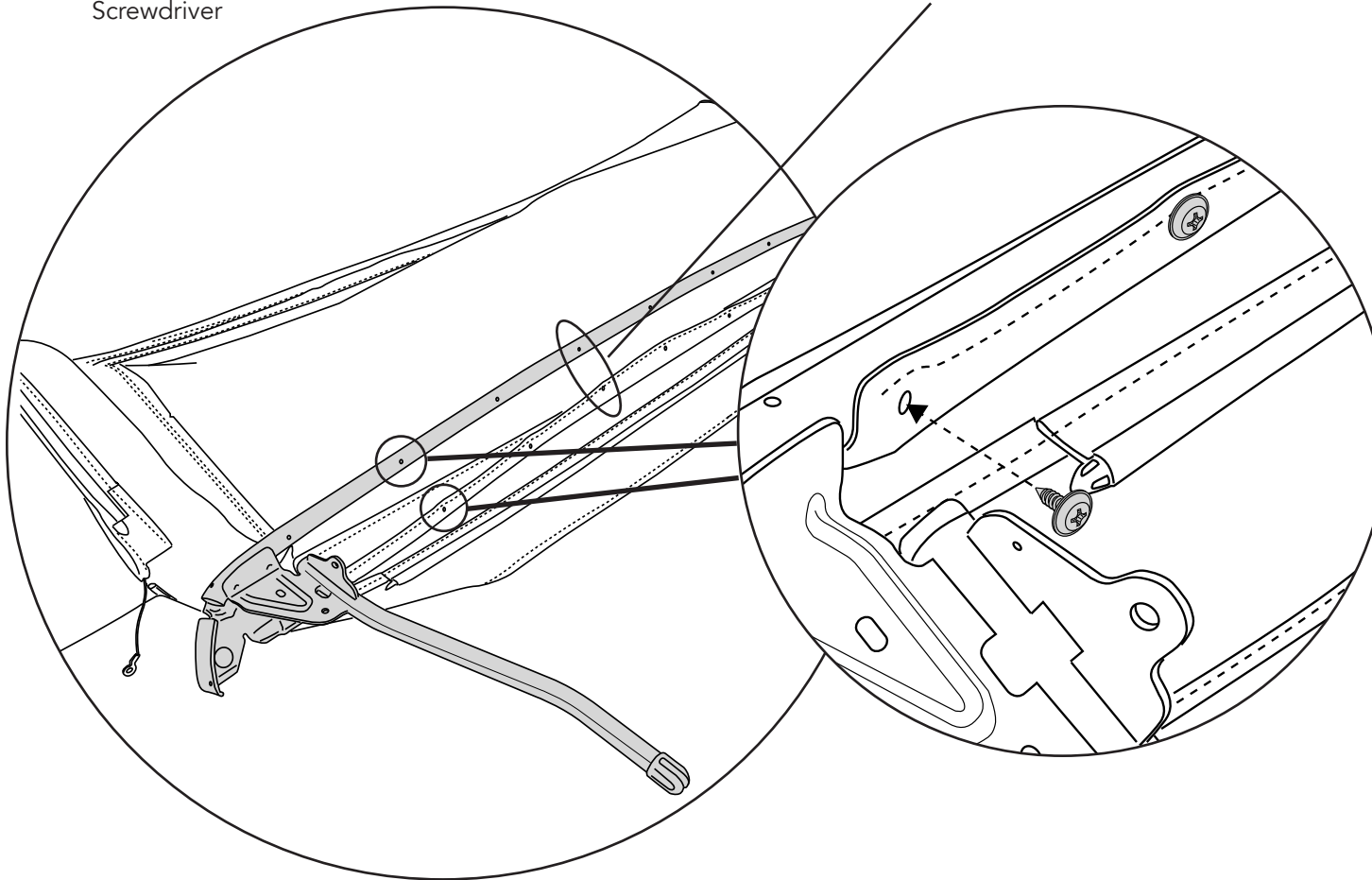
Tools



#2 Phillips
Screwdriver

TIP

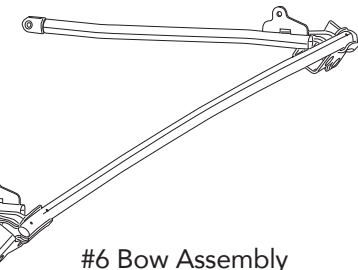
It is easiest to start with the center screw then work your way towards the outer ends of the flaps.



Parts

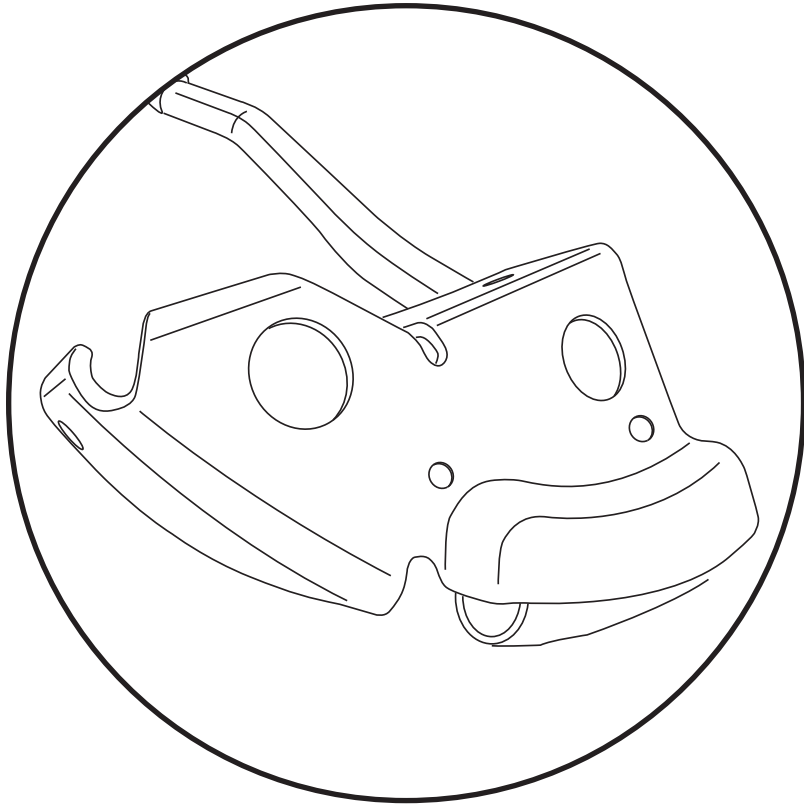


SCREW, Sheet Metal
Part #393.79
Qty. 9



#6 Bow Assembly
Part #614.94
Qty. 1

Place the #6 Bow Rear edge of the Top Fabric Assembly with the arch going up and the legs going rearward. Pull the flap of the fabric with the Plastic Retainer Strip to the #6 Bow, Align the holes in the fabric with the holes in the #6 Bow and attach with nine (9) #8 x 5/8 inch Sheet Metal Screws.



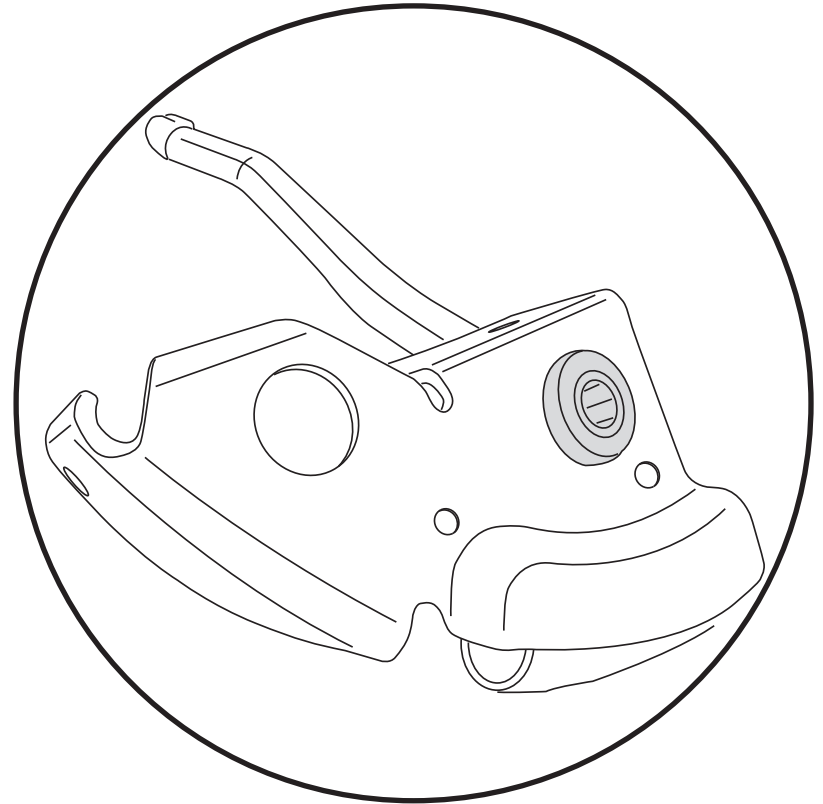
Insert a Grommet into the bracket at the end of the #6 Bow Assembly.

Repeat this on the other side of the bow.

Parts

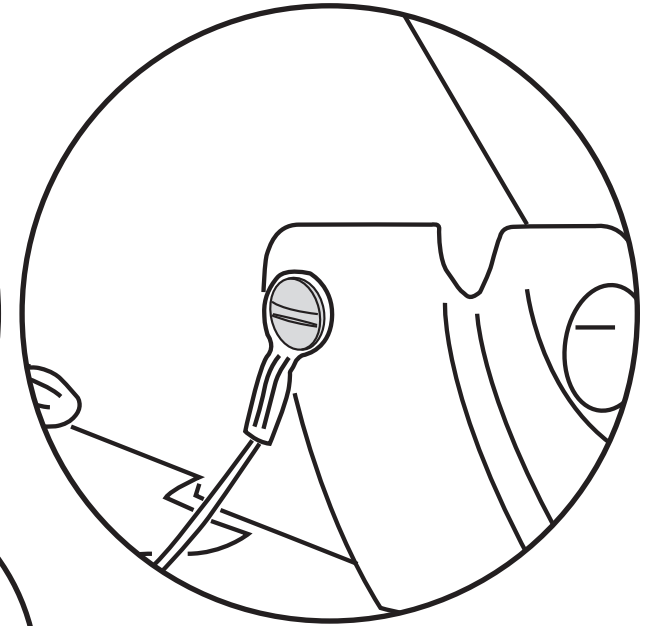
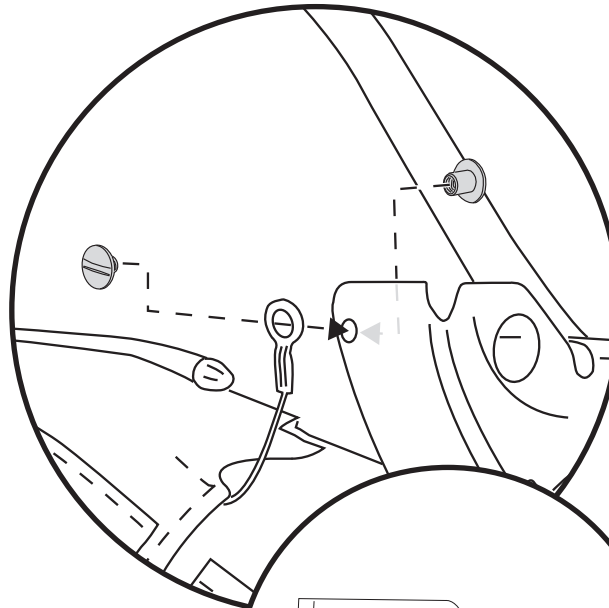
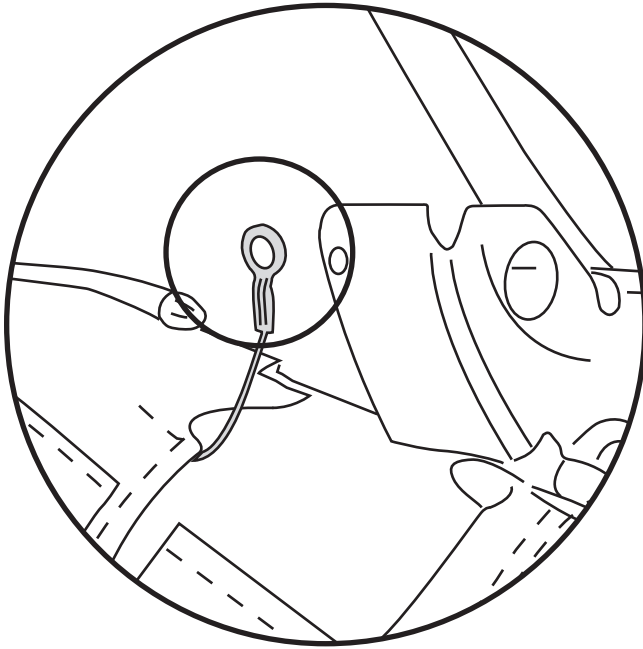


Grommet 7/16"
Part #543.75
Qty. 2



Pull the Cable out from under the flap on the side of the top fabric assembly.

Pull the Cable out from under the flap on the side of the top fabric assembly.

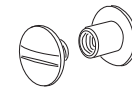


Tools



Slotted
Screwdriver

Parts



Screw, Binding
Barrel
Part #599.01
Qty. 2

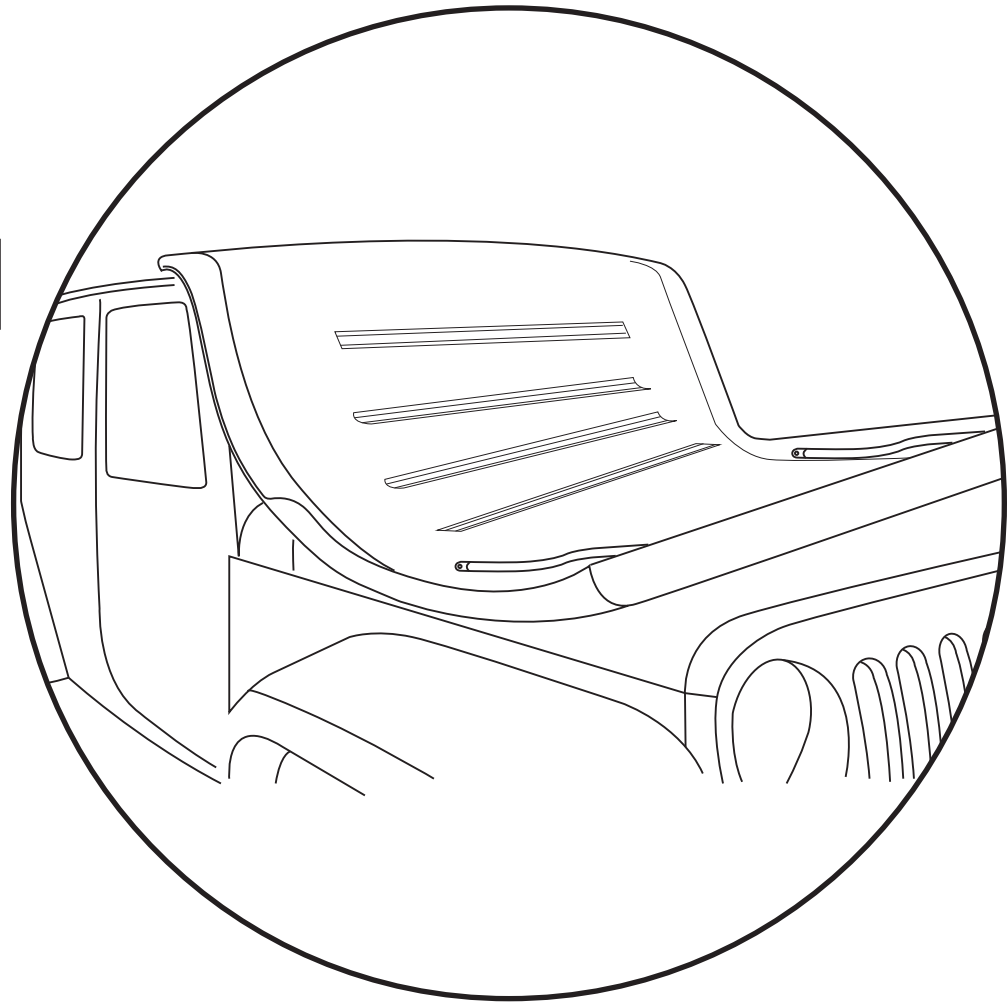
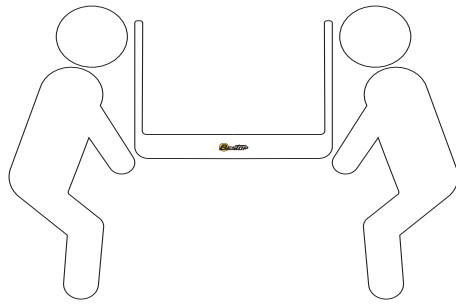


Loctite Capsule
Part #309.83
Qty. 1

Place the Fabric assembly on the hood of the vehicle and bring the Header to the top of the windshield.

TIP

It will be easier lifting the fabric assembly onto the vehicle with two people.



Tools



Parts

M6x14
Button Head
Socket Cap Screw
#517.63
Qty. 4

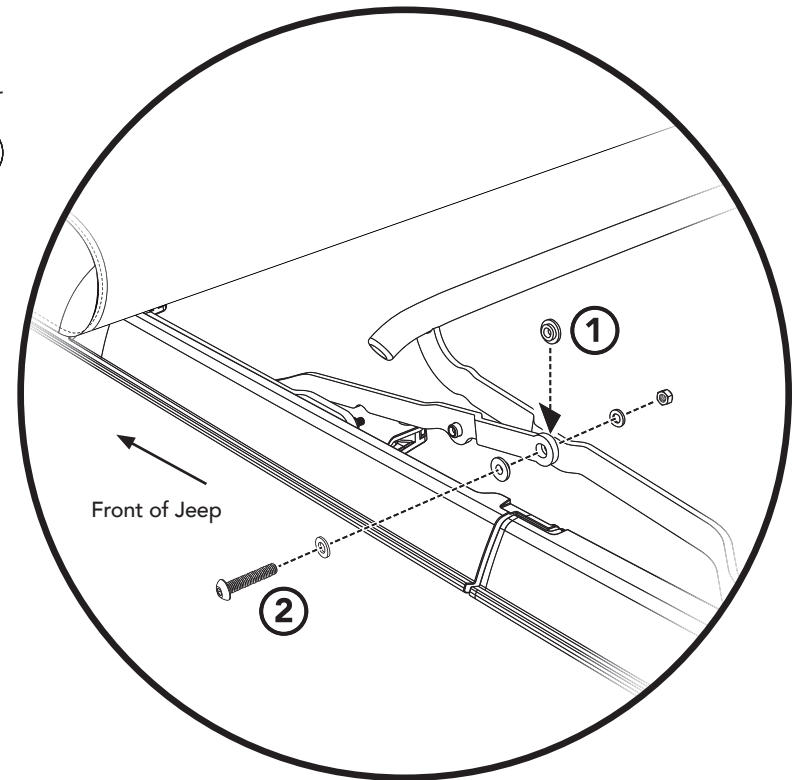
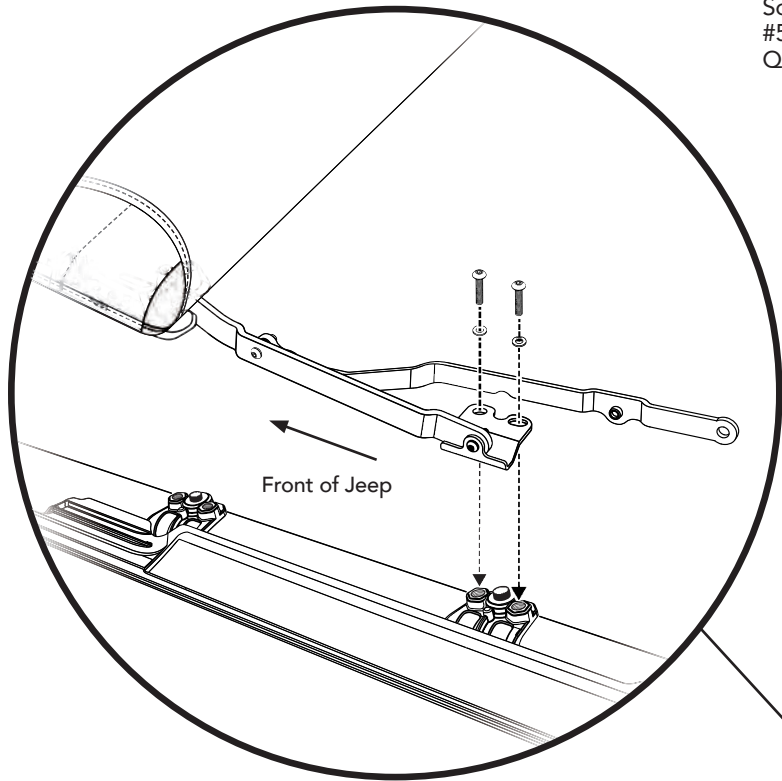
M6 Flat Washer
#515.81
Qty. 4

Plastic Bushing
#473.40
Qty. 4

M5x0.8x25
Button Head
Socket Cap Screw
#579.60
Qty. 2

M5 Nylon
Lock Nut
#526.76
Qty. 2

M5 Flat Washer
#565.90
Qty. 4



Attach the #Header/Deck/Side Bow Assembly to the top of the Front Door Rail rear brackets.

Secure the Side Bow to the top of the brackets using two (2) M6x14 Button Head Cap Screws and two (2) M6 Flat Washers on each side of the Jeep.



Attach the Bow Link Assemblies to the #2 Bow.

① Align the holes in the Bow Link and the #2 Bow, and place a Plastic Bushing in between the Bow Link and the #2 Bow.

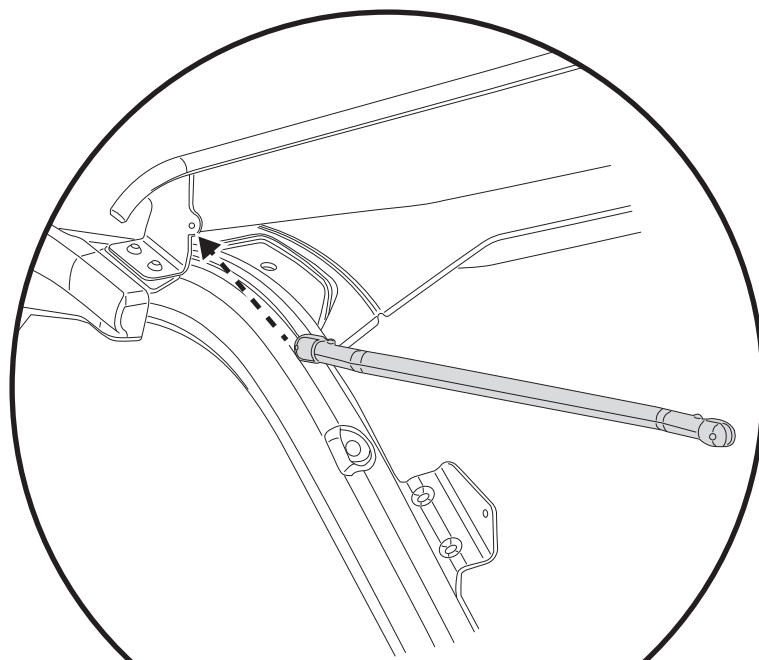
② Secure the Bow link with one (1) M5x0.8x25 Button Head Socket Cap Screw, two (2) M5 Flat Washers and one (1) M5 Nylon Lock Nut.

Attach a Bow Link to each Side Bow.

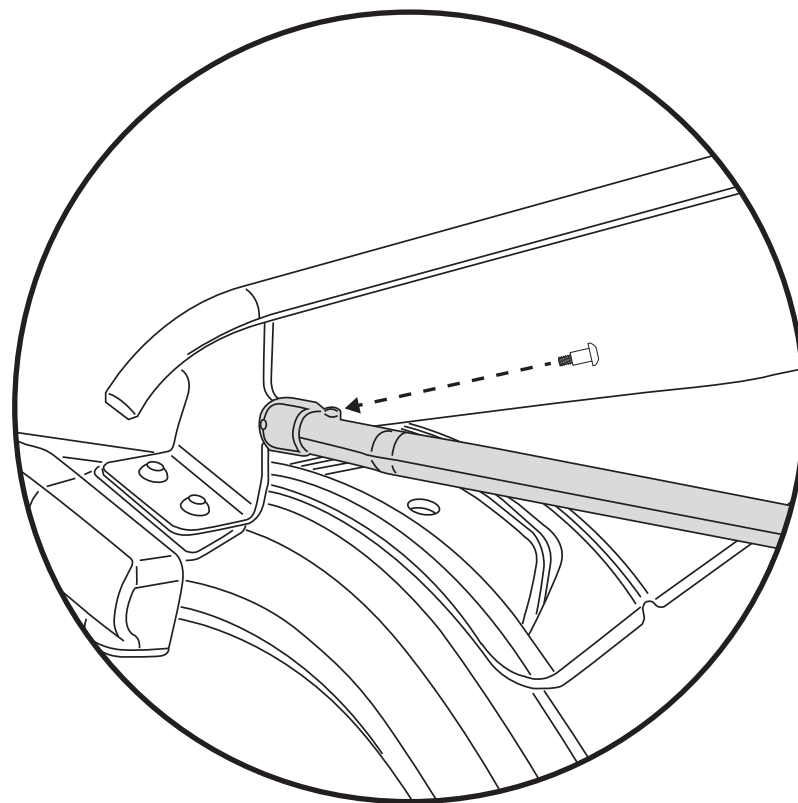
Tools



T30 Torx Driver



Attach the #6 Bow Support Upper to the #5 Bow.



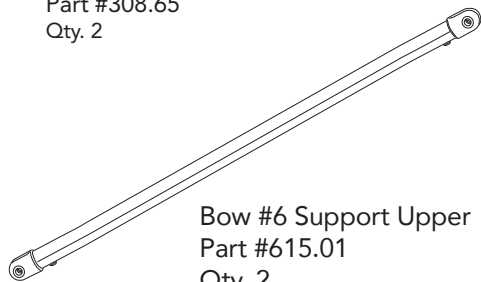
Use one (1) Pivot Knuckle screw per side.

Parts



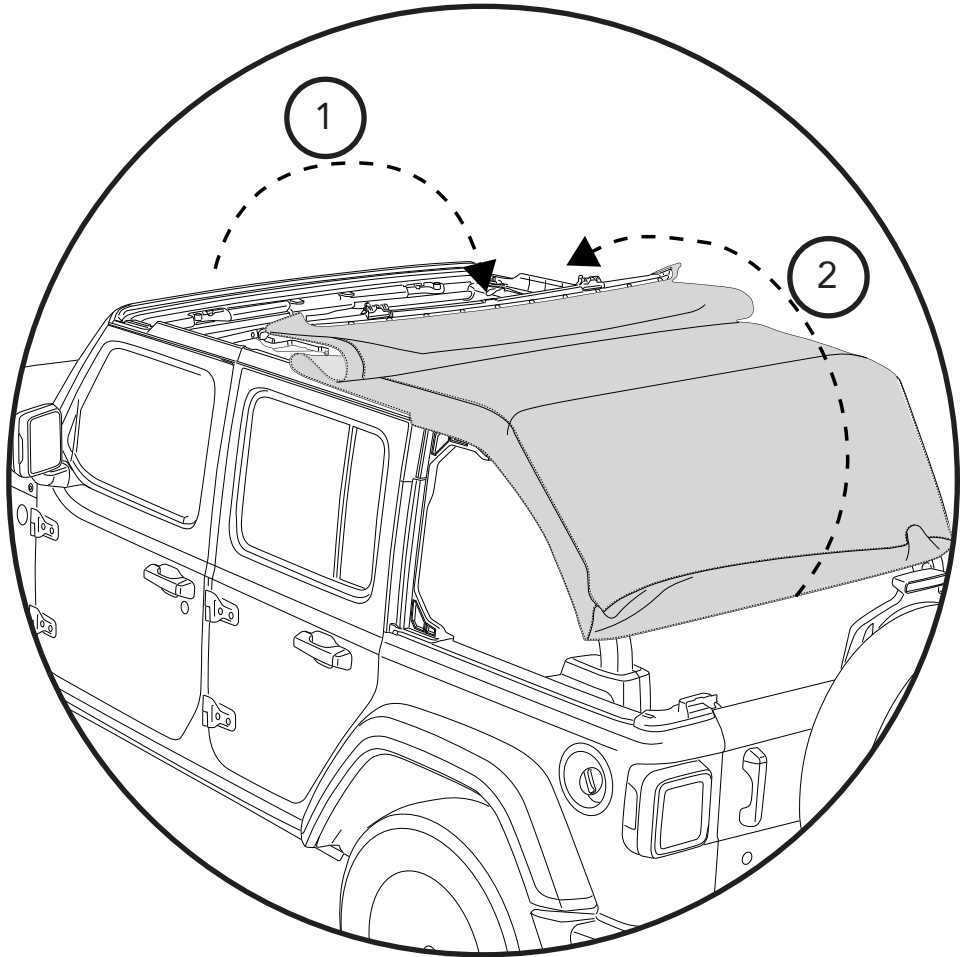
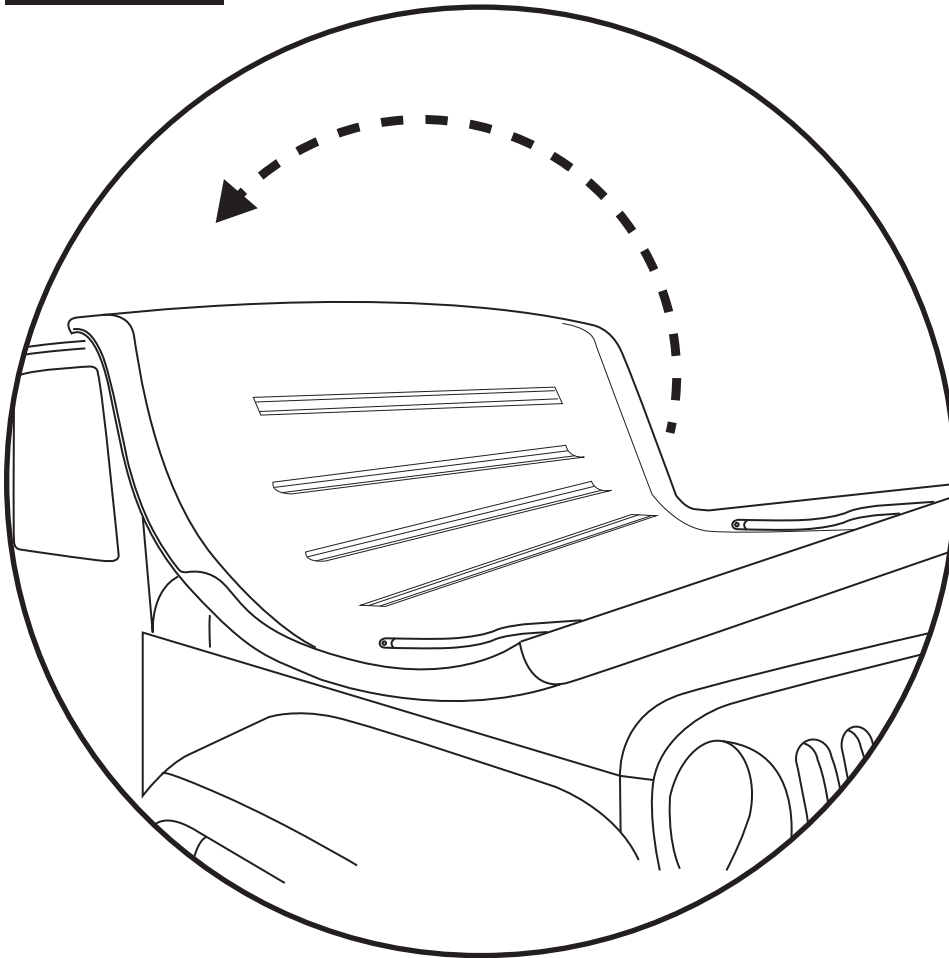
SCREW, Pivot Knuckle
Part #308.65
Qty. 2

Note: Make sure the support offsets to inside of the vehicle.



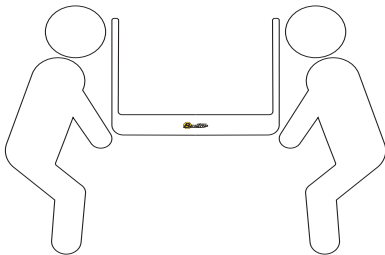
Bow #6 Support Upper
Part #615.01
Qty. 2





Lift the Top fabric assembly over the top of the vehicle.

TIP It will be easier lifting the fabric assembly over the vehicle with two people.



1 Open top to "SUNRIDER POSITION"

2 Lift the rear of the Top Fabric Assembly (Including the #6 Bow) over the top of the vehicle.

Tools

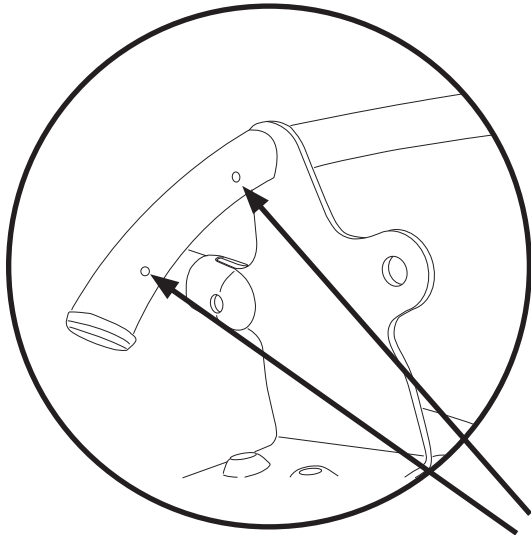
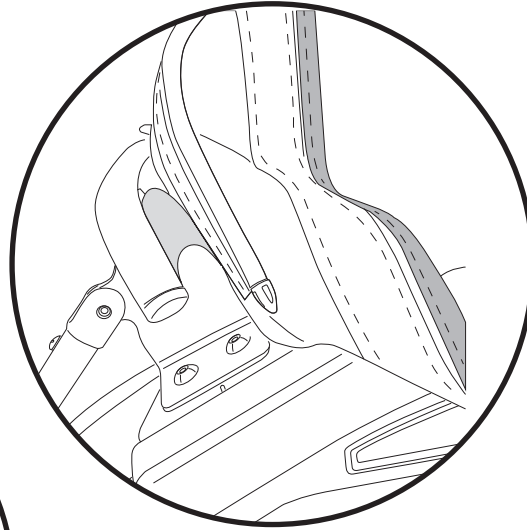


#2 Phillips
Screwdriver

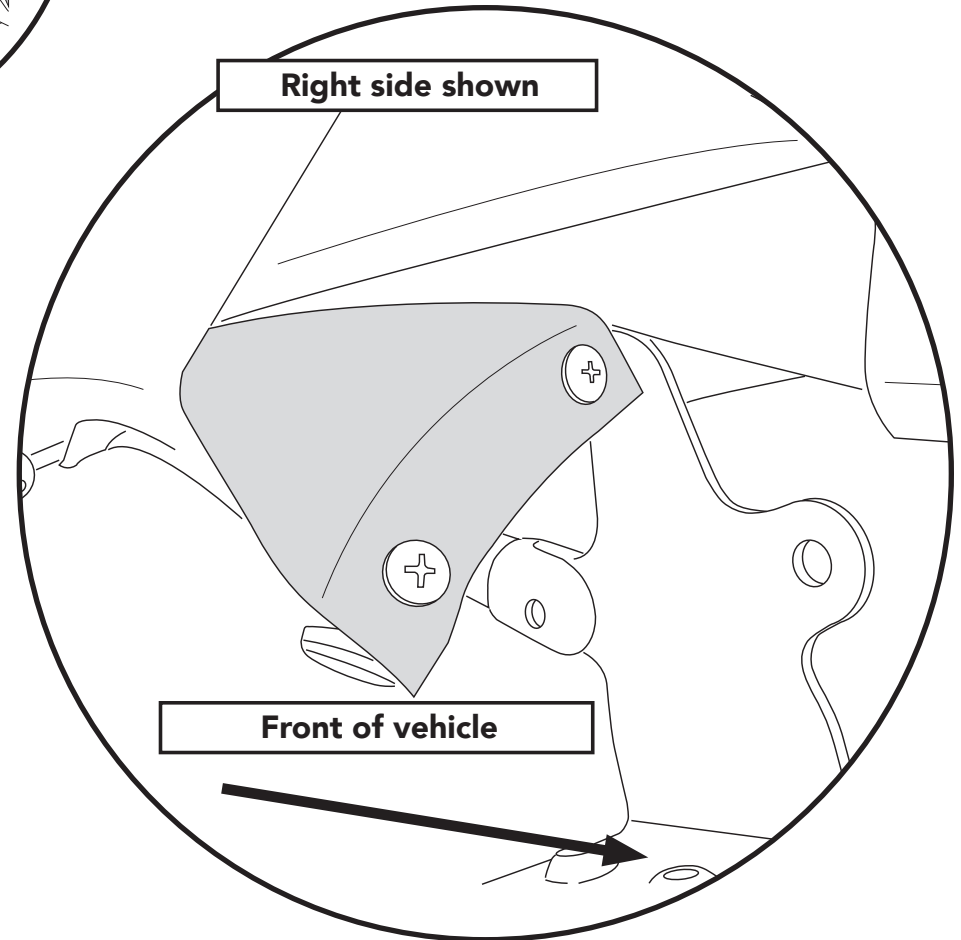
Parts



SCREW, Sheet Metal
Part #393.79
Qty. 4



Pull the flap down in front of the #5 bow then secure it to the front of the #5 Bow with two (2) Sheet Metal Screws per side.



Tools

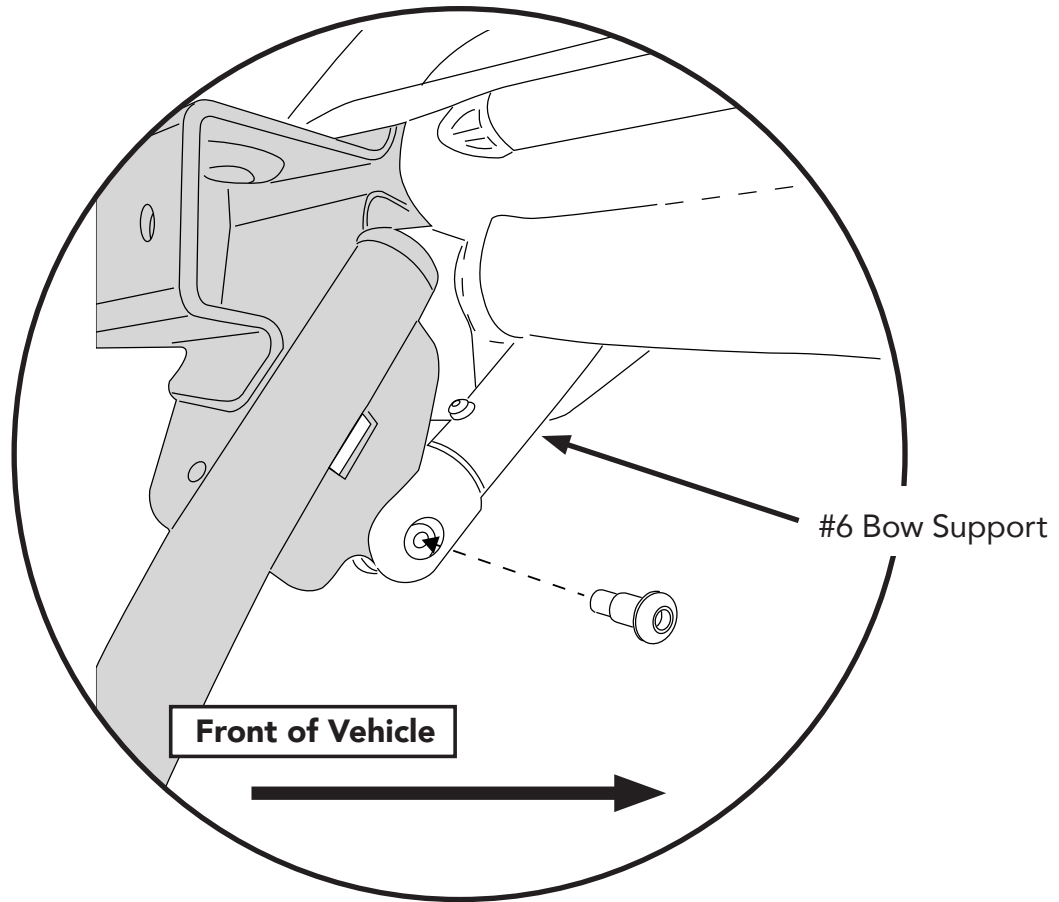


T30 Torx Driver

Parts



SCREW, Pivot Knuckle
Part #308.65
Qty. 2



Pull the #6 bow down over the rear of the vehicle then attach the #6 Bow to the #6 Bow Support using one (1) Pivot Knuckle Screw per side.

Tools

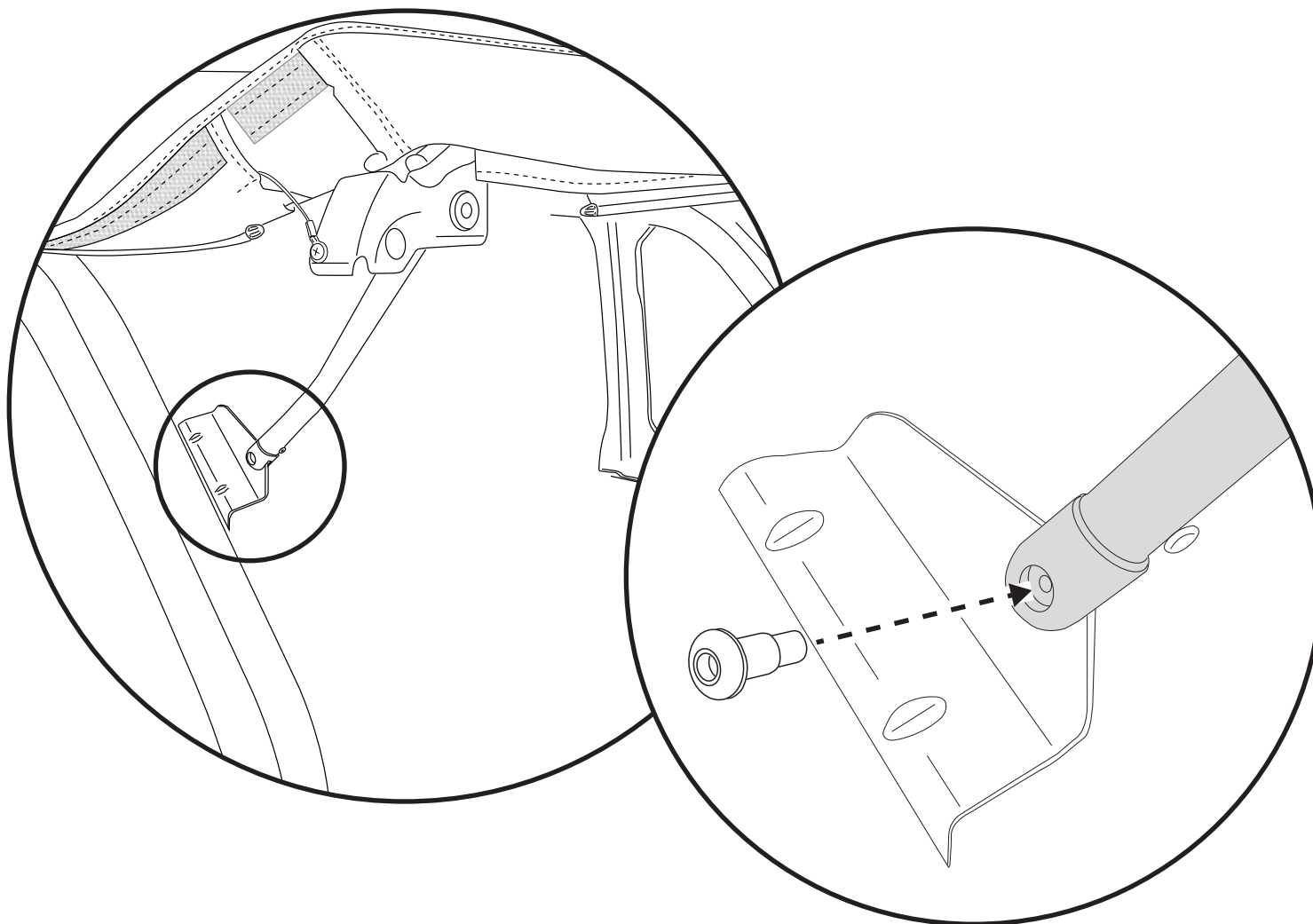


T30 Torx Driver

Parts



SCREW, Pivot Knuckle
Part #308.65
Qty. 2



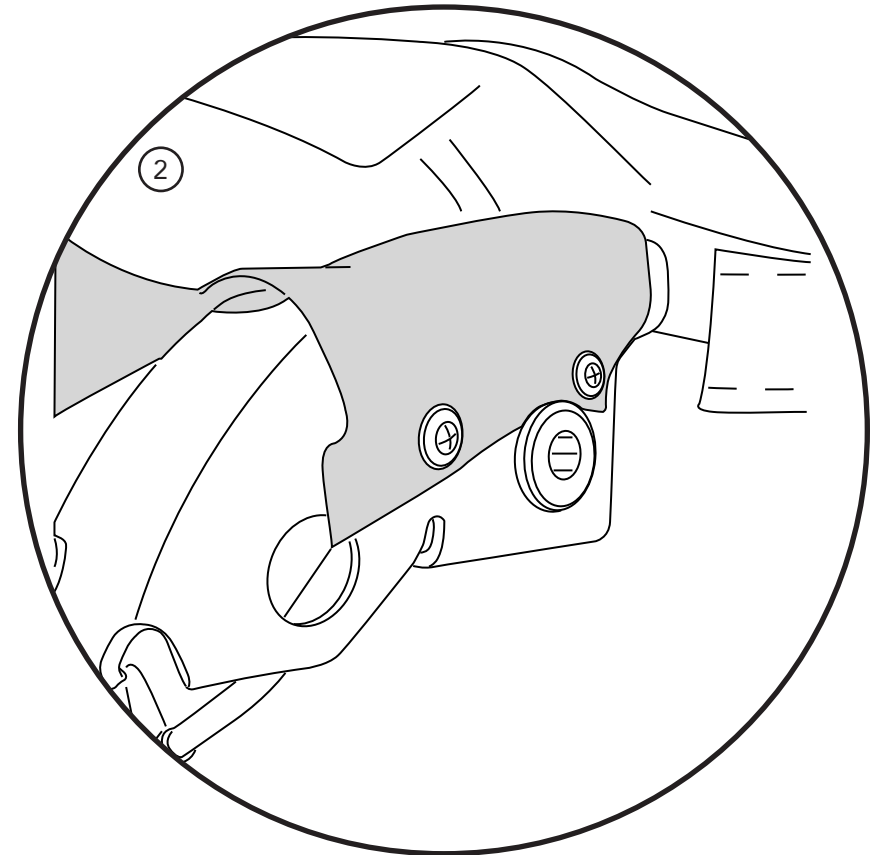
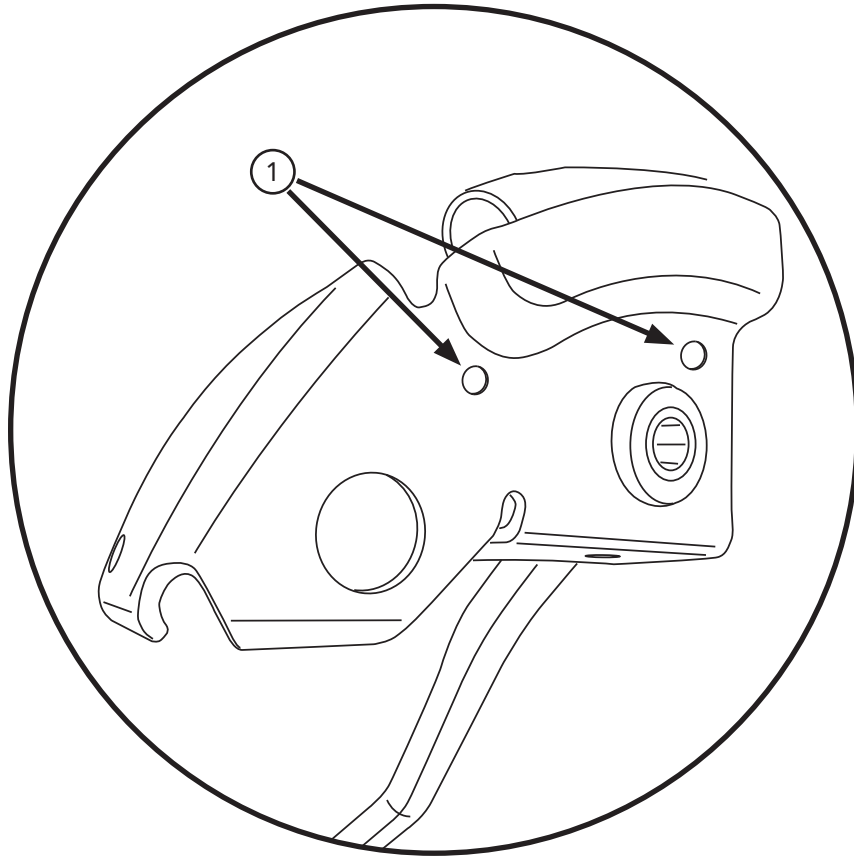
Attach the #6 Bow Support to the #6 Bow Mounting Brackets using one (1) Pivot Knuckle Screw per side.

Repeat on the right side of the vehicle.

Tools



#2 Phillips
Screwdriver

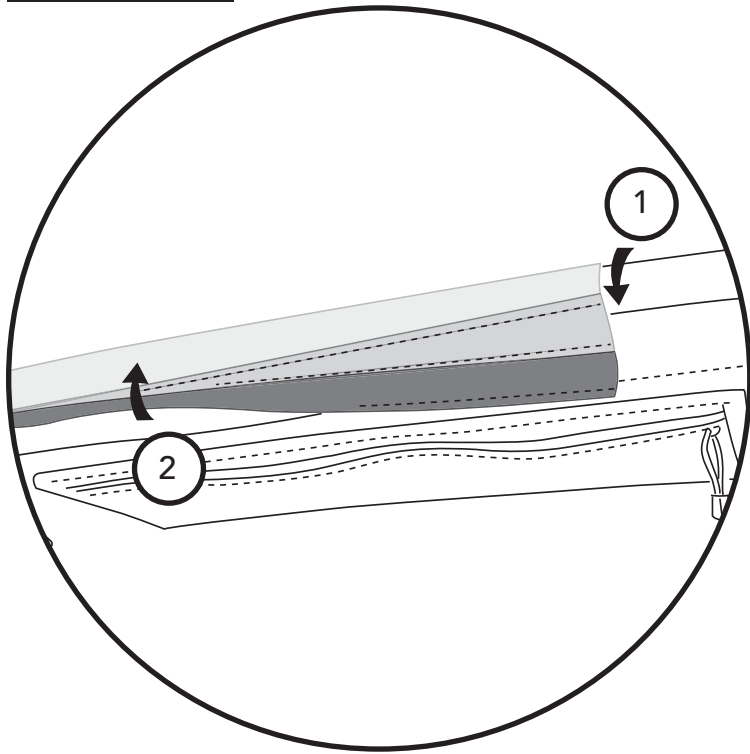


Parts

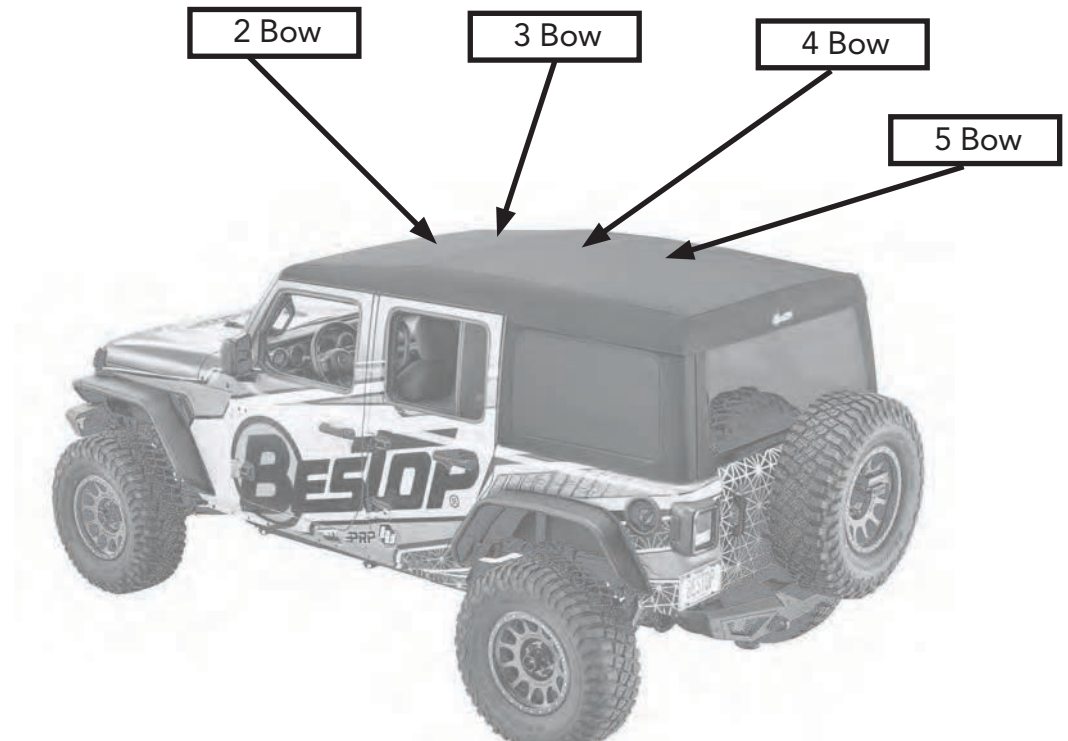


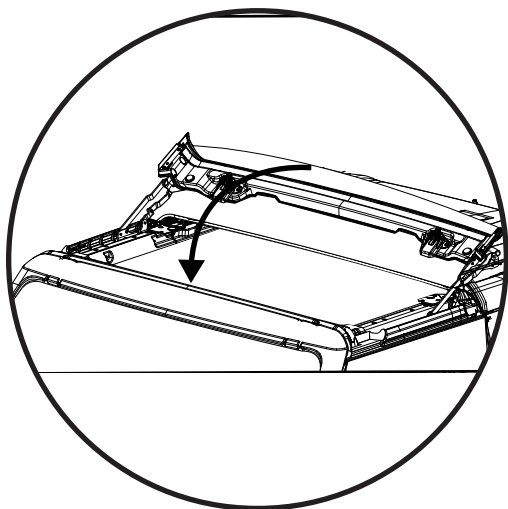
SCREW, Sheet Metal
Part #393.79
Qty. 4

- ① Locate 2 holes on #6 Bow.
- ② Pull flap over #6 Bow then attach with two (2) Sheet Metal Screws.
Repeat on the right side of the vehicle.



Wrap the flap around the 2 Bow as shown in the illustration.
Repeat this step on the #3, #4 and #5 Bows.

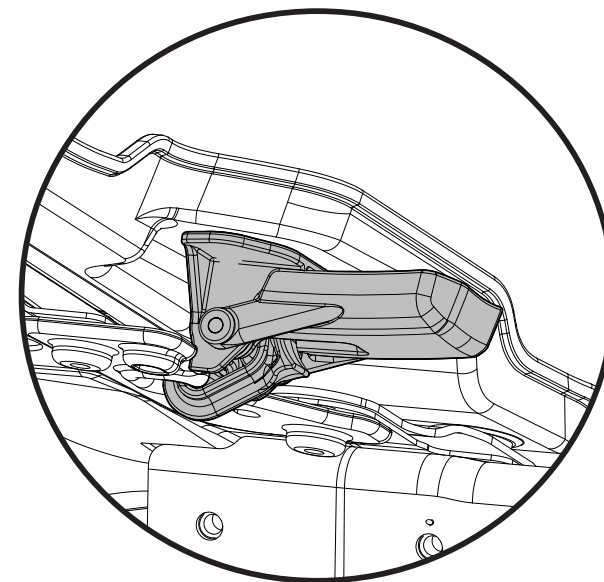
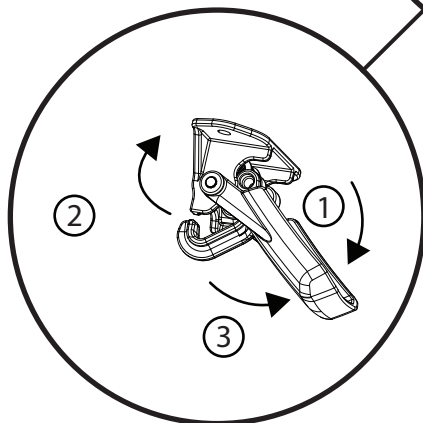
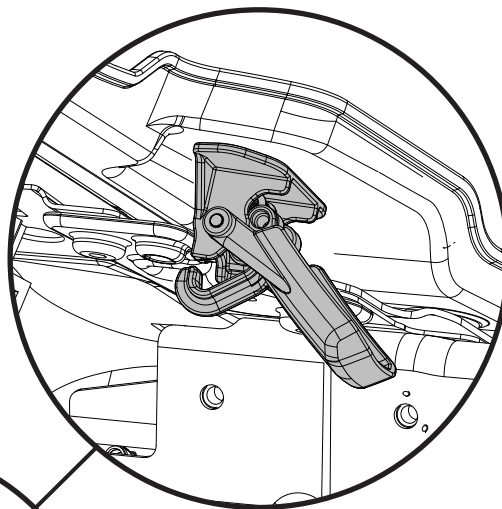




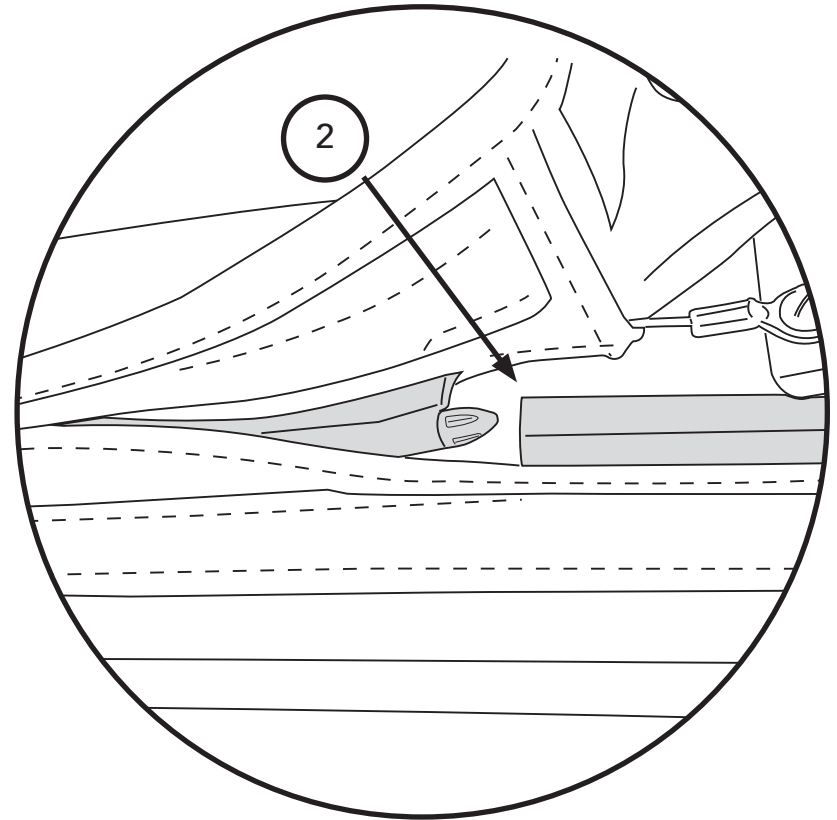
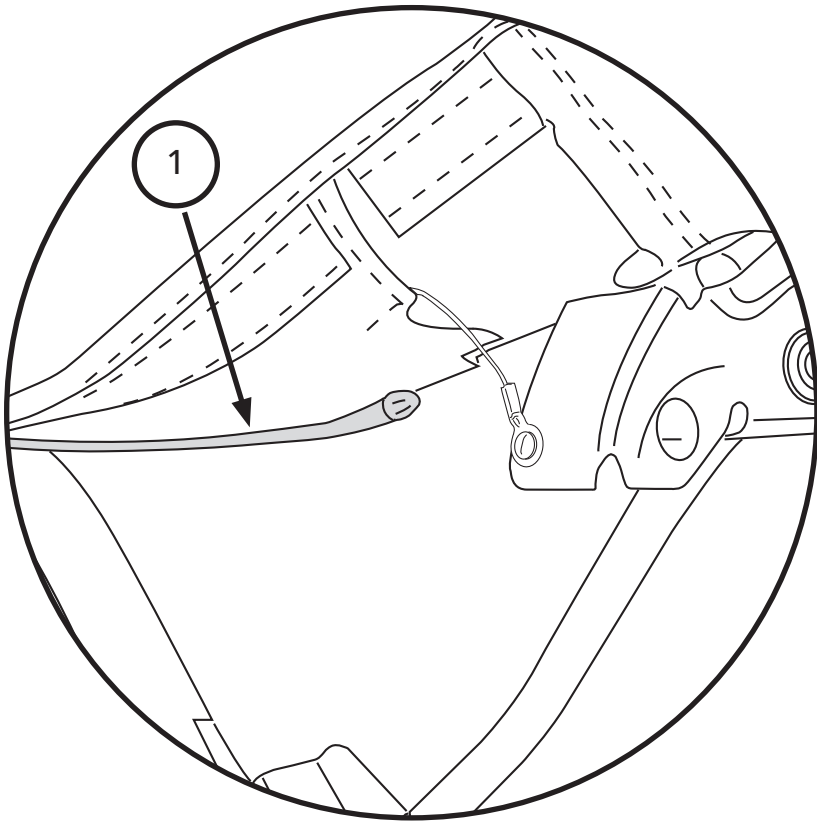
Fold the Sunrider forward.

Secure both latches to the vehicle's windshield header.

- ① Pivot the latch handle down;
- ② Engage the hook;
- ③ Pivot the latch handle back up.



Latch in closed position

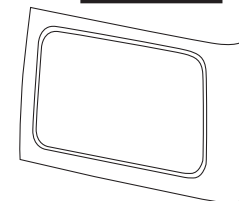


- ① Locate the plastic extrusion along the left side of the top fabric.
- ② Slide the "C" Channel (Along the top of the side window) along the plastic extrusion located on the top fabric assembly until the front of the side panel meets the Rear Door Rail.

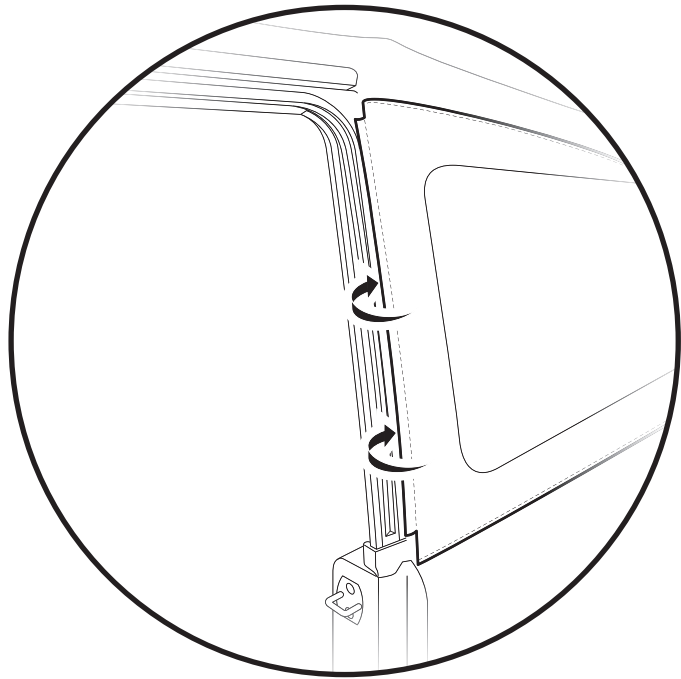
Repeat this on the right side of the vehicle.



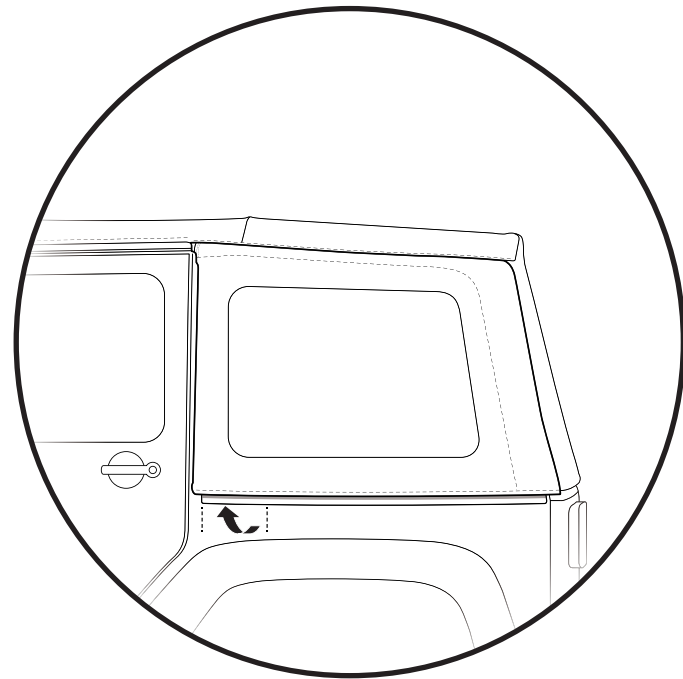
Parts



Quarter Window Left
Qty. 1
Quarter Window Right
Qty. 1

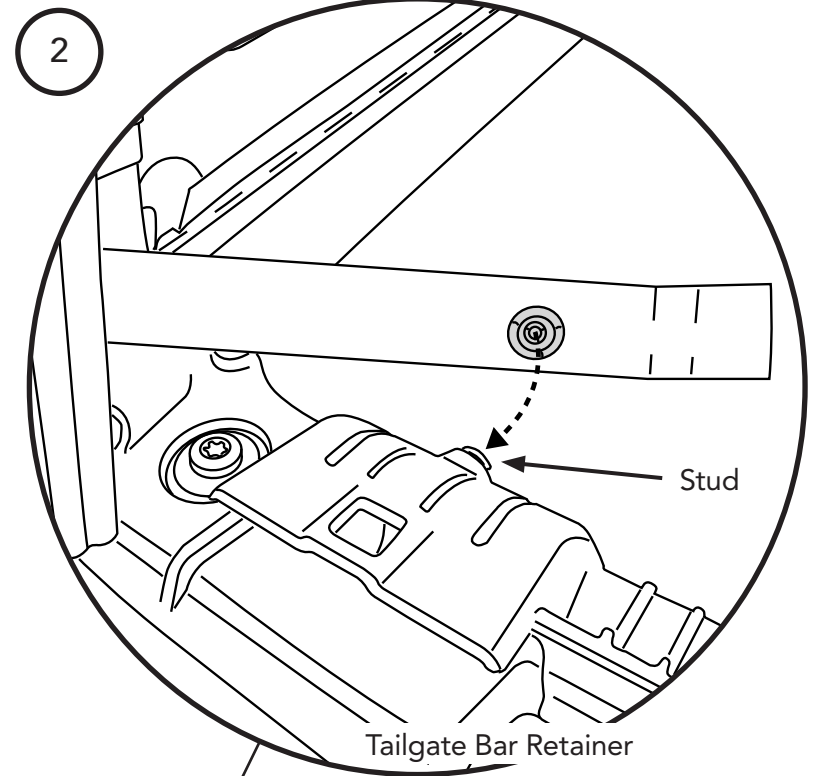
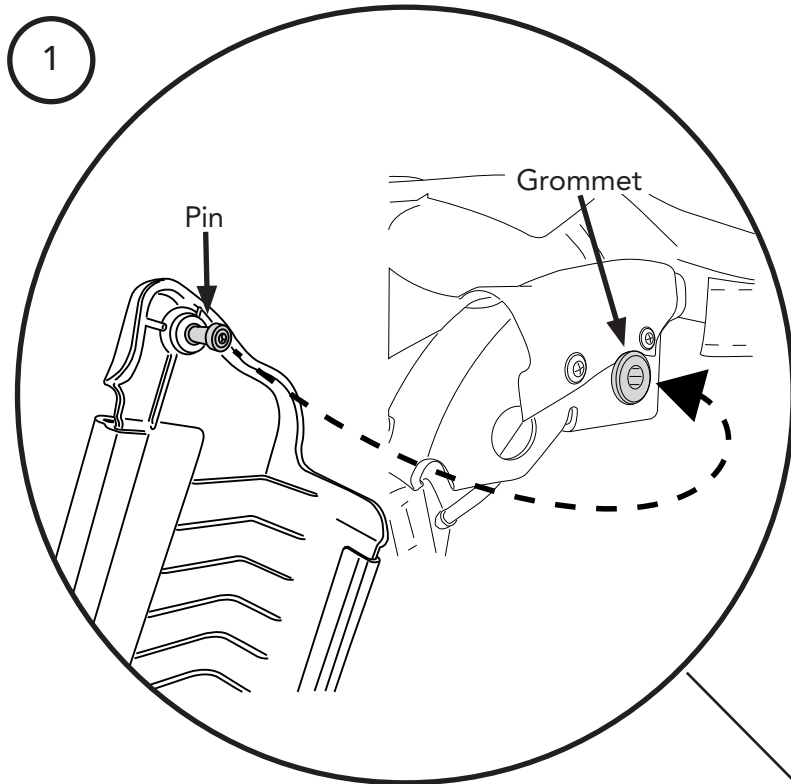


Locate the the sewn-in plastic strip along the front edge of the left Quarter Window.
Tuck this plastic strip into the vertical channel along the outside face of the left Rear Door Rail.



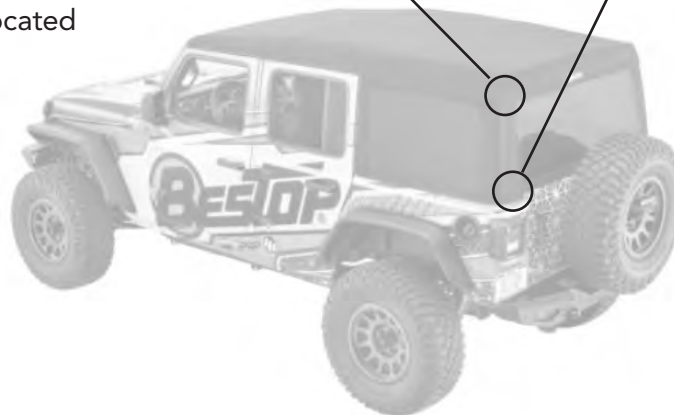
Tuck just the first couple of inches of the plastic strip along the bottom edge of the Quarter Window under the Jeep belt rail.

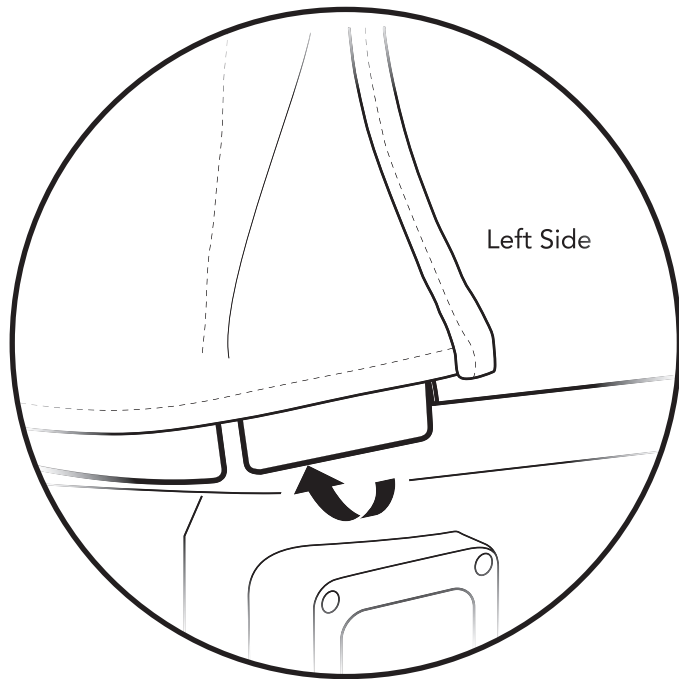
Repeat on the right side of vehicle.



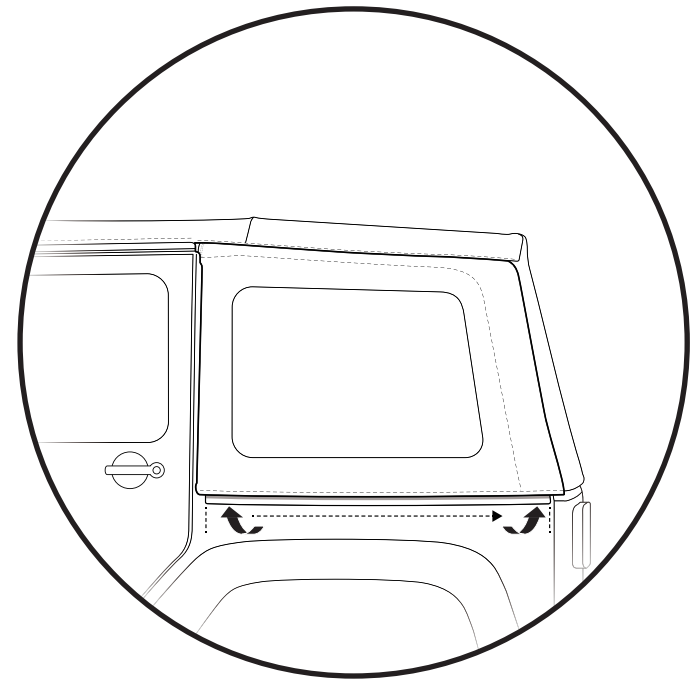
- ① Insert the pin on the Side Panel Stiffner into the Grommet on the #6 Bow.
- ② Locate the strap located at the bottom of the Side Panel Stiffner and snap it to the snap stud located at the rear of the Tailgate Bar Retainer.

Repeat on the Right side of the vehicle.

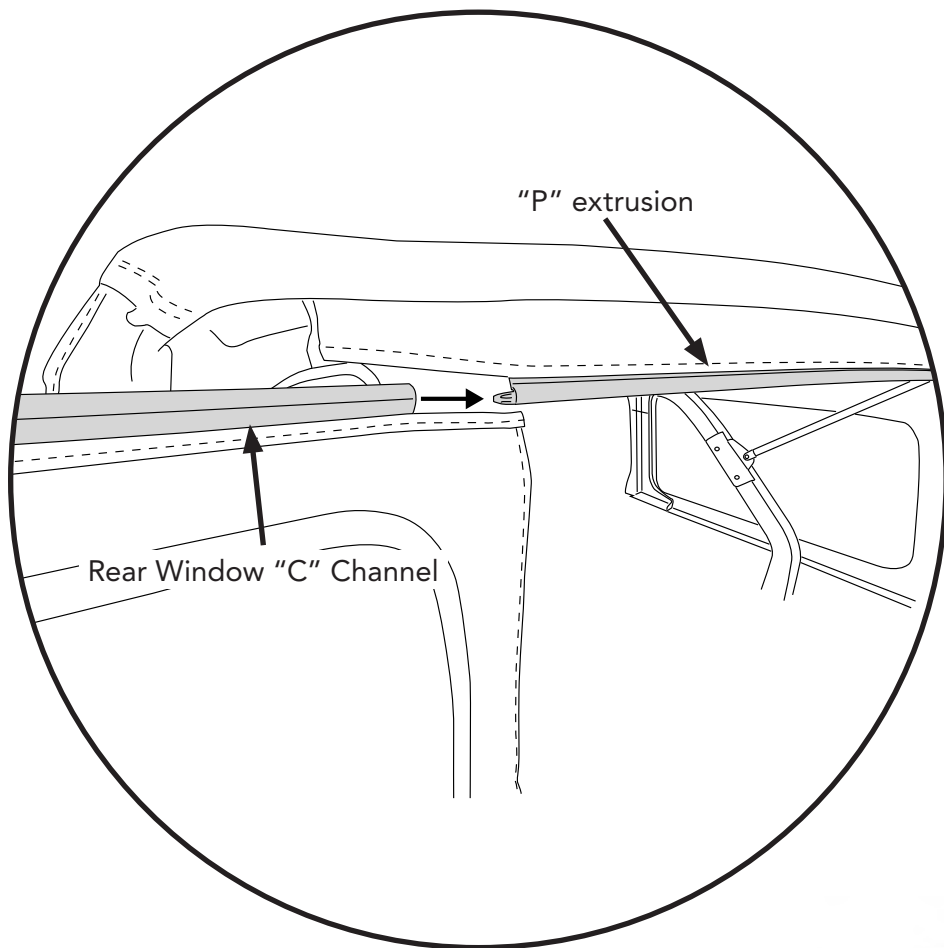




Tuck the plastic tab at the bottom rear corner of each Quarter Window under the Jeep belt rail.
Roll the tab on each side up underneath the Jeep belt rail.

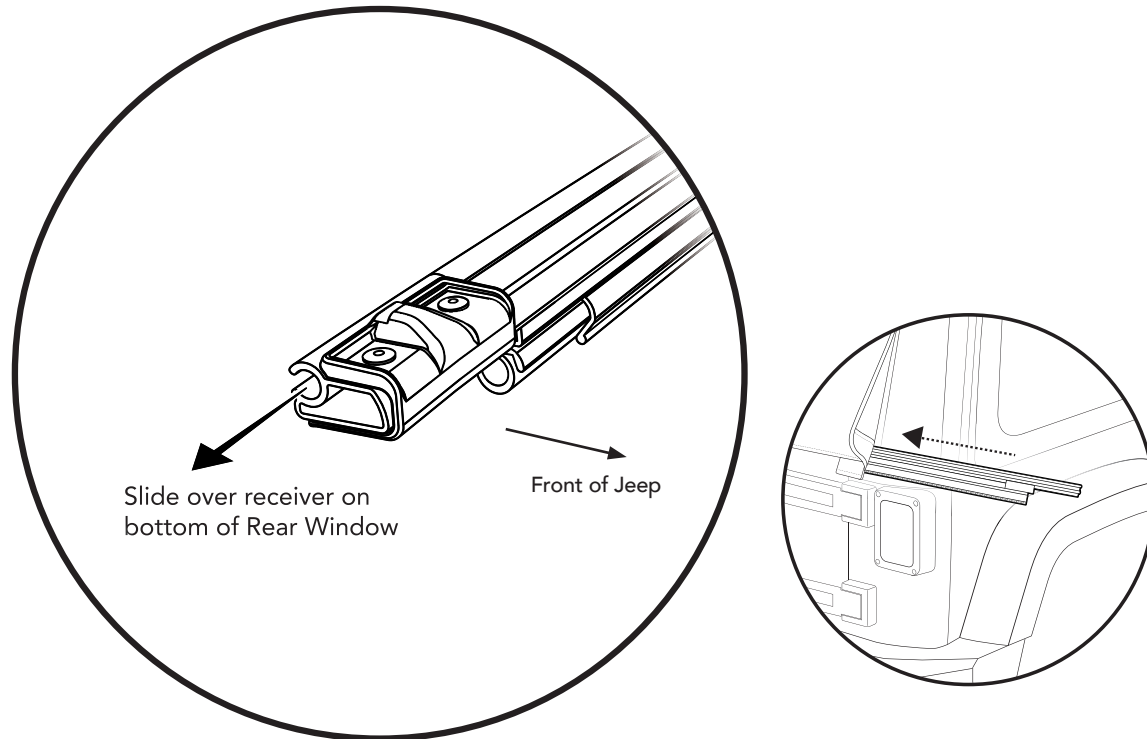


Secure the bottom edge of each Quarter Window.
Tuck the plastic flap along the bottom edge of each window under the Jeep belt rail along the entire length of the flap, from front to back.

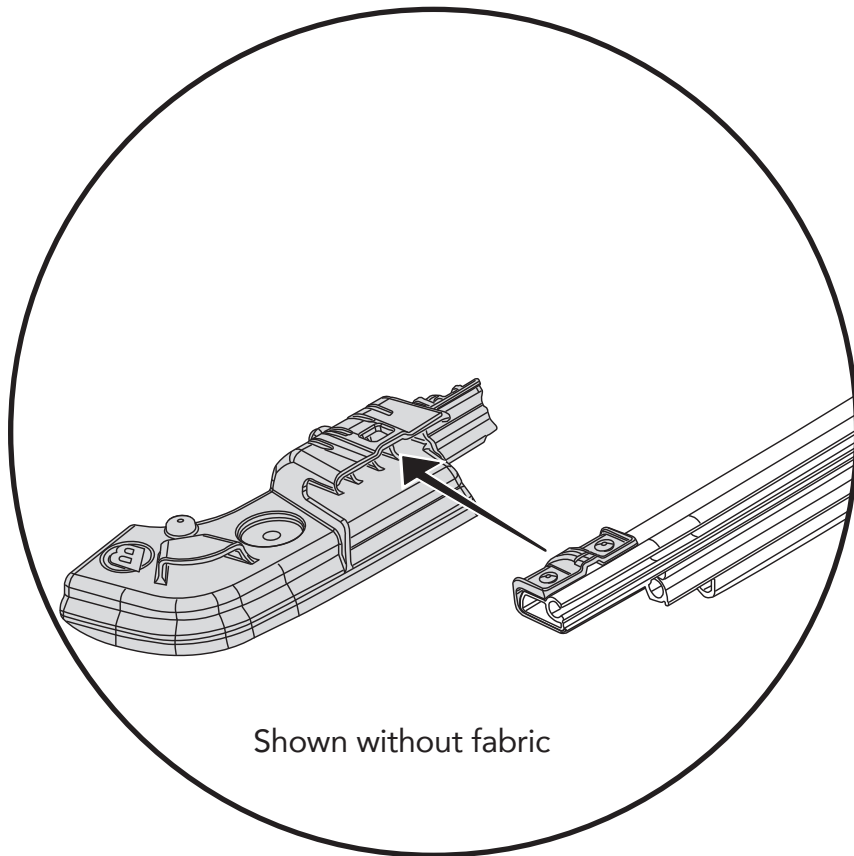


Slide the "C" channel from the top of the Rear Window onto the "P" extrusion located along the top of the rear window opening on the Top Fabric assembly.

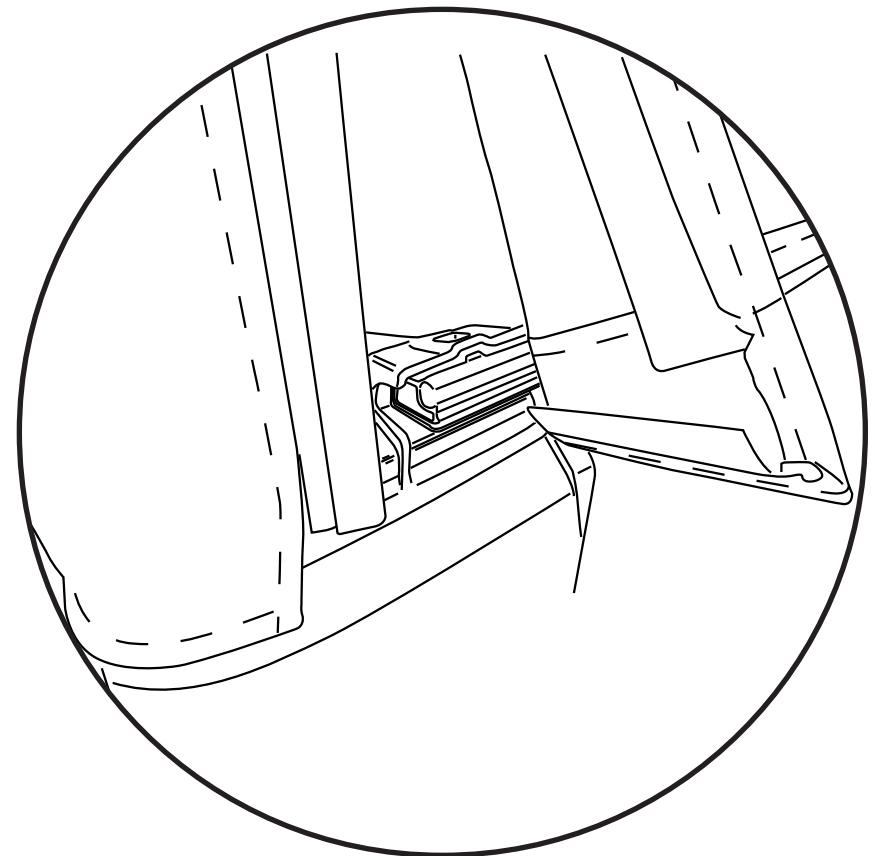




Attach the Tailgate Bar to the Rear Window.
Slide the Tailgate Bar channel over the sewn-in receiver tube on the lower inside of the Rear Window.



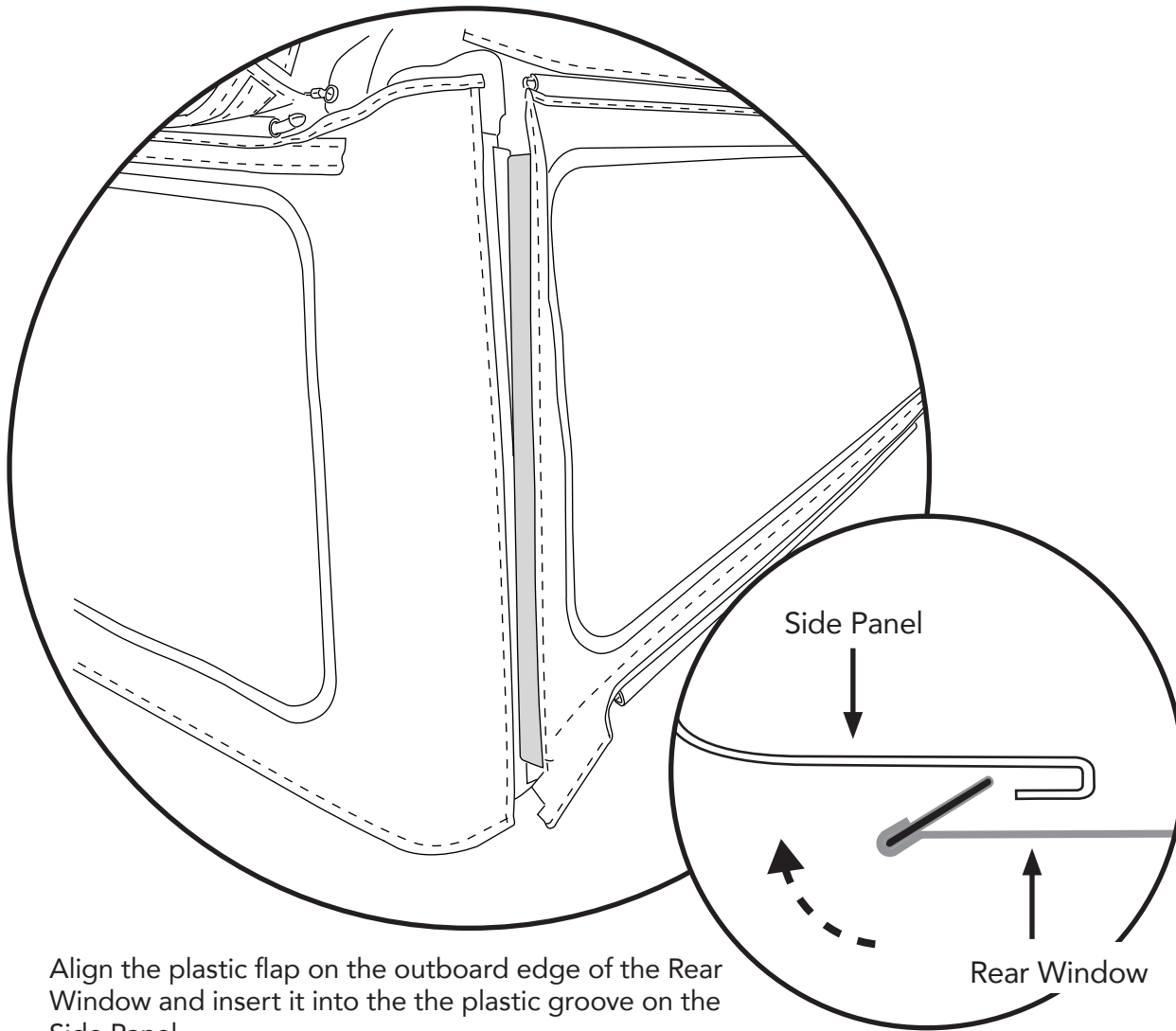
Shown without fabric



Press the plastic clips (Both sides of the tailgate bar) into the Tailgate Bar Retainer.

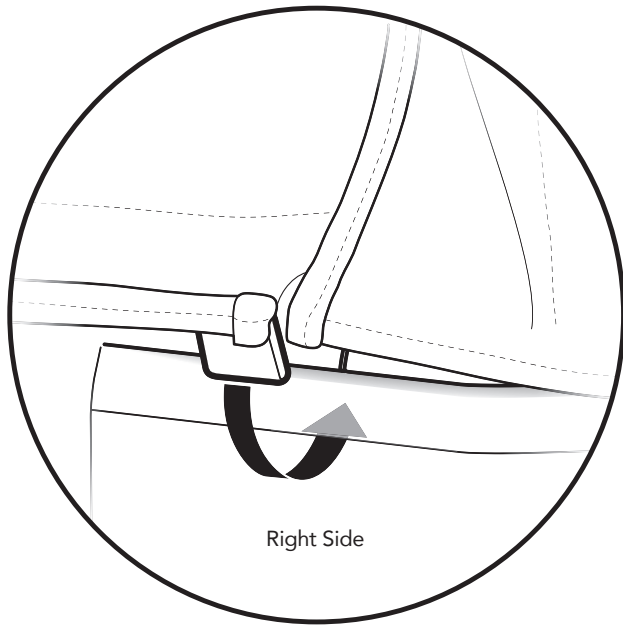
Align both ends of the Tailgate Bar in the openings of the Tailgate Bar Retainers on the vehicle.



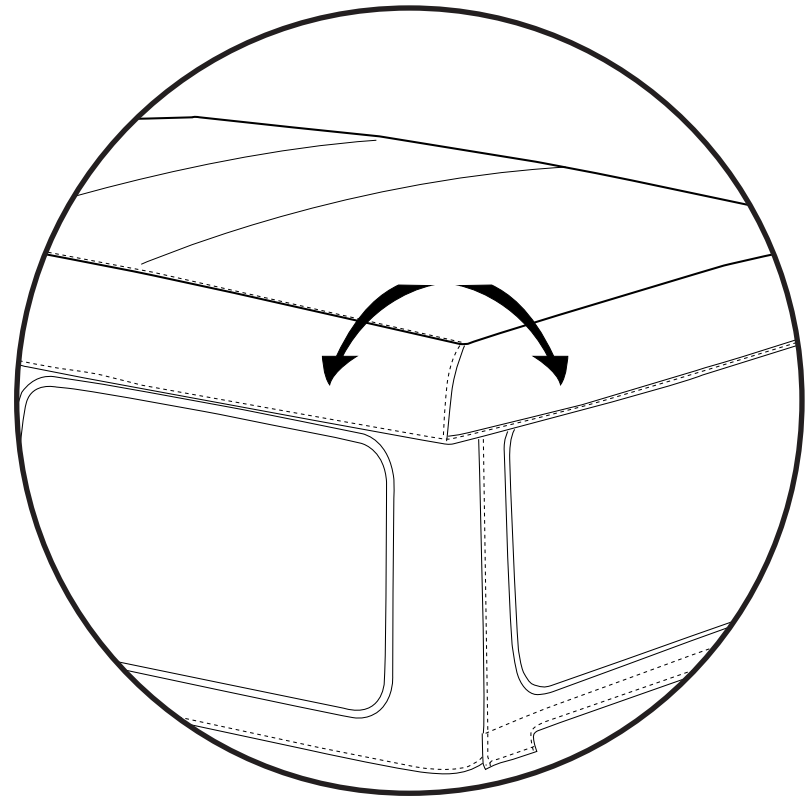


Align the plastic flap on the outboard edge of the Rear Window and insert it into the the plastic groove on the Side Panel.

Repeat on the right side of the vehicle.



Tuck the plastic tabs at the bottom corners of the Rear Window under the Jeep belt rail.
Roll the tabs up underneath the belt rail.



Fold the rear corners of the top down and connect the hook and loop across the top of the side panels.



Warranty Information Trek Top 4-Door

Vehicle Application:
Jeep® Wrangler Unlimited JL 2018-Current
Part Number 54726

WHAT BESTOP WARRANTS

Subject to the terms and conditions of sale, including any terms and conditions set forth by Bestop, Inc. (“Bestop” or “us” or “we”) in our then-current terms of sale on our website (collectively, the “Terms”), Bestop represents and warrants that: the covered products listed in the “Covered Products and Warranty Periods” section (a “Product”) will substantially be free from defects in materials and workmanship for the specified warranty periods set forth in that section.

THE WARRANTY IS LIMITED AND CONDITIONAL

This warranty applies to the original purchaser of the Product only. The warranty is valid only as long as the original retail purchaser owns the vehicle upon which the Product is installed. The warranty expires should the Product be removed from the original vehicle or if the original vehicle is transferred to another owner.

This warranty is not transferable or assignable. The warranty does not apply to Product bought from auction-style or price-bid websites.

THE LIMITED WARRANTY AND STATED REMEDIES ARE SOLE AND EXCLUSIVE AND IN LIEU OF ALL OTHER WARRANTIES AND REMEDIES, AND COMPANY EXPRESSLY DISCLAIMS ALL IMPLIED OR STATUTORY OR OTHER WARRANTIES, INCLUDING WITHOUT LIMITATIONS WARRANTIES OF MERCHANTABILITY, NON-INFRINGEMENT OR FITNESS FOR A PARTICULAR PURPOSE. IN NO EVENT WILL COMPANY BE LIABLE FOR ANY SPECIAL, INCIDENTAL, CONSEQUENTIAL, PUNITIVE, INDIRECT OR EXEMPLARY DAMAGES OF ANY KIND, INCLUDING LOST PROFITS OR REVENUE, HOWEVER CAUSED, WHETHER FOR BREACH OR REPUDIATION OF CONTRACT, TORT, BREACH OF WARRANTY, NEGLIGENCE, OR OTHERWISE, WHETHER OR NOT COMPANY WAS ADVISED OF THE POSSIBILITY OF SUCH LOSS OR DAMAGES.

Some states do not allow exclusion or limitation, so this may not apply to you. This warranty gives you specific legal rights, and you may have other rights which vary from state to state.

EXCLUSIONS TO THE WARRANTY

The Limited Warranty excludes, and Bestop is not liable in any way for any warranty claims, damages, or defects related to:

- Misuse, abuse, accidents, vandalism, negligence, fire, or improper installation or modification, or improper or inadequate maintenance;
- Failure to comply with any Product documentation, Bestop instructions, or applicable law or regulations; use in extreme conditions
- Force Majeure including but not limited to, earthquake, hurricane, tornado, flooding, or other disasters natural or man-made, civil unrest, strikes, declared or undeclared war, or lack of performance by, or discontinued product of, supply chain partners whose products, software, operations or management is beyond the control of Bestop;
- Damage resulting in breakage (including without limitation, spontaneous breakage, accidental breakage or breakage by any other means) of a Product or any component part;
- Damage to vinyl windows due to misuse, or cracking due to varying weather conditions.

YOUR SOLE REMEDY

During the applicable warranty period, Bestop shall, at its option, either repair or replace any Product that it confirms, in its discretion, is non-compliant with the warranties herein. Bestop will not pay for labor charges associated with installation or removal of the Product. Should a specific Product be discontinued, Bestop may, at its option, replace the discontinued Product with a current product or like product.

Please retain your proof of purchase. Original proof of purchase for the Product must accompany any warranty claim. If you have a warranty claim, first you must email Bestop Customer Service at csbestop@bestop.com for instructions. All claims must be emailed to csbestop@bestop.com within 30 days of discovery of a defective Product, but in no event later than thirty days after the end of the applicable Warranty Period (the “Warranty Notice Period”). Warranty claims made after the Warranty Notice Period are null and void and Bestop shall have no responsibility with respect to such claims.

THIS SECTION SETS FORTH BESTOP’S SOLE OBLIGATION & YOUR SOLE REMEDY WITH RESPECT TO ANY DEFECTS OR OTHER PRODUCT ISSUE. ANY PRODUCTS REPLACED UNDER TERMS OF THIS WARRANTY WILL BE COVERED UNDER TERMS & BALANCE OF THE DURATION OF THE ORIGINAL LIMITED WARRANTY FOR SUCH PRODUCT.



Warranty Information Trek Top 4-Door

Vehicle Application:
Jeep® Wrangler Unlimited JL 2018-Current
Part Number 54726

COVERED PRODUCTS AND WARRANTY PERIODS: The warranty time periods are as follows for Products manufactured by Bestop:

BESTOP® LIMITED LIFETIME WARRANTY

Trektop® Pro Twill Fabric Top Sunrider® for Hardtop Twill Fabric Top
Trektop® NX Glide Twill Fabric Top Replace-a-Top™ Twill Fabric Top
Trektop® NX Twill Fabric Top Supertop® NX Twill Fabric Top
EZFold™ Soft Tonneaus Floor & Cargo Liners
ZipRail™ Soft Tonneaus Pet Barriers
EZRoll™ Soft Tonneaus

BESTOP® 5-YEAR LIMITED WARRANTY

Trektop® NX Glide™ Top (non-Twill) Sunrider® for Hardtop (non-Twill) Replace-a-Top™ Top (non-Twill) Trektop® NX Top (non-Twill)
Sailcloth Replace-a-Top™ Supertop® NX Top (non-Twill)
Tigertop™ and Halftop™ Supertop® Classic Soft Top Sunrider® Complete Soft Top Supertop® for Truck
EZ Fold Hard Tonneau

BESTOP® 3-YEAR/100K MILES LIMITED WARRANTY

Powerboard® & Powerboard® NX
Trekstep®, Side Mount
Trekstep®, Rear Mount

BESTOP® 3-YEAR LIMITED WARRANTY

Pavement Ends Sprint Top

BESTOP® 2-YEAR LIMITED WARRANTY

Trektop® Classic Soft Top
RoughRider™ Soft Storage

BESTOP® 1-YEAR LIMITED WARRANTY

All other Bestop® & Pavement Ends™ products not specified above.

For further information or request for warranty work, please contact:

Bestop Inc. Customer Service

Toll-Free: (800)845-3567

E-mail: csbestop@Bestop.com

Website: www.Bestop.com