



WILDERNESS PRODUCTS™

WILDERNESS PRODUCTS

TJ ADVENTURE RACK

1997-2006

PART# 34088



PAGE 1 OF 7

PARTS LIST

LOWER SUPPORT & TOP SUPPORT KIT PAGE 5

- 2 - LOWER SUPPORT BRACKETS RT & LT
- 2 - TOP SUPPORT BRACKETS
- 2 - INSIDE SUPPORT ANGLES
- 6 - 5/16 X 1 CARRIAGE BOLTS
- 2 - 5/16 X 1 BOLTS
- 10 - 5/16 FLATWASHERS
- 8 - 5/16 NYLON LOCKNUTS
- 4 - 5/16 NYLON FLATWASHERS

FRONT AND REAR CONNECTING TUBE KIT PAGES 6 & 7

- 1 - FRONT CONNECTING TUBE (28")
- 1 - REAR CONNECTING TUBE (32 7/8")
- 4 - 5/16 X 1 BUTTON HEAD ALLEN BOLTS
- 4 - 5/16 LOCKWASHERS
- 4 - 5/16 EXTRA THICK FLATWASHERS
- 1 - 3/16 ALLEN WRENCH

REAR SUPPORTS KIT PAGE 6

- 2 - REAR SUPPORTS RT & LT
- 2 - 3/8 X 1 1/4 CARRIAGE BOLTS
- 2 - 3/8 FLATWASHERS
- 2 - 3/8 NYLON FLATWASHERS
- 2 - 3/8 NYLON LOCKNUTS
- 2 - 7/16 X 1 1/2 BOLTS
- 4 - 7/16 SAE FLATWASHERS
- 2 - 7/16 LOCKWASHERS
- 2 - 7/16 NYLON FLATWASHERS
- 2 - 7/16 NUTS

FRONT SUPPORT BRACKETS PAGE 7

- 2 - FRONT SUPPORTS RT & LT
- 4 - 5/16 X 1 1/4 BOLTS
- 4 - 5/16 LOCKWASHERS
- 4 - 5/16 FLATWASHERS
- 4 - 3/8 NYLON FLATWASHERS (1 1/8 DIA.)

TOP SUPPORT BARS AND TOP SUPPORT CROSSBAR KIT PAGE 3

- 2 - TOP SUPPORT BARS RT & LT (66 1/2")
- 1 - TOP SUPPORT CROSSBAR (40 3/8")
- 6 - 3/8 X 1 1/4 CARRIAGE BOLTS
- 6 - 3/8 USS FLATWASHERS
- 6 - 3/8 NYLON LOCKNUTS

LICENSE PLATE KIT PAGE 5

- 1 - LICENSE PLATE BRACKET
- 2 - 5/16 X 1 CARRIAGE BOLTS
- 2 - 5/16 FLATWASHERS
- 2 - 5/16 NYLON LOCKNUTS
- 2 - 1/4 X 3/4 PHILLOPS HEAD BOLTS
- 2 - 1/4 FLATWASHERS
- 2 - 1/4 NYLON LOCKNUTS

Garvin Jeep TJ Wrangler Adventure Rack

Part# 34088

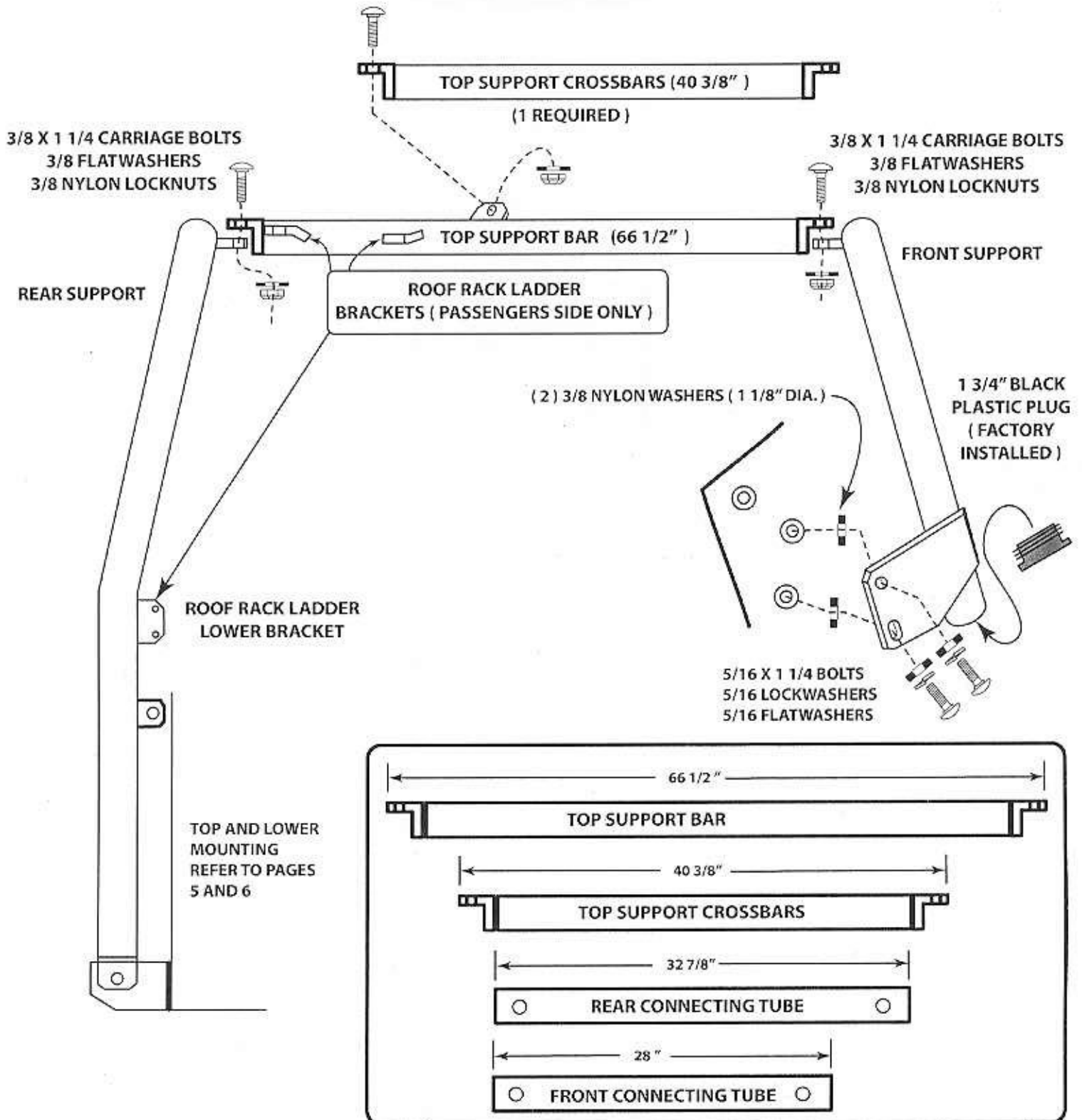
Installation Instructions

1. Half and full door models require top door hinge modification. Refer to page 7, figure F.
2. Remove rear license plate and factory license holder.
3. Measure and drill 6-3/8" dia. Holes as shown on page 4. Double check all measurements before drilling.
4. Remove the two rear body mount bolts, refer to page 5, figure D. Loosen the three body mount bolts, located below the door about three turns.
5. On one side, use a long screwdriver or pry bar to raise the body away from the rear body mount and top washer. Take the lower support bracket and slide under the body and on top of the rubber mount washer, as shown on page 5, figure D. Lower body on rubber mount and re-install rear body mount bolt, leave loose. Line up the square hole in the support bracket with the 3/8" dia. Round hole that was drilled in step #3. Install the 5/16 x 1 carriage bolt through the square hole and round hole as shown on page 5, figure D. Repeat procedure on other side.
6. Install the inside support angle bracket (long side up) as shown on page 5, figure D. Note! On some Jeeps a rubber covering must be moved to gain access to the area.
7. Tighten all mounting hardware and all body mounting bolts at this time.
8. Install the top support brackets as shown on page 5, figure C. Level brackets and slightly tighten to hold in place.
9. Install the rear supports to the top and bottom brackets as shown on page 6. Leave very loose.
10. Spread rear supports and install the rear connecting tube (32 7/8"L) to the rear supports, refer to page 6. Starting bolts should be finger tight only.
11. Align rear supports and tighten all fasteners.
12. Install license plate bracket to drivers side rear support as shown on page 5, figure E. Align, tighten, and reinstall rear license plate.
13. Install front supports to windshield brackets as shown on pages 3 and 7. Leave hardware loose. Spread top supports and install front connecting tube (28"L), as shown on page 7. Starting bolts should be finger tight only.
14. Slightly tighten all fasteners to hold in place at this time.
15. Install top support bars (66 1/2"L) to front and rear mounts and install top support crossbar (40 3/8" L) to support bars.
16. Align and tighten all fasteners on rack and Jeep body.

Weather Proofing Connecting Joints:

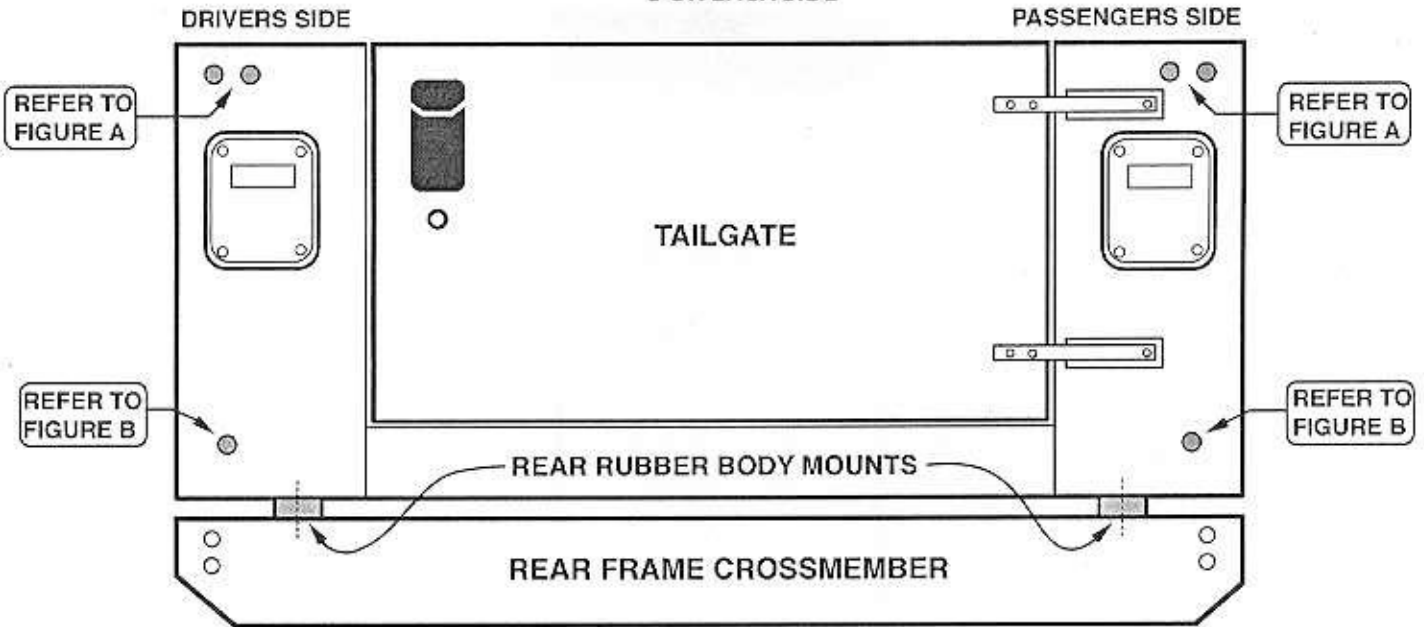
- Back out the 5/16 button head allen bolts approx. 1/4" from the tubes. Apply black silicon to the threads and hold. Re-tighten bolt.
- Apply black silicon around the area where the front and rear tubes slide over the supports.
- Touch up all nicks and scratches that normally occur with a black enamel paint.

Accessories for this rack includes a passengers side ladder, #34090 and a new low profile basket, part# 44024. You can purchase these accessories on our website: www.wildernessracks.com



WILDERNESS ADVENTURE RACK
PART # 34088

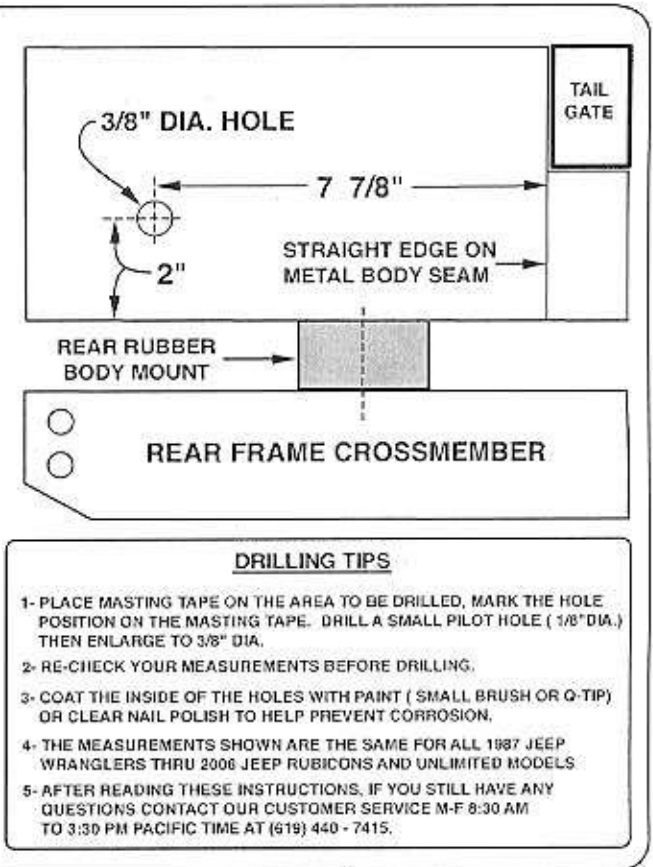
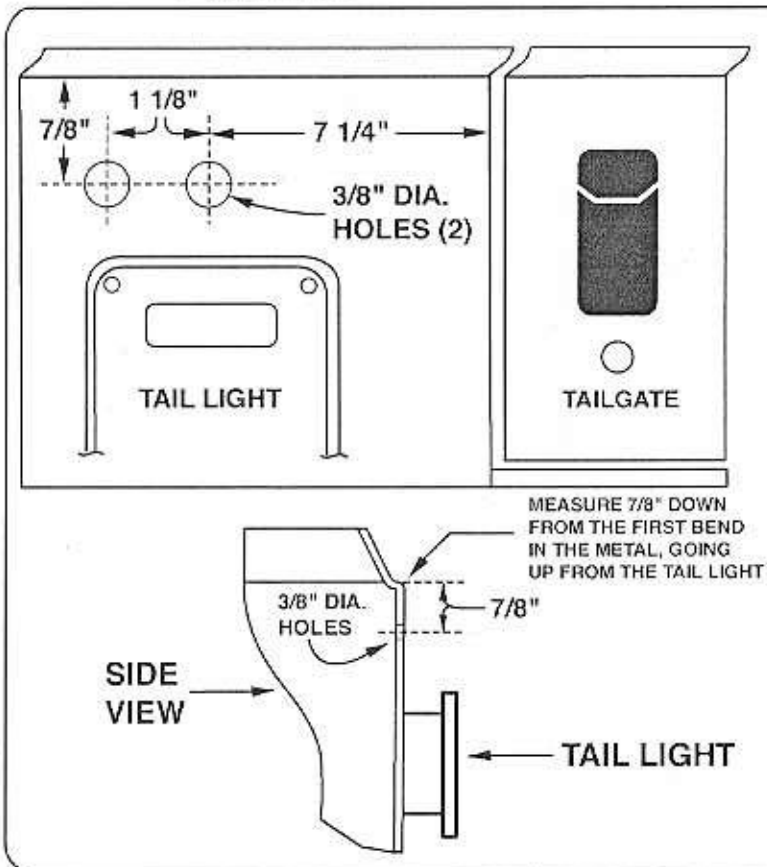
INSTRUCTIONS FOR DRILLING
REAR MOUNTING HOLES
6 - 3/8" DIA. HOLES
3 ON EACH SIDE



USE THE SAME MEASUREMENTS AS SHOWN IN FIGURES A & B FOR BOTH THE DRIVERS SIDE AND THE PASSENGERS SIDE.

FIGURE A

FIGURE B



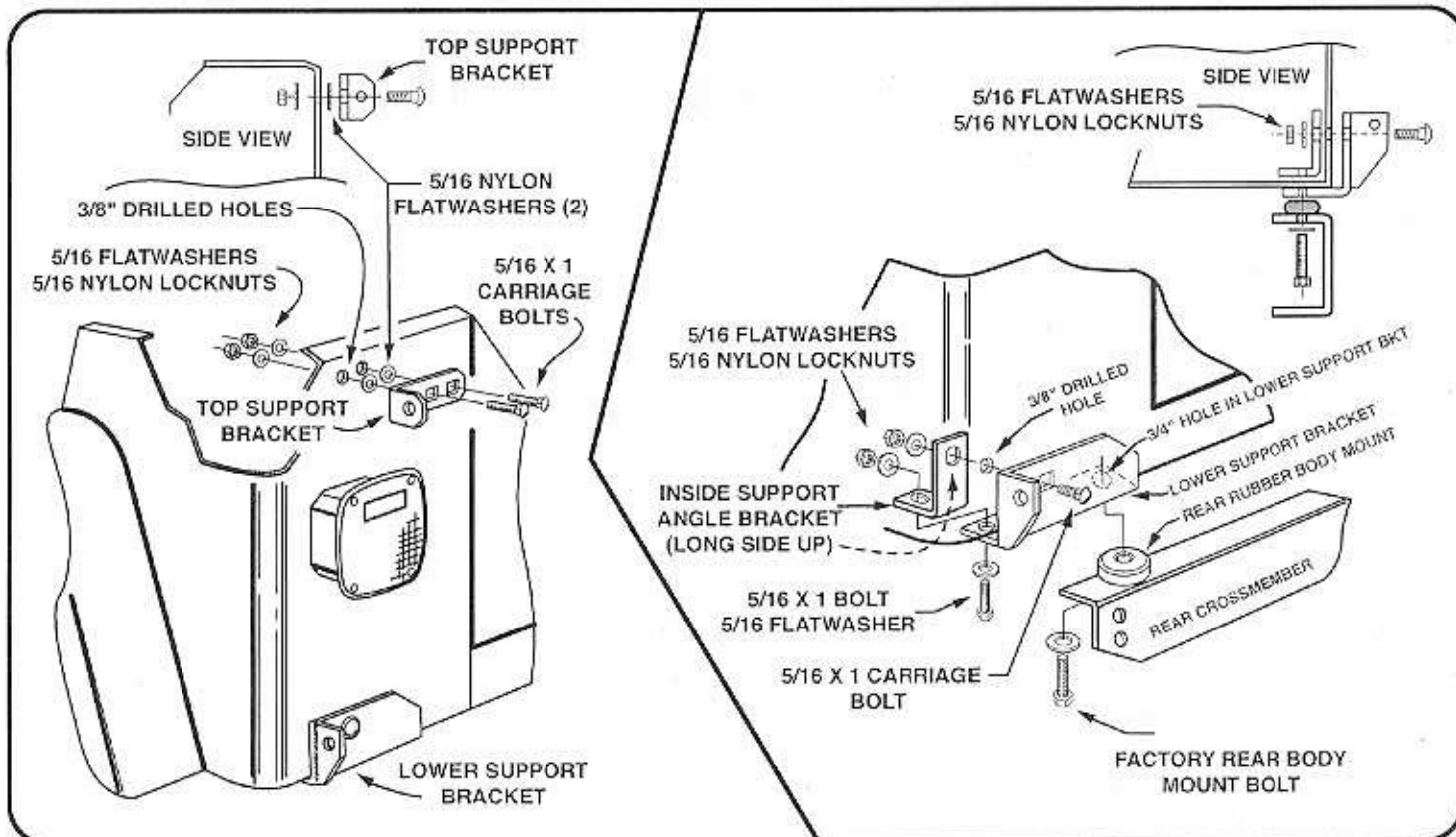
DRILLING TIPS

- 1- PLACE MASTING TAPE ON THE AREA TO BE DRILLED, MARK THE HOLE POSITION ON THE MASTING TAPE. DRILL A SMALL PILOT HOLE (1/8" DIA.) THEN ENLARGE TO 3/8" DIA.
- 2- RE-CHECK YOUR MEASUREMENTS BEFORE DRILLING.
- 3- COAT THE INSIDE OF THE HOLES WITH PAINT (SMALL BRUSH OR Q-TIP) OR CLEAR NAIL POLISH TO HELP PREVENT CORROSION.
- 4- THE MEASUREMENTS SHOWN ARE THE SAME FOR ALL 1987 JEEP WRANGLERS THRU 2006 JEEP RUBICONS AND UNLIMITED MODELS
- 5- AFTER READING THESE INSTRUCTIONS, IF YOU STILL HAVE ANY QUESTIONS CONTACT OUR CUSTOMER SERVICE M-F 8:30 AM TO 3:30 PM PACIFIC TIME AT (619) 440 - 7415.

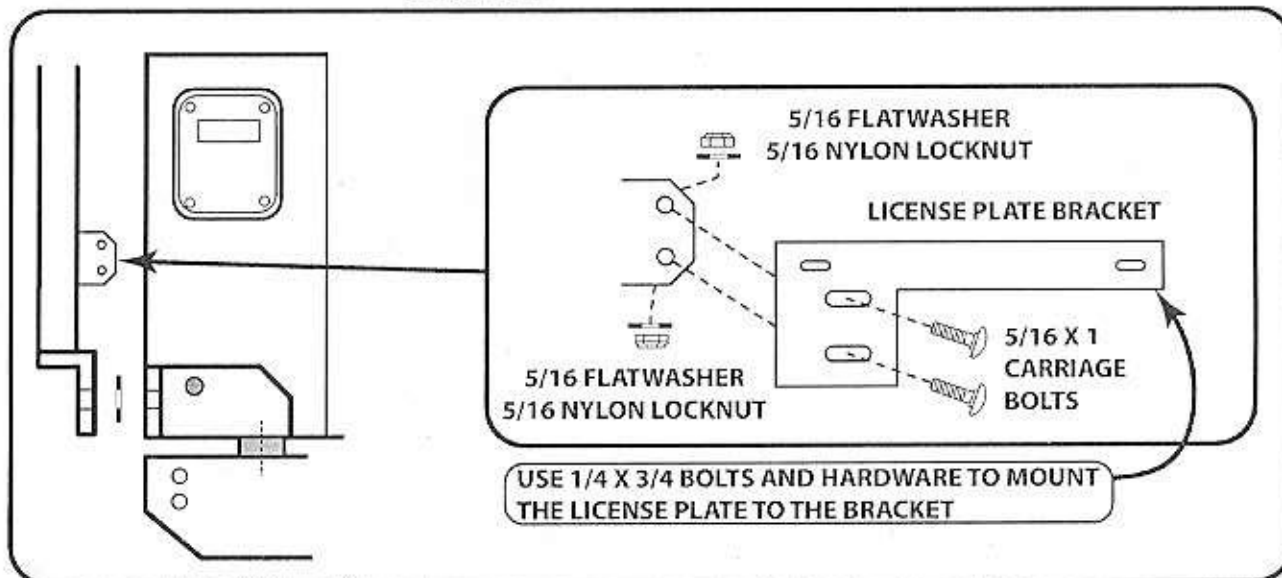
TOP SUPPORT BRACKET-----LOWER SUPPORT BRACKET -----LICENSE PLATE BRACKET INSTALLATION INSTRUCTIONS

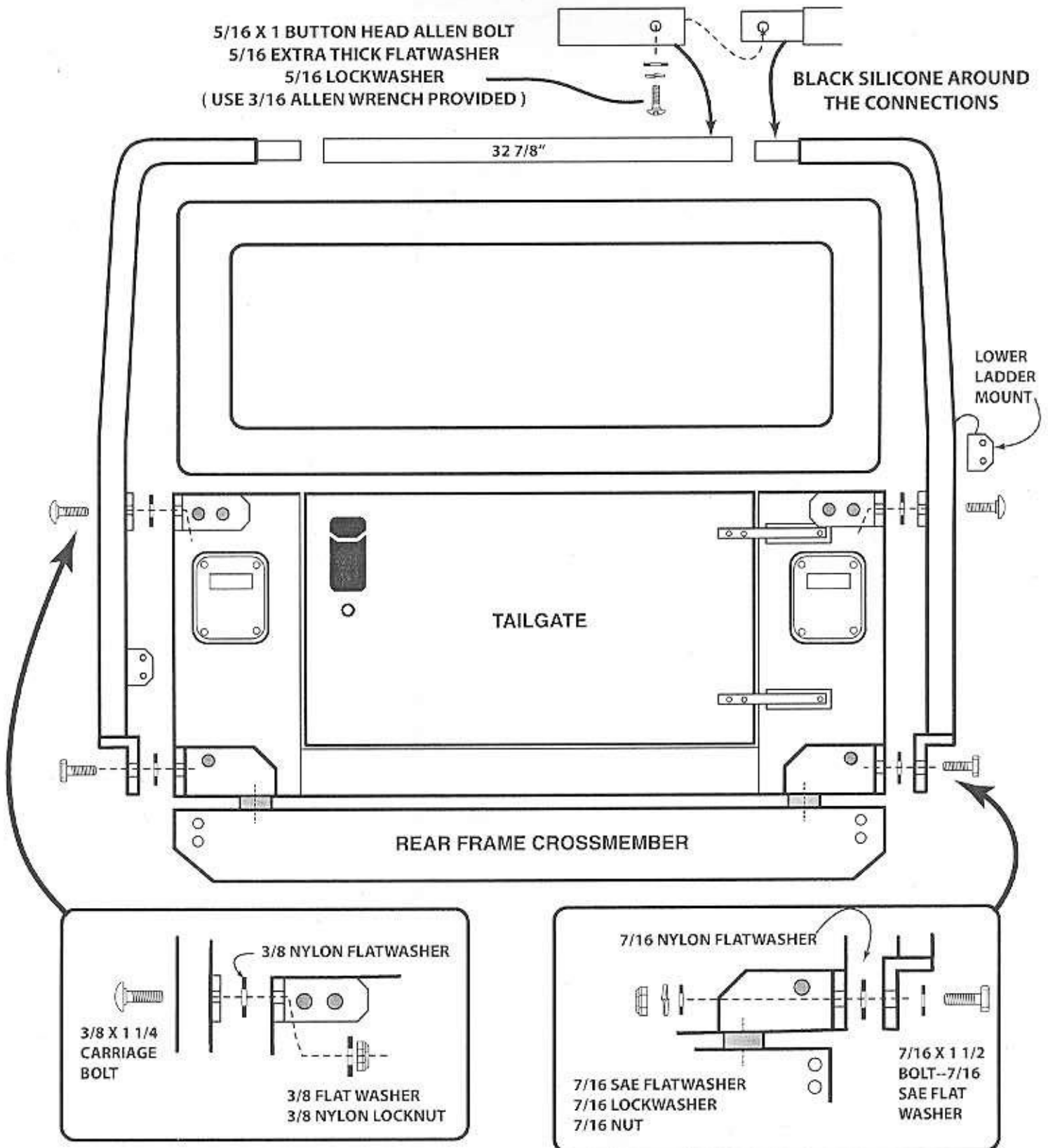
TOP SUPPORT BRACKET FIGURE C

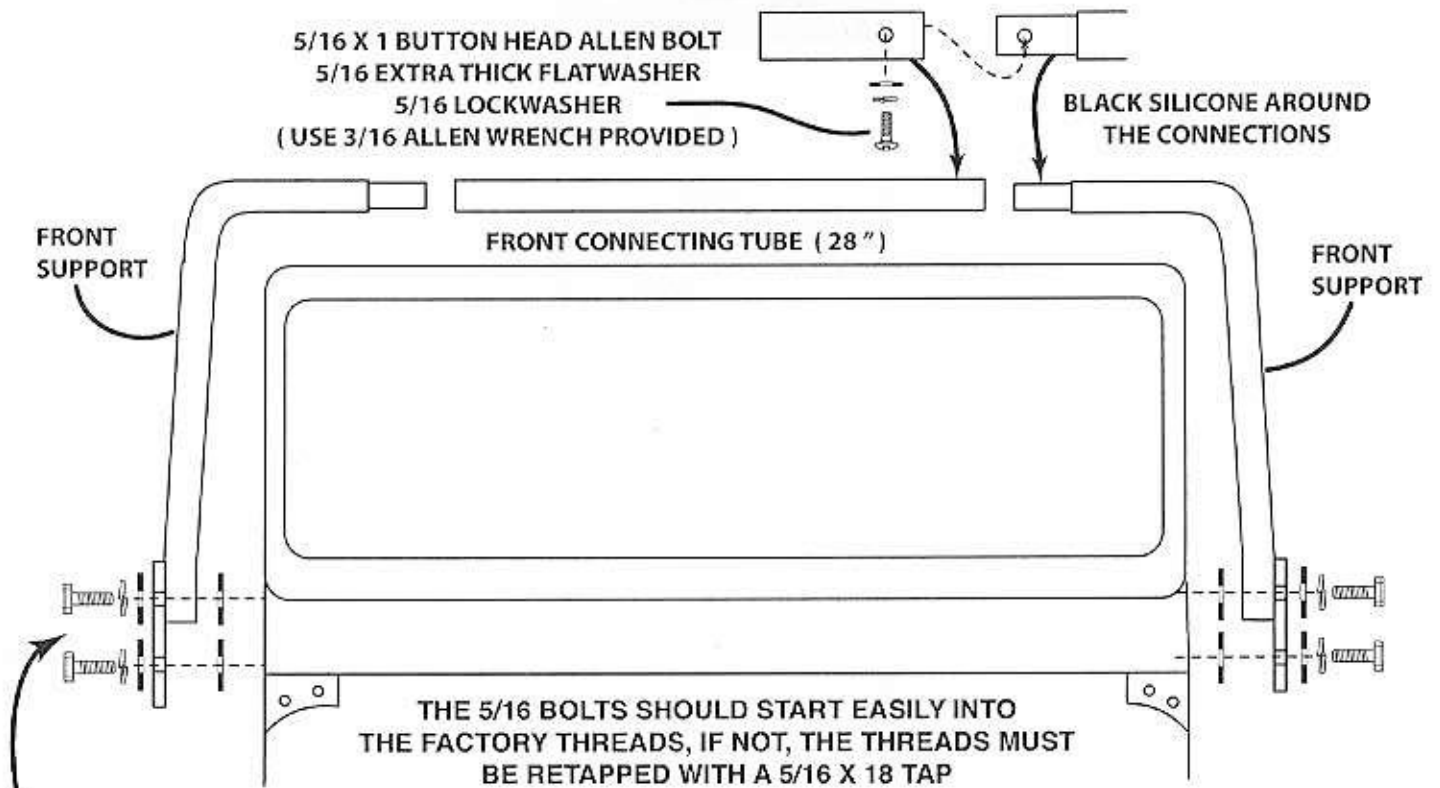
LOWER SUPPORT BRACKET FIGURE D



LICENSE PLATE BRACKET FIGURE E







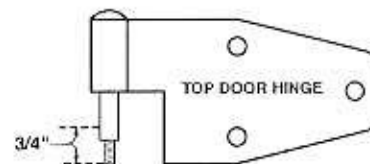
INSTALLATION TIPS

- 1- CLEAN THE PAINT FROM THE INSIDE OF THE WINDSHIELD TOP HINGE TORQ BOLTS.
- 2- USE A GOOD QUALITY T-40 TORQ SOCKET AND RATCHET HANDLE.
- 3- APPLY INBOARD PRESSURE WHEN REMOVING TORQ BOLTS, TO HELP PREVENT SLIPPING.

FIGURE F

TOP DOOR HINGE MODIFICATION

COMPLETE THIS DOOR HINGE MODIFICATION BEFORE INSTALLING THE ROOF RACK FRONT SUPPORT BRACKETS. THE FRONT DOORS CAN NOT BE REMOVED AFTER THE ROOF RACK INSTALLATION UNLESS THIS MODIFICATION IS DONE.



- 1- REMOVE THE NUTS FROM THE FRONT DOOR HINGES AND REMOVE THE DOORS.
- 2- MEASURE AND CUT 3/4" OFF THE TOP DOOR HINGE PIN—AS SHOWN.
- 3- FILE EDGES SMOOTH, LUBRICATE AND REINSTALL DOORS, REINSTALL NUTS ON LOWER HINGES ONLY.

