

## PART # 20032

### PARTS LIST

**ROOF RACK ASSEMBLY  
KIT PAGE 2**

- 1 - FRONT RACK END 54"  
( TAPERED )
- 1 - REAR RACK END 54"  
( EVEN )
- 2 - SIDES ( 12 1/2" X 4" )
- 1 - BOLT KIT # 2000

**FLOORING KIT PAGE 3  
FIGURES A & B**

- 8 - ALUMINUM FLOORS  
( 1/4 X 29 1/4" )
- 16 - 5/16 X 1 1/2 CARRIAGE  
BOLTS
- 16 - 3/8 H. D. FLATWASHERS  
( 1 3/8" DIA )
- 16 - 5/16 NYLON LOCKNUTS

**4 - ASSEMBLED LOWER RAINGUTTER  
MOUNTS PAGE 3 FIGURE B**

EACH LOWER MOUNT CONTAINS  
THE FOLLOWING

- 1 - LOWER RAINGUTTER MOUNT W/PAD
- 1 - RAINGUTTER BOTTOM CLIP
- 2 - 3/8" BLACK SPACERS
- 2 - 5/16 X 1 1/4 CARRIAGE BOLTS
- 3 - 5/16 FLATWASHERS
- 3 - 5/16 NYLON LOCKNUTS

### INSTALLATION INSTRUCTIONS

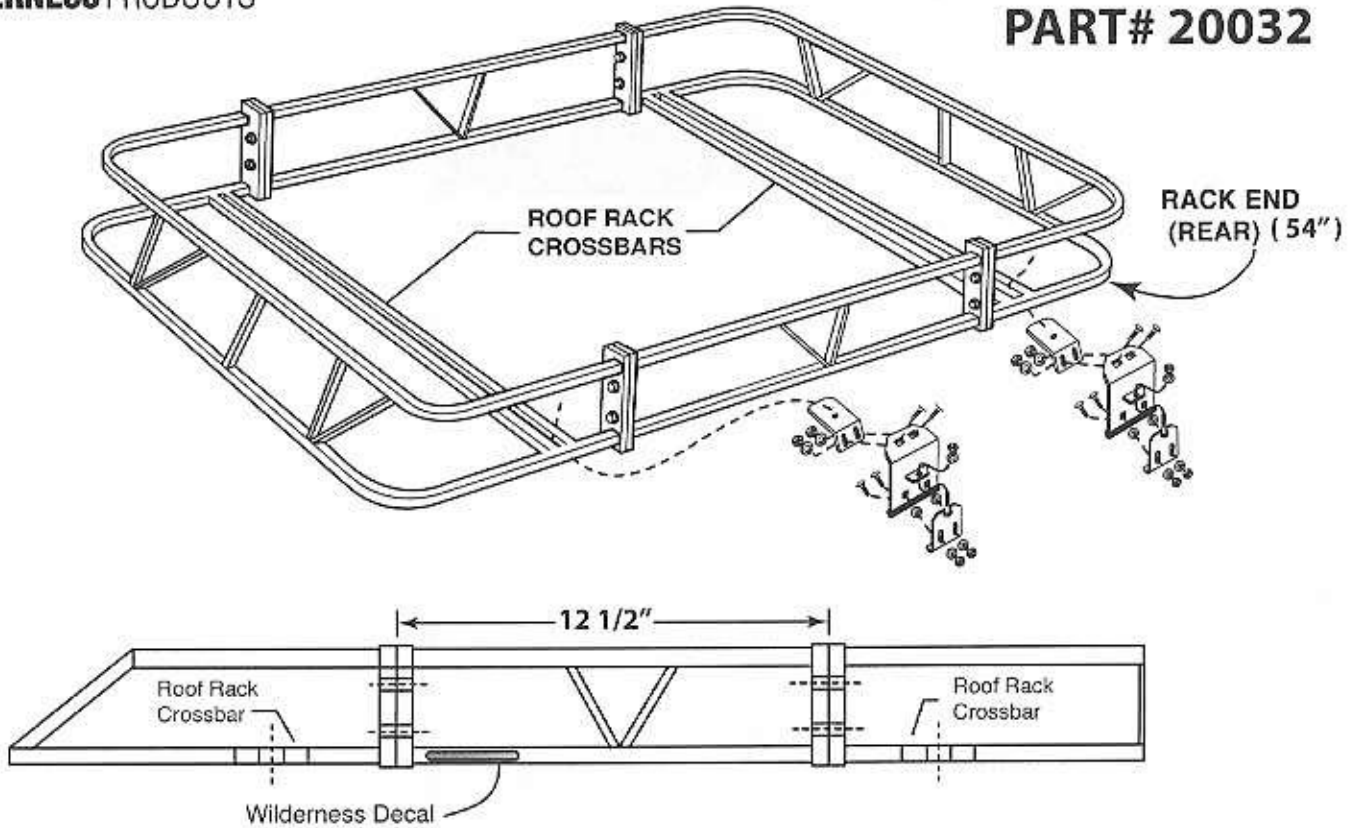
- 1 - ASSEMBLE ROOF RACK AS SHOWN, PAGE 2.  
ALIGN AND TIGHTEN ALL HARDWARE.
- 2 - INSTALL ALUMINUM FLOORING AS SHOWN, PAGE 3 FIGURE A  
( NOTE --- 4" SPACING ON THE FIRST FLOOR PIECE ON EACH SIDE )
- 3 - ASSEMBLE ROOF RACK CLAMPS AS SHOWN, PAGE 3 FIGURE B.  
LEAVE LOOSE.
- 4 - ASSEMBLE RUBBER BUMP STOP ONTO THE 5/16 ALL THREAD BOLT  
AND TIGHTEN HARDWARE. SCREW BUMP STOP INTO THREADED  
PART OF TOP SUPPORT, LEAVE LOOSE
- 5 - INSTALL LOOSE CLAMP ASSEMBLIES INTO RAIN GUTTER AND SPACE  
AS SHOWN , PAGE 2 FIGURE C. SLIGHTLY TIGHTEN TO HOLD IN PLACE.
- 6 - ADJUST BUMP STOP AGAINST ROOF UNTILL TOP SUPPORT IS LEVEL.
- 7 - SET ASSEMBLED ROOF RACK ON MOUNTING CLAMPS AND SECURE AS  
SHOWN , PAGE 3 FIGURE B.
- 8 - POSITION ROOF RACK ON VEHICLE , ALIGN AND TIGHTEN ALL FASTENERS.
- 9 - AFTER ROOF RACK IS IN POSITION, RAISE UP BUMP STOPS, REMOVE BACKING  
FROM 3M SCUFF PADS AND INSTALL TO ROOF TOP RE-ADJUST BUMP STOP SO  
IT JUST TOUCHES 3M PAD AND LOCK DOWN WITH LOCKING NUT.
- 10 - THIS TYPE OF PRODUCT IS ALWAYS SUBJECT TO NICKS AND SCRATCHES. TOUCH UP ALL NICKS AND  
SCRATCHES WITH A RUST PREVENTATIVE SATIN BLACK PAINT ( NUTS AND BOLTS INCLUDED ) FAILURE TO  
TOUCH-UP WILL RESULT IN RUSTING. IF RUSTING IS VISIBLE CLEAN AND COAT WITH PAINT.
- 11 - CAUTION !!!!!!! LOADING AND WEIGHT CAPACITY. USE COMMON SENSE WHEN LOADING ITEMS ON THE RACK.  
THE RACK WILL SUPPORT MORE THAN THE FACTORY RECOMMINDS, SO GO BY THE FACTORY RECOMMENDED  
WEIGHT LIMITS FOR LOADING THIS ROOF RACK. USUALLY AROUND 200 LBS, EVENLY SPACED OVER THE WHOLE  
RACK IS A SAFE RECOMMENDATION.

**4 - TOP SUPPORT PLATE KITS  
PAGE 3 FIGURE B**

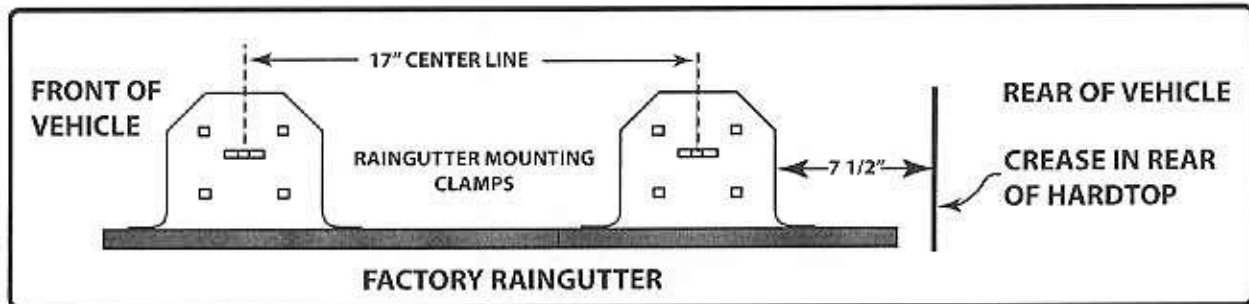
EACH KIT CONTAINS  
THE FOLLOWING

- 1 - TOP SUPPORT PLATE  
( THREADED )
- 1 - 1 1/2" RUBBER BUMP STOPS
- 1 - 3M SCUFF PAD
- 2 - 5/16 X 1 CARRIAGE BOLTS
- 2 - 5/16 FLATWASHERS
- 2 - 5/16 NUTS
- 2 - 5/16 NYLON LOCKNUTS
- 1 - 3/8 FENDER WASHER
- 1 - 5/16 LOCKWASHER
- 1 - 5/16 X 2" ALL THREAD BOLT
- 1 - 3/8 X 1 1/2 CARRIAGE BOLT
- 1 - 3/8 HD. FLATWASHER
- 1 - 3/8 THIN NYLON LOCKNUT

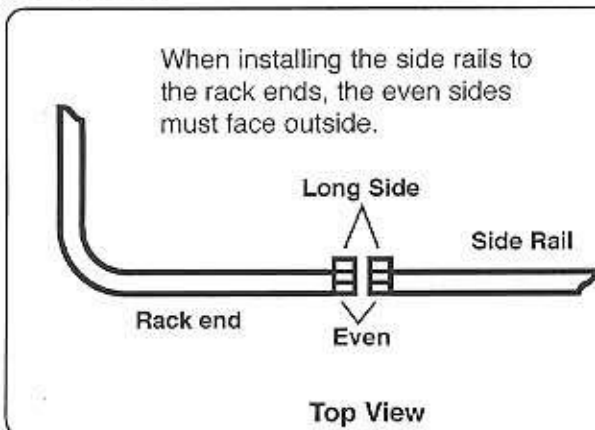
**PART# 20032**



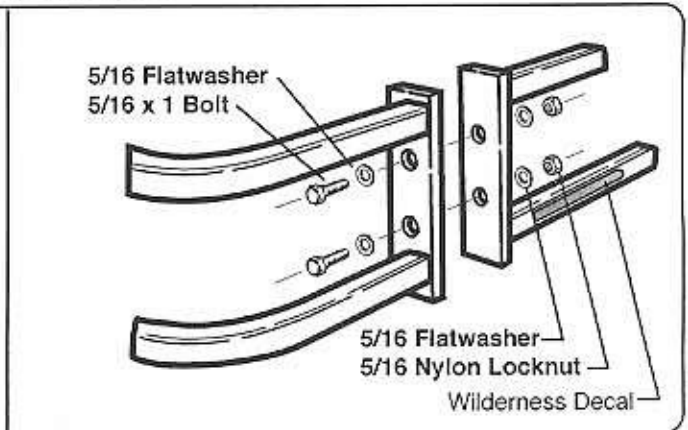
**FIGURE C**



**FIGURE A**



**FIGURE B**



## PART# 20032

