



INSTALLATION GUIDE: AWE Jeep Wrangler JL Exhaust

For up-to-date– information, please visit the products page on AWE-Tuning.com

THIS GUIDE IS INTENDED FOR THE FOLLOWING PART NUMBERS:

- 3015-21003 AWE Trail Edition Catback Exhaust for Jeep JL/JLU 3.6L
- 3015-21005 AWE Trail Edition Catback Exhaust for Jeep JL/JLU 2.0T
- 3015-32001 AWE Tread Edition Axleback Dual Exhaust for Jeep JL/JLU 3.6L/2.0T - Chrome Silver Tips
- 3015-33001 AWE Tread Edition Axleback Dual Exhaust for Jeep JL/JLU 3.6L/2.0T - Diamond Black Tips
- 3015-11001 AWE Resonated Mid Pipe for Jeep JL/JLU 3.6L
- 3020-11001 AWE Non-Resonated Mid Pipe for Jeep JL/JLU 3.6L
- 3015-11003 AWE Resonated Mid Pipe for Jeep JL/JLU 2.0T
- 3020-11003 AWE Non-Resonated Mid Pipe for Jeep JL/JLU 2.0T

Welcome to the AWE family, and congratulations on your purchase of the AWE Exhaust system for the Jeep JL.

Exquisite build quality and craftsmanship, coupled with industry leading performance, distinguish this exhaust system from all others.

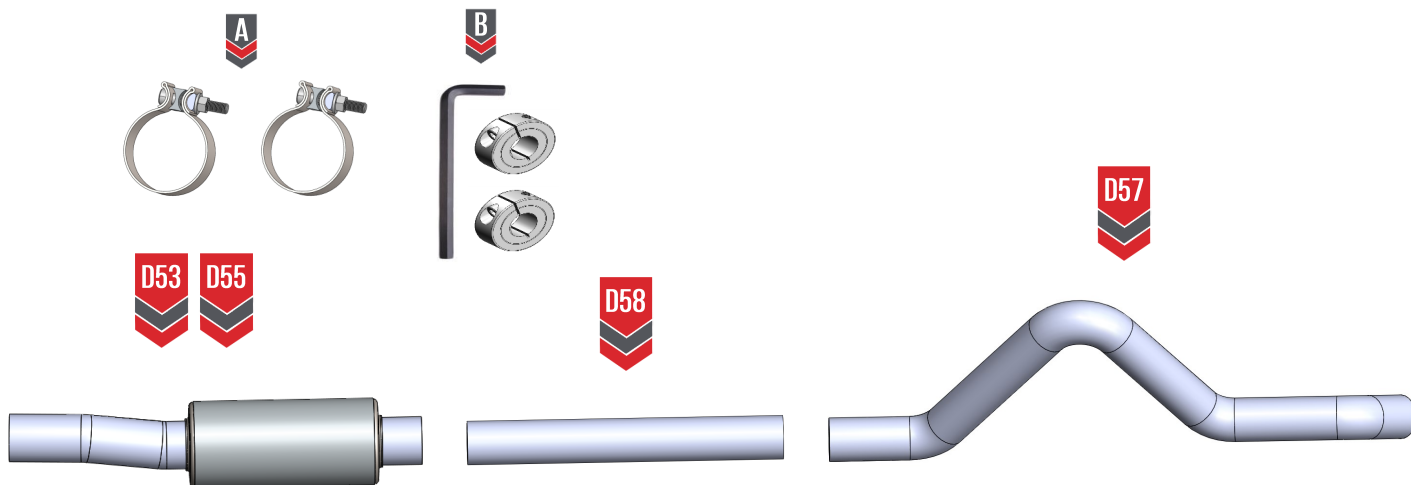
*For up to the minute fitment information, be sure to visit the AWE website. As always, AWE Performance Specialists are standing by for any questions, [right here](#).

PARTS LIST (TRAIL EDITION)



INSPECT ALL PARTS PRIOR TO DISASSEMBLY OF VEHICLE; IF DAMAGED OR MISSING, PLEASE CONTACT THE PLACE OF PURCHASE IMMEDIATELY.

Symbol	Part Number	Description	QTY
JL 3.6L ONLY—3015-21003			
	D55	JL Jeep Wrangler 3.6L Flared Inlet 75/76MM with 3X6 Resonator	1
JL 2.0L ONLY—3015-21005			
	D53	JL Jeep Wrangler 2.0L Flared Inlet 80-81MM with 3X6 Resonator	1
JL ALL			
	D58	JL Jeep Wrangler Extension Tube For (JLU 4 door)	1
	D57	JL Jeep Wrangler Rear Tube	1
A >>	TAS300	3.00in Accu-Seal, Stainless Steel Band Clamp	2
B >>	3910-11012	Hanger Clamp Kit - 2 Split C-Clamps and 1 Allen Wrench 9/64	1

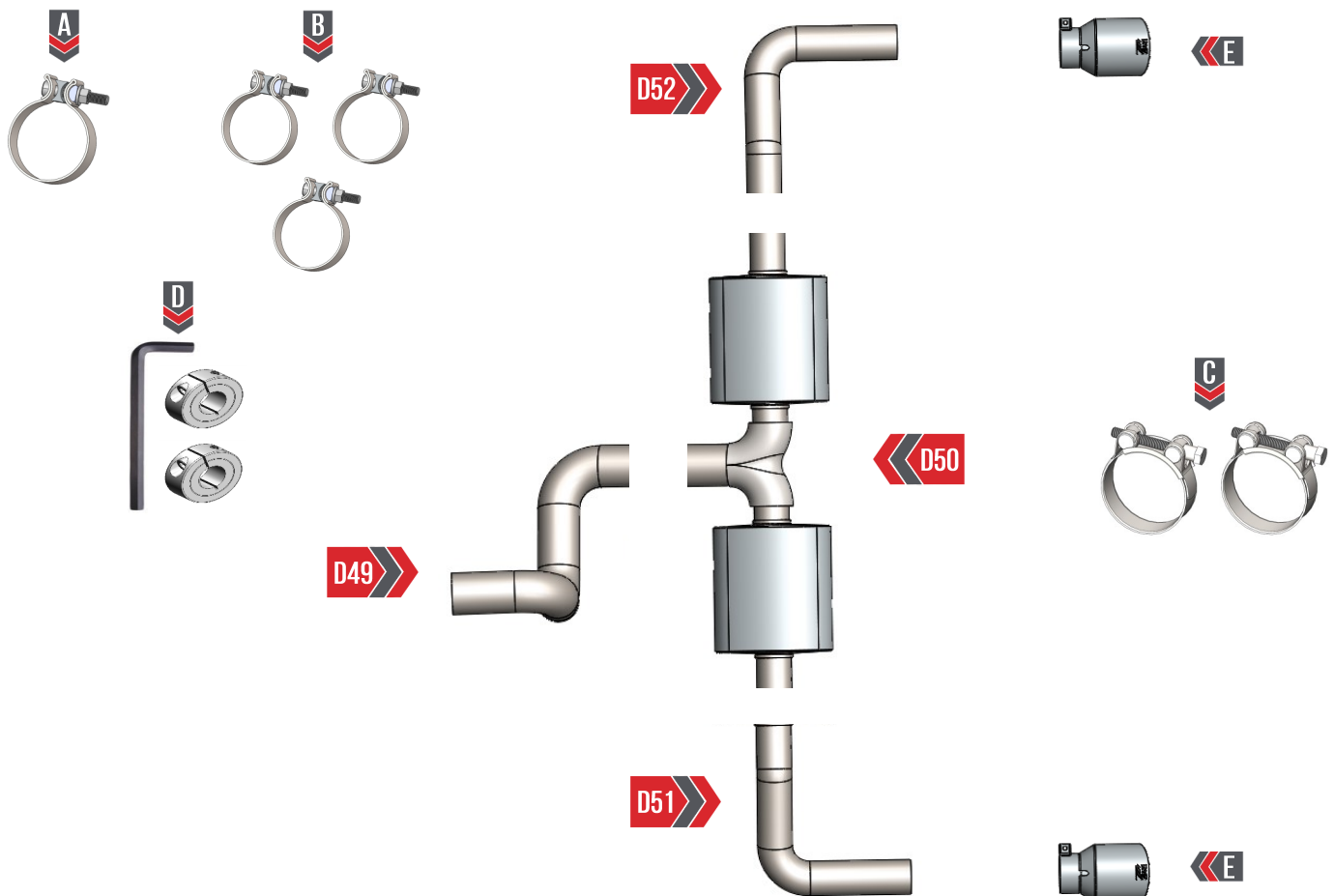


PARTS LIST (TREAD EDITION AXLEBACK)



INSPECT ALL PARTS PRIOR TO DISASSEMBLY OF VEHICLE; IF DAMAGED OR MISSING, PLEASE CONTACT THE PLACE OF PURCHASE IMMEDIATELY.


Symbol	Part Number	Description	QTY
JL ALL			
	D49	JL Jeep Wrangler Axle Back Inlet Tube	1
	D50	JL Jeep Wrangler Twin HR1 Assembly	1
	D51	JL Jeep Wrangler Driver Outlet Tube	1
	D52	JL Jeep Wrangler Passenger Outlet Tube	1
A >>	TAS300	3.00in Accu-Seal, Stainless Steel Band Clamp	1
B >>	TAS250	2.50in (63.5mm) Accu-Seal, Stainless Steel Band Clamp	3
C >>	BHM8X079SS00C	Barrel Hardware Clamp	2
D >>	3910-11012	Hanger Clamp Kit - 2 Split C-Clamps and 1 Allen Wrench 9/64	1
Chrome Tips ONLY—3015-32001			
E >>	61000078	Chrome Plated 77mm Inlet, 114mm OD	2
Black Tips ONLY— 3015-33001			
E >>	61000474	Black Chrome 77mm Inlet, 114mm OD	2

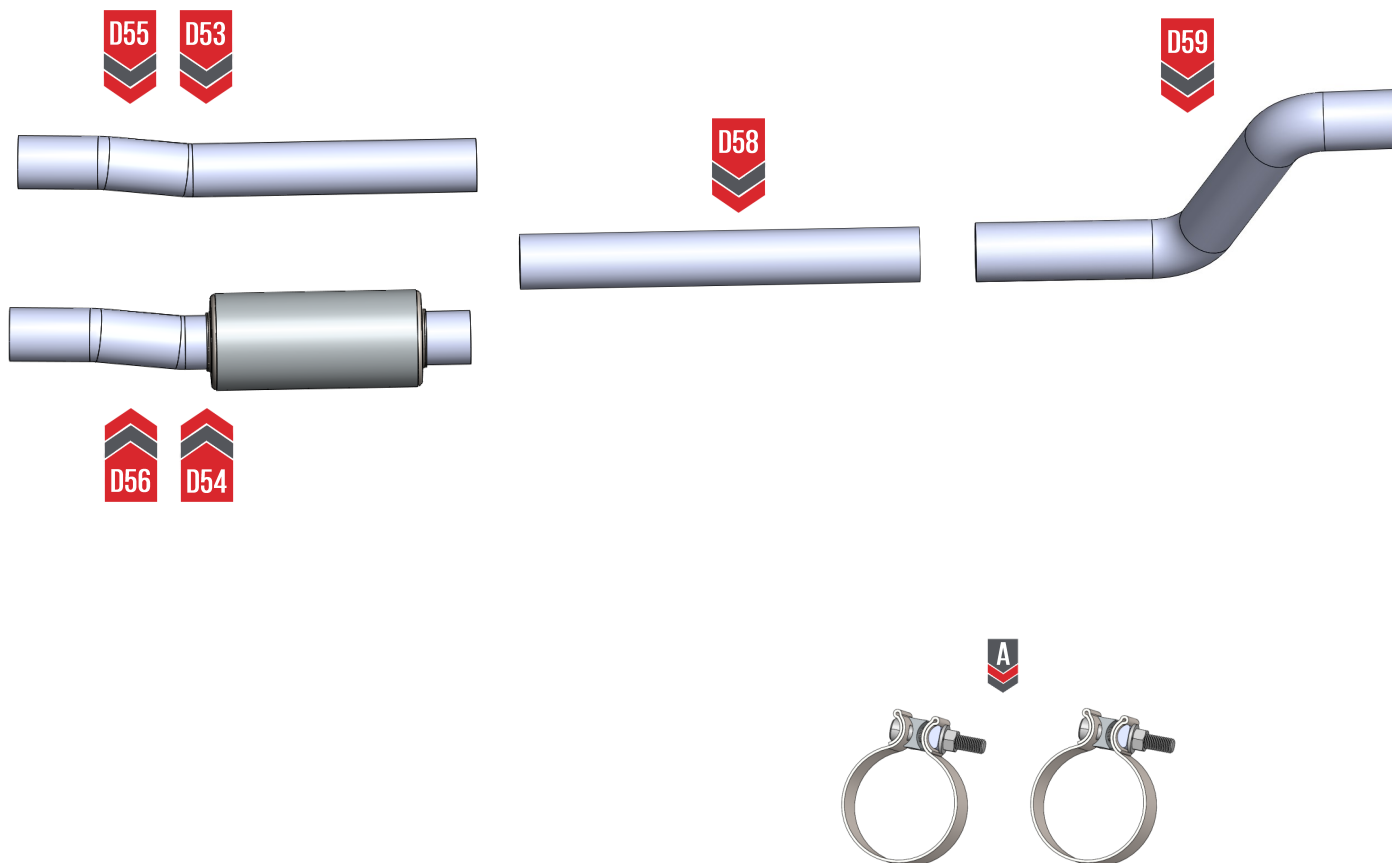


PARTS LIST (MID PIPE SYSTEMS)



INSPECT ALL PARTS PRIOR TO DISASSEMBLY OF VEHICLE; IF DAMAGED OR MISSING, PLEASE CONTACT THE PLACE OF PURCHASE IMMEDIATELY.

Symbol	Part Number	Description	QTY
JL ALL			
	D58	JL Jeep Wrangler Extension Tube For (JLU 4 door)	1
	D59	JL Jeep Wrangler Over Axle Tube	1
	TAS300	3.00in Accu-Seal, Stainless Steel Band Clamp	2
Resonated 3.6L — 3015-11001			
	D55	JL Jeep Wrangler 3.6L Flared Inlet 75/76MM with 3X6 Resonator	1
Non-Resonated 3.6L — 3020-11001			
	D56	JL Jeep Wrangler 3.6L Flared Inlet 75/76MM Non Res	1
Resonated 2.0L — 3015-11003			
	D53	JL Jeep Wrangler 2.0L Flared Inlet 80-81MM with 3X6 Resonator	1
Non-Resonated 2.0L — 3020-11003			
	D54	JL Jeep Wrangler 2.0L Flared Inlet 80-81MM Non Res	1





NOTE: Always refer to the manufacturer's service manual for precise torque specifications on all OEM fasteners.



CAUTION: The exhaust may be **VERY HOT** — allow adequate time for the system to cool down before disassembly. Severe burns and injury will occur if skin comes into contact with a hot exhaust system.

STEP 1

To begin remove the OE rear muffler, this is achieved by loosening the exhaust clamp (A) and detaching the 2 OE hangers (B).



Soak all bolts in penetrant fluid before working.

Note: OE hangers WILL be reused.

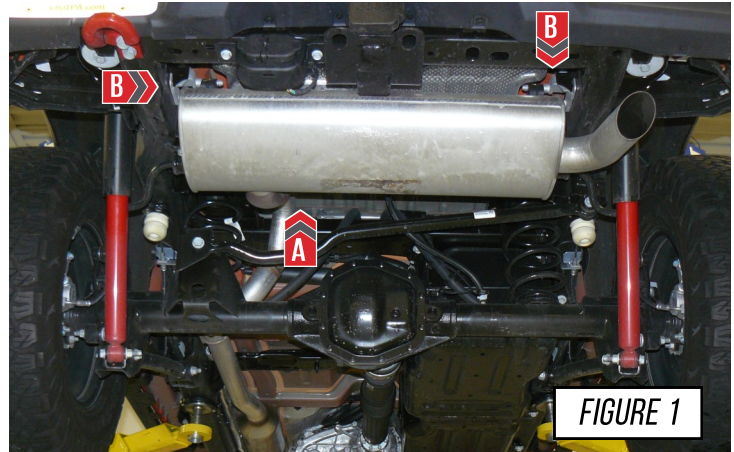


FIGURE 1



IF ONLY INSTALLING THE AXLE-BACK EXHAUST SYSTEM, SKIP TO STEP 8



STEP 2

To remove the mid pipe, loosen the OE ball clamp bolt, than the OE ball socket has a locking tab that will need to be disengaged.

To do so insert a pick and bend the tab out (A) as shown in **Figure 2-1**. Next pull the ball socket clamp off of the slip joint (B) as shown in **Figure 2-2**.

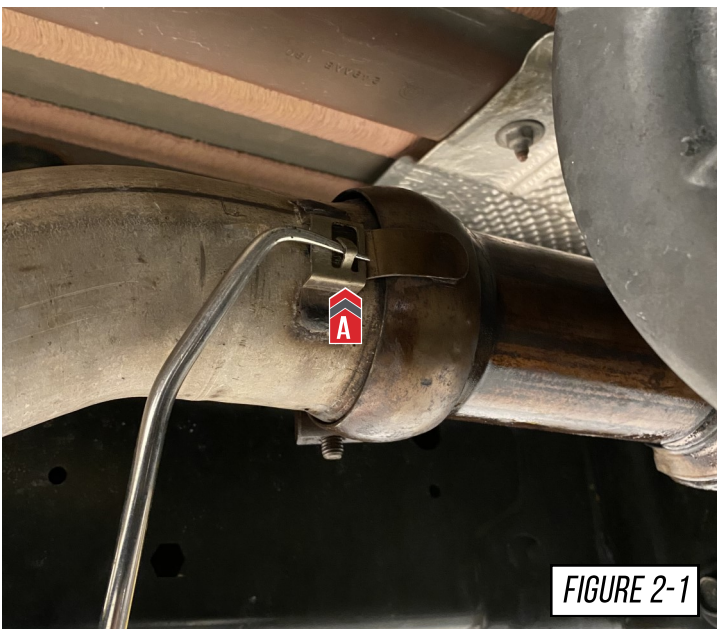


FIGURE 2-1



FIGURE 2-2

STEP 3

With the mid pipe unbolted, detach the exhaust from the OE hanger and remove the OE mid pipe from the vehicle, as shown in **Figure 3**.

Note: OE rubber hanger mount will be reused.

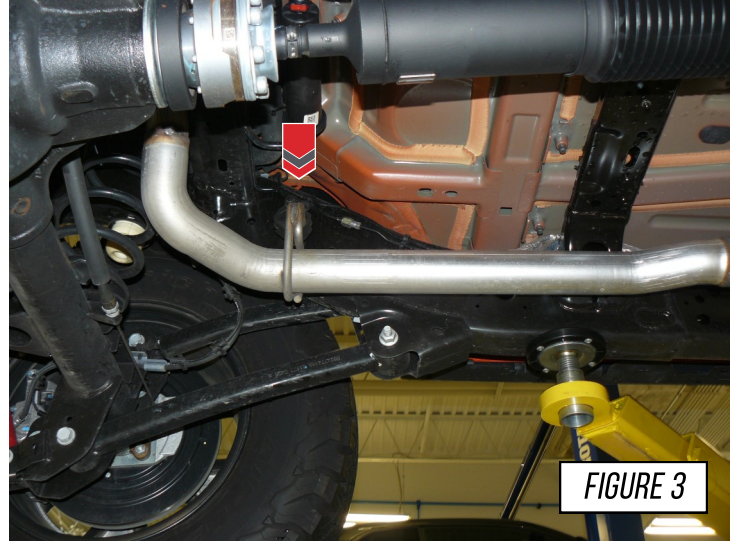


FIGURE 3

STEP 4

Install the AWE front pipe, use the OE ball clamp (**A**), at this point just snug the clamp to allow for future alignment, as shown in **Figure 4**.

Note:

- D53 - Resonated 2.0L
- D54 - Non-Resonated 2.0L
- D55 - Resonated 3.6L
- D56 - Non-Resonated 3.6L



FIGURE 4

STEP 5

It is crucial to install each section and exhaust band clamps correctly to prevent loose joints, exhaust leaks and rattles.

Arrow A shows the expanded pipe and the preinstalled exhaust clamp being brought up to the corresponding pipe.

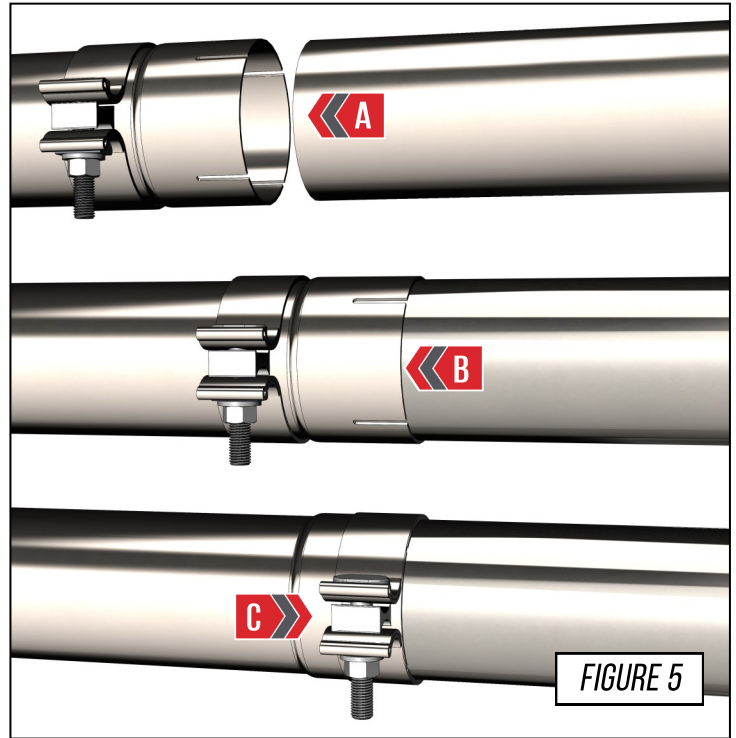
Arrow B shows the overlapping pipe installed correctly over the corresponding pipe.

Arrow C shows the exhaust band clamp being brought to the edge of the expanded pipe.



NOTES:

- **Do not** fully torque any exhaust clamp until the entire exhaust has been installed and adjusted.
- Torque specification is a **minimum** of 60 ft/lbs



STEP 6



4 DOOR / JLU - ONLY



If installing the AWE mid pipe onto a 4 door, install the straight tube (**D58**) onto the AWE front pipe, as shown in **Figure 6**.



2 Doors will NOT use this pipe.

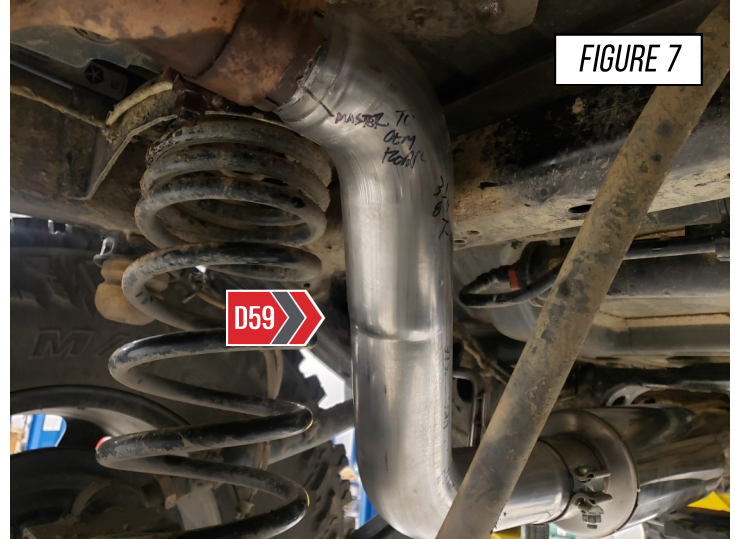


STEP 7

Position the AWE over axle tube (**D59**) by first inserting the hanger bar into the OE rubber hanger, then slip the AWE tube together, as shown in **Figure 7**.



If **ONLY** installing the AWE mid pipe, insert AWE tube into OE axle back and tight all clamps to at least 60 ft-lbs.



ENJOY!



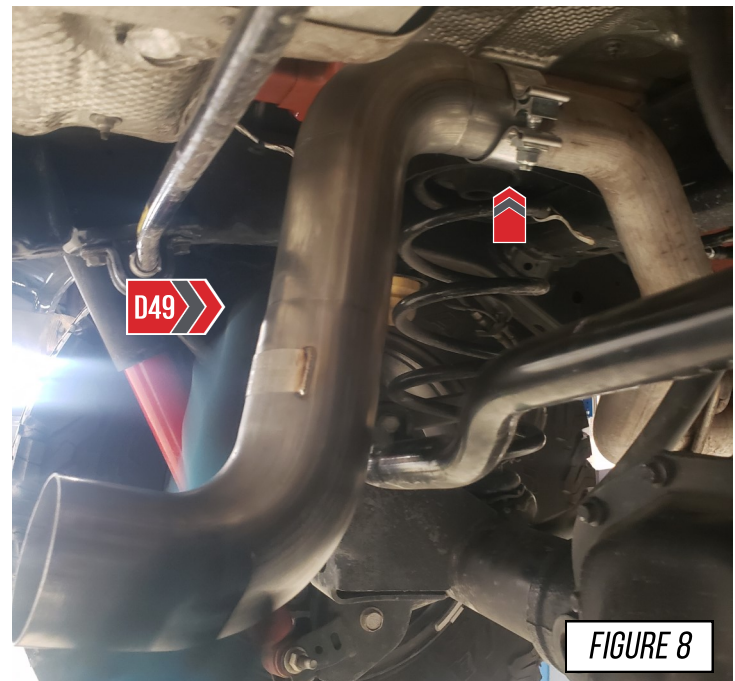
STEP 8



AWE axle back install ONLY

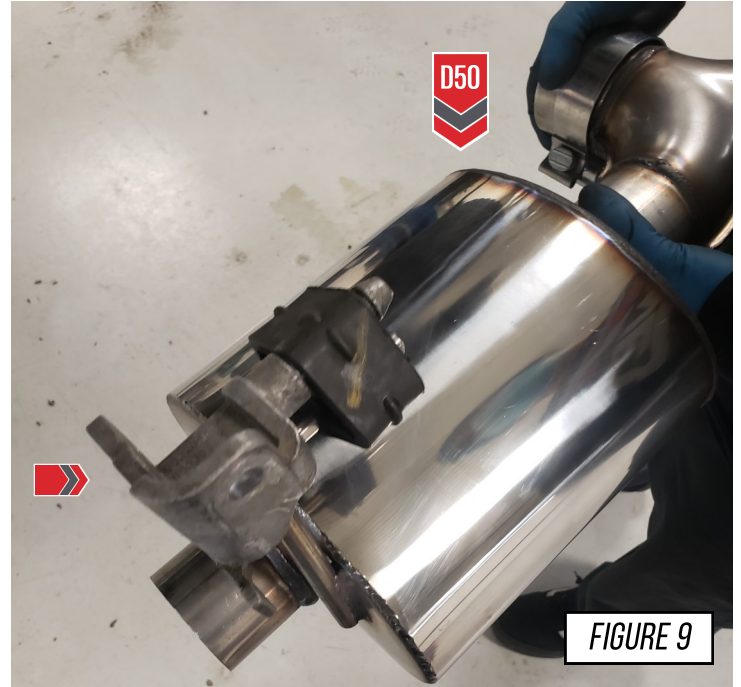


With a supplied clamp, insert the AWE axle back inlet (**D49**) into the mid pipe, as shown in **Figure 8**.



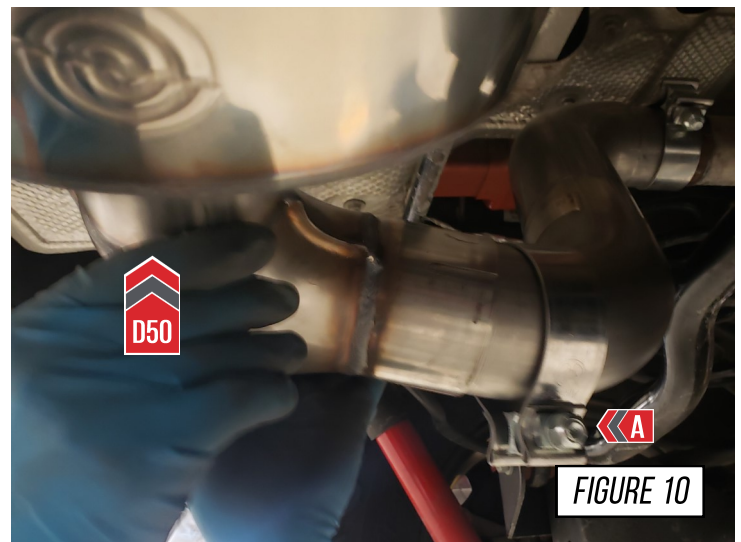
STEP 9

Install the OE driver and passenger hangers onto the AWE twin HR assembly (**D50**), as shown in **Figure 9**.



STEP 10

With a supplied clamp (**A**), insert the AWE twin HR assembly (**D50**) into the inlet pipe, as shown in **Figure 10**.



STEP 11

Re-attach the OE hanger to the chassis using the same hardware removed earlier, as shown in **Figure 11-1** and **11-2**.

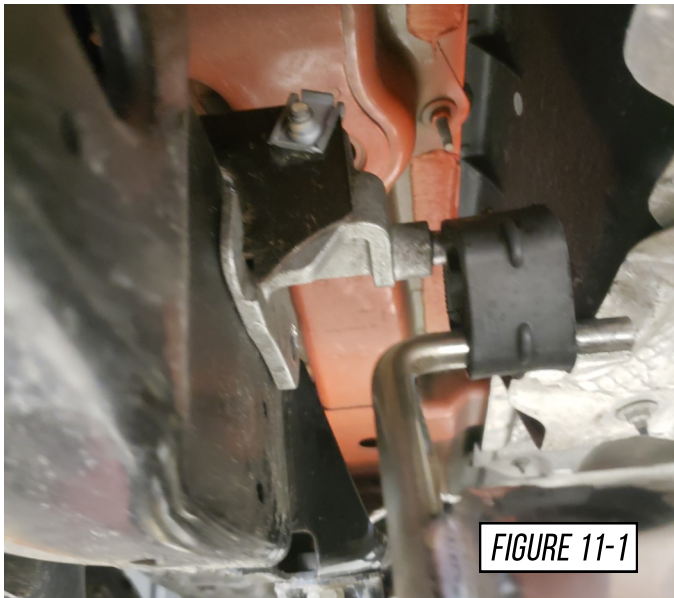


FIGURE 11-1

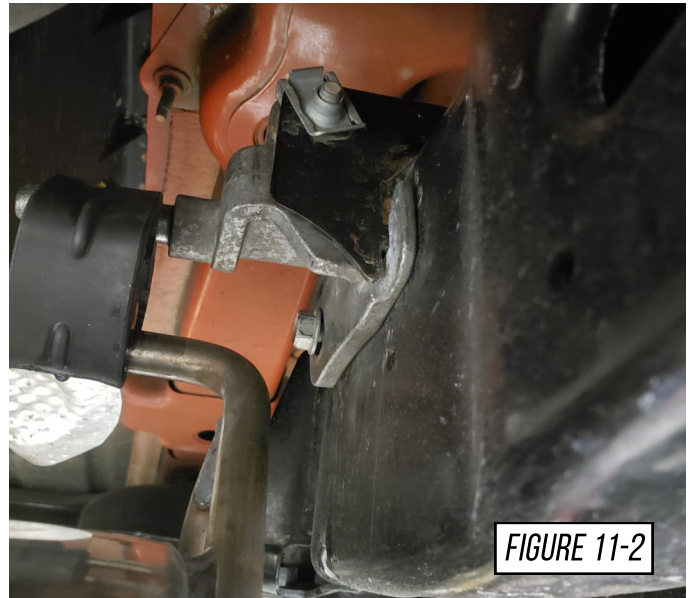


FIGURE 11-2

STEP 12

Snug the two clamps enough to keep the pipe from moving while aligning the rest of the system, as shown in **Figure 12**.

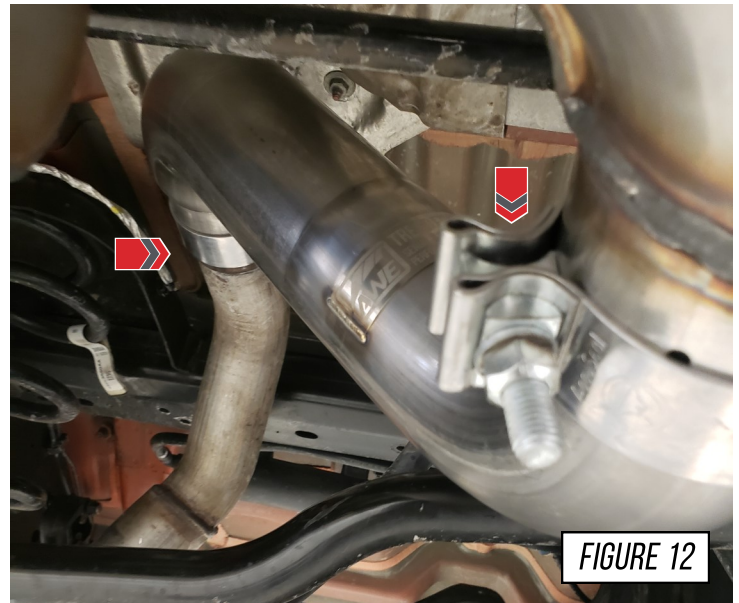
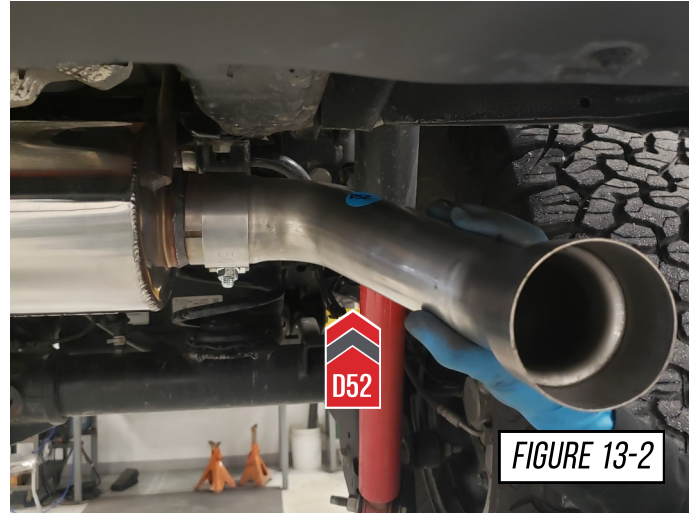
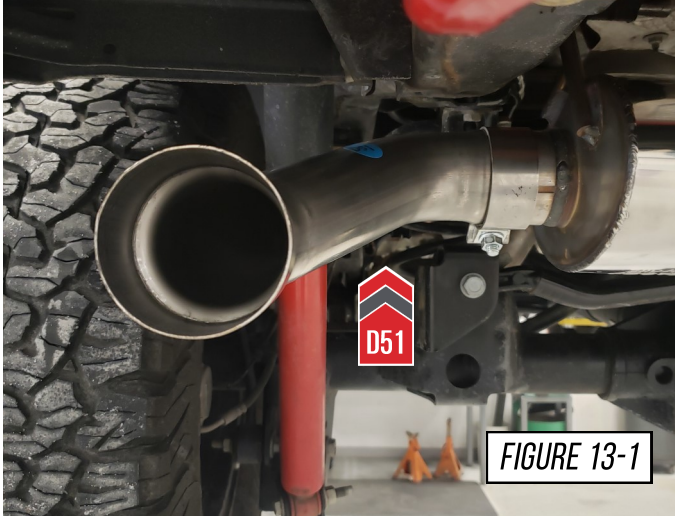


FIGURE 12

STEP 13

Install the AWE driver (D51) and passenger (D52) side tubes, with the supplied clamps, as shown in Figure 13-1 and Figure 13-2.

Note: Only snug the clamps enough to hold the weight of the tube, while you align the system.



STEP 14

It is crucial to install each section and exhaust band clamps correctly to prevent loose joints, exhaust leaks and rattles.

Arrow A shows the expanded pipe and the preinstalled exhaust clamp being brought up to the corresponding pipe.

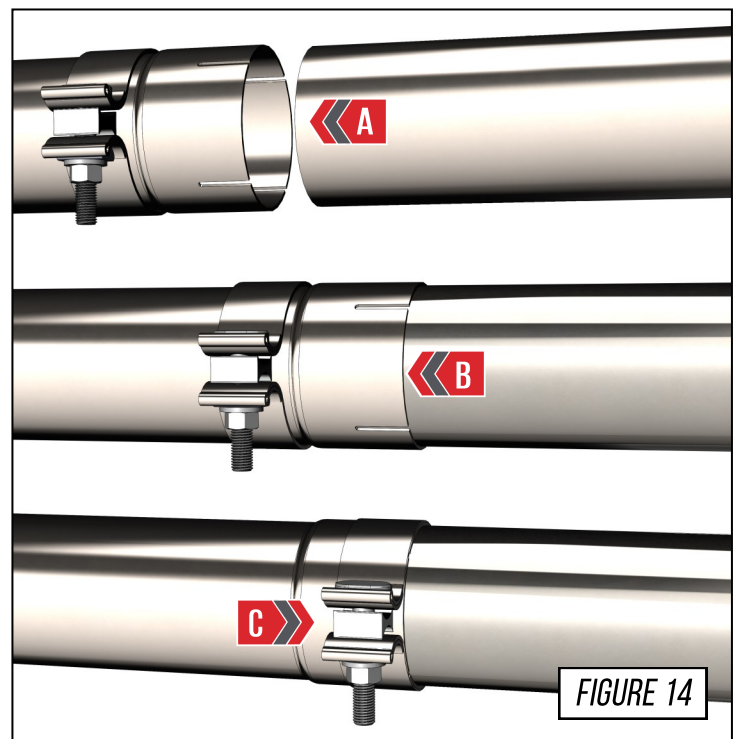
Arrow B shows the overlapping pipe installed correctly over the corresponding pipe.

Arrow C shows the exhaust band clamp being brought to the edge of the expanded pipe.



NOTES:

- **Do not** fully torque any exhaust clamp until the entire exhaust has been installed and adjusted.
- Torque specification is a **minimum** of 60 ft/lbs



STEP 15

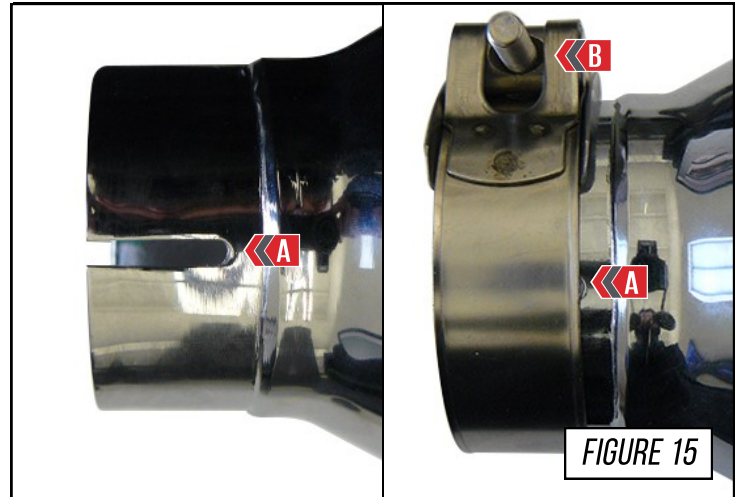
For the best tip fitment, align the barrel style tip clamp to cover *only* the slot, shown by **Arrow A**

Torque the tip clamp to 18 ft./lbs.



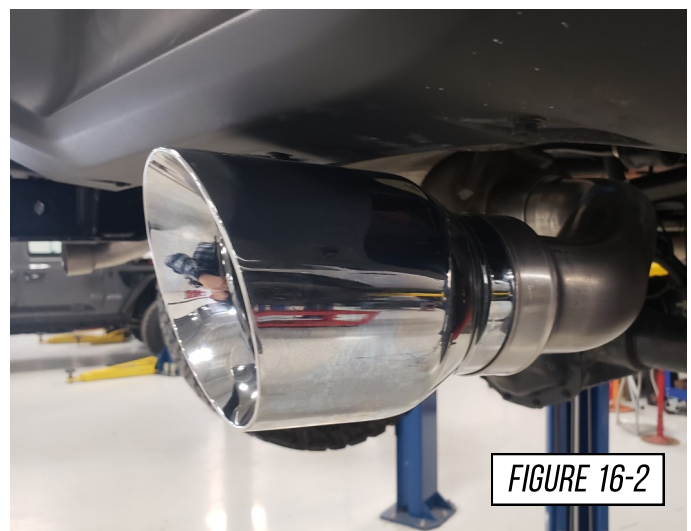
NOTES:

- It is required to apply anti-seize to the threads to prevent thread binding, shown by **Arrow B**
- It is okay to have the clamp extend beyond the edge of the tip inlet.



STEP 16

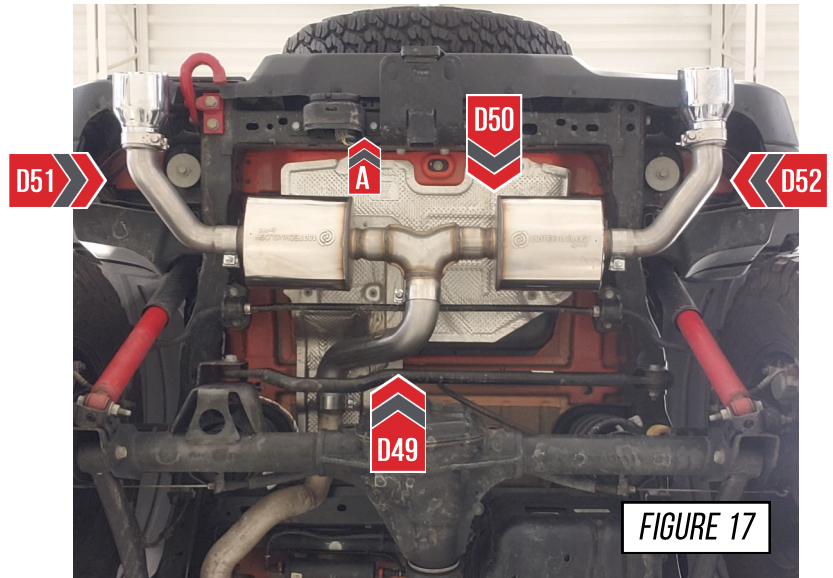
Install the AWE tips onto the axle back, snug the clamps in place, as shown in **Figure 16-1** and **16-2**.



STEP 17

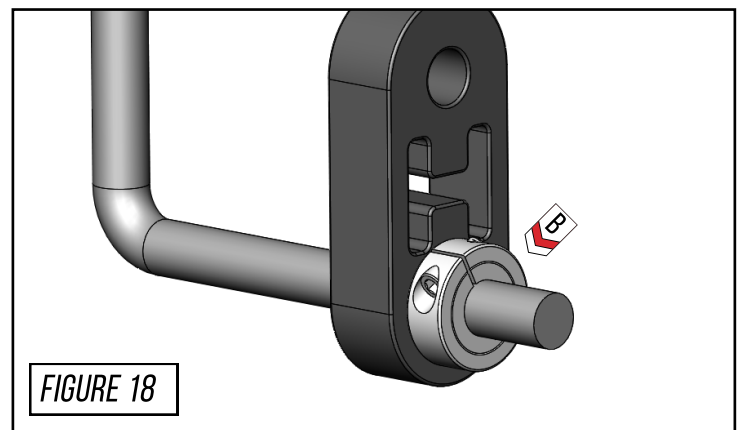
Check for proper clearance and tighten all clamps in the system to at least 60 ft/lbs, as shown in **Figure 17**.

Note: It is important to align the HR assembly (**D50**) parallel to the rear cross brace. Shown by arrow **A**



STEP 18

For the rear sections, hanger bar collar clamps are provided to prevent side to side movement of the exhaust system. After sliding the exhaust hanger bar through the OEM grommet, install the collar clamp on the outside end of the bar as shown in **Figure 18**



ENJOY!



STEP 19



AWE Trail Systems ONLY



Install the AWE Trail over axle (**D57**) by installing it from the rear over the axle, as shown in **Figure 19-1**. Then attach the OE rubber hanger (**A**) then press the slip fit together, as shown in **Figure 19-2**.

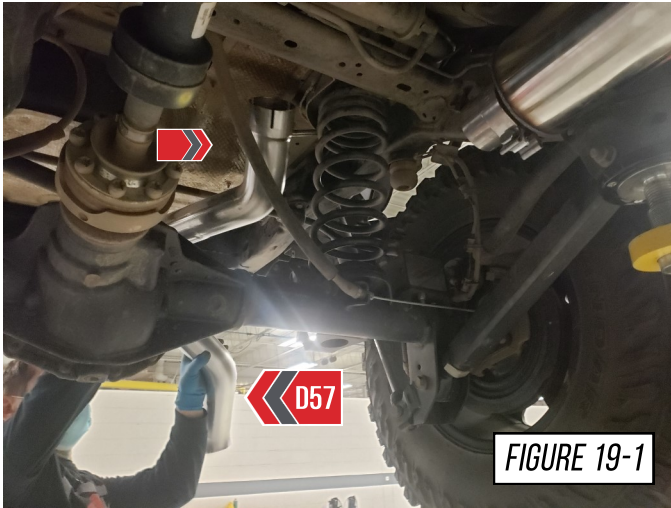


FIGURE 19-1

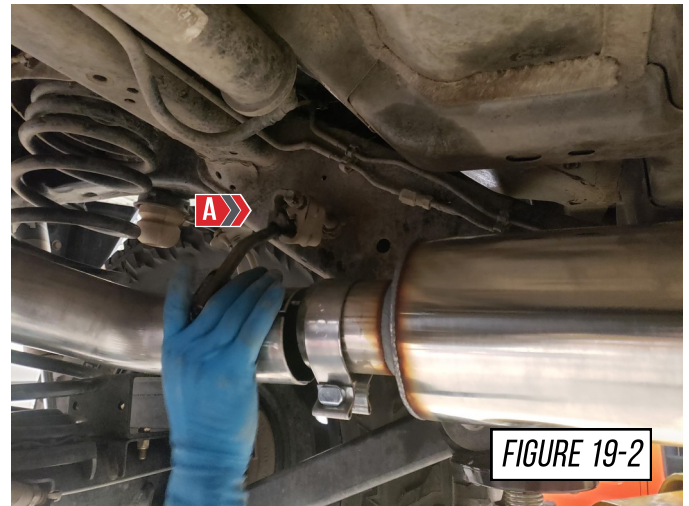


FIGURE 19-2

STEP 20

Make the OE hanger (**A**) and the AWE hanger bar (**B**) as close to parallel as possible, as shown in **Figure 20**. This will help to get correct fitment.

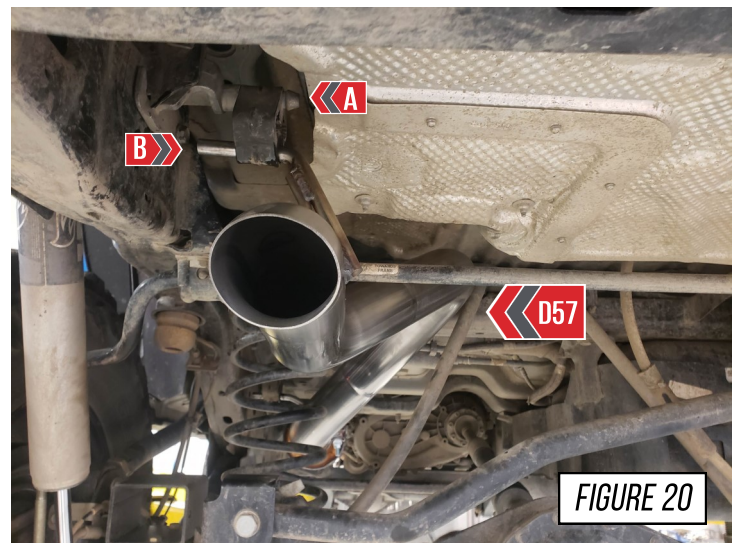


FIGURE 20

STEP 21

It is crucial to install each section and exhaust band clamps correctly to prevent loose joints, exhaust leaks and rattles.

Arrow A shows the expanded pipe and the preinstalled exhaust clamp being brought up to the corresponding pipe.

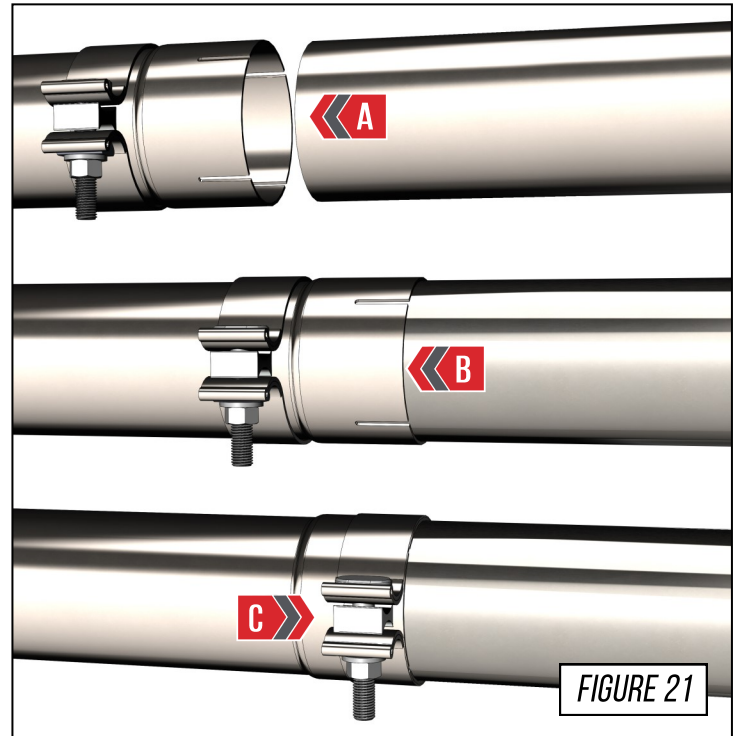
Arrow B shows the overlapping pipe installed correctly over the corresponding pipe.

Arrow C shows the exhaust band clamp being brought to the edge of the expanded pipe.



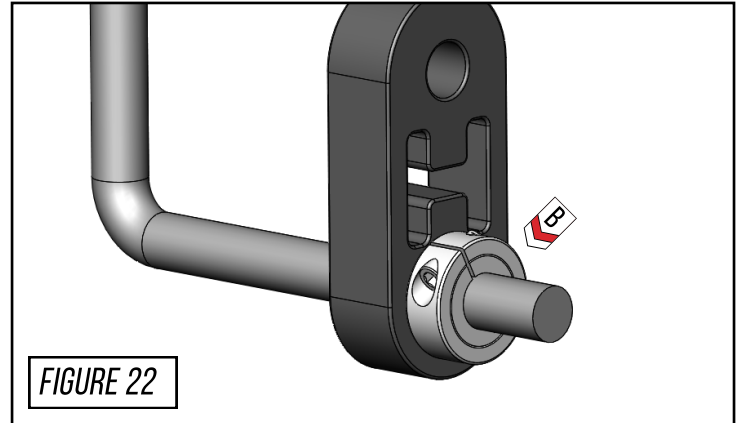
NOTES:

- **Do not** fully torque any exhaust clamp until the entire exhaust has been installed and adjusted.
- Torque specification is a **minimum** of 60 ft/lbs



STEP 22

For the rear sections, hanger bar collar clamps are provided to prevent side to side movement of the exhaust system. After sliding the exhaust hanger bar through the OEM grommet, install the collar clamp on the outside end of the bar as shown in **Figure 22**



STEP 23

With the correct fitment, install the supplied hanger clamps onto the 2 locations marked by (B), as shown in **Figure 23**.

Check for proper clearance and tighten all clamps in the system to at least 60 ft/lbs.

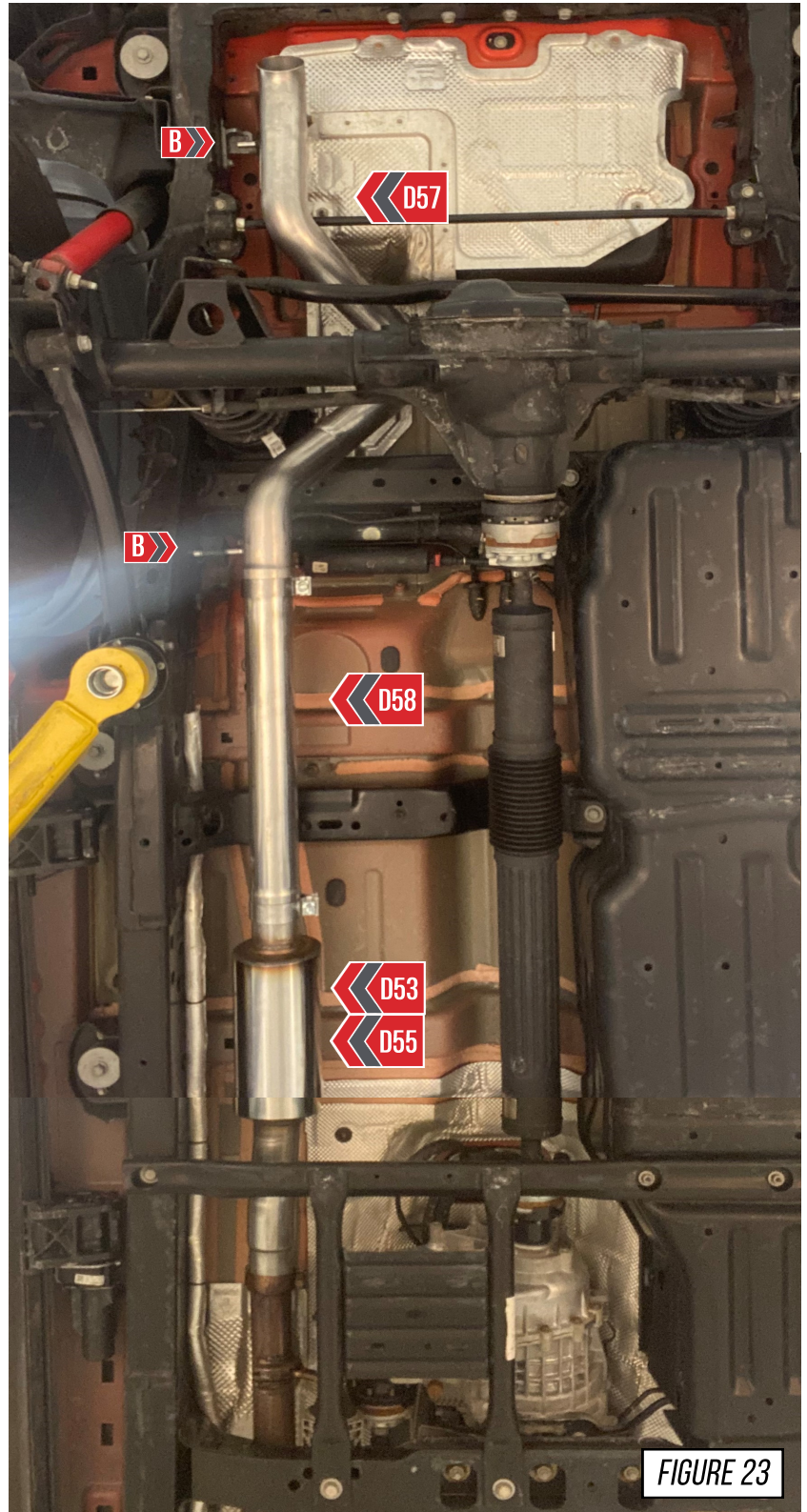


FIGURE 23

ENJOY!



TROUBLESHOOTING

Issue	Solution
Exhaust is not fitting correctly	Most fitment issues are due to improperly adjusted exhaust. This includes tip fitments and rattling due to chassis contact. Check out our fitment guide for more installation tips.
Wrong or missing parts	Double check the parts list for your system and compare them with what you received. Fill out our contact form, found below and let us know what parts you need.

CARE

Once installed properly, your AWE exhaust will provide years of trouble-free performance.

The exhaust volume and sound will settle with usage; 800-1000 miles is required to break-in new exhaust systems.

Also, please note that the rear **180Technology®** resonator has a small drain hole to allow condensation to escape. Water drops from this area are normal.

Periodic cleaning of exhaust tips is necessary to maintain proper finish, especially in areas prone to road salt and caustic deicing solutions. Use a mild soap and water solution or car wax to clean the finish. Avoid using abrasive polishes, as they can scratch the finish.

Any questions or comments,
please do not hesitate to contact us:

AWE
199 Precision Drive
Horsham, PA 19044
215-658-1670
[CONTACT FORM](#)

WARRANTY

Up-to-date warranty information is found [HERE](#).