

VISION X OPTIMUS ROUND

Installation Instructions & User's Manual



FEATURES

- 1) Single 10-Watt LED Produces 693' of Usable Light
- 2) Integrated Electronic Thermal Management (ETM)
- 3) Unmatched Distance In a Light This Size
- 4) PWM Integrated Dimming Circuitry

OPTIMUS XIL-OPR100 SERIES SPECIFICATIONS

- | | |
|-------------------|--------------------------------|
| 1) Warranty | : Extended |
| 2) Housing Colors | : Black, Chrome, Silver, White |
| 3) Beam Patterns | : 10°, 20°, 40°, 60° |
| 4) Mounting Depth | : 3.80" |
| 5) LED Lifespan | : 50,000 Hours |

Vision X Lighting
 901 Algona Blvd N. STE F
 Algona, WA 98001 USA
www.VISIONXUSA.com

XIL-OPR100 Series Includes

1 LED Light Pod




MOUNTING Qty: 1

2 Pigtail



WIRING Qty: 1

3 Allen Key (5mm)



MOUNTING Qty: 1

4 Hex Head Bolt (5mm)



MOUNTING Qty: 1

5 Washer (5mm)



MOUNTING Qty: 1

6 Nylock Nut (5mm)



MOUNTING Qty: 1

VISION X OPTIMUS ROUND

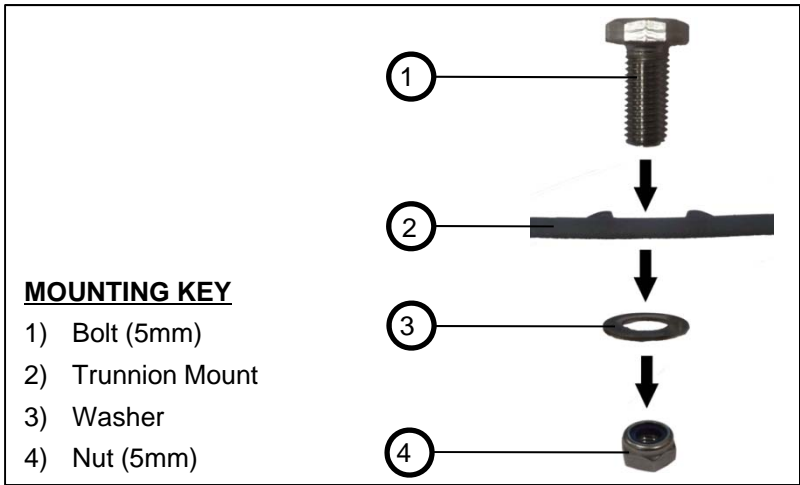
WARNINGS

As with many other high-tech products, this VISION X LED requires a bit of attention before you can use it. Please read the accompanying information carefully first.

- 1) Don't stare directly into the light or shine directly into the eyes of another person as this may cause temporary loss of vision.
- 2) Never disassemble the products, as all parts must be factory serviced to insure proper operation.
- 3) Don't interchange the parts inside this light with other Vision X products.
- 4) The LED light is to be mounted on the vehicle only in a vertical, bottom-mounting, or in a suspended position.
- 5) After turning on the light, the body might be hot enough to warrant a burn risk. Be careful when you touch the body after turning on the light for a long period of time.
- 6) If there are any problem in the light, please contact the agent first. Repair must be carried out by qualified or properly trained professionals.
- 7) Use the supplied wire harness for electrical installation.

The LED light must not adversely affect the performance of low beam, high beam, engine cooling or the driver's view.

Mounting The Light



Vision X recommends the use of liquid thread-locker, or Locktite, to ensure every bolt and nut are safely secured

PREPARATION

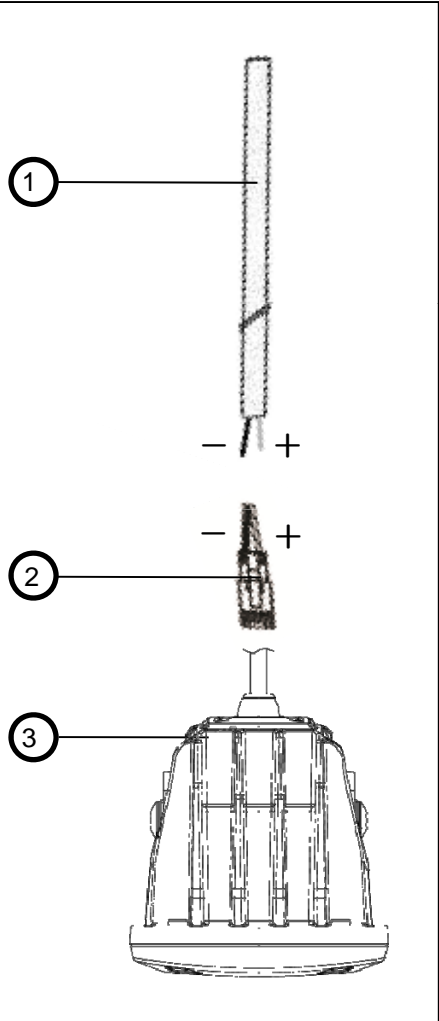
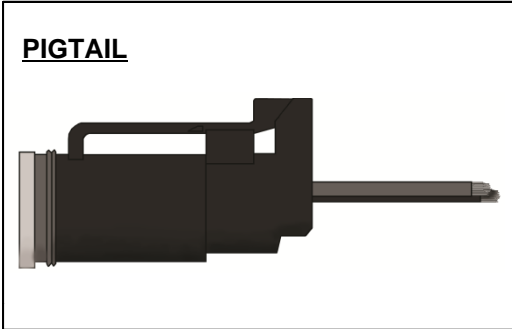
- 1) We recommend completely reading instructions before installing.
- 2) Consult your local or state regulatory agency regarding the use of LED lighting.
- 3) The placement of LED lighting should not restrict airflow to the radiator or block head lamps, turn signals, or parking lights.

MOUNTING INSTALLATION

- 1) First, place the light on the location where it will be mounted.
- 2) Next, determine where the 5mm bolt will be placed, and mark where the bolt location will be.
- 3) Drill a hole for the 5mm bolt.
- 4) Place the light over the hole, and then slide the bolt through the drilled hole.
- 5) Slide the washer on the opposite side of the drilled hole followed by the nut, and screw until secure.

VISION X OPTIMUS ROUND

Wiring The Light



COMPONENTS KEY

- 1) Wiring Harness
- 2) Pigtail
- 3) LED Light

WIRING INSTALLATION

- 1) Disconnect the existing factory standard fog light.
- 2) Connect the positive (red) Pigtail wire to the positive wire of your previous fog light wiring harness. Repeat this step for the negative Pigtail wire (black) as well.
- 3) Now that the wire is connected to the pigtail it is ready to plug into the LED light for use.

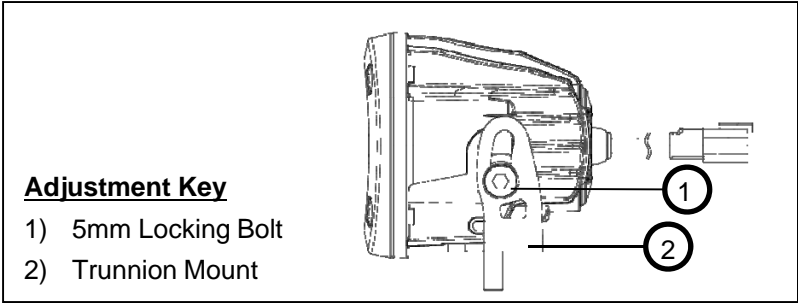
WIRING INSTALLATION SUGGESTIONS

- Vision X recommends professional installation for factory replacement LED lights using a Pigtail.
- An alternative for those less experienced at installing LED lights are recommended to purchase the Optimus Kit for easier installation.



VISION X OPTIMUS ROUND

Adjusting The Light



Adjustment Key

- 1) 5mm Locking Bolt
- 2) Trunnion Mount

LIGHT ANGLE ADJUSTMENT

- 1) Use the 5mm Allen Key to loosen each of the bolts on either side of the light.
- 2) Adjust the light until you have your desired angle.
- 3) Then, tighten the bolts to hold the desired position.

Testing The Light

Need Another Color?

Also Available In:

- Chrome
- Silver
- White

Alternative Mounting

Single Stud Mount

MIL-OPR110

TESTING THE LIGHT

1. After all connections have been made start your vehicle and test your switch to make sure it turns on the light.
2. Make sure the angle of your light is correct, otherwise adjust the light angle again.
3. Make sure no wire or other components of the harness are exposed to water spray, excessive heat, or moving parts.

CHECKING THE CONNECTIONS

1. Now, after driving for 20 miles check each bolt and nut to determine that each are properly fastened.

MAINTENANCE

- 1) All VISON X models have been designed for maintenance free use. In the case a LED lamp or other part replacement becomes necessary, please contact your authorized service center.

Vision X Lighting
 901 Algona Blvd N. STE F
 Algona, WA 98001 USA
www.VISIONXUSA.com