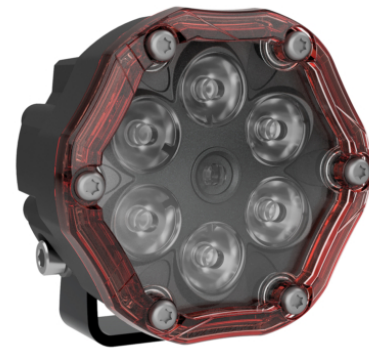


Round LED Off Road Warning Light - Model Trail 6 Flash

PRODUCT INFORMATION

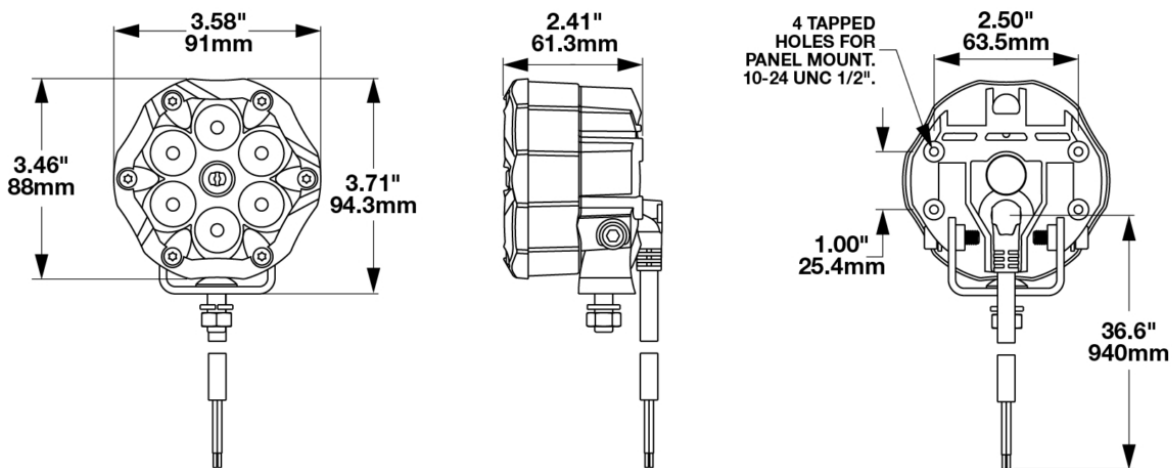
Description	Appearance Kit - RED
Product Weight	0.40 lbs / 0.18 kgs
Shipping Weight	0.40 lbs / 0.18 kgs

TRAIL 6 FLASH.



TRAIL 6 FLASH.

PRODUCT DIMENSIONS



Print date: 2020-08-11

© 2020 J.W. Speaker Corporation • Germantown, WI U.S.A.
www.jwspeaker.com • speaker@jwspeaker.com • 262.251.6660

Round LED Off Road Warning Light - Model Trail 6 Flash

REGULATORY STANDARDS COMPLIANCE



Buy America Standards



Eco Friendly

APPLICATIONS



PRODUCT WARNINGS

For California residents:

⚠ WARNING: Cancer and reproductive harm - www.P65Warnings.ca.gov.

⚠ AVERTISSEMENT: Cancer et effet nocif sur la reproduction - www.P65Warnings.ca.gov.

ACCESSORIES



Part Number
6600801
COLOR MONITOR, 5"



Part Number
8001661
Trail 6 Bezel with
Center Camera Mount



Part Number
8001671
Trail 6 Bezel with Side
Mount Camera



Part Number
8200563
Appearance Kit - White
ABS

Print date: 2020-08-11

© 2020 J.W. Speaker Corporation • Germantown, WI U.S.A.
www.jwspeaker.com • speaker@jwspeaker.com • 262.251.6660

Round LED Off Road Warning Light - Model Trail 6 Flash

RELATED PRODUCTS



Part Number
0555363
12V LED Safety &
Warning Light



Part Number
8200543
APPEARANCE KIT -
BLACK