



SIGNATURE SERIES

JK JEEP

FRONT BUMPER

**INSTALLATION
INSTRUCTIONS**



****PLEASE READ THROUGH THE INSTRUCTIONS BEFORE
BEGINNING ANY PART OF THE INSTALLATION PROCESS****



Begin the installation of your new LoD signature series shorty front bumper by unscrewing the 4 plastic screws securing the factory air dam to the bottom of your front bumper. a phillips screwdriver will be needed for this job.



2. Once unscrewed, you should be able to pull out both the plastic screws and insert with little effort but if you find the screws just spin, you will need to wedge a flathead screwdriver between your JK's plastic bumper and air dam to help you remove it.



3. Now, climb under the front of your JK Jeep Wrangler and using a philips screwdriver, remove the two remaining plastic screws securing the air dam to the lower cross member. As before, if these screws spin, just use a flathead screwdriver to pry them out.

4.

IF YOUR JK JEEP CAME EQUIPPED WITH FACTORY FOGLIGHTS, CLIMB UNDER THE FRONT OF YOUR JEEP, LOOK UP BEHIND THE FRONT BUMPER, LOCATE THE WIRING HARNESS PLUG, LIFT UP THE CLIP AND THEN PULL IT OFF AS SHOWN IN THIS PHOTO.



5.

USING A PAIR OF NEEDLENOSE PLIERS, PRY OFF ALL THE FOGLIGHT WIRING HARNESS CONNECTORS ON THE BACK OF YOUR JEEP JK WRANGLER'S FRONT BUMPER.



6.

USING AN 18MM SOCKET, REMOVE THE 4 BUMPER MOUNTING NUTS (2 ON EACH SIDE) LOCATED NEXT TO THE INSIDE OF YOUR JEEP JK WRANGLER'S FRAME RAILS AND FOG LIGHT HOLES.



7.

USING AN 18MM SOCKET, REMOVE THE 4 BUMPER MOUNTING NUTS (2 ON EACH SIDE) LOCATED NEXT TO THE OUTSIDE OF YOUR JEEP JK WRANGLER'S FRAME RAILS.



8.

REMOVE THE BACKING PLATES OFF THE BUMPER MOUNTING STUDS AS SHOWN IN THIS PHOTO.



9.

CAREFULLY PULL OFF YOUR JEEP'S FRONT BUMPER OFF THE FRAME RAILS. IF YOUR JK CAME WITH TOW HOOKS, GRAB AND USE THEM TO PULL THE BUMPER OFF THE FRAME RAILS.



10.

USING A PHILLIPS SCREWDRIVER, REMOVE THE TWO PLASTIC SCREWS SECURING THE TOP PLASTIC COVER IN PLACE.



11.

AGAIN, IF YOU FIND THAT THE SCREWS SPIN IN PLACE, USE A SMALL FLATHEAD SCREWDRIVER OR SMALL PRY BAR TO HELP YOU LIFT UP THE COVER OFF THE FRAME RAIL AND FORCE THE SCREW OUT.



12.

AGAIN, IF YOUR JEEP CAME EQUIPPED WITH FACTORY FOG LIGHTS, USE A PHILIPS SCREWDRIVER TO REMOVE THE 4 SCREWS SECURING THEM TO THE BUMPER. THEN, PULL THE FOGLIGHTS OUT AND SET THEM ASIDE UNTIL YOU ARE READY TO INSTALL THEM IN YOUR NEW BUMPER.

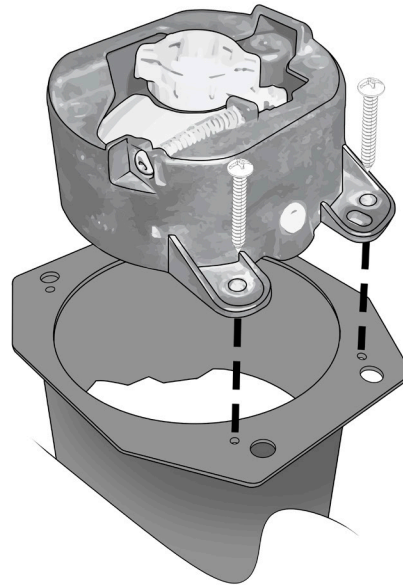
****IF INSTALLING ON A 2012+ WRANGLER REFER TO END OF INSTRUCTIONS STEP 1A FOR VACUUM RELOCATION****



13.

SECURE YOUR JEEP JK FACTORY FOG LIGHTS ONTO THE LIGHT BEZELS IN THE BUMPER. YOU WILL NEED A 1/4" SOCKET FOR THIS JOB.

**USE THE #8 SCREWS IN THE SMALL HOLES, AS THEY ARE SELF-TAPPING*



14.

MAKE SURE THAT THE ADJUSTMENT SCREW IS POINTING DOWN AND THEN INSTALL YOUR FACTORY JK WRANGLER FOG LIGHTS TO THE STUDS ATTACHED TO THE BACK SIDE OF YOUR STUBBY BUMPER.



15.

PLACE THE LOD SIGNATURE SERIES WINCH PLATE IN BETWEEN THE FRAME RAILS OF YOUR JEEP JK AND LOOSELY SECURE IT IN PLACE USING THE FLAGGED NUT AND BOLT AND WASHER PROVIDED AS SHOWN IN THE PICTURE.



16.

SLIDE ONE OF THE STEEL SPACERS IN BETWEEN THE LOD SIGNATURE SERIES WINCH PLATE AND FRAME RAIL BUMPER MOUNT ON YOUR JEEP JK. THEN, INSERT THE LONG BOLTS AND WASHERS PROVIDED WITH THE BUMPER THROUGH THE MOUNTING HOLES AND SPACES AS SHOWN IN THIS PICTURE.



17.

REPEAT **STEP #16** UNTIL ALL THE STEEL SPACERS ARE INSTALLED IN BETWEEN THE LOD SIGNATURE SERIES WINCH PLATE AND FRAME RAIL BUMPER MOUNT AND THAT ALL OF THE BOLTS ARE STICKING THROUGH THEM AS SHOWN IN THE PICTURE.



18.

WITH THE HELP OF A FRIEND, CAREFULLY PLACE YOUR NEW LOD SIGNATURE SERIES SHORTY BUMPER ONTO THE FRAME RAILS OF YOUR JEEP AND SLIDE THE MOUNTING BOLTS THROUGH THE HOLES. REACHING FROM THE BACK, LOOSELY SECURE IT IN PLACE USING THE NUTS PROVIDED.



19.

USING A 3/4" SOCKET AND WRENCH, TIGHTEN UP THE (4) MOUNTING BOLTS AND NUTS ON THE INSIDE OF YOUR JEEP JK'S FRAME RAILS AS SHOWN IN THIS PICTURE.



20.

ACCESSING THE BOLTS AND NUTS THROUGH THE ACCESS HOLES ON YOUR LOD SIGNATURE SERIES BUMPER, TIGHTEN UP THE (4) MOUNTING BOLTS AND NUTS LOCATED ON THE OUTSIDE OF YOUR JEEP'S FRAME RAILS USING A 3/4" SOCKET AND WRENCH.



21.

USING A 3/4" SOCKET, TIGHTEN UP THE LOD SIGNATURE SERIES WINCH PLATE FRAME RAIL MOUNTS AS SHOWN IN THIS PICTURE.



22.

USING A PHILLIPS SCREWDRIVER, LOOSEN THE PLASTIC RETAINING SCREWS SECURING THE TOP OF YOUR GRILLE TO YOUR JK JEEP.



23.

ONCE LOOSE, THE ENTIRE PLASTIC SCREW AND EXPANSION SLEEVE SHOULD PULL UP AND OUT OF THEIR MOUNTING HOLES.



24.

ONCE LOOSE, THE ENTIRE PLASTIC SCREW AND EXPANSION SLEEVE SHOULD PULL UP AND OUT OF THEIR MOUNTING HOLES.



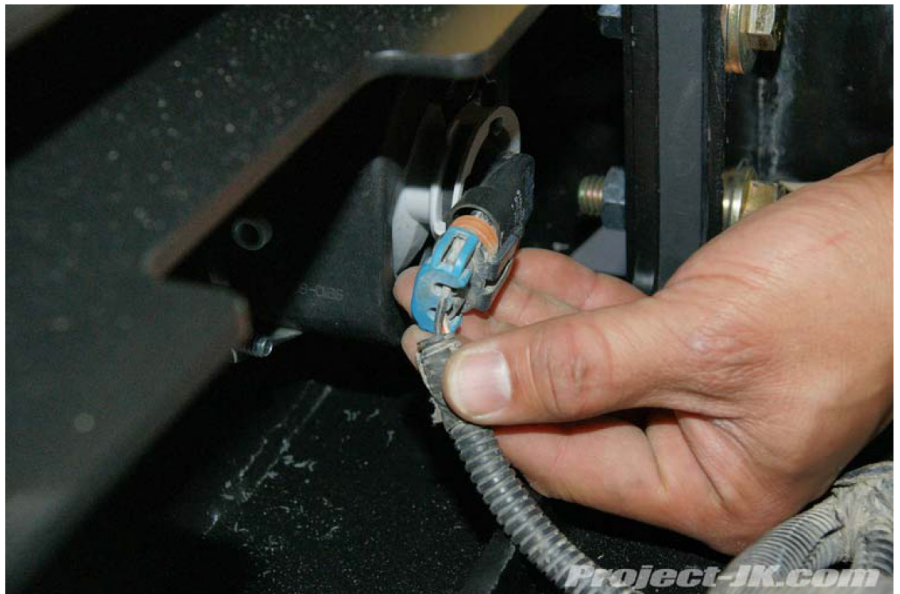
25.

SQUEEZE THE WIRING HARNESS PLUG AND PULL IT OUT OF YOUR JK JEEP'S INDICATOR LIGHT SOCKET. YOU CAN NOW PULL THE GRILLE OFF AND SET IT ASIDE FOR THE TIME BEING.



26.

PLUG YOUR JK JEEP'S FACTORY WIRING HARNESS INTO THE FOG LIGHTS.



27.

INSTALL THE FAIRLEAD ONTO THE BUMPER



28.

CAREFULLY PLACE YOUR WINCH ON TOP OF THE LOD SIGNATURE SERIES WINCH PLATE AND THEN REINSTALL YOUR JK JEEP'S GRILLE AS SHOWN IN THIS PICTURE.



29.

USING THE BOLTS AND WASHERS (PROVIDED WITH WINCH) SECURE YOUR WINCH TO THE BOTTOM OF THE LOD SIGNATURE SERIES WINCH PLATE. YOU WILL NEED A 9/16" SOCKET FOR



30.

USING A PHILIPS SCREWDRIVER, SECURE THE TOP OF THE GRILLE TO YOUR JK JEEP BY INSERTING AND SCREWING IN THE PLASTIC RETAINING SCREWS.



31.

HOLD UP THE LOD SIGNATURE SERIES SKID PLATE (**SOLD SEPARATELY**) TO THE BOTTOM OF THE BUMPER AND SECURE IT IN PLACE USING THE BOLTS AND WASHERS PROVIDED. YOU WILL NEED A 9/16" SOCKET FOR THE JOB.



32.

SECURE THE SKIDPLATE TO THE LOWER CROSS MEMBER OF YOUR JK JEEP USING THE BOLTS AND WASHERS PROVIDED. YOU WILL NEED A 9/16" SOCKET FOR THIS JOB.

****THE PASSENGER SIDE LOWER HOLE NEEDS TO BE MARKED ON THE CROSS MEMBER AND THEN DRILLED OUT WITH AT LEAST A 1/2" DRILL BIT****



33.

THIS COMPLETES THE INSTALLATION OF THE LOD SIGNATURE SERIES SHORTY FRONT BUMPER.





SIGNATURE SERIES
2012+ JK JEEP
VACUUM RELOCATION
BRACKET

INSTALLATION INSTRUCTIONS

*** SOLD SEPARATELY ***

1A.

THE 2012 JEEP WRANGLER HAS A VACUUM SWITCH LOCATED WITHIN THE FRAME RAILS. THIS VACUUM SWITCH WILL NEED TO BE RELOCATED TO ALLOW ROOM FOR THE LOD WINCH PLATE.



2A.

BEGIN BY REMOVING THE GREEN CLIP THAT SECURES THE VACUUM LINE TO THE SWITCH. SIMPLY SLIDE THE CLIP DOWN AND PULL THE LINE OFF THE SWITCH.



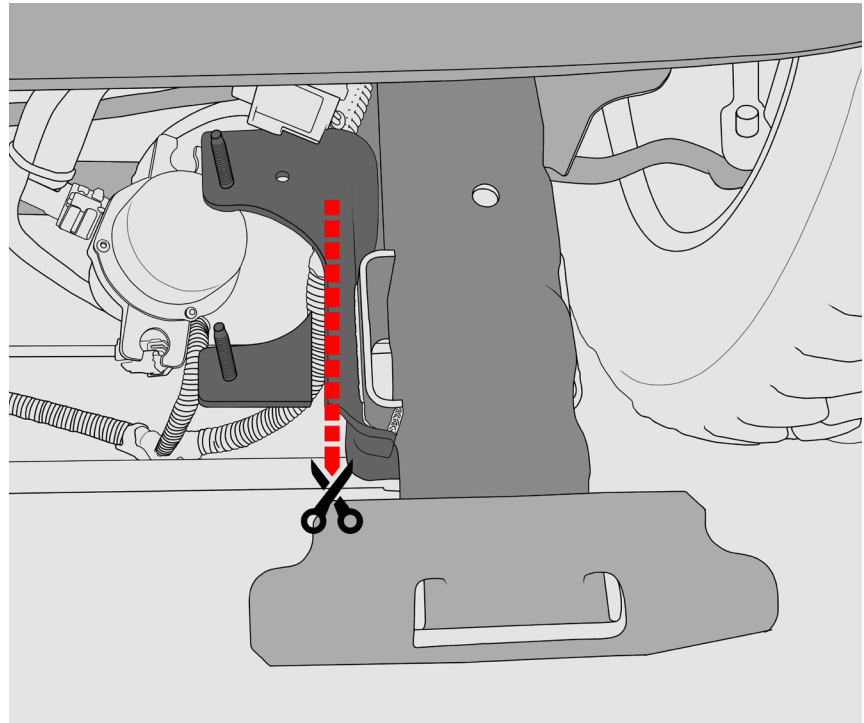
3A.

REMOVE THE TWO NUTS THAT SECURE THE SWITCH. YOU CAN LEAVE THE SWITCH WIRING CONNECTED. MOVE THE SWITCH AWAY FROM THE MOUNTING TAB WITH STUDS.



4A.

WITH THE SWITCH OUT OF THE WAY CUT OFF THE TAB THAT IS CLOSEST TO THE FRONT OF THE JEEP AS SHOWN IN THIS PHOTO, ON THE DRIVER SIDE FRAME MOUNT.



5A.

PLACE THE LOD RELOCATION BRACKET UP UNDER THE CROSS MEMBER AS SHOWN IN THE PICTURE. BOLT THE BRACKET ON USING THE BOLTS PROVIDED WITH THE KIT. THE BRACKET WILL MOUNT DIRECTLY INTO THE EXISTING HOLES SO THERE IS NO DRILLING REQUIRED.



6A.

WITH THE BRACKET INSTALLED BOLT THE VACUUM SWITCH TO THE BRACKET AS SHOWN. THE SWITCH WILL BE REPOSITIONED ON ITS SIDE IN THE NEW BRACKET.



7A.

BOLT THE SWITCH INTO PLACE ON THE BRACKET.



8A.

RE-CONNECT THE VACUUM LINES THAT WERE REMOVED EARLIER.



9A.

WHEN FINISHED THE
VACUUM SWITCH SHOULD
LOOK LIKE THE PICTURE TO
THE RIGHT.

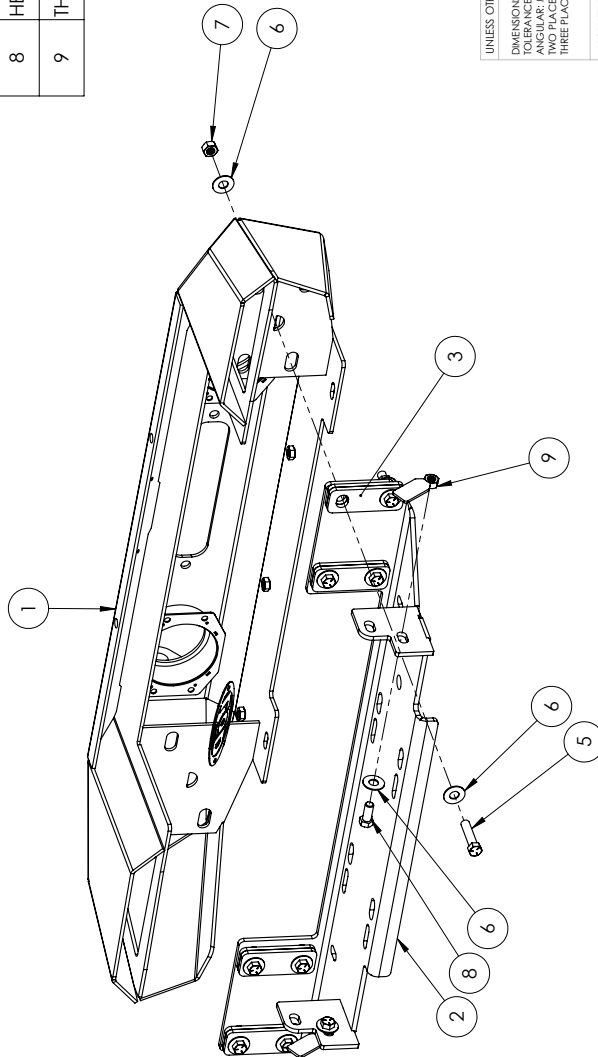
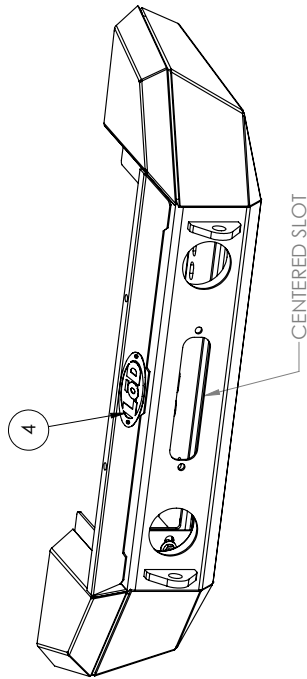
****NOW RETURN TO STEP 13
OF THE INSTALLATION****



ITEM NO.	PART NUMBER	DESCRIPTION	STANDARD NO GUARD/QTY.
1	4JFB0730-01	SIGNATURE SHORTY FRONT BUMPER WELDMENT - STANDARD	1
2	4JWP0700	WINCH PLATE	1
3	4JWP0700-02	WINCH PLATE SPACER WELDMENT	4
4	LOD Logo	Logo	1

HARDWARE

ITEM NO.	PART NUMBER	DESCRIPTION	STANDARD NO GUARD/QTY.
5	HB43143ZPGR5	HEX BOLT 7/16-14 X 2.00 HEX BOLT ZINC PLATE GR5	8
6	FW4318ZP	FLAT WASHER Ø7/16 X 1.25" ZINC PLATED	18
7	HN4314ZPGR5	HEX NUT 7/16-14 ZINC PLATE GR5	8
8	HB431416ZPGR5	HEX BOLT 7/16-14 X 1.00 HEX BOLT ZINC PLATE GR5	2
9	THN4314ZPGR5-01	TABBED HEX NUT 7/16-14 ZINC PLATE GR5	2



NOTES:

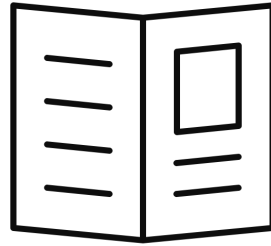
1. JFB0730 = BARE STEEL OPTION
2. JFB0731 = BLACK POWDER COAT OPTION

UNLESS OTHERWISE SPECIFIED:		NAME	DATE
DIMENSIONS ARE IN INCHES		MCH	3/9/2020
TOLERANCES UNLESS OTHERWISE SPECIFIED:		LOD LLC.	
ANGULAR	±0.015	DESCRIPTION:	
TWO PLACE DECIMAL	±0.015	SIGNATURE SERIES SHORTY FRONT BUMPER - STANDARD	
THREE PLACE DECIMAL	±0.005	DWG. NO.	
PROPRIETARY AND CONFIDENTIAL		JFB07-SEE NOTES	
THE INFORMATION CONTAINED IN THIS DRAWING IS THE SOLE PROPERTY OF LOD LLC. ANY REPRODUCTION IN ANY FORM WITHOUT THE WRITTEN PERMISSION OF LOD LLC IS PROHIBITED.		SCALE: 1:6 SHEET SIZE: B	
FINISH		REV	
SEE NOTE		B	
ECC: 1044		SHEET 1 OF 6	

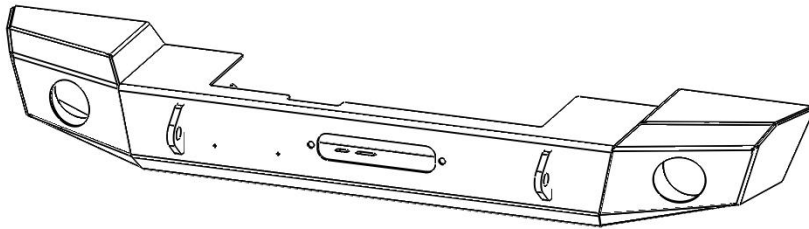


**JK Jeep
Signature Series**
Front Bumpers
Shipping Sheet
Packaged by:

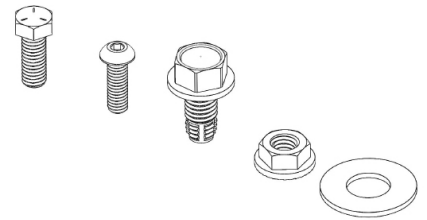
On:



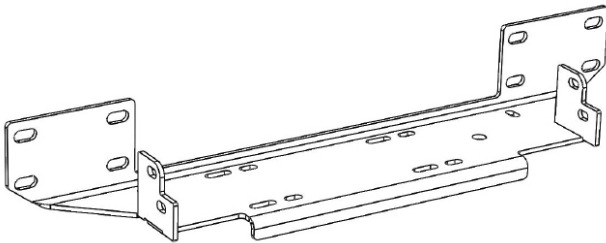
Install Instruction Booklet



Bumper - style may vary



Hardware Kit
(contents may vary)



Winchplate

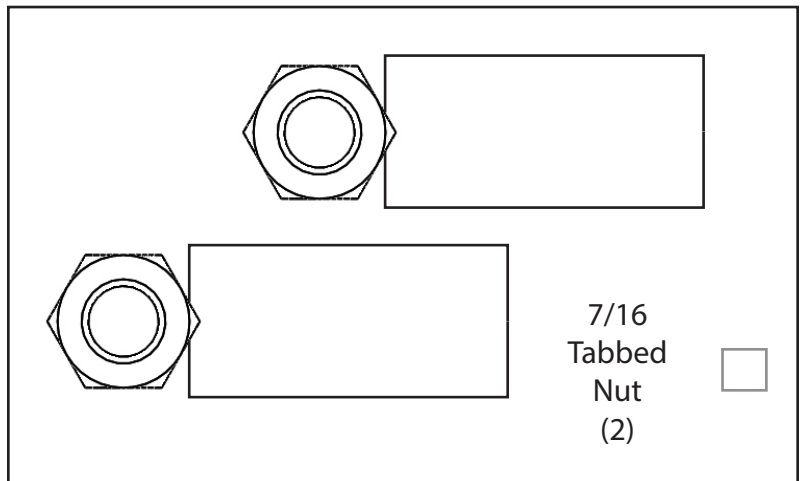
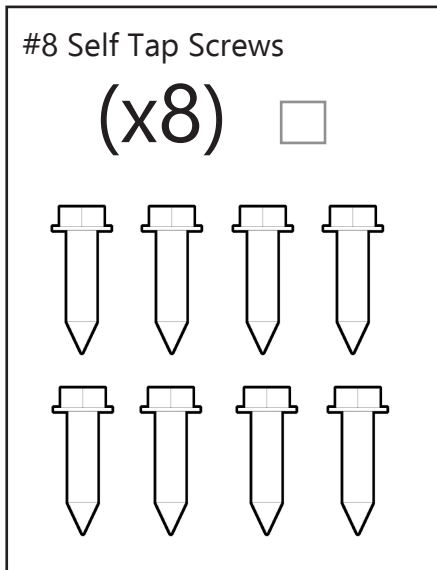
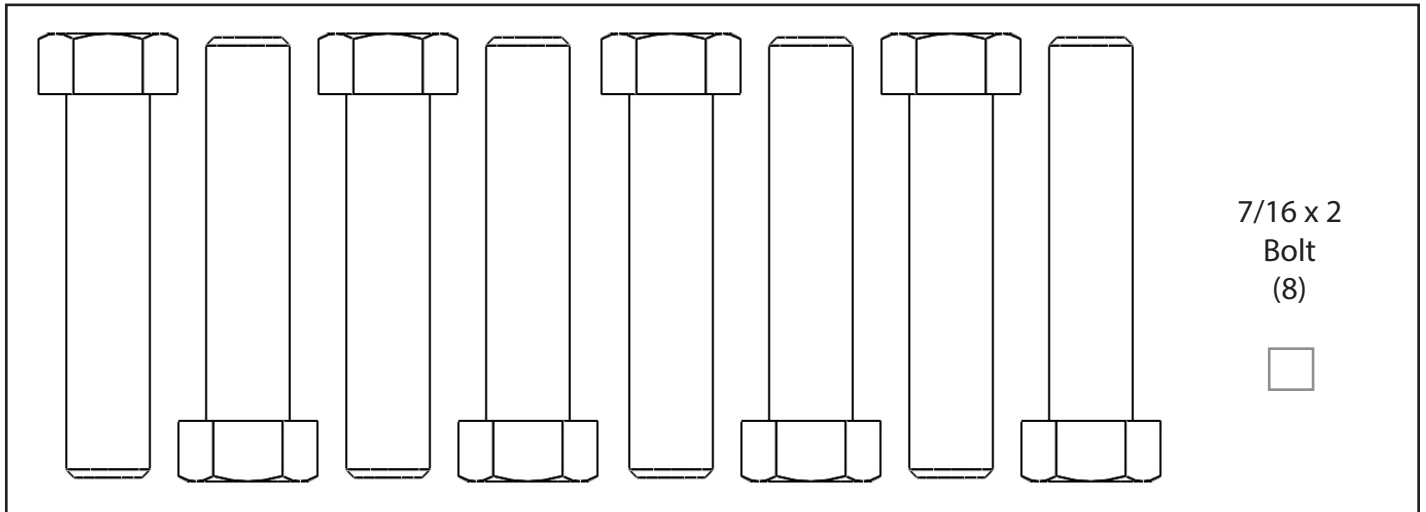
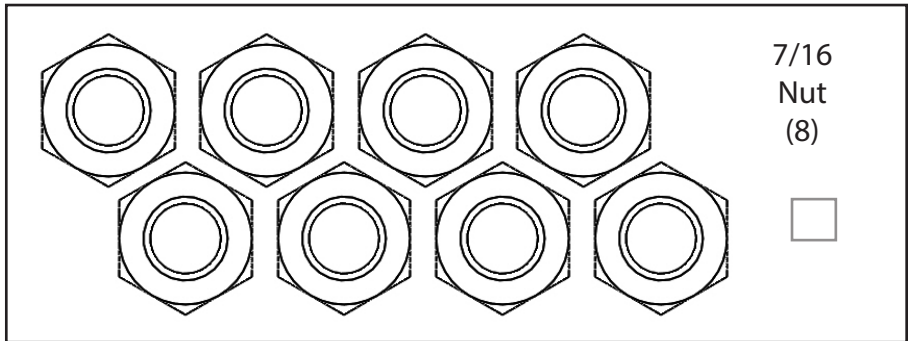
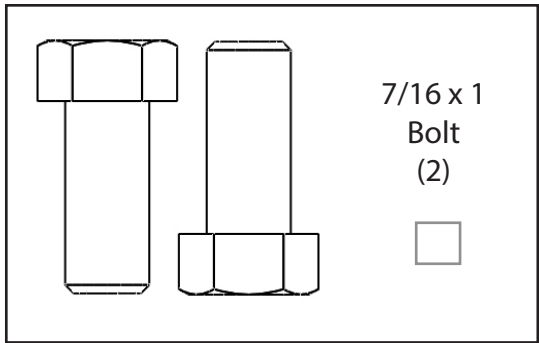


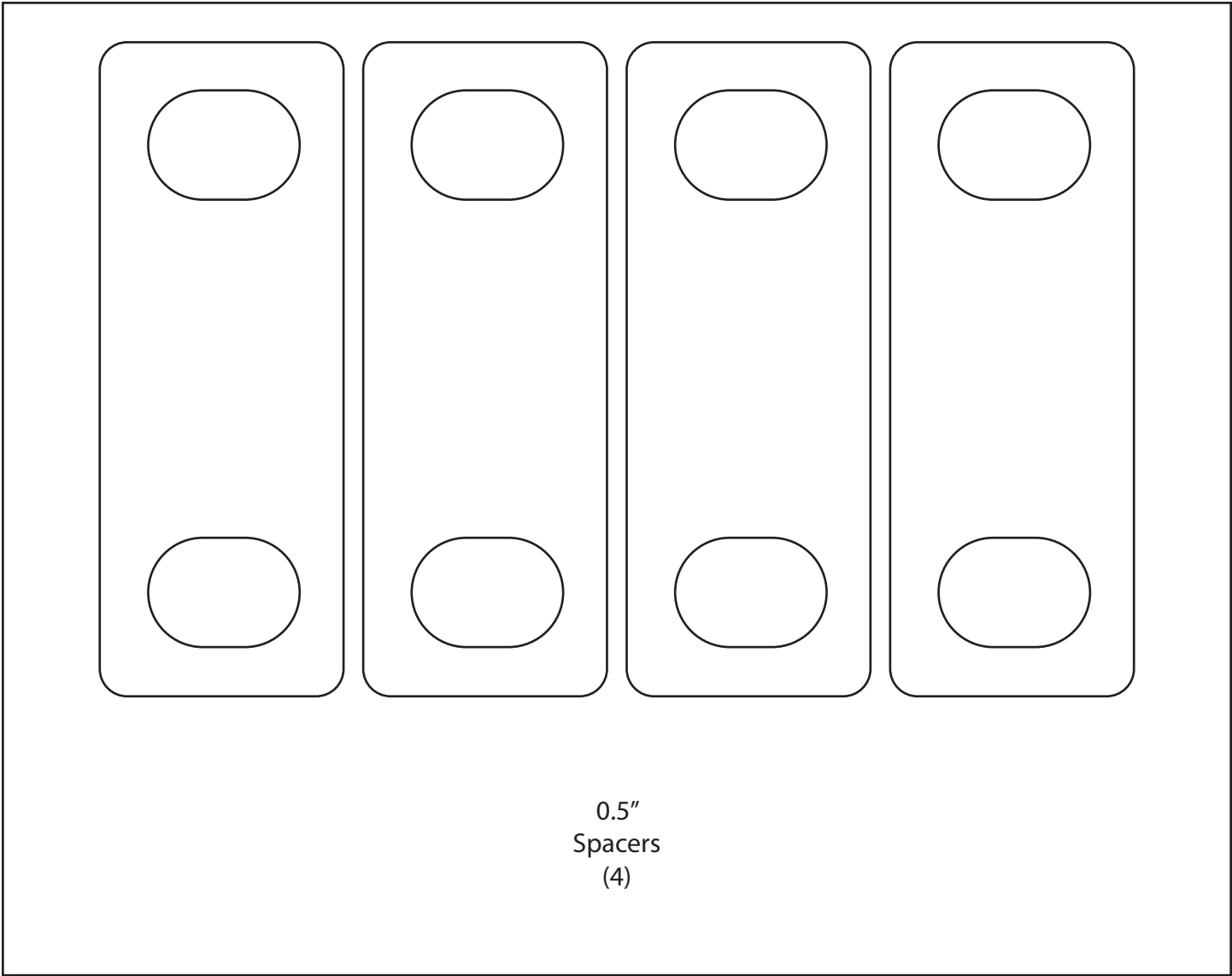


**JK Jeep
Signature Series
Front Bumper
Hardware Sheet**

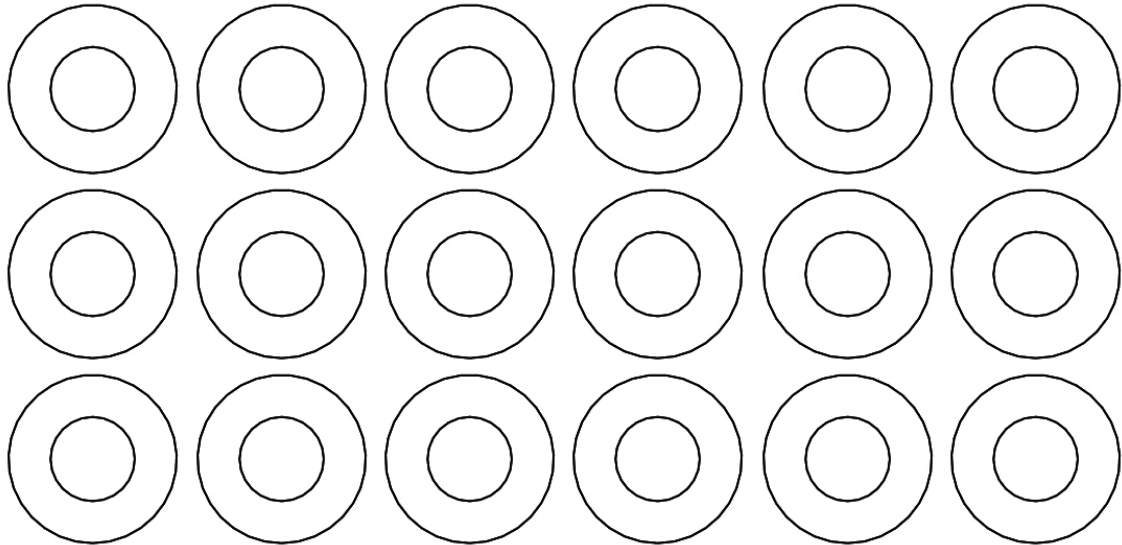
Packaged by:

On:





7/16
Washer
(18)



LoD Logo Plate

(x1)

