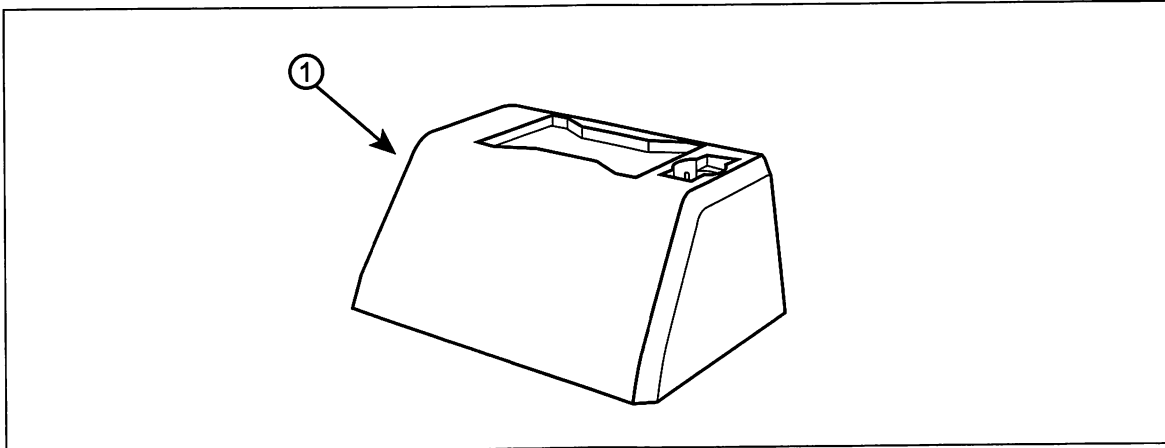




Jeep Jack Base Installation and Use Guide

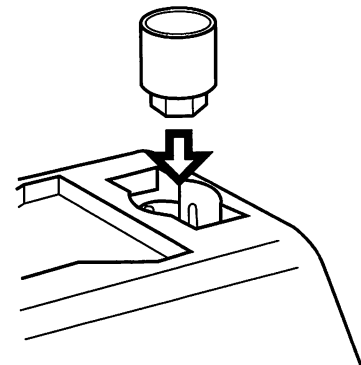
www.mopar.com



Call Out	Description	Quantity
1	Jack Base	1

Installation

Your Jack Base is designed to fit in the rear storage compartment of your vehicle. A socket pocket can be used to store the wheel key.



Jacking Instructions

Your Jack Base provides the extra height necessary for the vehicles equipped with oversize tires. Jack must be seated in formed pocket of the Jack Base for proper use. Before using the Jack Base, refer to your Owner's Manual for proper jacking instructions and precautions.

